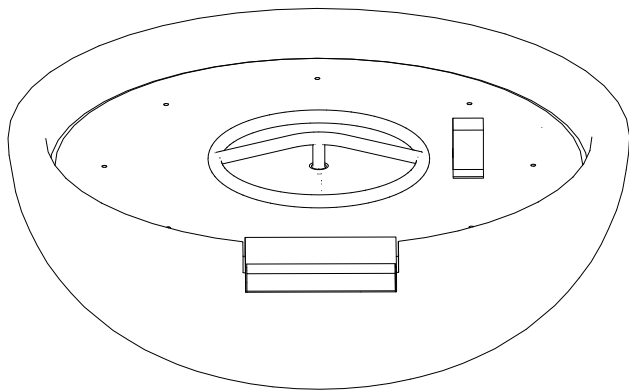
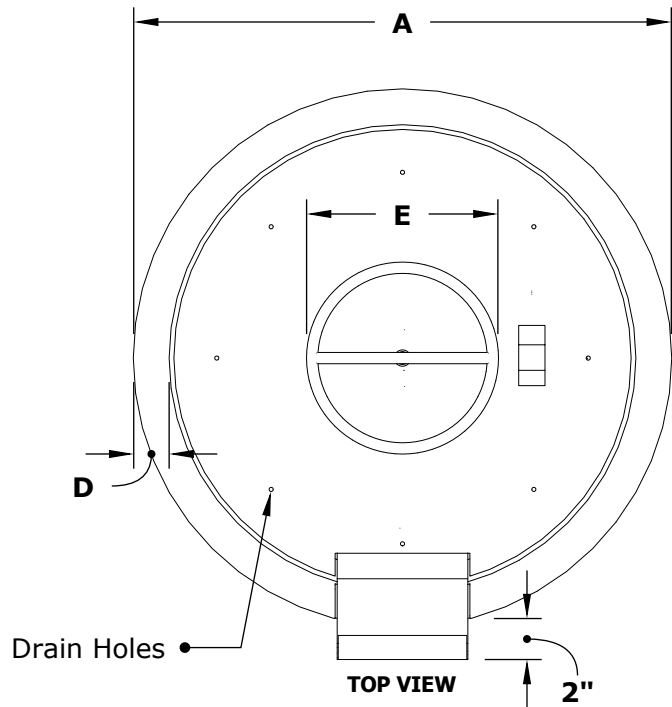


SEDONA FIRE WATER BOWL - WOOD GRAIN

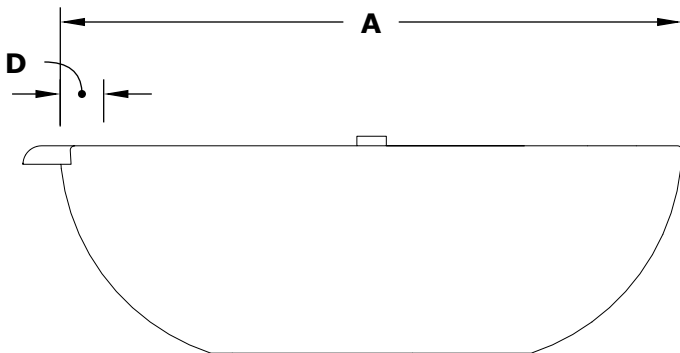


ISOMETRIC VIEW

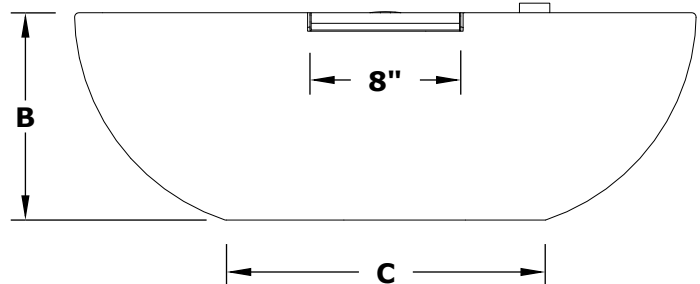


Drain Holes

TOP VIEW



RIGHT SIDE VIEW



FRONT SIDE VIEW

SKU	A	B	C	D	E	BTU
OPT-27RPCFW	27"	10"	12"	1.75"	8"	45,000
OPT-27RPCFWE12V	27"	10"	12"	1.75"	8"	45,000

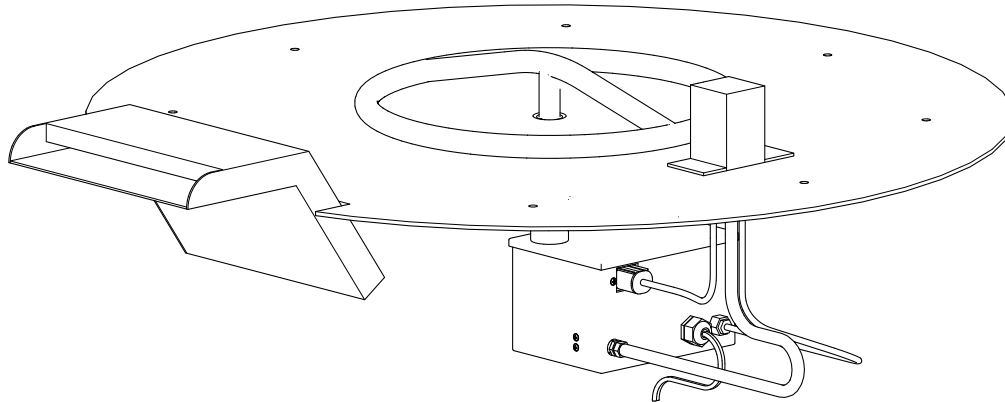
Fire Bowl Material: GFRC Concrete
 Finish: Smooth Finish
 Pan Material: 304 Stainless Steel
 Burner Material: 304 Stainless Steel

12V ELECTRONIC IGNITION
 ANSI Z21.97-(2017) / CSA 2.41-(2017)

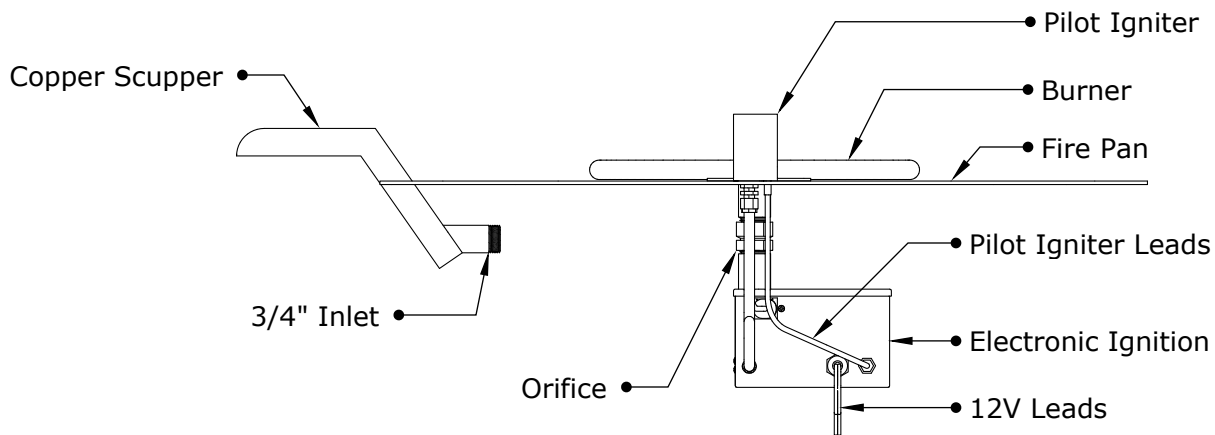


Includes: Pan, Burner, Key Valve, Whistle Free Hoses, Black Lava Rock.

SEDONA FIRE WATER BOWL COMPONENT OVERVIEW



ISOMETRIC VIEW



FRONT SIDE VIEW

12V ELECTRONIC IGNITION
ANSI Z21.97-(2017) / CSA 2.41-(2017)

