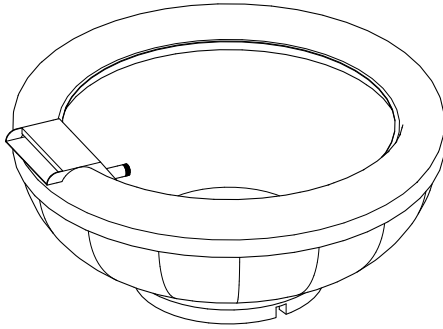
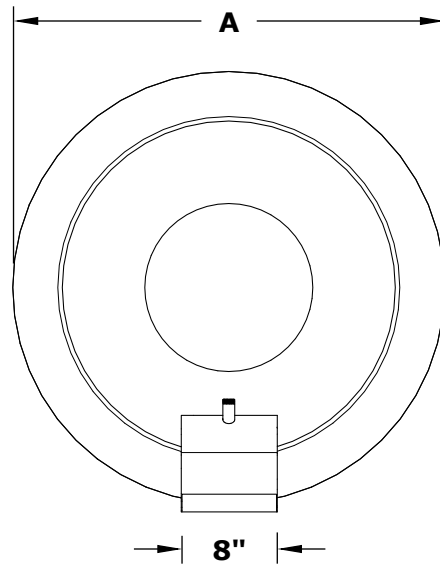


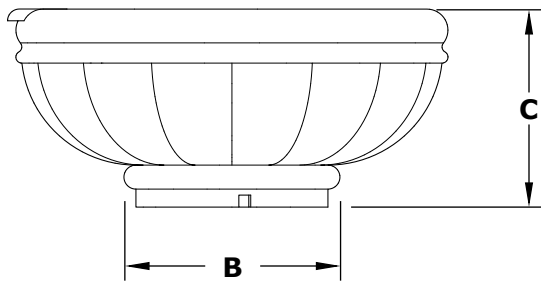
ROMA WATER BOWL
GFRC CONCRETE



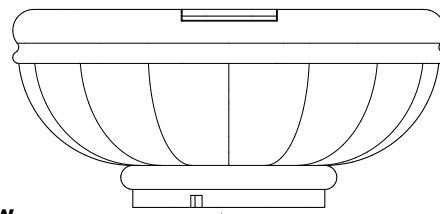
ISOMETRIC VIEW



TOP VIEW



RIGHT SIDE VIEW



FRONT SIDE VIEW

**Smooth Flow
 Water Fitting
 (1 1/2" Connection)**

PART NUMBER	A	B	C	GPM
OPT-ROMWO24	24"	9"	10"	7-10
OPT-ROMWO36	36"	18"	16"	7-10

Bowl Material: GFRC Concrete