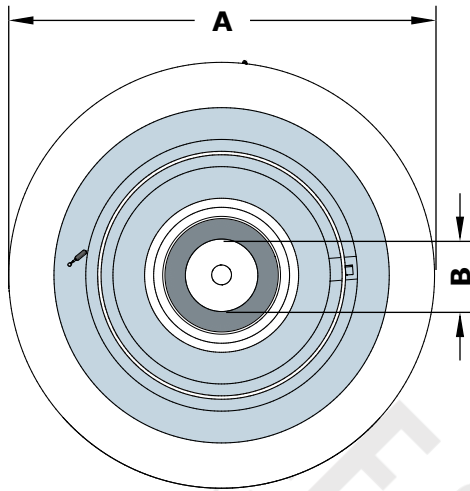
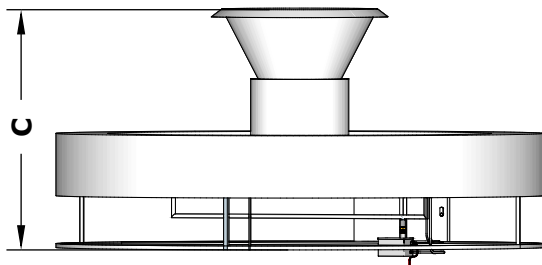


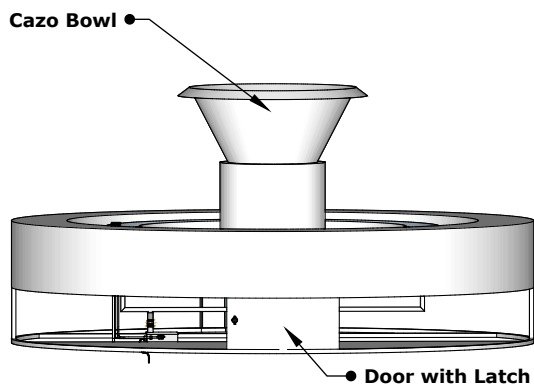
# Olympian with Cazo - 360 Spill Copper



**TOP VIEW**



**FRONT SIDE VIEW**



**RIGHT SIDE VIEW**

## SPECIFICATION

| PART NUMBER             | A   | B  | C   | GPM   |
|-------------------------|-----|----|-----|-------|
| OPT-OLY60E-NG           | 60" | 6" | 34" | 45-60 |
| OPT-OLY60E-LG           | 60" | 6" | 34" | 45-60 |
| OPT-OLY86E12-RF-(xx)-LP | 86" | 8" | 38" |       |
| OPT-OLY86E12-RF-(xx)-NG | 86" | 8" | 38" |       |

## Gas Requirements

**Gas Type:** Natural Gas or Propane  
**Gas Inlet:** 1/2" NPT Female  
**Total BTU:** 65K - 125K

\*\*All Electronic Units are CSA Certified

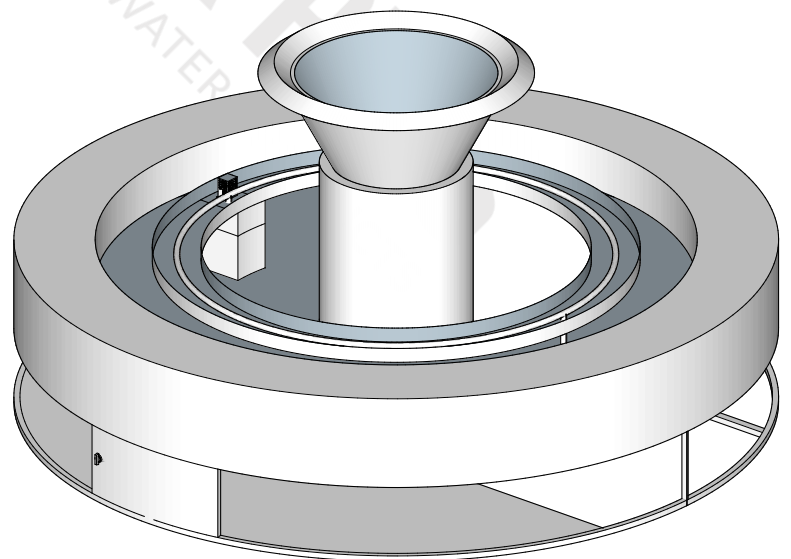


## What's Included?

### Low Voltage Unit:

-Fire Pan, Burner, Gas Orifice, Gas Hose, Key Valve with Key, Low Voltage Electronic Valve, Pilot Ignitor

Standard 2" Depth on all pans



**ISOMETRIC VIEW**

|              |              |
|--------------|--------------|
| Drawn By     | Mia L.       |
| Date Created | June 6, 2023 |