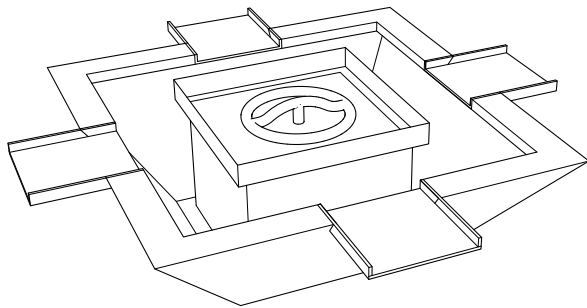
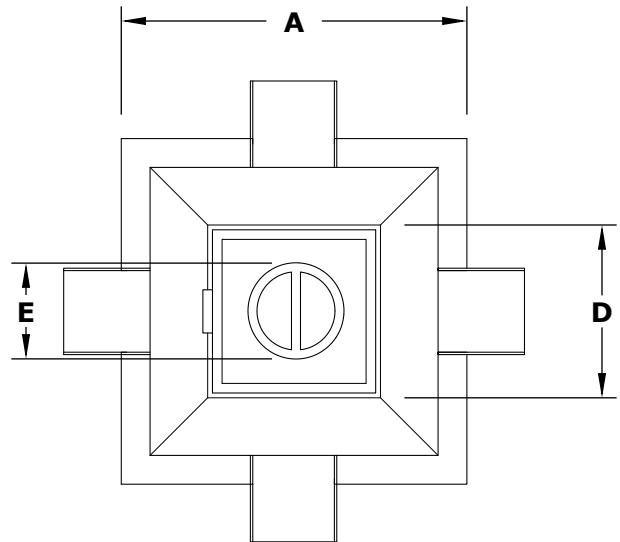


MAYA COPPER 4 WAY FIRE & WATER BOWL

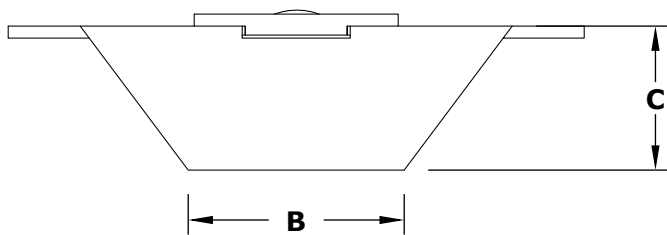
Hammered Copper



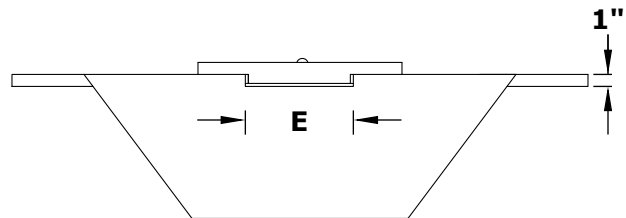
ISOMETRIC VIEW



TOP VIEW



RIGHT SIDE VIEW



FRONT SIDE VIEW

PART NUMBER	A	B	C	D	E	GPM	BTU
OPT-30FW4W	30"	15"	10"	15"	8"	15	45,000
OPT-30FW4WE12V	30"	15"	10"	15"	8"	15	45,000
OPT-36FW4W	36"	18"	12"	18"	10"	15	65,000
OPT-36FW4WE12V	36"	18"	12"	18"	10"	15	65,000

Bowl Material: Hammered Copper
 Pan Material: 304 Stainless Steel
 Burner Material: 304 Stainless Steel
 Standard 2" Depth on all pans

12V ELECTRONIC IGNITION
 ANSI Z21.97-(2017) / CSA 2.41-(2017)



Match Lit Unit Includes: Pan, Burner, Gas Orifice, Gas Hoses, Key Valve, Key,
 12v Ignition Unit Includes: Pan, Burner, Gas Orifice, Gas Hoses, Key Valve, Key, Plug & Play Electronic Valve, Pilot Igniter.

Proprietary & Confidential: The information contained in this drawing is the sole property of **The Outdoor Plus**. Any reproduction or as a whole without written permission of **The Outdoor Plus** is prohibited.