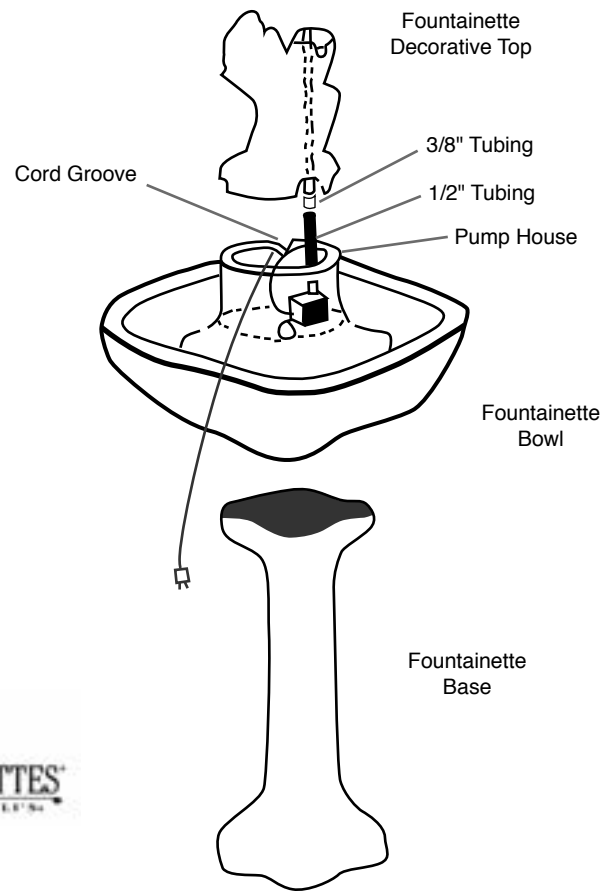
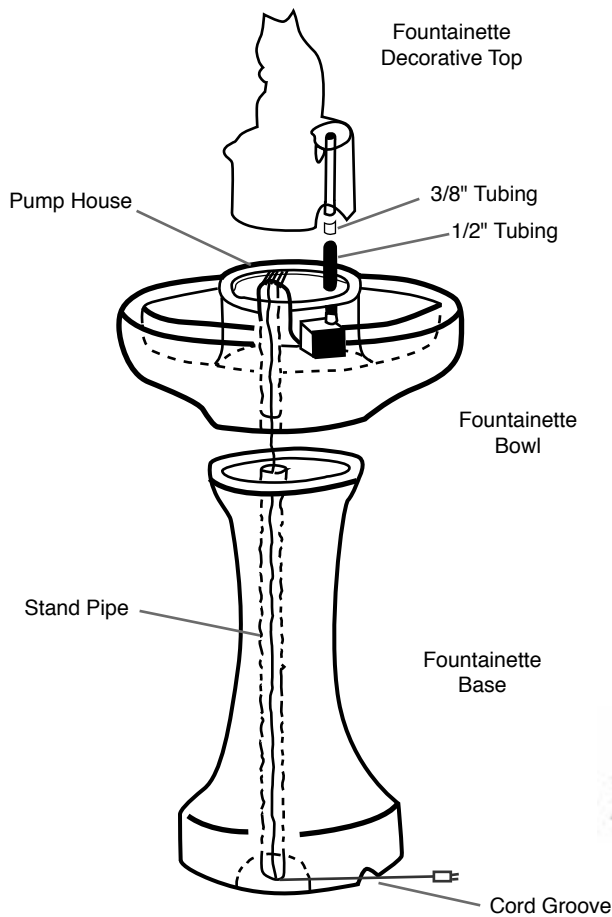




MASSARELLI'S®

MAKERS OF FINE STONE GARDEN ACCENTS

ITEM 3996: ROUNDSTONE FOUNTAINETTE



SET UP INSTRUCTIONS FOR ROUND DESIGN

- Clean tape off both ends of the stand pipe in pump house and in base of fountain.
- Stand Fountainette base up and check to see if it is level.
- Place Fountainette bowl on top of base.
- Feed pump cord through pump house and continue to feed through base of Fountainette. (Note: At base of Fountainette, cord lines up with a groove.)
- Check Fountainette bowl to see if it is still level on the base.
- Set pump adjustment to a low setting and place 1/2" tubing onto pump. (Note: Tubing may have to be cut to proper length.)
- Fill Fountainette bowl with water.
- Take Fountainette Decorative Top and make sure pipe is open at both ends.
- Take 3/8" tubing piece and place on pipe on bottom of Fountainette Decorative Top.
- While holding Fountainette top over the pump house, lift up pump with tubing attached and slide onto pipe.
- Place onto pump house and plug in Fountainette Pump.
- Make adjustments to water flow as needed.

SET UP INSTRUCTIONS FOR CORNER & FLAT BACK DESIGN

- Stand Fountainette base up and check to see if it is level.
- Place Fountainette bowl on top of base and check to see if it is level on the base.
- Set pump adjustment to a low setting and place 1/2" tubing on pump. (Note: Tubing may have to be cut to proper length.)
- Run pump cord out the back of the bowl through the cord groove.
- Fill Fountainette bowl with water.
- Take Fountainette Decorative Top and make sure pipe is open at both ends.
- Take 3/8" tubing piece and place on pipe on bottom of Fountainette Decorative Top.
- While holding Fountainette top over the pump house, lift up pump with tubing attached and slide onto pipe.
- Place onto pump house and plug in Fountainette Pump.
- Make adjustments to water flow as needed.