

Congratulations!

You have purchased a quality pump from Blue Thumb, Manufacturers of Quality Pond Products. If you experience trouble with your pump please reference the Troubleshooting section of this manual. If you are unable to remedy the problem please contact your local Blue Thumb dealer for further assistance.



IMPORTANT PLEASE READ BEFORE USING YOUR PUMP

To insure proper operation of your pump and receive maximum life of this product, it is important that you read the owners manual completely.

BLUE THUMB PUMP INFORMATION

Blue Thumb products are created by experienced pond professionals. These multi-purpose submersible pumps are designed for use in water garden and koi pond filtration systems, and to create waterfalls, streams and water features.

Mag-Drive models are suitable for pumping clear filtered water, such as when using a Blue Thumb Pond Skimmer or when placed inside a pump sock. The temperature of the water being pumped must never exceed 95 degrees Fahrenheit. **Do not pump sewage, inflammable, corrosive or explosive liquids (e.g. petrol, fuel, dilutents), greases, oils, or foodstuffs.**

For Your Safety



The power cord must never be used to carry or move the pump.



The pump should be unplugged before taking any action on the pump including placing it into or removing it from the water.



If the power supply cord has been damaged, it must be replaced by the manufacturer's authorized customer support service in order to avoid all risks.

Installing the pump

- These pumps can be installed in a pond skimmer or submerged directly into the water.
- The pump must always have water running through it. Running the pump dry will void the warranty.
- Do not place the pump where it can become clogged with debris or gravel. Do not set the pump on the bottom of the pond to prevent the pump from draining the pond. Monitor the pump regularly to make sure the intake remains unclogged.
- Plug the pump into a ground fault interrupter (GFCI) protected outlet that is in a dry place, protected against any risk of flooding. Verify that the power supply voltage and frequency match the specifications on the pump nameplate.

DO NOT cut the cord and direct wire the pump for any reason. Doing so will void the warranty.

Winter Operation

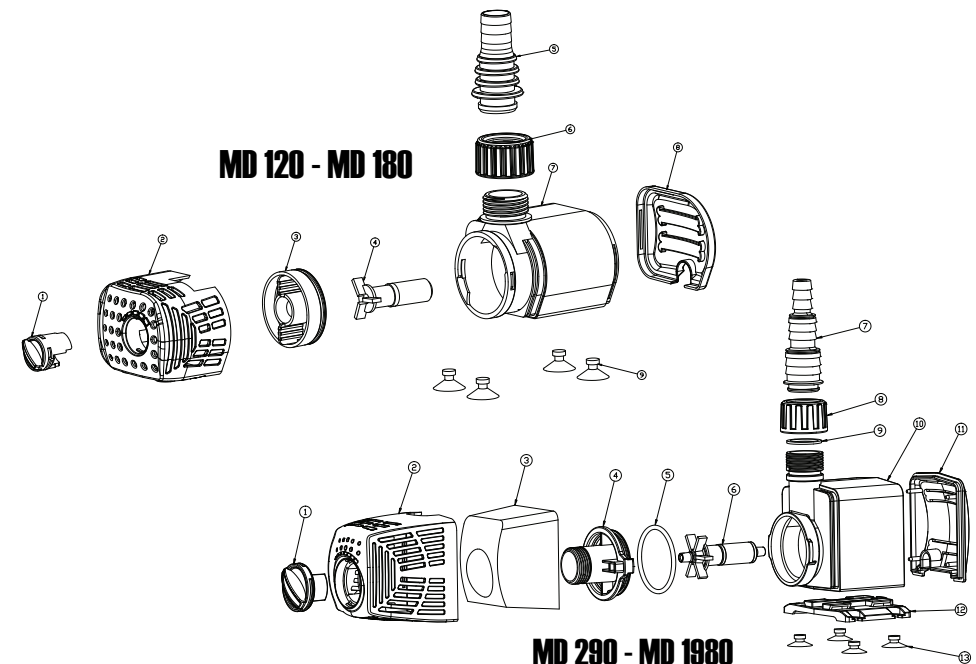
The pump may be run during cold weather, but it is absolutely essential to prevent the pump housing and PVC pipe from freezing. In the event ice may freeze around the pump, remove the pump from the water, empty it and place it where it cannot freeze.

6. TROUBLESHOOTING



Before taking any troubleshooting action, disconnect the pump from the power supply by removing the plug from the socket.

Problem	Possible causes	Solutions
The pump does not run.	<ul style="list-style-type: none"> • Power cord unplugged. • Impeller jammed. 	<ul style="list-style-type: none"> • Plug cord securely into the socket and check if there is voltage on the line. • Disconnect the power cord, remove impeller cover and check if impeller is free to run. • Check to see if the circuit protector needs to be reset.
The pump runs but does not deliver water.	<ul style="list-style-type: none"> • Water level under the suction minimum. • Air bubble in the pump, produced during the plunge. • Suction filter clogged. • Discharge tube clogged or obstructed. 	<ul style="list-style-type: none"> • Stop the pump, do not run the pump dry. • Add water • Get the air out by plunging the pump while in a tilted position and shake it with the discharge tube open. • Disconnect the power cord, clean the pump bottom. • Disconnect the power cord: take off the tube and clean it.
The pump stops running automatically.	The thermal overload protection system stopped the pump. A foreign object has jammed the pump. The pump was used in hot water. The pump ran dry.	Disconnect the power cord, correct the reason for overheating; then wait until the pump is cooled, plug the cord and resume operation.



WARRANTY

60-MONTH LIMITED WARRANTY

All Blue Thumb Mag-Drive pumps are warranted to the user against defective material and workmanship under normal use for a period of 60 months from the date of purchase by the original purchaser (Provided that your pump was registered within 60 days of purchase). Replacement liability in all events is limited to replacing or repairing at Blue Thumb's sole discretion of any part or parts which are defective in material or workmanship. Proof of purchase is required on all claims in the form of invoice copy, sales ticket, etc. Warranty void if pump is not installed as per these instructions. All pumps returned will be inspected to determine cause of failure before warranty approval.

The warranty and remedy described in this limited warranty is an EXCLUSIVE warranty and remedy IN LIEU of any other warranty or remedy, expressed or implied, which other warranties and remedies are hereby expressly EXCLUDED, including but not limited to any implied warranty of MERCHANTABILITY or FITNESS for a PARTICULAR PURPOSE. This warranty gives buyer and use specific legal rights, and buyer and user may also have other rights which vary from state to state. Some states do not allow the exclusion or limitation of incidental or consequential damages, so the above limitation or exclusion may not apply to you.

FOR YOUR RECORDS

Please keep receipt in case of warranty service

Date of Purchase _____

Model number _____

Serial Number _____

Dealers stamp _____

Blue Thumb, Inc.
2650 Schust Rd.
Saginaw, MI 48603
Phone: 989.921.3474
www.bluethumbponds.com

VIEW OTHER GREAT BLUE THUMB PRODUCTS ON-LINE AT WWW.BLUETHUMBPONDS.COM.



SERENITY SKIMMER



CRYSTAL SKIMMER



SMALL PUMP SOCK




Blue Thumb

Ponds / Waterfalls / Fountains

OWNER'S MANUAL



Models

- Mag-Drive 120
- Mag-Drive 180
- Mag-Drive 290
- Mag-Drive 370
- Mag-Drive 530
- Mag-Drive 660
- Mag-Drive 800
- Mag-Drive 1110
- Mag-Drive 1300
- Mag-Drive 1495
- Mag-Drive 1980

Blue Thumb Pump Specifications

Model	Power (Watt)	Flow (GPH)	Max. Head (Feet)	Current (Amp)	Cord Length	Outlet
MD 120	7	120	2.60	0.08	6 ft	3/4 in
MD 180	9.5	180	4.70	0.12	6 ft	3/4 in
MD 290	16	290	5.95	0.23	16 ft	1 in
MD 370	24	370	7.60	0.40	16 ft	1 in
MD 530	33	530	7.92	0.55	20 ft	1 in
MD 660	43	660	8.82	0.73	20 ft	1 in
MD 798	58	798	9.30	0.80	20 ft	1 in
MD 1110	92	1110	12.20	0.85	20 ft	1 in
MD 1300	110	1300	13.50	1.00	20 ft	1 1/4 in
MD 1495	153	1495	16.70	1.46	20 ft	1 1/4 in
MD 1980	250	1980	20.00	2.60	20 ft	1 1/4 in

* Wattage will vary based on head pressure.