

Advantage Industries

CATALOG





Table of **CONTENTS**

About Us	2
Product Categories	4
Vinyl Gate Hardware	5
Wood Gate Hardware	9
Aluminum Gate Hardware	13
Contact Us	15

ABOUT US

Advantage Industries has been a leader in the fence industry and continues to be a gate hardware innovator for almost two decades. We have been manufacturing our own custom line of Vinyl, Wood, and Aluminum gate hardware for 18+ years. We custom design, manufacture, and supply gate hardware products for installers, and supply houses across the United States.

From quality to ease of installation and usage, our products are second to none. We take pride in our quality control to ensure we provide our customers the headache-free "advantage" of using our products.



“

**I WOULDN'T
MAKE ANYTHING
I WOULDN'T PUT
ON MY OWN
HOUSE!**

”

– Mike Muller, Founder

PRODUCT CATEGORIES

Vinyl/PVC Gate and Fence Hardware

Self-closing and Non Self-closing Hinges, Latches, Drop Rods, Handles, Gate Braces, and Accessories

Wood Gate and Fence Hardware

Traditional and Contemporary Hinges, Latches, Drop Rods, Handles, and Gate Springs

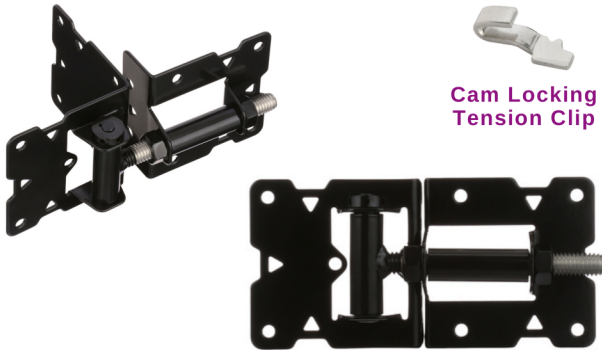
Aluminum Gate and Fence Hardware

Self-closing and Non Self-closing Hinges, Latches, Drop Rods, and Handles



VINYL/PVC Gate and Fence Hardware

STAINLESS STEEL SELF-CLOSING OR NON SELF-CLOSING HINGE



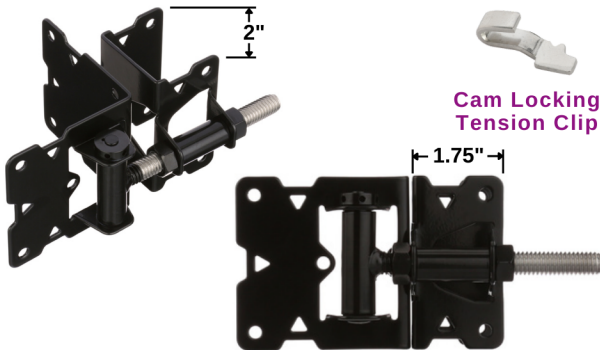
Cam Locking
Tension Clip

- Size:
 - Fence side (H) 3.5" x (W) 3.5" x (L) 3.5"
 - Gate side (H) 3.5" x (W) 1.25" x (L) 3.5"
- **Horizontal Adjustment - Two-sided attachment**
- Used with all gate profiles
- Spring enclosed
- #304 stainless steel - Powder-coated paint
- Extra thick spring and tight tolerance on barrel for reduced sagging
- **Self-tapping #14 x 1" hex head stainless steel screws supplied for faster installations**
- 12 pairs per case - 39 lbs

Part # AD1001B (black)
AD1001W (white)



3-SIDED STAINLESS STEEL SELF-CLOSING OR NON SELF-CLOSING HINGE



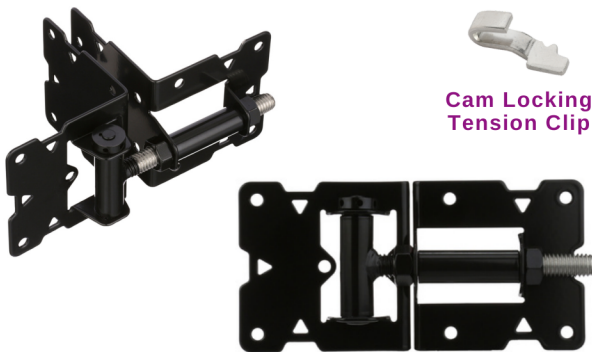
Cam Locking
Tension Clip

- Size:
 - Fence side (H) 3.5" x (W) 3.5" x (L) 3.5"
 - Gate side (H) 3.5" x (W) 2" x (L) 1.75"
- **Horizontal Adjustment - Three-sided attachment**
- Used with 2" gate profiles
- Spring enclosed
- #304 stainless steel - Powder-coated paint
- Holes lined up for thru-bolt capability for extra strength
- Extra thick spring and tight tolerance on barrel for reduced sagging
- **Self-tapping #14 x 1" hex head stainless steel screws supplied for faster installations**
- 12 pairs per case - 39 lbs

Part # AD1007B (black)
AD1007W (white)



"LONG LEG" STAINLESS STEEL SELF-CLOSING OR NON SELF-CLOSING HINGE



Cam Locking
Tension Clip

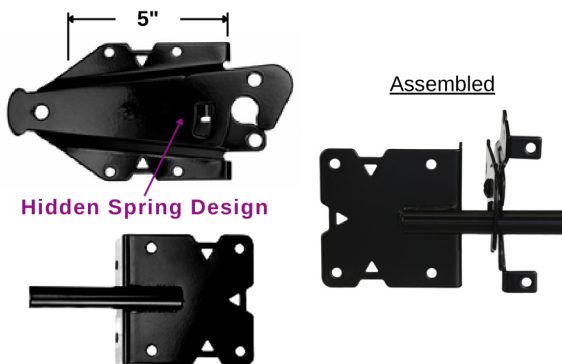
- Size:
 - Fence side (H) 3.5" x (W) 3.5" x (L) 3.5"
 - Gate side (H) 3.5" x (W) 3.5" x (L) 3.5"
- **Horizontal Adjustment - Three-sided attachment**
- Used with 4" and 5" gate profiles
- Spring enclosed
- #304 stainless steel - Powder-coated paint
- Extra thick spring and tight tolerance on barrel for reduced sagging
- **Self-tapping #14 x 1" hex head stainless steel screws supplied for faster installations**
- 12 pairs per case - 43 lbs

Part # AD1008B (black)
AD1008W (white)



VINYL/PVC Gate and Fence Hardware

STAINLESS STEEL SELF-CLOSING LATCH - PAD-LOCKABLE

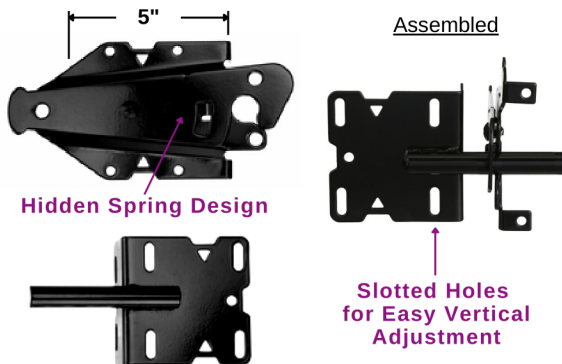


Part # AD1002B (black)
AD1002W (white)

- Two-way lockable and entry
- Two-sided attachment
- Self-latching
- **Reversible for left-hand and right-hand gates in 30 seconds or less**
- Used with all gate profiles
- Spring enclosed
- #304 stainless steel - Powder-coated paint
- **Self-tapping #14 x 1" hex head stainless steel screws supplied for faster installations**
- 20 per case - 39 lbs



STAINLESS STEEL SELF-CLOSING LATCH - VERTICAL ADJUSTABLE STRIKER

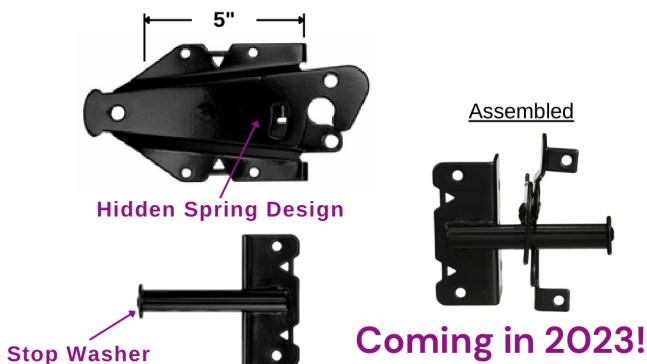


Part # AD1002BSL (black)
AD1002WSL (white)

- Two-way lockable and entry
- Two-sided attachment
- Self-latching
- **Reversible for left-hand and right-hand gates in 30 seconds or less**
- Used with all gate profiles
- Spring enclosed
- Striker side has slotted holes for vertical adjustment
- #304 stainless steel - Powder-coated paint
- **Self-tapping #14 x 1" hex head stainless steel screws supplied for faster installations**
- 20 per case - 39 lbs



STAINLESS STEEL SELF-CLOSING LATCH WITH STOP WASHER



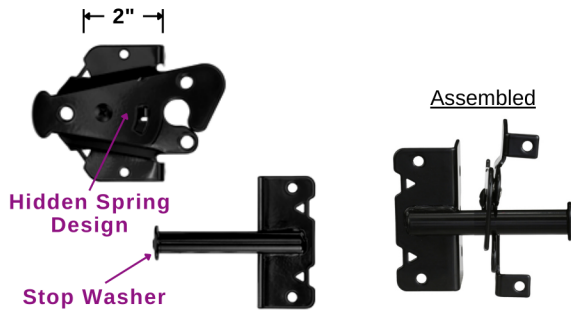
Part # AD1024B (black)
AD1024W (white)

- Two-way lockable and entry
- Two-sided attachment
- Self-latching
- **Reversible for left-hand and right-hand gates in 30 seconds or less**
- Used with all gate profiles
- Spring enclosed
- #304 stainless steel - Powder-coated paint
- **Self-tapping #14 x 1" hex head stainless steel screws supplied for faster installations**
- 20 per case - 39 lbs



VINYL/PVC Gate and Fence Hardware

STAINLESS STEEL SELF-CLOSING LATCH WITH STOP WASHER

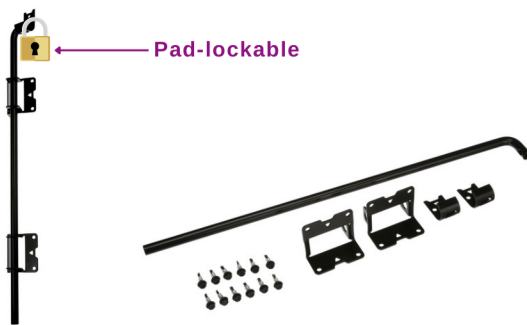


Part # AD1004B (black)
AD1004W (white)

- Perfect for drive gates!
- Two-way lockable and entry
- Two-sided attachment
- Self-latching
- Reversible for left-hand and right-hand gates in 30 seconds or less
- Used with all gate profiles
- Spring enclosed
- #304 stainless steel - Powder-coated paint
- Self-tapping #14 x 1" hex head stainless steel screws supplied for faster installations
- 30 per case - 39 lbs



STAINLESS STEEL LOCKABLE DROP ROD - 24" OR 42"



Part # AD1003B (black), AD1003-42B (black)
AD1003W (white), AD1003-42W (black)

- Extra Hanger Hook!
- 5/8" diameter
- Two-sided attachment
- Lockable with pad lock or combination lock
- #304 stainless steel - Powder-coated paint
- Self-tapping #14 x 1" hex head stainless steel screws supplied for faster installations
- 20 per case for 24" - 60 lbs
- 10 per case for 42" - 46 lbs



STAINLESS STEEL 7" HANDLE



- Size: (H) 7" x (W) 1" x (L) 1.25"
- Designed to fit all gates
- #304 stainless steel - Powder-coated paint
- #14 x 0.75" Phillips Pan head mounting screws
- 50 per case - 10 lbs

Part # AD1005-SSB (black)
AD1005-SSW (white)

"BEST GRIP" NYLON GATE HANDLE

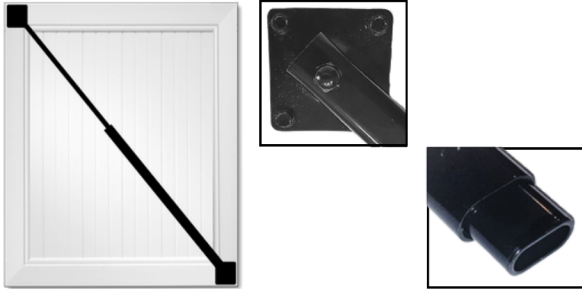


- Size: (H) 5.5" x (W) 1.5" x (L) 1.5"
- Two-sided attachment
- Designed to fit all gates
- Sturdy design
- Extra knuckle room and excellent grip
- (4) Phillips head flush mounting screws
- 25 or 100 per case - 6 or 22 lbs

Part # AD1005B (black)
AD1005W (white)

VINYL/PVC Gate and Fence Hardware

"SLICK" GATE BRACE

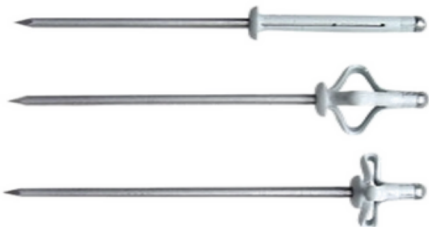


- Fits up to 6' x 6' gates
- Oval modular design with snug fit - no wobble
- Extra wall thickness for maximum strength
- Tight tolerances on tubing for maximum strength
- #304 stainless steel mounting bracket
- Powder-coated paint
- **Self-tapping #14 x 1" hex head stainless steel screws supplied for faster installations**
- 10 per case - 29 lbs

Part # AD1009B (black)
AD1009W (white)



TRI-FOLDING RIVETS



- Size: (H) 1" x (W) 3/16"
- Aluminum
- 1000 per case - 6 lbs
- White or Tan

Part # AD1KRIVET

#14 X 1" HEX HEAD STAINLESS STEEL SELF-TAPPING SCREWS

- 500 or 2000 per case - 7 lbs per 500



Part # ADtek Screws Black
ADtek Screws White

WOOD Gate and Fence Hardware

HEAVY DUTY BUTTERFLY HINGE

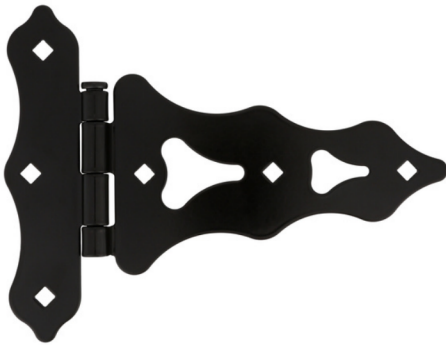


- Zinc-plated steel
- Powder coated paint
- Removable pin
- Tight hinge tolerance to prevent sagging
- **5/16" x 2" long lag screws supplied for faster installations**
- 20 pairs per case - 46 lbs

Part # AD2003



8" HEAVY DUTY STEEL "T" HINGE



- Zinc-plated steel
- Powder coated paint
- Removable pin
- Tight hinge tolerance to prevent sagging
- **5/16" x 2" long lag screws supplied for faster installations**
- 20 pairs per case - 52 lbs

Part # AD2001



8" HEAVY DUTY STEEL STRAP HINGE



- Zinc-plated steel
- Powder coated paint
- Removable pin
- Tight hinge tolerance to prevent sagging
- **5/16" x 2" long lag screws supplied for faster installations**
- 20 pairs per case - 61 lbs

Part # AD2002



WOOD Gate and Fence Hardware

8" HEAVY DUTY CONTEMPORARY BUTTERFLY HINGE

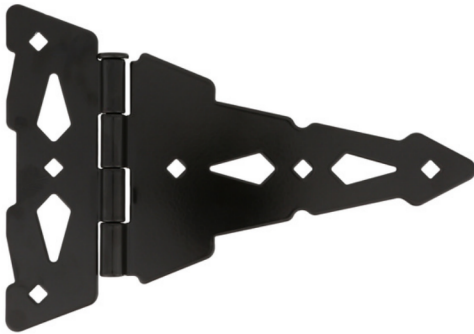


- Zinc-plated steel
- Powder coated paint
- Removable pin
- Tight hinge tolerance to prevent sagging
- **5/16" x 2" long lag screws supplied for faster installations**
- 20 pairs per case - 56 lbs

Part # AD2006



8" HEAVY DUTY STEEL CONTEMPORARY "T" HINGE



- Zinc-plated steel
- Powder coated paint
- Removable pin
- Tight hinge tolerance to prevent sagging
- **5/16" x 2" long lag screws supplied for faster installations**
- 20 pairs per case - 57 lbs

Part # AD2005



8" HEAVY DUTY STEEL CONTEMPORARY STRAP HINGE



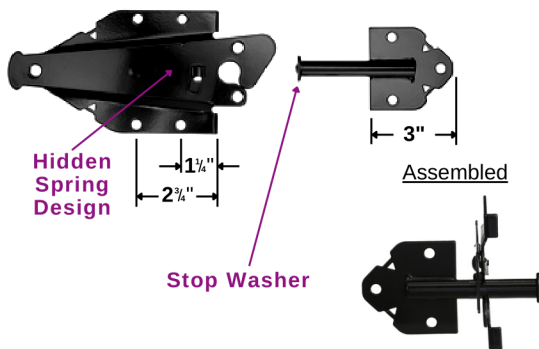
- Zinc-plated steel
- Powder-coated paint
- Removable pin
- Tight hinge tolerance to prevent sagging
- **5/16" x 2" long lag screws supplied for faster installations**
- 20 pairs per case - 64 lbs

Part # AD2004



WOOD Gate and Fence Hardware

STEEL SELF-CLOSING WOOD LATCH

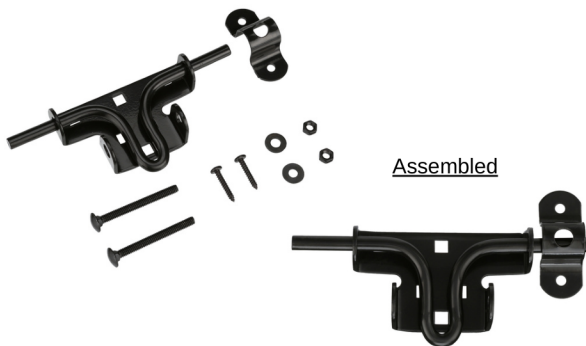


- Self-latching
- Two-way pad-lockable
- Attachment for in-swing or out-swing gates
- Zinc-plated steel
- Powder coated paint
- **Reversible for left-hand and right-hand gates in 30 seconds or less**
- Two-way entry
- All mounting hardware included
- **5/16" x 2" long lag screws supplied for faster installations**
- 20 per case - 34 lbs

Part # AD2010



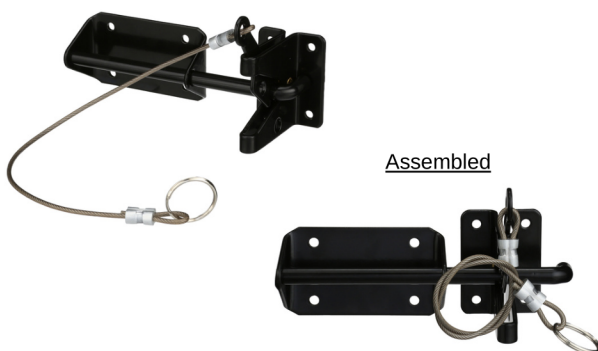
STEEL SLIDE BOLT LATCH



- Zinc-plated steel
- Powder coated paint
- **Reversible for left-hand and right-hand gates in 30 seconds or less**
- One-way entry
- All mounting hardware included
- 40 per case - 28 lbs

Part # AD2012

HEAVY DUTY GRAVITY LATCH WITH CABLE

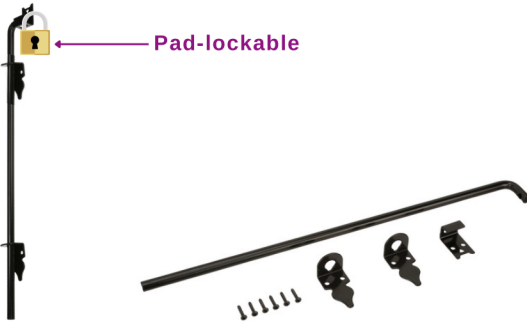


- **Great for drive gates!**
- Pad-lockable
- Zinc-plated steel
- Powder coated paint
- **Reversible for left-hand and right-hand gates in 30 seconds or less**
- Two-way entry
- Sturdy design
- All mounting hardware included
- 20 per case - 30 lbs

Part # AD2013

WOOD Gate and Fence Hardware

24" OR 42" STEEL LOCKABLE DROP ROD

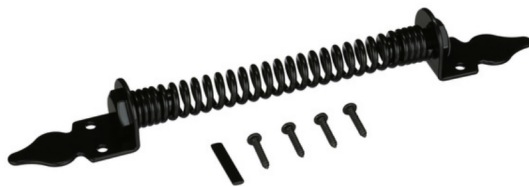


- 5/8" diameter
- Zinc-plated steel
- Powder coated paint
- Pad-lockable
- **#10 x 1" Phillips Pan head mounting screws supplied for faster installations**
- 20 per case for 24" - 50 lbs
- 10 per case for 42" - 33 lbs

Part # AD2011 and AD2011-42



13.75" HEAVY DUTY WOOD GATE SPRING



- Zinc-plated steel
- Powder coated paint
- Easy tension adjustment
- **#10 x 1" Phillips Pan head mounting screws supplied for faster installations**
- 40 per case - 46 lbs

Part # AD2020



7" STEEL HANDLE FOR WOOD



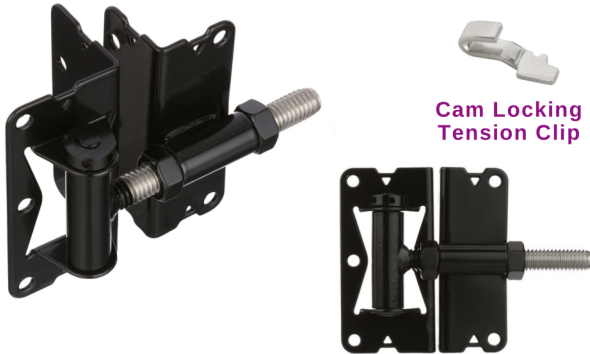
- Size: (H) 7" x (W) 1" x (L) 1.25"
- Position vertically or horizontally
- Zinc-plated steel
- Powder coated paint
- **#12 x 1.5" Phillips Pan head mounting screws supplied for faster installations**
- 100 per case - 19 lbs

Part # AD2021



ALUMINUM Gate and Fence Hardware

STAINLESS STEEL SELF-CLOSING OR NON SELF-CLOSING HINGE

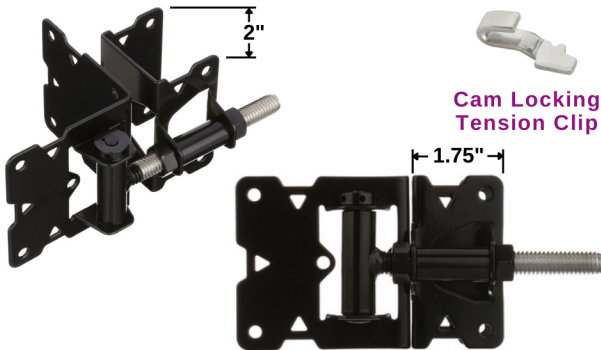


- Size:
 - Fence side (H) 4" x (W) 1.75" x (L) 1.875"
 - Gate side (H) 4" x (W) 1.375" x (L) 1.375"
- **Horizontal adjustment - Two-sided attachment**
- Hidden spring enclosed
- #304 stainless steel - Powder-coated paint
- **Self-tapping #14 x 1" hex head stainless steel screws supplied for faster installations**
- 12 pairs per case - 31 lbs

Part # AD1006B (black)
AD1006W (white)



3-SIDED STAINLESS STEEL SELF-CLOSING FOR INDUSTRIAL

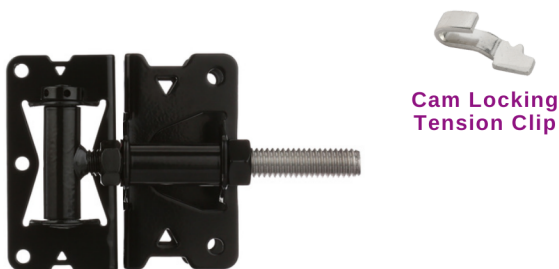


- Size:
 - Fence side (H) 3.5" x (W) 3.5" x (L) 3.5"
 - Gate side (H) 3.5" x (W) 2" x (L) 1.75"
- **Horizontal Adjustment - Three-sided attachment**
- Used with 2" gate profiles
- Spring enclosed
- #304 stainless steel - Powder-coated paint
- Holes lined up for thru-bolt capability for extra strength
- Extra thick spring and tight tolerance on barrel for reduced sagging
- **Self-tapping #14 x 1" hex head stainless steel screws supplied for faster installations**
- 12 pairs per case - 39 lbs

Part # AD1007B (black)
AD1007W (white)



3-SIDED STAINLESS STEEL SELF-CLOSING HINGE FOR LIGHT INDUSTRIAL



- Size:
 - Fence side (H) 4" x (W) 1.75" x (L) 1.875"
 - Gate side (H) 3" x (W) 2" x (L) 1.75"
- **Horizontal Adjustment - Three-sided attachment**
- Used with 2" gate profiles and 2.5x2.5" or 3x3" fence posts
- Holes lined up for thru-bolt capability for extra strength
- #304 stainless steel - Powder-coated paint
- **Self-tapping #14 x 1" hex head stainless steel screws supplied for faster installations**
- 12 pairs per case - 35 lbs

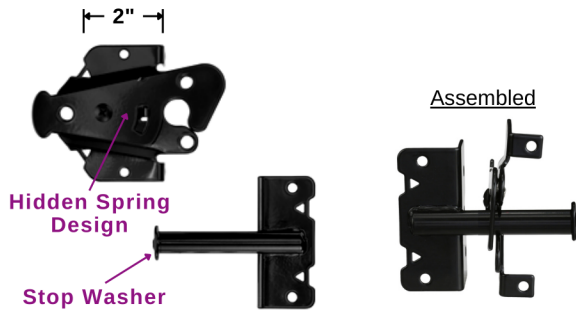
Coming in 2023!

Part # AD1013B (black)
AD1013W (white)



ALUMINUM Gate and Fence Hardware

STAINLESS STEEL SELF-CLOSING LATCH WITH STOP WASHER

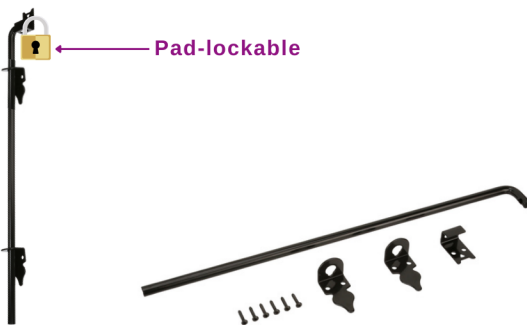


Part # AD1004B (black)
AD1004W (white)

- Perfect for drive gates!
- Two-way lockable and entry
- Two-sided attachment
- Self-latching
- Reversible for left-hand and right-hand gates in 30 seconds or less
- Used with all gate profiles
- Spring enclosed
- #304 stainless steel - Powder-coated paint
- Self-tapping #14 x 1" hex head stainless steel screws supplied for faster installations
- 30 per case - 39 lbs



24" STAINLESS STEEL LOCKABLE DROP ROD



Part # AD2011SSB (black)
AD2011SSW (white)

- 5/8" diameter
- Lockable with pad lock or combination lock
- #304 stainless steel - Powder-coated paint
- Self-tapping #14 x 1" hex head stainless steel screws supplied for faster installations
- 20 per case - 50 lbs



STAINLESS STEEL 7" HANDLE



- Size: (H) 7" x (W) 1" x (L) 1.25"
- Designed to fit all gates
- #304 stainless steel - Powder-coated paint
- #14 x 0.75" Phillips Pan head mounting screws
- 50 per case - 10 lbs

Part # AD1005-SSB (black)
AD1005-SSW (white)

"BEST GRIP" NYLON GATE HANDLE



- Size: (H) 5.5" x (W) 1.5" x (L) 1.5"
- Two-sided attachment
- Designed to fit all gates
- Sturdy design
- Extra knuckle room and excellent grip
- (4) Phillips head flush mounting screws
- 25 or 100 per case - 6 or 22 lbs

Part # AD1005B (black)
AD1005W (white)

CONTACT US



833-874-7070



sales@advantagellc.com



5555 W Linebaugh Ave. Ste D
Tampa, FL 33624

3000 SW 15th St. Ste G & H
Deerfield Beach, FL 33442



advantagellc.com



The **HIGHEST QUALITY** Gate Hinges and Latches.

For all projects large or small, our vinyl, wood, and aluminum gate and fence hardware will not only look good, but last!

