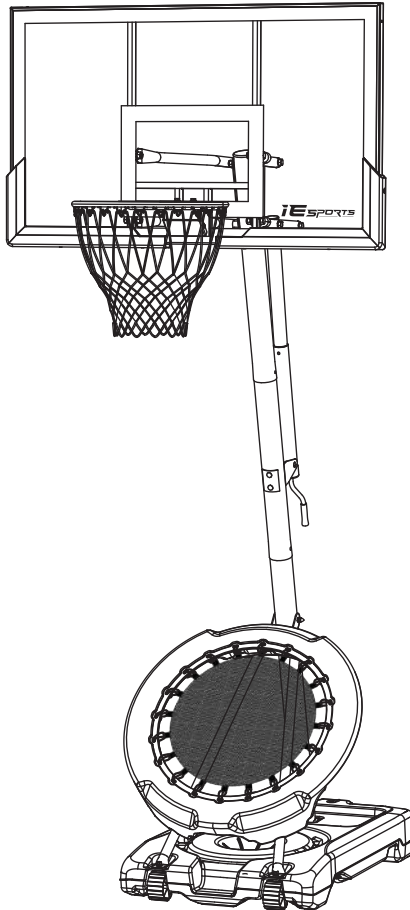




44" PORTABLE INTERACTIVE BASKETBALL HOOP

INSTRUCTION MANUAL



Rebounder
Training Program



Installation Guide



Installation Animation



STYLE/MODEL NUMBER
Portable Basketball Hoop
Item No.: 44IEF1

Save these instructions for future reference. For assistance:

Customer Service Mailbox: info@ie-sport.com
Customer Service Number: 909-966-9015

Hours of Operation: Mon-Sat 10:00am - 4:00pm EDT (9:00am - 3:00pm EST)
INNOVATIVE ENTERPRISE(US) 3647 De Forest Cir, Mira Loma, CA 91752



⚠ WARNING:

READ AND UNDERSTAND
OPERATOR'S MANUAL BEFORE
USING THIS UNIT.

FAILURE TO FOLLOW OPERATING
INSTRUCTIONS COULD RESULT IN
INJURY OR DAMAGE TO PROPERTY.

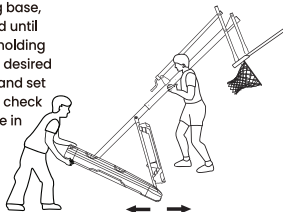
! WARNING !

FAILURE TO FOLLOW THESE WARNINGS MAY RESULT IN SERIOUS INJURY AND/OR PROPERTY DAMAGE.

Owner must ensure that all players know and follow these rules for operation of the system.

- Only hang from the rim briefly to regain balance or avoid injuring others. Release the rim as safely as possible.
- During play, especially when performing dunk-type activities, keep player's face away from the backboard, rim and net. Serious injuries could occur if teeth/face come in contact with backboard, rim, or net.
- Do not slide, climb, or play on base or pole.
- Completely fill base according to manufacturer's instructions or the system will tip quickly causing serious personal injury.
- When adjusting height or moving system, keep hands and fingers away from moving parts.
- Do not allow children to move or adjust system.
- During play, do not wear jewelry (rings, watches, necklaces, etc.). Objects may entangle in net.
- Surface beneath the base must be smooth and free of gravel or other objects.
- Punctures can cause leakage and could cause system to tip over.
- Keep water and organic materials away from pole. Pole can rust and fall.
- Once a month, check pole and all metal parts for rust. Completely remove rust and repaint with exterior enamel. If rust has penetrated any steel part, replace that part immediately.
- Check system before each use for proper ballast, loose hardware, instability, and signs of corrosion and repair before each use. Never play on damaged equipment.
- Do not use system during windy or severe weather. System may tip over. Place system in an area protected from the wind or in an area away from property that may be damaged if the system falls.
- Do not leave unit in vertical position if the base is not properly filled with water and/or sand.
- This product is NOT designed to support a player hanging from any component of this basketball system.
- Rim height adjustments should be made by ADULTS ONLY.
- Wear a mouth guard when playing to avoid dental injuries.

- Adjust backboard to lowest position. While holding pole and lifting base, carefully lean system forward until wheels touch ground. While holding pole and base, roll system to desired location. Stand pole upright and set base flat on ground. ALWAYS check to make sure system is stable in new location.



! WARNING: Assembly by adult.

! WARNING:

Treading on base may cause leakage, and the system would tip over.



! WARNING:

Swinging on this rim may cause serious injury or death.



! WARNING:

Do not leave unit in vertical position if the base is not properly filled with water and/or sand



! WARNING:

Failure to observe this warning may cause property damage and/or serious injury.

This product is NOT designed to support a player hanging from any component of this basketball system.

Rim height adjustments should be made by ADULTS ONLY.

Wear a mouth guard when playing to avoid dental injuries.

During play, do not wear jewelry (rings, watches, necklaces, etc.).

Objects may entangle in net.



SAFETY INSTRUCTIONS



FAILURE TO FOLLOW THESE SAFETY INSTRUCTIONS MAY RESULT IN SERIOUS INJURY AND/OR PROPERTY DAMAGE.

Owner must ensure that all players know and follow these rules for safe operation of the Basketball Hoop.

To ensure safety, do not attempt to assemble this Basketball Hoop without following the instructions carefully. Check entire box and inside all packing material for parts and/or additional instruction material. Before beginning assembly, read the instructions and identify parts using the hardware identifier and parts list in this document. Proper and complete assembly, use, and supervision are essential for proper operation and to reduce the risk of accident or injury. A high probability of serious injury exists if this Basketball Hoop is not installed, maintained and operated properly.

- If using a ladder during assembly, use extreme caution.
- 2 capable adults are recommended for this operation.
- Check base daily for leakage. Leaks could cause system to fall.
- Assemble the pole sections properly. Failure to do so could cause the pole sections to separate during play or transport.
- Operational height is 7.5ft (2.28m) to 10ft (3.05m) from the ground to the rim.

Most injuries are caused by misuse and/or not following instructions. Use caution when using this unit.

WARNING TO INSTALLERS

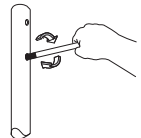
Two capable adults are required for installation. The base **MUST** be filled with sand and/or water at all times. The entire basketball hoop must be installed according to instructions. Failure to follow instructions could result in **SERIOUS INJURY**.



BEFORE YOU START!

We would like to provide you with the following recommendations

- If you encounter blockages where the bolt cannot fit properly into the pole hole, we suggest using a screwdriver to rock the hole in a circular motion to remove any excess paint from the holes.
- Be sure to check inside pole sections, parts E(bottom pole brace) are packed inside.

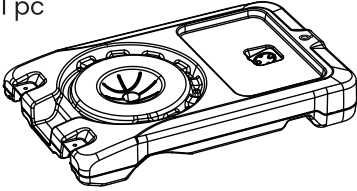


Questions or Missing Parts?

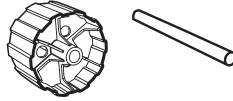
If you have any further questions or need additional assistance, please contact our customer service listed on the front page!

Parts List

A Base
1 pc

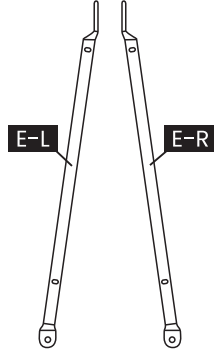


B Wheel & Axle
2 pcs 2 pcs

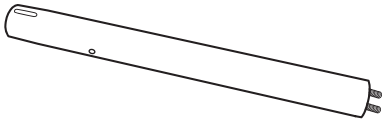


Pre-installed on Base

E Bottom Pole Brace
2 pcs



C Bottom Pole
1 pc

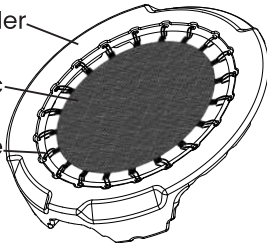


D Square Plate
1 pc



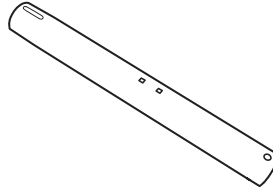
IN BAG-1

F Rebounder
1 pc
Mesh Fabric
1 pc
Elastic Ropes
20 pcs

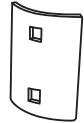


Mesh Fabric, Elastic Ropes
Pre-installed on Rebounder

G Middle Pole
1 pc



H Middle Pole
Mounting Plate
1 pc



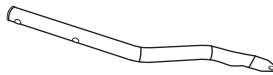
IN BAG-5

I Middle Pole
Mounting Plate
1 pc

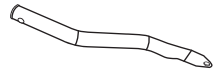


IN BAG-5

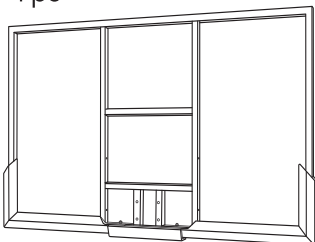
J Lower Lifting Tube
2 pcs



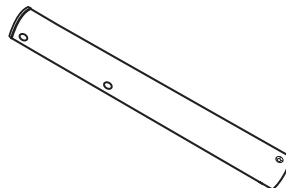
K Upper Lifting Tube
2 pcs



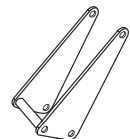
L Backboard
1 pc



M Top Pole
1 pc

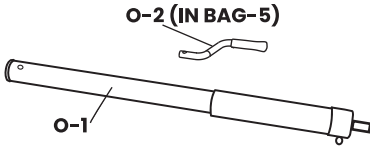


N Triangle
Connecting Plate
1 pc

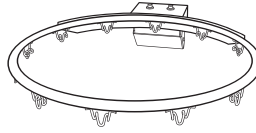


IN BAG-3

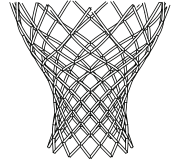
O Height Adjustment Pole
1 pc



P Rim
1 pc



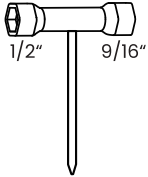
Q Net
1 pc



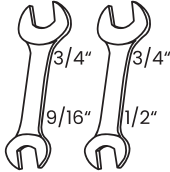
Small Part Bags (Bolts & Screws)

BAG-1

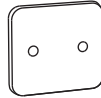
Socket Wrench 1 pc




Wrench 2 pcs




D Square Plate
1 pc




1  2 pcs Black Self Tapping Screw
M6x0.63" Long

 2 pcs Black Plastic Washer


2  2 pcs Lock nut, 5/16-18


 2 pcs Washer, 5/16


BAG-2


3  1 pc Bolt, 5/16-18x3.15" Long

 1 pc washer, 5/16

 1 pc Nut, 5/16-18

4  2 pcs Bolt, 3/8-16x0.79" Long


 2 pcs washer, 3/8

5  4 pcs Bolt, 5/16-18x1.89" Long


 4 pcs washer, 5/16


BAG-3

6  1 pc Bolt, 1/2-13x3.54" Long


 2 pcs washer, 1/2

 1 pc Nut, 1/2-13


9  3 pcs Bolt, 1/2-13x7.87" Long

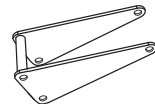
 6 pcs washer, 1/2

 3 pcs Nut, 1/2-13

7  4 pcs Plastic Spacer, 0.87" Long

N Triangle Connecting Plate
1 pc

8  2 pcs Plastic Spacer, 1.61" Long



BAG-4

10



4 pcs Bolt, 1/2-13x1.77" Long



8 pcs washer, 1/2



4 pcs Nylon washer, 1/2



4 pcs Lock nut, 1/2-13

11



4 pcs Bolt, 5/16-18x1.77" Long



4 pcs washer, 5/16



4 pcs Lock washer, 5/16

BAG-5

12



2 pcs Bolt, 5/16-18x3.15" Long



2 pcs washer, 5/16



2 pcs Lock nut, 5/16-18

13



1 pc Bolt, 5/16-18x2.24" Long



1 pc washer, 5/16



1 pc Nut, 5/16-18

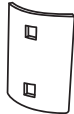
14

Latch
1 pc



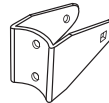
H

Middle Pole Mounting Plate
1 pc



I

Middle Pole Mounting Plate
1 pc



O-2

Crank Handle
1 pc



Required Tools And Materials

The following required tools are **NOT INCLUDED**.



• 2 Capable Adults



• Sawhorse or Support Table
(Suggested height is above 32.5 inch)



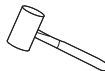
• Sand funnel



• Safety Glasses



• Garden Hose
or Sand



• Wooden Hammer
or Rubber Hammer

You can use our free tools for assembly, or you can use your own handy tools.



AND/OR



• (2 each) Wrenches and/or Socket Wrenches and
Sockets (Deepwell Sockets are Recommended)

1/2" 9/16"

1/2"

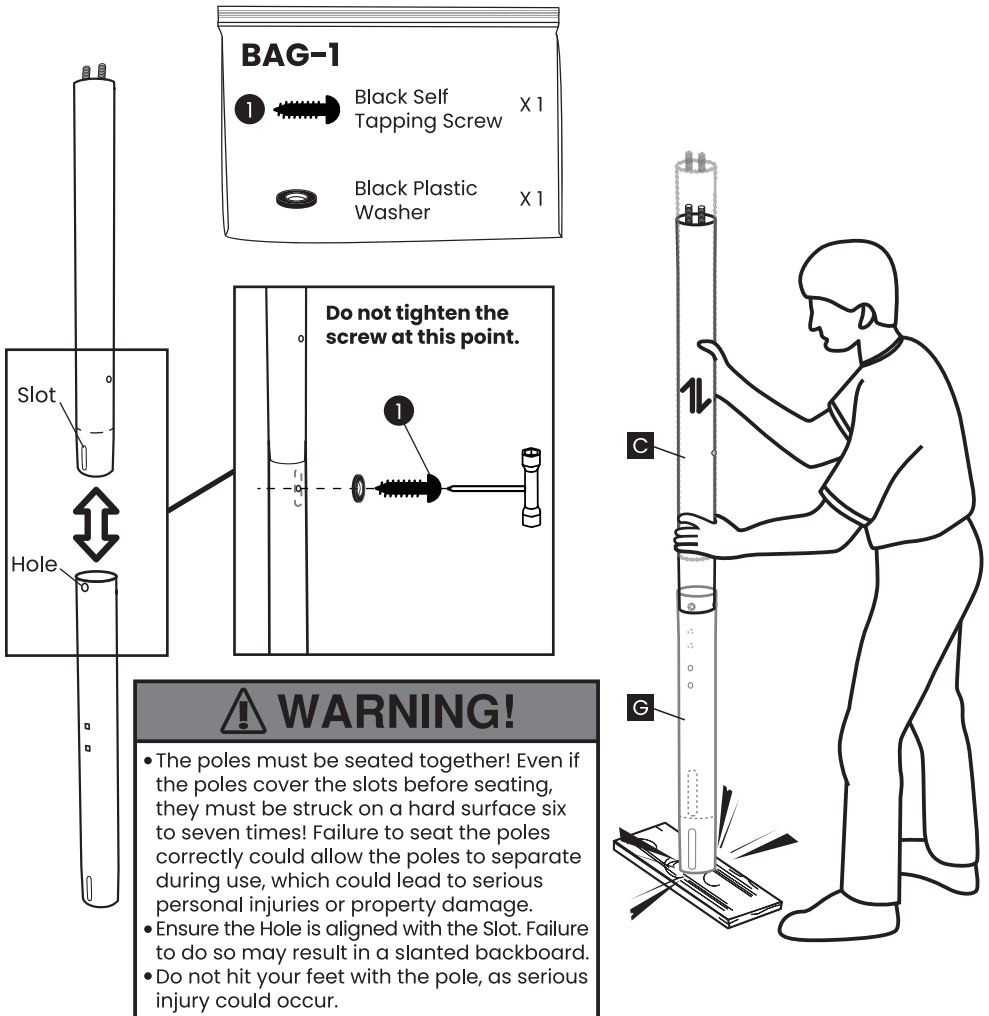
9/16"

STEP 1

Insert Pole (C) into Pole (G). Align the Hole in Pole (G) with the Slot in Pole (C). Install Screw set (1) of **BAG-1** through the Hole and the Slot. Do not tighten the screw at this point. Place the installed pole on a board straight up. Strike the Pole (C,G) on the wooden Board or Thick Cardboard six to seven times. Tighten the screw (1) when the Pole (G) reached the marked line of Pole (C). The marked line is for installation reference only.

WARNING:

- Ensure the Hole is aligned with the Slot. Failure to do so may result in a slanted backboard.
- Do not hit your feet with the pole, as serious injury could occur.

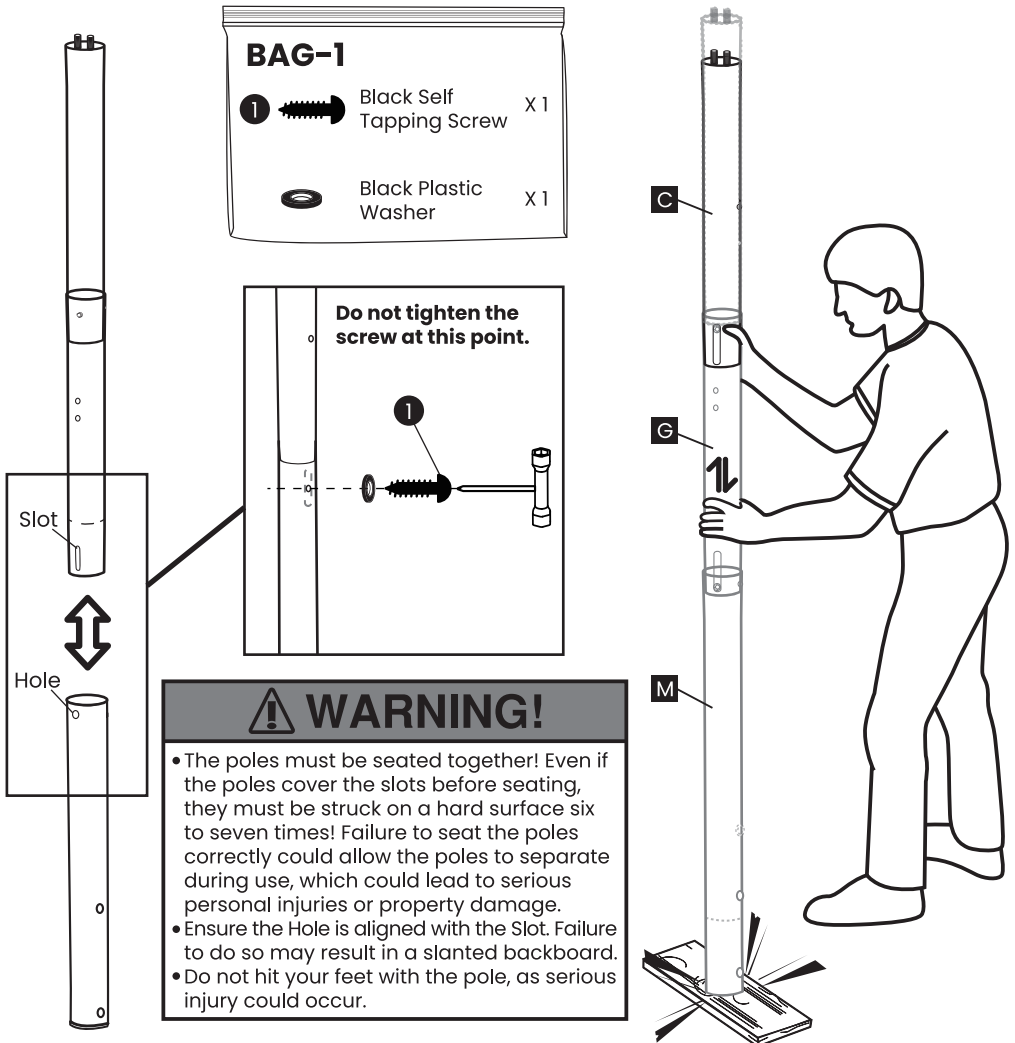


STEP 2

Insert Pole (C,G) into Pole (M). Align the Hole in Pole (M) with the Slot in Pole (C,G). Install Screw set (1) of **BAG-1** through the Hole and the Slot. Do not tighten the screw at this point. Place the installed pole on a board straight up. Strike the Pole (C,G,M) on the wooden Board or Thick Cardboard six to seven times. Tighten the screw (1) when the Pole (M) reached the marked line of Pole (G). The marked line is for installation reference only.

WARNING:

- Ensure the Hole is aligned with the Slot. Failure to do so may result in a slanted backboard.
- Do not hit your feet with the pole, as serious injury could occur.

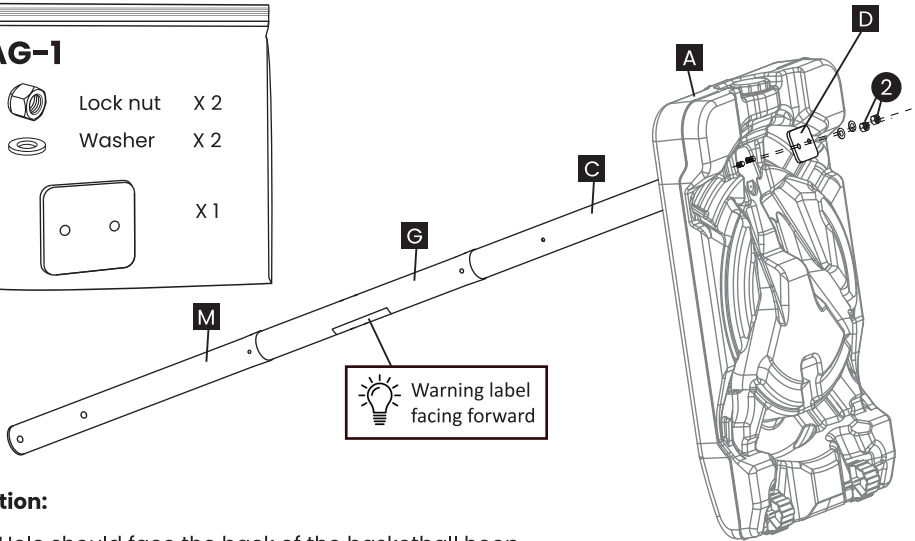
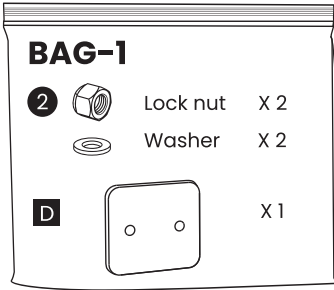


STEP 3



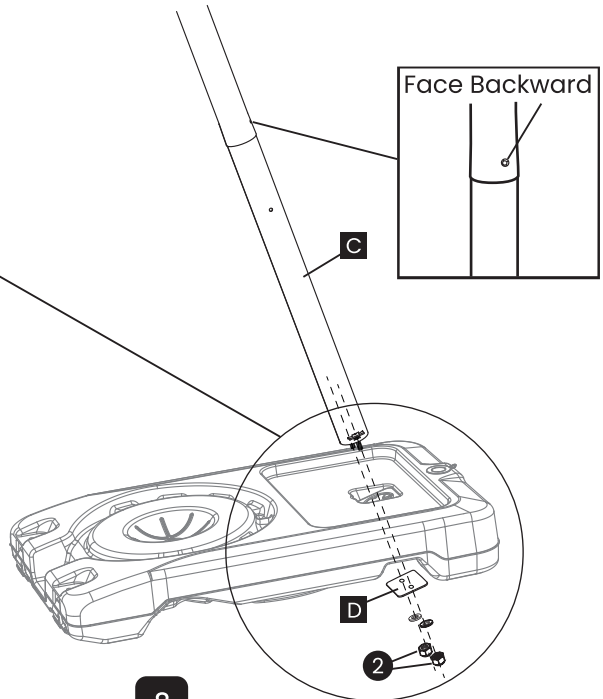
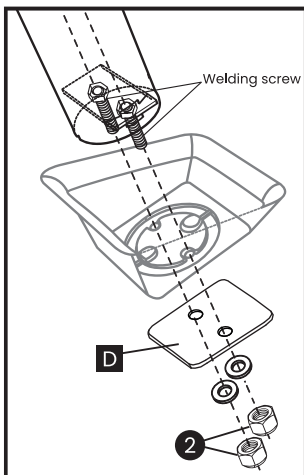
Warning! Two adults are required for assembly.

Install the pole section (C,G,M) onto Base (A). Align the two preinstalled bolts through two holes of Base (A). Connect the pole section (C,G,M) to Square Plate (D) with Screw set (2) in **BAG-1**.



Attention:

- The Hole should face the back of the basketball hoop.

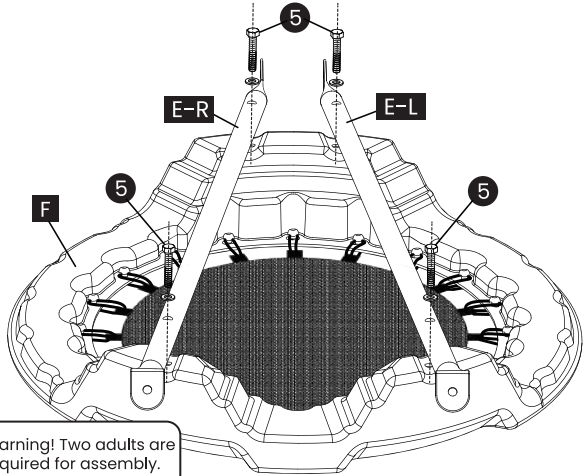
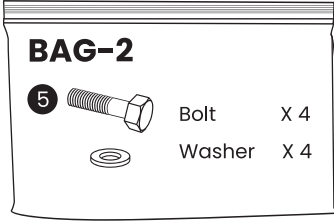


STEP 4



Do not fully tighten hardware at this time.

Install Bottom Pole Brace (E) on the Rebounder (F) with Screw set (5) in **BAG-2**. Do not tighten the screws at this point. Make sure that the left brace and the right brace are installed in the correct position.

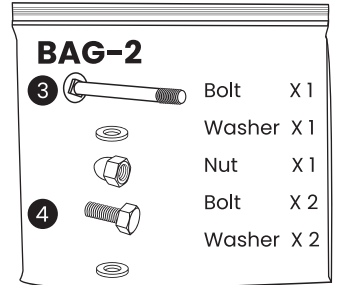
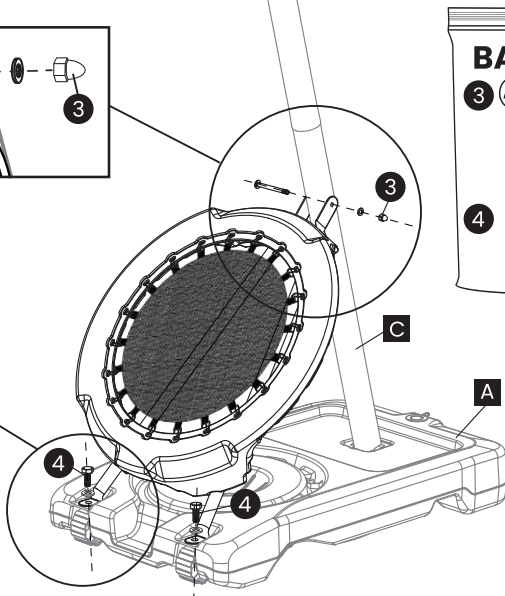
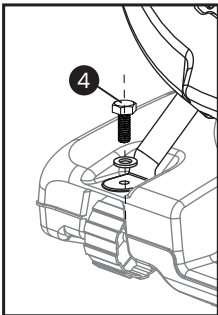
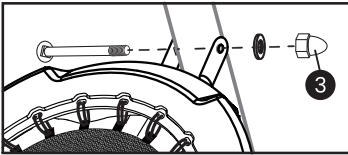


STEP 5



Warning! Two adults are required for assembly.

Install the Rebounder onto the base and poles as shown. Connect the Rebounder to Pole (C) with Screw set (3) in **BAG-2**. Connect the Rebounder to Base (A) with Screw set (4) in **BAG-2**. When the Rebounder is in place, tighten all the screws (5) of the Rebounder.



Fully tighten all hardware now.

STEP 6



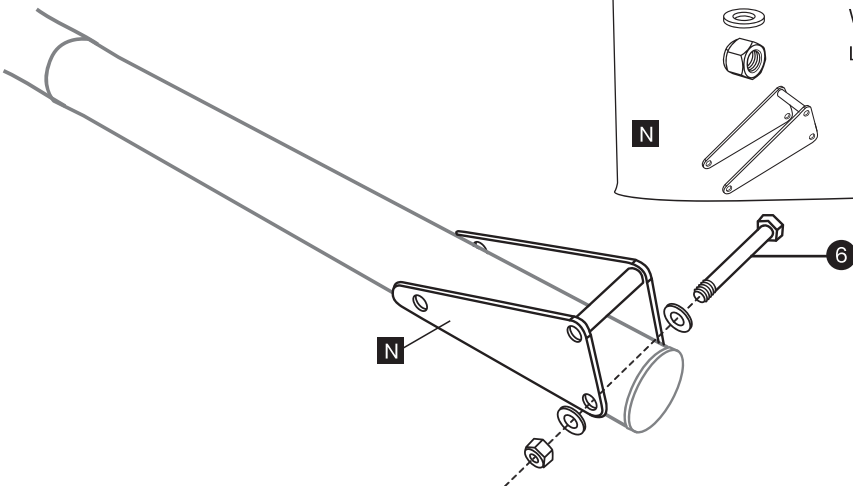
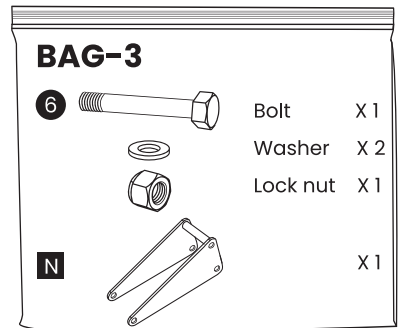
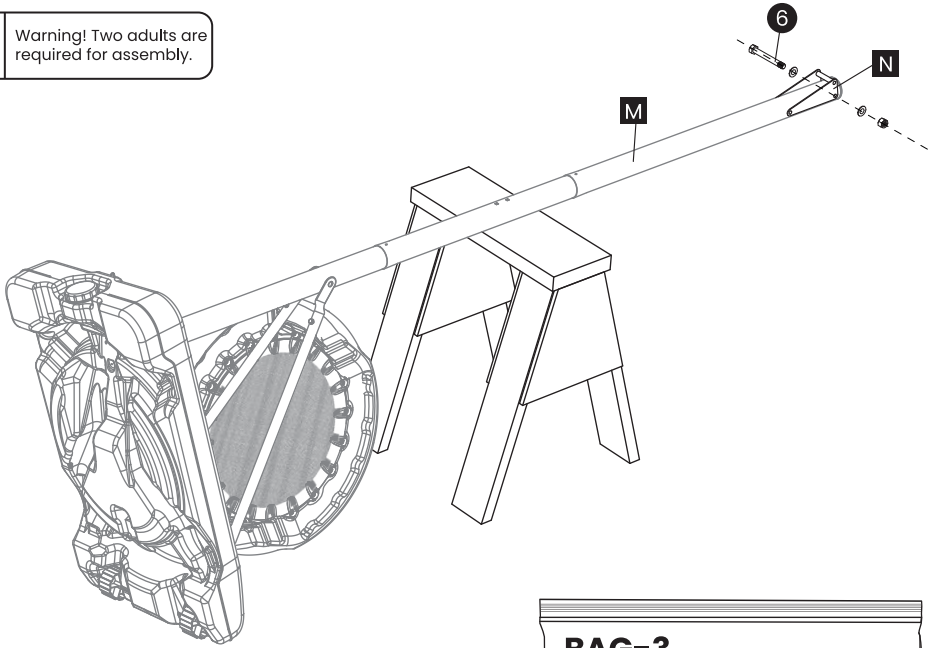
From step 6 to step 13, it is recommended to initially tighten the hardware with fingers. Only after the assembly of the height adjustment system is complete, proceed to tighten all the hardware securely.



Place the Basketball Hoop base with pole on a sawhorse or a work table carefully. Install the Triangle Connecting Plate (N) to Top Pole (M) with Screw set (6) in **BAG-3**.



Warning! Two adults are required for assembly.

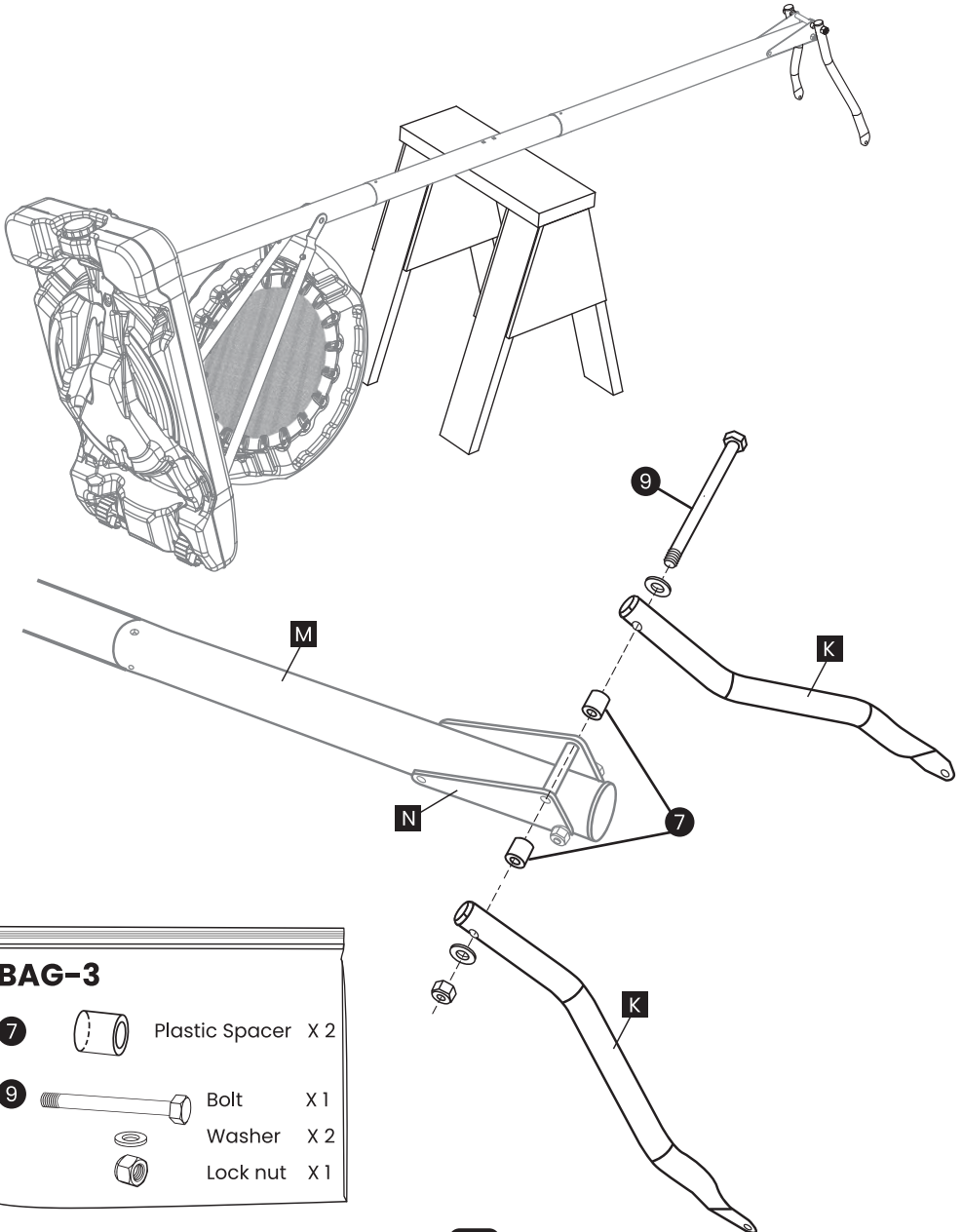


STEP 7



Warning! Two adults are required for assembly.

Install the Upper Lifting Tube (K) to Top Pole (M) with one Screw set (9) and two Plastic Spacers (7) in **BAG-3**.



BAG-3

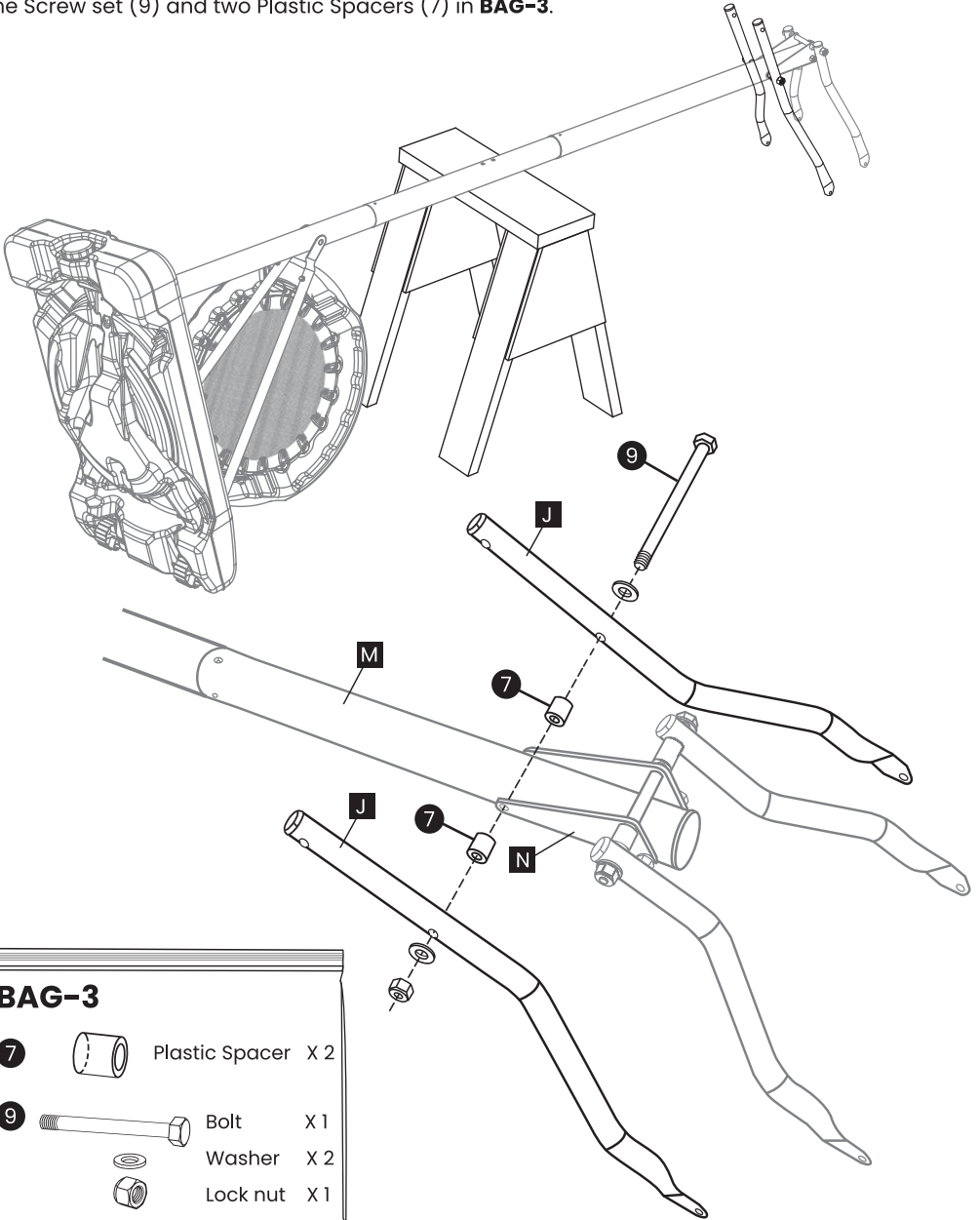
- | | | | |
|---|--|----------------|-----|
| 7 | | Plastic Spacer | X 2 |
| 9 | | Bolt | X 1 |
| | | Washer | X 2 |
| | | Lock nut | X 1 |

STEP 8



Warning! Two adults are required for assembly.

Connect Lower Lifting Tube (J), Top Pole (M) and Triangle Connecting Plate (N) together with one Screw set (9) and two Plastic Spacers (7) in **BAG-3**.

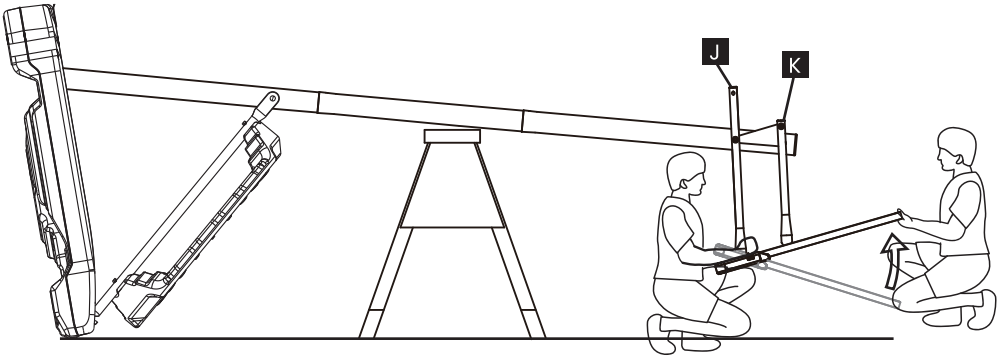


STEP 9


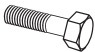








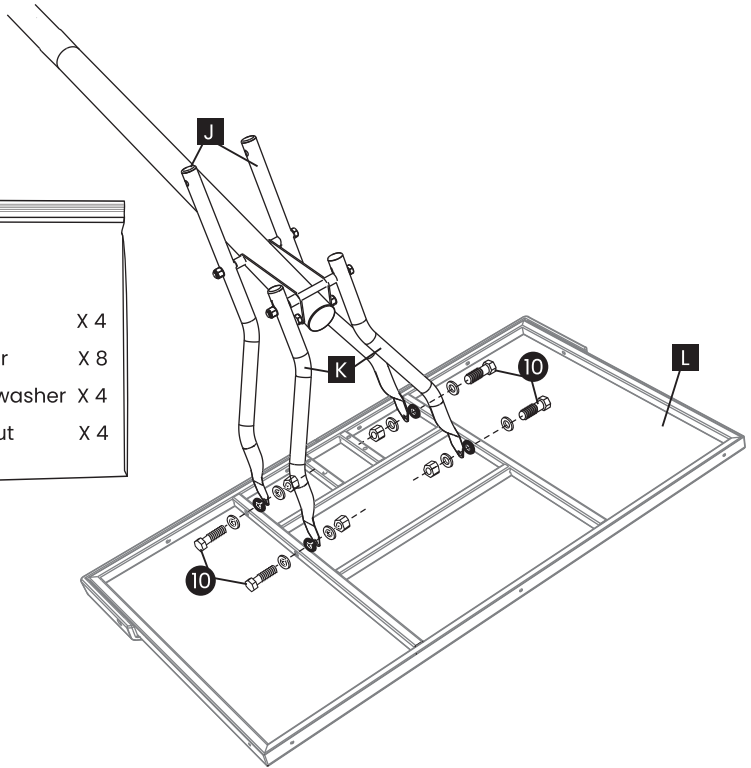
Warning! Two adults are required for assembly.

Connect Backboard (L) to Lifting Tubes (J & K) with Screw set (10) in **BAG-4**.



BAG-4

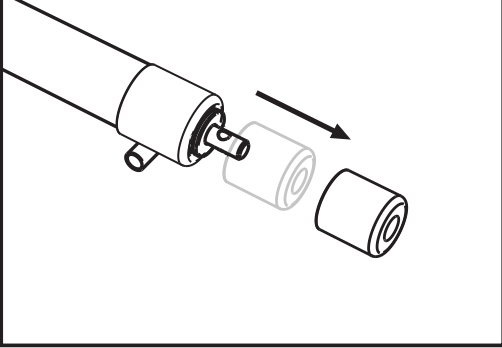
| | | | |
|---|---|--------------|-----|
|  |  | Bolt | X 4 |
|  |  | Washer | X 8 |
|  |  | Nylon washer | X 4 |
|  |  | Lock nut | X 4 |



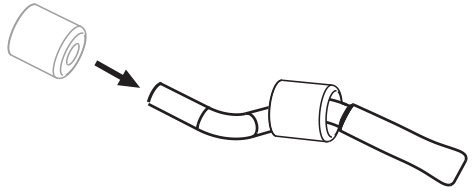
STEP 10

Height Adjustment Pole (O) Installation.

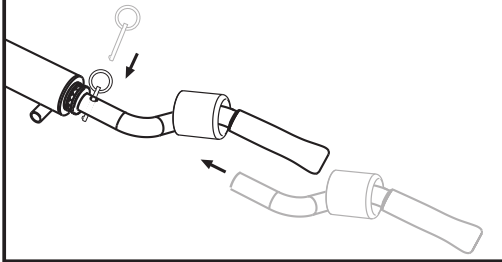
- 1 Pull off the plastic cover.



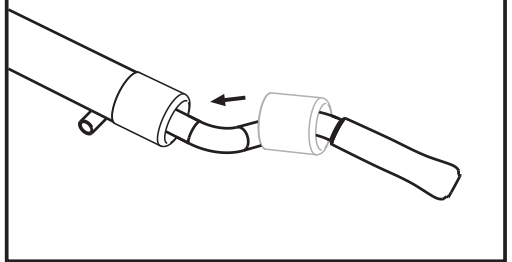
- 2 Insert the Crank Handle (O-2) through the plastic cover.



- 3 Install the Crank Handle (O-2) to the Height Adjustment Pole (O-1). Insert latch (14) of **BAG-5** through both (O-1) and (O-2) and connect them together.



- 4 Push the plastic cover back on (O-1).



STEP 11

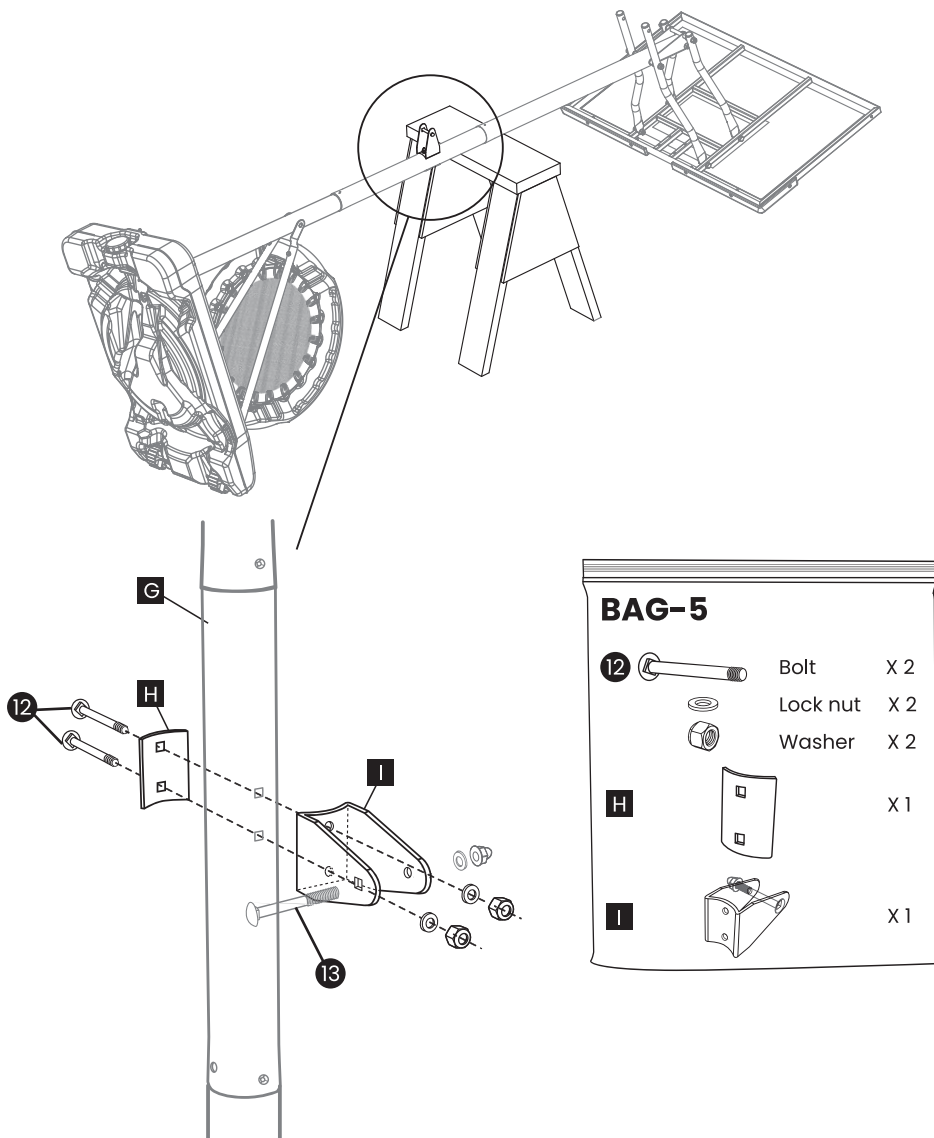


Warning! Two adults are required for assembly.

Install Middle Pole Mounting Plate (H) and (I) to Middle Pole (G) with Screw set (12) in **BAG-5**.

Attention:

- Middle Pole Mounting Plate (I) should face the back of the basketball hoop.

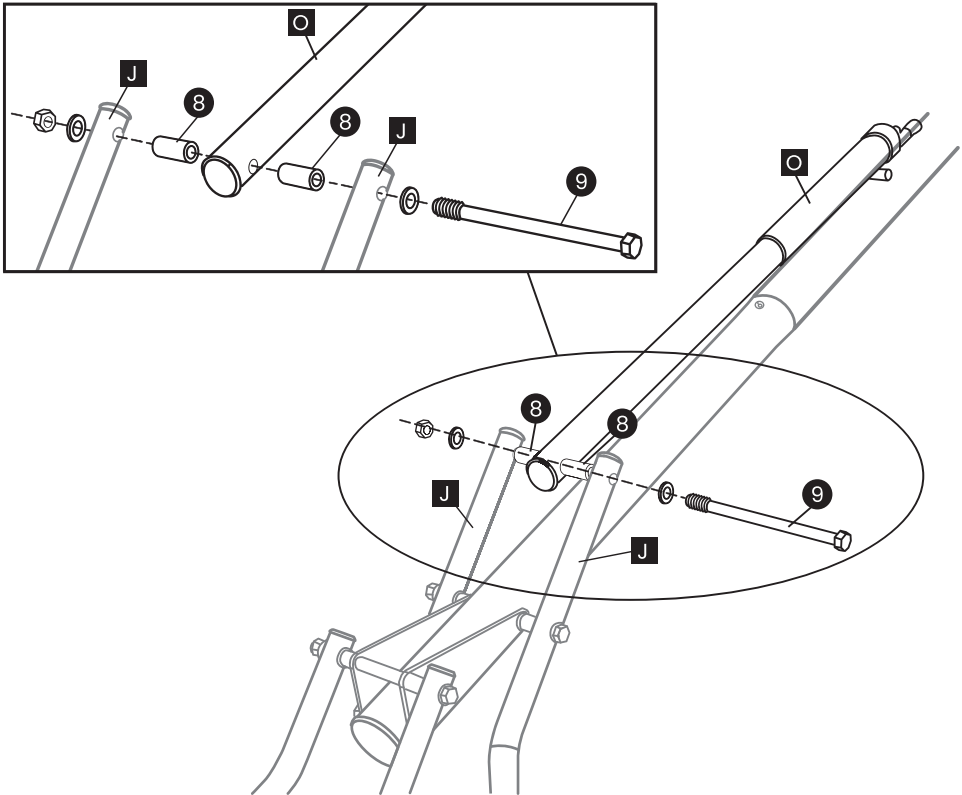


STEP 12

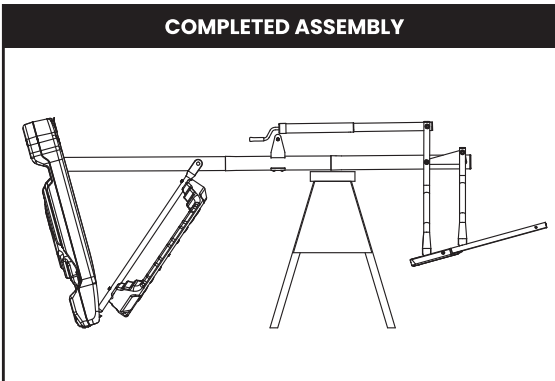


Warning! Two adults are required for assembly.

Install the upper part of the Height Adjustment Assembly (O) to the Lower Lifting Tube (J) with one Screw set (9) and two Plastic Spacers (8) in **BAG-3**.



COMPLETED ASSEMBLY



BAG-3

- | | | |
|--|----------------|-----|
| | Plastic Spacer | X 2 |
| | Bolt | X 1 |
| | Washer | X 2 |
| | Lock nut | X 1 |

STEP 13

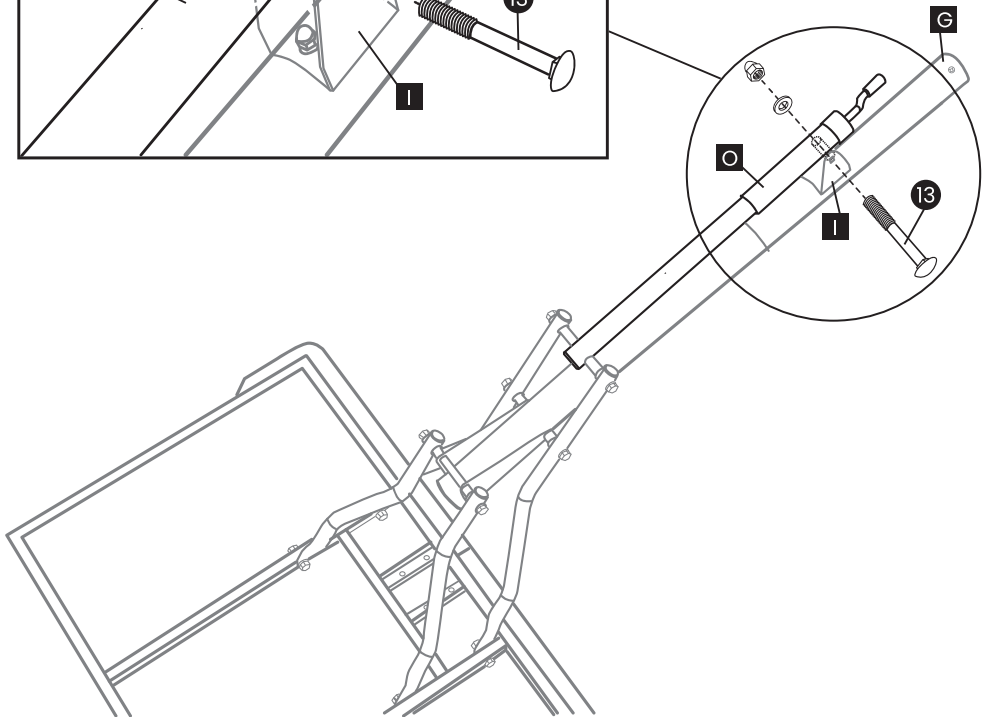
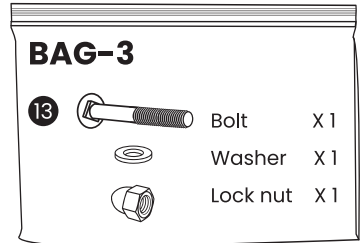
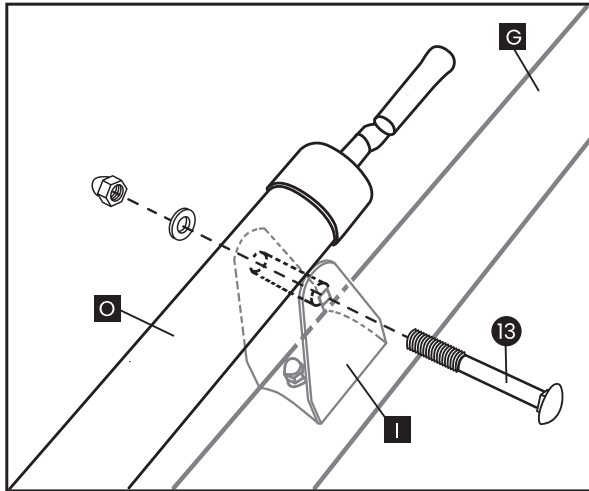


Fully tighten all hardware from step 6 to step 13 now.

Install the lower part of the Height Adjustment Assembly (O) to the Middle Pole Mounting Plate (I) with Screw set (13) in **BAG-5**.



Warning! Two adults are required for assembly.

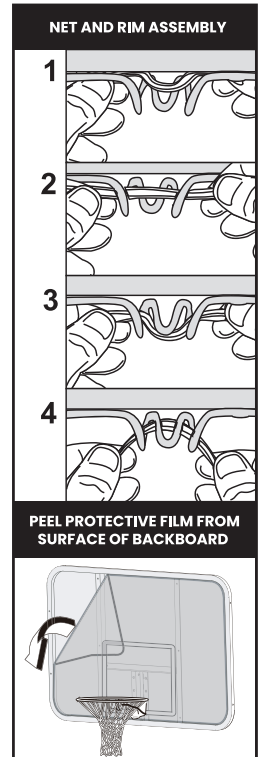
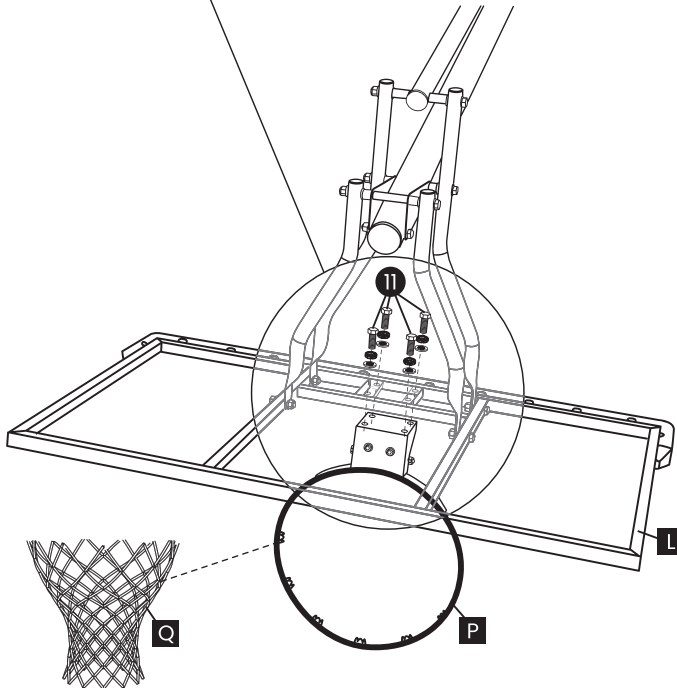
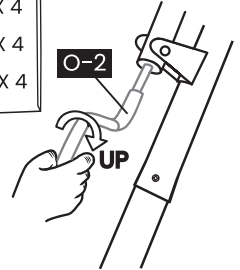
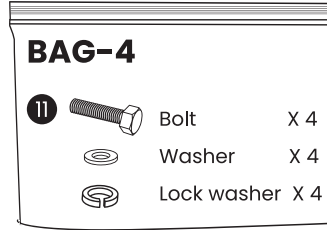
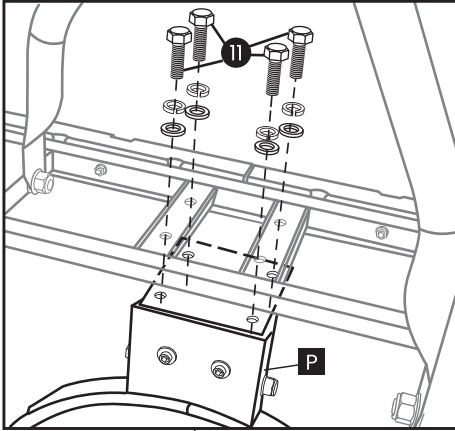


STEP 14



Warning! Two adults are required for assembly.

Rotate the Crank Handle (O-2) and adjust backboard (L) to 10ft height. Install the Rim (P) to the Backboard (L) with Screw set (II) in **BAG-4**. Install the Net (Q) to the Rim (P) as shown.

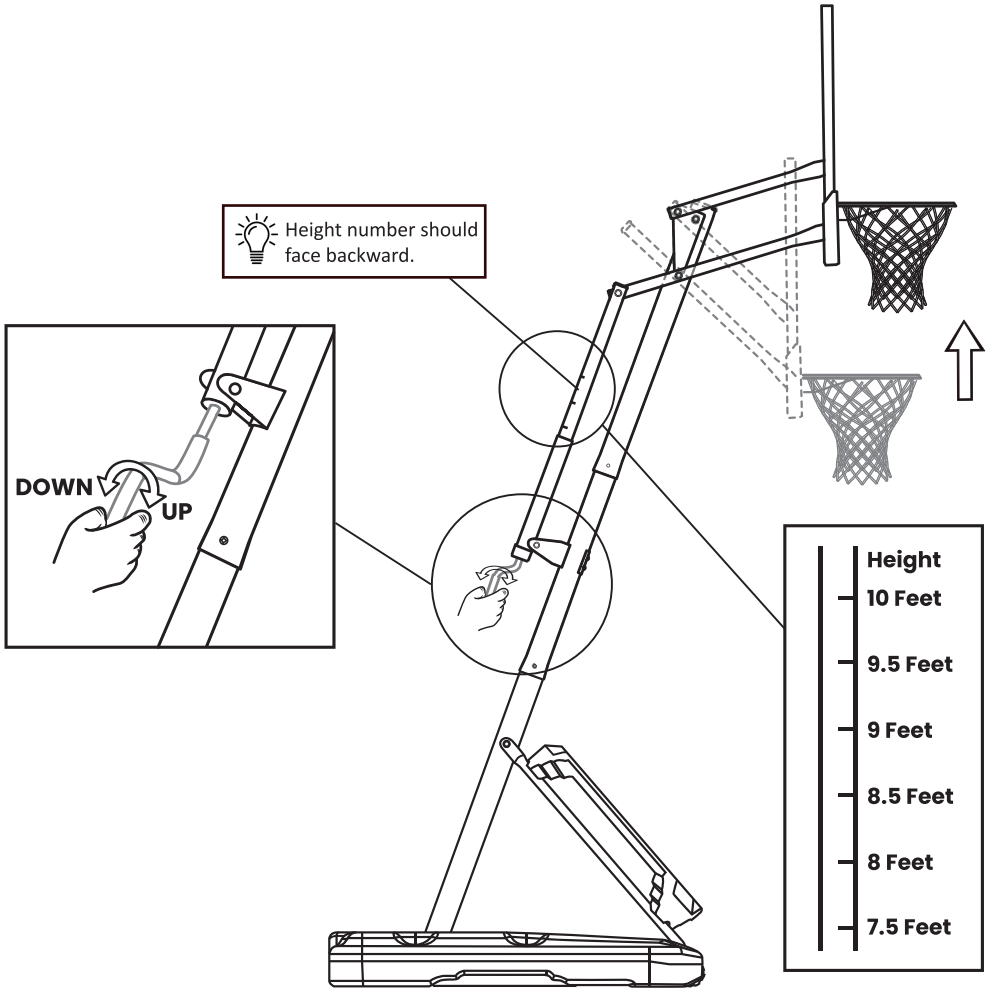


STEP 14

Please follow the picture below for height adjustment.

Note:

- Turn the handle clockwise to lift up the backboard.
- Turn the handle counter-clockwise to lower down the backboard.



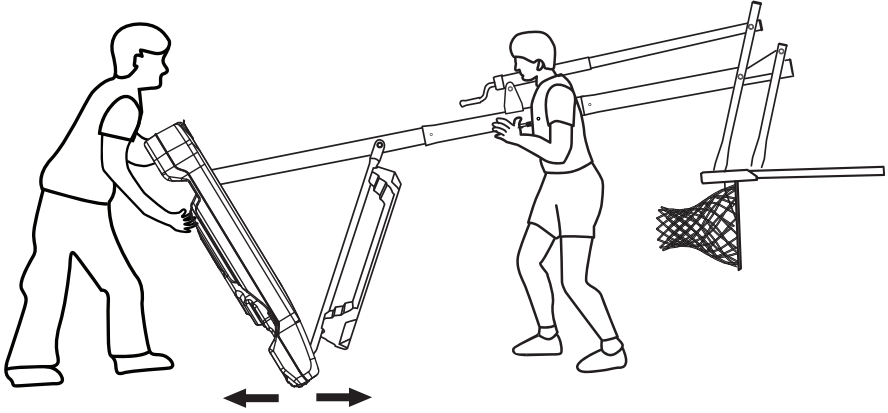
STEP 15



Warning! Two adults are required for assembly.

MOVING THE BASKETBALL HOOP

Two adults are required. To lower the backboard to its lowest height. Lift the back of the base and ensure that the wheels touch the ground. Start moving the basketball hoop as illustrated below to the desired location.

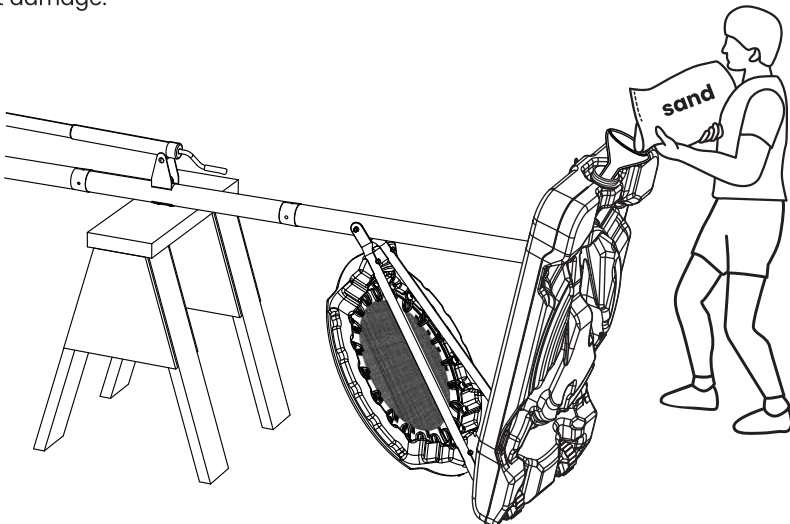


FILLING THE BASE

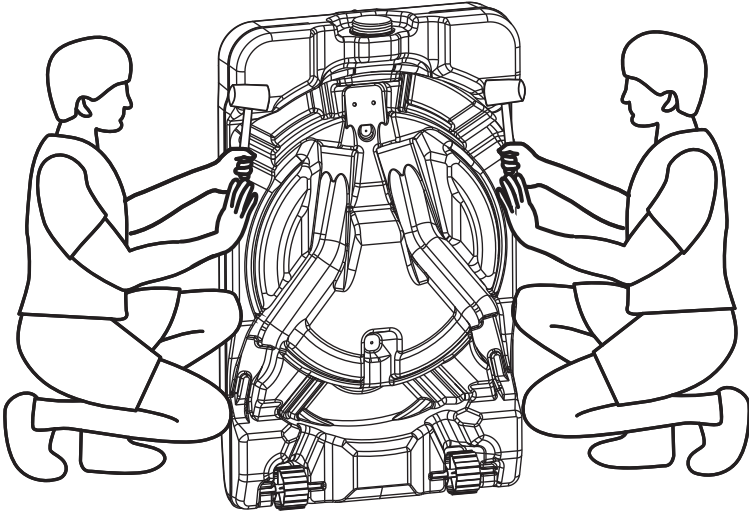
Place the basketball hoop carefully on a sawhorse or work table once it is moved to the desired location. To prevent damage to the rim while filling, adjust the backboard to its lowest position and use a support table higher than 35 inches. Then, start filling the base with sand.

WARNING:

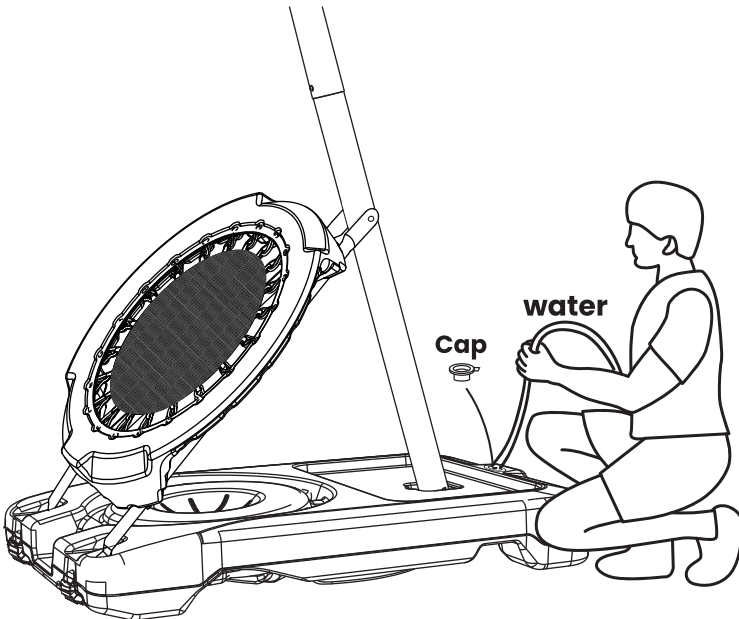
For safety reasons, please follow the instructions and fill this basketball hoop with a combination of dry sand and water. Failure to do so may result in serious injury and/or product damage.



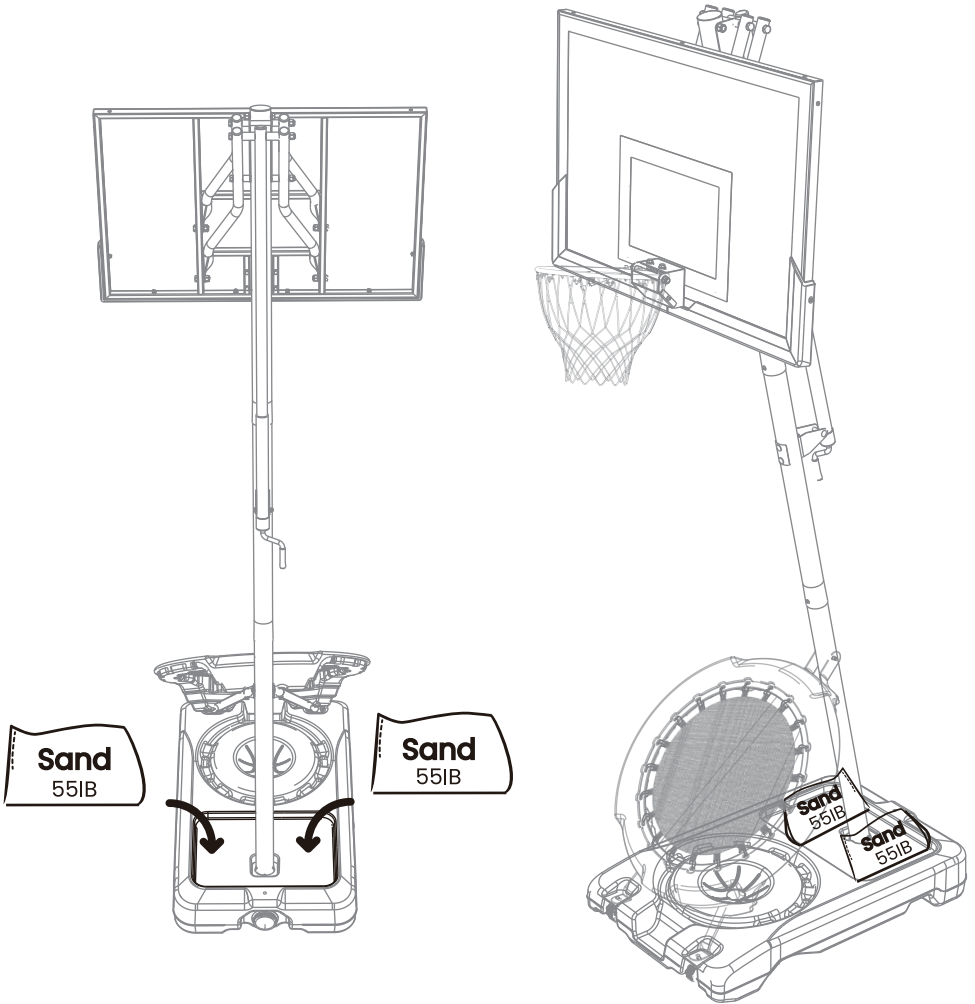
To start, fill the base with dry sand. To ensure that the sand reaches the bottom of the base smoothly, lightly tap the upper left and right areas of the base using a wooden or rubber hammer. Approximately 176 lbs. (80 kg) of dry sand should be added.



When finished filling the dry sand, filling it with 4.8 gallons of water is ALSO required.



After filling the sand and water, CAREFULLY upright the basketball hoop. Place two additional bags of sand (approx. 55lb or 25kg) on the base, as illustrated. Now, the basketball hoop is ready to use.



Save these instructions for future reference. For assistance:

Customer Service Mailbox: info@ie-sport.com
Customer Service Number: 909-966-9015

Hours of Operation: Mon-Sat 10:00am - 4:00pm EDT (9:00am - 3:00pm EST)

INNOVATIVE ENTERPRISE(US) 3647 De Forest Cir, Mira Loma, CA 91752



⚠ WARNING:

READ AND UNDERSTAND
OPERATOR'S MANUAL BEFORE
USING THIS UNIT.

FAILURE TO FOLLOW OPERATING
INSTRUCTIONS COULD RESULT IN
INJURY OR DAMAGE TO PROPERTY.

When your Rebounder has no more bounce, please contact us, buy accessory to reassembly a bouncy rebounder.

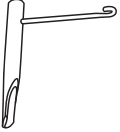
Customer Service Mailbox: info@ie-sport.com
Customer Service Number: 909-966-9015

Hours of Operation: Mon-Sat 10:00am - 4:00pm EDT (9:00am - 3:00pm EST)

INNOVATIVE ENTERPRISE(US) 3647 De Forest Cir, Mira Loma, CA 91752

Rebounder Installation Illustration:

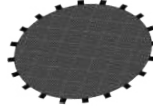
Please prepare the following accessories before installation:



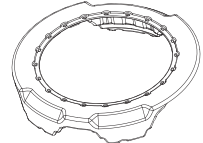
Hoop 1 pc



Elastic Cable Ties 20 pcs

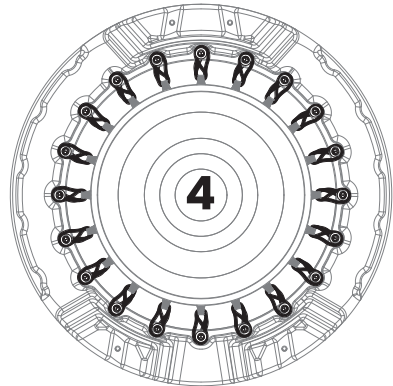
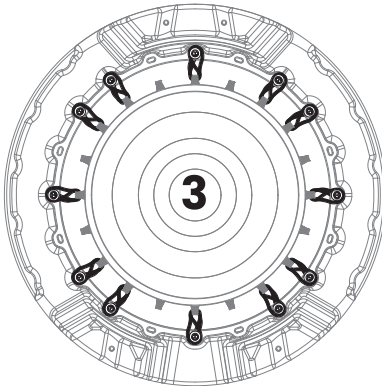
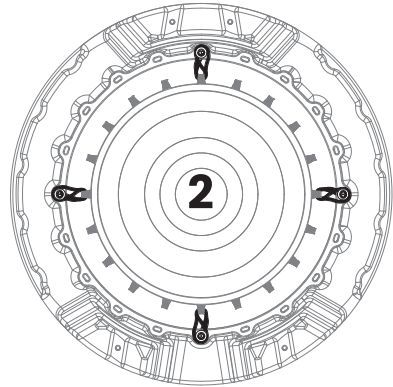
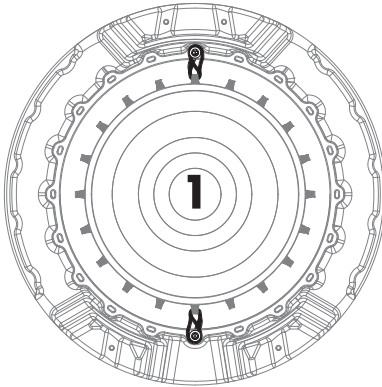


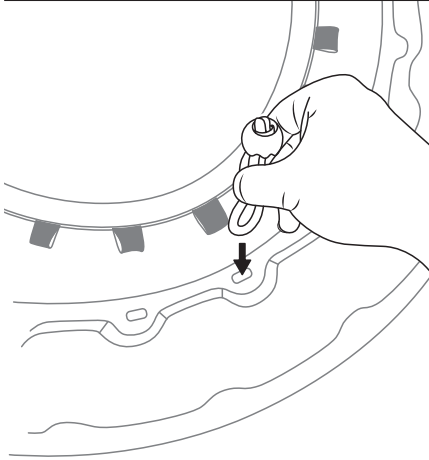
Mesh Fabric 1 pc



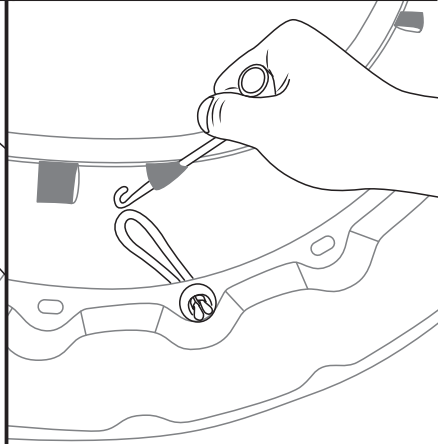
Rebounder Plate 1 pc

Following the installation order as shown below will make the installation easier and more efficient.

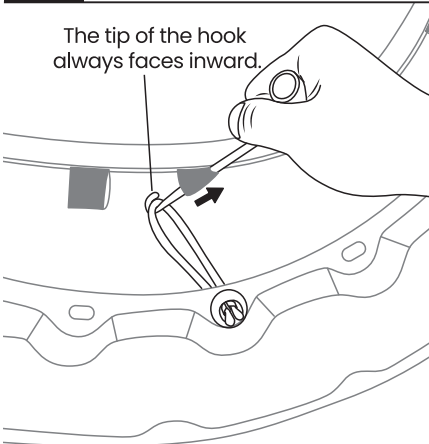


1

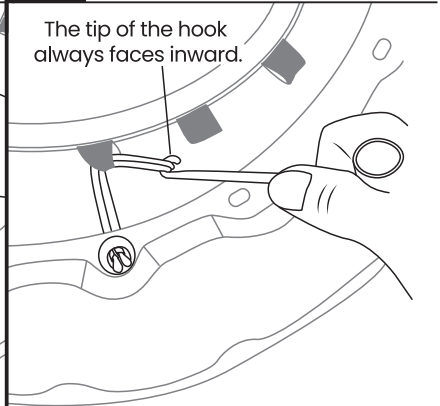
Place the rebounder with the back facing upwards.
Thread the elastic cable tie into the hole of the rebounder.

2

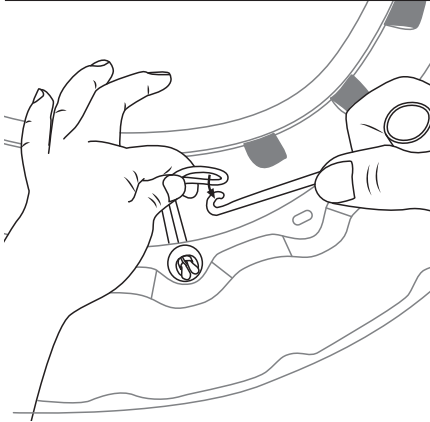
Use the hook and thread it through the mesh fabric loop.

3

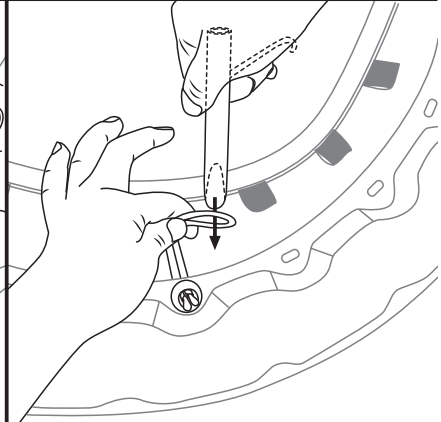
Use the hook and thread the elastic cable tie through the mesh fabric loop.
Attention: When pulling the cable, keep the hook tip inward to prevent the hook from scratching the mesh fabric loop when passing through it.

4

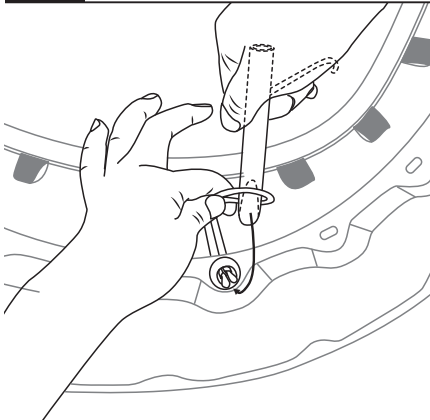
Hook the elastic cable tie and pull it through the mesh fabric loop.

5

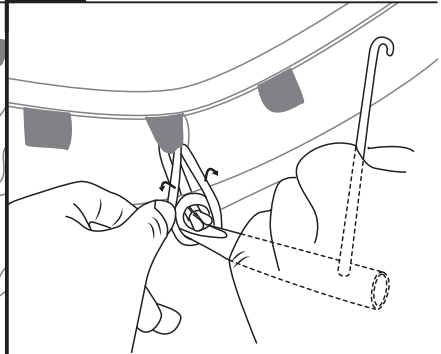
Grab the elastic cable tie that passes through the mesh fabric loop. Then, remove the hook from the elastic cable tie.

6

Follow the direction of the arrow, thread the hook handle through the plastic ball on the elastic cable tie.

7

As shown by the arrow, use the hook handle to pull the elastic loop through the plastic ball at the top of the elastic cable tie.

8

Pull the hook handle against the plastic ball, press the elastic cable tie downward. Let the elastic cable tie slide to the bottom of the plastic ball. Then, remove the hook handle. Repeat this step to complete the installation of the elastic cable ties.

POLE CARE AND SYSTEM MAINTENANCE

The life of your basketball hoop depends on many variables. The climate, exposure to corrosives such as salt, pesticides or herbicides, and excessive use, or misuse can all contribute to product damage, which may cause personal injury. Check your basketball hoop frequently for loose hardware, excessive wear, and signs of corrosion. For safety reasons, and to extend the life of your basketball hoop, you must take the following preventative measures:

1. Check all nuts and bolts. If any are loose, tighten them.
2. Check all parts for excessive wear and tear. If necessary, replace any parts that have been worn or damaged through usage.
3. Check all parts for visible rust, chips, or cracked paint. If any are present, do the following:
 - a) Use an emery cloth to completely remove any rust or chipped paint.
 - b) Clean the area with a damp cloth and allow it to dry.
 - c) Spray two coats of rust preventative, high gloss enamel paint on the area.

IF RUST HAS PENETRATED THROUGH THE POLE ANYWHERE, REPLACE THE POLE IMMEDIATELY!

WARNING!!!

NEVER PLAY WITH THE PORTABLE BASKETBALL SYSTEM WITHOUT FILLING UP THE BASE WITH WATER AND SAND FULLY, AS THE SYSTEM MAY TIP OVER CAUSING INJURIES.

SAFETY INSTRUCTIONS

- **DO NOT HANG** on the rim or any part of the hoop, including backboard, support braces, or net.
- During play, keep the player's face away from the backboard, rim, and net. Serious injury could occur if teeth/face come in contact with a backboard, rim, or net.
- Only adults should adjust or move the basketball hoop. When adjusting the height or moving the hoop, keep hands and fingers away from moving parts.
- Always check the unit to ensure that the base is full of water and sand, all nuts, bolts and hardware are tight before each use.
- The surface beneath the base must be smooth and free of gravel or other sharp objects. Punctures cause leakage and could cause the device to tip over.
- Two adults are required to complete the installation.
- Use extreme caution if placing the hoop on a sloped surface. The hoop may tip over more easily.
- Keep this manual for future reference.

FAQ

● **Q: Can I only fill water in the base and put the weight on top of the base?**

A: Please follow the instructions in the manual and fill the base with sand and water at all times. Failure to follow instructions could result in serious injury or property damage.

● **Q: What if the base is leaking?**

A: During transportation, there is a possibility of the base getting damaged due to collision, resulting in water leakage. Please contact our customer service and we will arrange to send you a replacement base.

● **Q: What if I find the components, parts, or bolts are missing?**

A: Please check all components, parts, and bolts before installation. If you find any missing, please contact our customer services to get a new replacement parts.

● **Q: How long does it take to set up a portable basketball hoop?**

A: The time required to set up a portable basketball hoop can vary depending on the model and your familiarity with the assembly process. Generally, it can take anywhere from 1 to 2 hours to set up a portable basketball hoop.

● **Q: Are there any specific maintenance requirements for a portable basketball hoop?**

A: Regularly inspect the hoop for any signs of wear or damage. Keep the components clean. Follow the manufacturer's maintenance instructions.

● **Q: Can I use a portable basketball hoop in high winds?**

A: It is not recommended to use a portable basketball hoop in high winds, as it can compromise the stability and safety of the hoop. It is best to secure or store the hoop during strong wind conditions.

● **Q: Are portable basketball hoops weather-resistant?**

A: Portable basketball hoops are generally designed to withstand outdoor weather conditions, but it is recommended to cover or store them during extreme weather conditions to prolong their lifespan.

● **Q: If I need to move my portable basketball hoop to a new location. What is the best way to do it?**

A: Basketball hoops can be heavy and awkward to move alone. To move the basketball hoop at least two adults are required. Please follow the instructions in the manual to move the basketball hoop.