

FAQ'S

- 1- Does the iGrip Magnetic Air Vent Car Mount interfere with phone quality?
The magnet will not cause interruption to your Smartphone's internet, cellular, or navigation quality when in use.
- 2- Do the metal plates affect my Smartphone wireless charging?
The metal plate may cause interference to Qi charging functions, once the metal plate is removed, Qi charging (wireless charging) will return back to normal.

WARRANTY STATEMENT

Amkette's iGrip Magnetic Air Vent Car Mount is backed by a 1 Year performance warranty against any manufacturing defects in material or workmanship from the date of original purchase. This warranty entitles the purchaser to get the product repaired or replaced under the following conditions:

- The warranty applies to the original purchaser. Proof of original purchase is required.
- The warranty does not cover the damage caused by misuse, abuse or improper storage.
- In no event shall Amkette be responsible for any direct, incidental, consequential or other damages of any kind.

Please contact our Technical Support Line and/or send the defective product, postage pre-paid, together with the proof of purchase to our Customer Care Service Center to avail warranty service. Return postage will be paid by us.

Customer Care Service Centre:

Amkette House, C-64 / 4, Okhla Phase - II, New Delhi - 110020

☎ 1800-11-9090 (Toll Free) (9:30 AM - 6:00 PM) Mon - Sat 📞 +91 9312691448 (9:30 AM - 6:00 PM) Mon - Sat ✉ techsupport@amkette.in

For Hassle Free Service Register your product online at

www.amkette.com/register

-4-

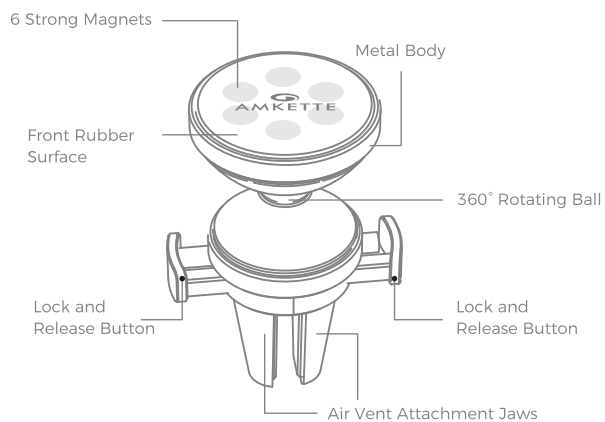
AMKETTE

iGrip Magnetic Air Vent Smartphone Car Mount

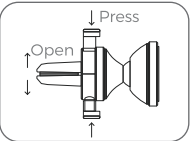
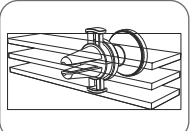


USER GUIDE

KNOW YOUR iGrip MAGNETIC AIRVENT CAR MOUNT



INSTALLATION STEPS

- STEP-1**

Press the **Lock and Release Button** to easily open the **Air Vent Attachment Jaws**.
- STEP-2**

Choose the location of the **Air Vent blade** where the mount needs to be installed and release the **Lock and Release Button**.

-2-

HOW TO ATTACH THE METAL PLATES

Using with a Case

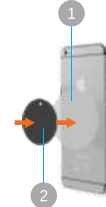
Place the **Rectangular Metal Plate** between your phone and case



Apply the **Rectangular Transparent Film** to your phone to avoid any scratches (Recommended)

Using without a Case

Apply the **Circular Transparent Film** on the outside of Smartphone (Recommended)



Stick the **Circular Metal Plate** on the **Circular Transparent Film**

The **TRANSPARENT FILM** ensures you can easily remove the Metal Plates and prevent any scratches to your Smartphone from the Metal Plates.

REMOVING SMARTPHONE FROM AIR VENT



IMPORTANT

Due to strong magnetic force, please remove Smartphone device at an angle (left, right, up or down) to prevent the mount from sliding off the vent blade.

-3-