

# Quick Start Guide\_Boomer FX Pro 30W Speaker \_ Booklet Style Printing

## SPECIFICATIONS

<b>Bluetooth</b>	: v5.0	<b>Charging Time</b>	: 4-5 Hrs
<b>Max Output</b>	: 30 Watt	<b>Charging-Type-C</b>	: TYPE C
<b>Rated Impedance</b>	: 32 Ohm	<b>MIC</b>	: YES
<b>Input</b>	: DC 5V/1 A	<b>Battery Capacity</b>	: 2400mAh
<b>Lighting</b>	: Dynamic RGB Light	<b>Bass Boosted Mode</b>	: YES
<b>Playback</b>	: BT, AUX, USB, SD Card	<b>Weight</b>	: 1200g
<b>TWS</b>	: YES	<b>Dimensions</b>	: 330*135*140mm
<b>Playback Time</b>	: up to 7 Hrs *		

\* At 60% Volume. Playback time may vary at different volume levels.

## WARRANTY

Amkette Boomer FX Pro Speaker is backed by a 1 year performance warranty against any manufacturing defects in material or workmanship from the date of original purchase. This warranty entitles the purchaser to get the product repaired or replaced at its discrete under the following conditions:

- The warranty applies to the original purchaser. Proof of original purchase is required.
- The warranty does not cover the damage caused by misuse, abuse or improper storage.
- In no event shall Amkette be responsible for any direct, incidental, consequential or other damages of any kind.

Please contact our Technical Support Line and/or send the defective product, postage pre-paid, together with the proof of purchase to our Customer Care Service Center to avail warranty service. Return postage will be paid by us.

**Customer Care Service Center**  
Amkette House, C-64/4, Okhla, Phase-II, New Delhi-110020

1800-11-9090 (Toll Free)  
(9:30 AM - 6:00 PM)

+91 9312691448  
(9:30 AM - 6:00 PM)

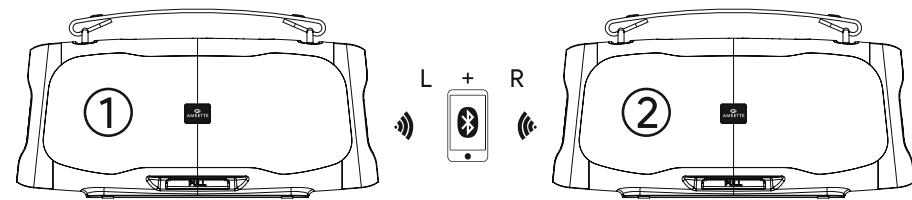
techsupport@amkette.in

For Hassle Free Service Register Your Product-[www.amkette.com/register](http://www.amkette.com/register)



## FRONT

### TWS (PAIR TWO SPEAKER)



#### Turn ON both the Speaker and enter the Bluetooth Mode

- Double Press the LED (M) Button. You will hear a beep sound confirming that speaker has entered the TWS Mode
- When speaker one enters the TWS mode you will hear a notification tone from speaker two confirming the successful pairing of the two.
- Turn on your Bluetooth device (Smartphone or Laptop) and connect with "Amkette Boomer FX Pro". Enjoy the double blast

To unpair the TWS functionality of the speaker double press Power (M) Button. You will hear a disconnected sound when TWS functionality is unpaired.

6

### POWER ON / OFF

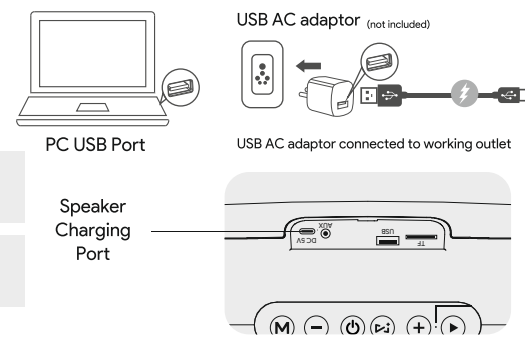
**POWER ON**  
Press and Hold the Power (M) Button for 3 Seconds

**POWER OFF**  
Press and Hold the Power (M) Button for 5 Seconds

### GETTING STARTED - CHARGING THE SPEAKER

Charge the speaker before use and keep speaker OFF for faster charging.

- Connect the included Type C Cable to the USB Charging Port of the speaker.
- Connect the standard USB plug end of the cable to a powered USB port on a Desktop / Laptop or any 5V USB AC adaptor (Not included).



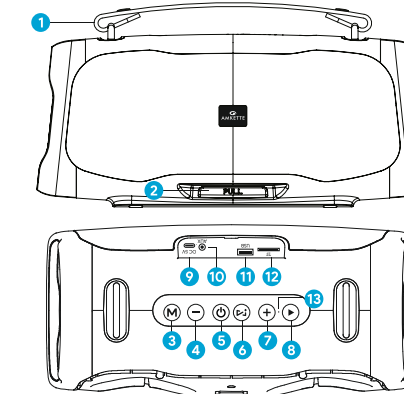
The status indicator light will be solid RED when charging and will turn OFF once fully charged.

**Low Battery:** Double beep sound when battery is under 10%.

3

## KNOW YOUR SPEAKER

- 1 Hand Strap
- 2 Phone Stand
- 3 Mode Button  
Voice Assistant  
Refer Page 5
- 4 Vol -
- 5 Power ON / OFF
- 6 TWS
- 7 Vol +
- 8 Play / Pause  
Bass Boost Mode  
Refer Page 5
- 9 Type C Charging
- 10 Aux Port
- 11 USB
- 12 SD Card
- 13 MIC



## WHAT'S IN THE BOX



2

## TROUBLESHOOTING

### The Speaker is not working.

- Check if the speaker is turned on and Volume is adjusted properly.
- Make sure that Bluetooth is enabled on the device you want to pair with the speaker. You can typically find this setting in your device's Bluetooth settings menu.

### There is no power when the speaker is turned on.

- Check the speaker's battery level and ensure that the speaker has enough battery life to function properly. If it's not charged, connect it to a power source using the provided charging cable. Make sure the charging port is clean and not damaged.

### The speaker is not getting charged.

- If the speaker is not charging, make sure that the charging cable is properly plugged into the speaker's charging port. Check the charging port for any debris or damage that may prevent the charging cable from making a secure connection.

### The speaker is unable to get paired with my device.

- Try pairing the speaker with a different device to see if the problem is with your original device.
- Check the Bluetooth range and ensure that your device is within range of the speaker. If you're too far away from the speaker, the Bluetooth connection may drop.

**Contact Customer Support:** If none of these troubleshooting steps work, contact customer support for further assistance

7

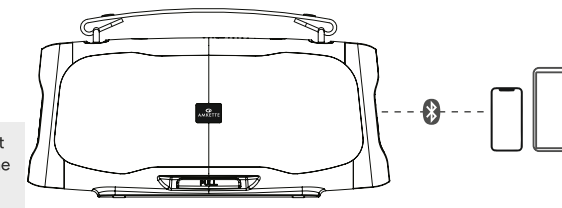
## BACK

### BLUETOOTH PAIRING

#### Bluetooth pairing with Smartphone or Laptop for the first time.

- Turn ON the Speaker.
- Open Bluetooth Setting on your device.
- Select "Amkette Boomer FX Pro".

Note: Under Bluetooth Mode, speaker will connect to the last paired device by default. To connect the speaker to another device disconnect from the original device.



### USB / MICRO SD PLAYBACK

- Simply insert a USB Drive or MICRO SD CARD to start listening.
- Single Press ( Volume + / - Button ) for Volume Up / Down.
- Long Press ( Volume + / - Button ) for Next / Previous track.
- Single Press ( Play / Pause Button ) to Pause the speaker.

Note: It supports FAT 32, EXFAT Drive.

### AUX PLAYBACK

Simply insert an AUX cable to enable AUX Playback.

4

### BASS BOOST MODE

Long Press Play/Pause (M) Button for 3 Sec to turn on the Bass Boost Mode and Get Ready for an Ultimate Party Punch.



### CHANGE RGB BACKLIGHTS

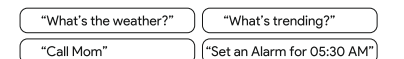
- Locate the LED (M) Button on the top of the speaker.
- Press the LED (M) Button to switch between the 7 RGB Light Modes
- Long Press LED (M) Button to turn OFF the RGB Lights

### VOICE ASSISTANT

You can use Voice Assistant on your speaker to access the Google Assistant (Android) or Siri (iOS) on your device. Press and Hold the Mode Button for 3 Seconds



Things to try



Note: The Speaker must be connected to your smartphone via bluetooth for Voice Assistant Activation

5