

Hello All,

The first newsletter of 2014 is finally here. We only like to send them out when we have enough new parts to make it interesting. As has been the case lately, the driving force in making new fittings is around dispensing beer.

Thanks again for your requests for new fittings and even buying the old ones as well.

**Mark and staff.**

*Success consists of going from failure to failure without loss of enthusiasm. - Winston Churchill*

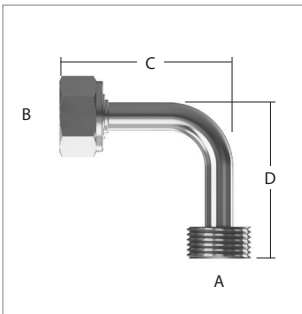
*Spring - the time of year that neighbors and weeds show up at the same time. - Anonymous*

*Book recommendation - David and Goliath: Underdogs, Misfits, and the Art of Battling Giants - Malcolm Gladwell*

## New Fittings for March 2014

### BEER NUT TO BEER THREAD - ELBOW

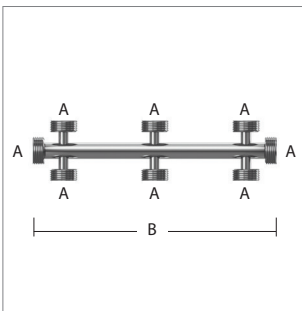
BEER



SKU	A (Threads)	B (Threads)	C (Length)	D (Height)	Material
7475	29/32" - 14	29/32" - 14	2.42" 61.50 mm	2.19" 55.60 mm	Stainless steel

### 8-WAY BEER CLEANING MANIFOLD - STRAIGHT

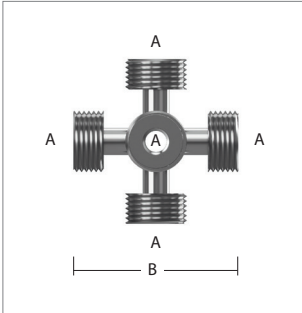
BEER



SKU	Threads	A (# of Outlets)	B (Length)	Material
7476	29/32" - 14	8	9.50" 241.30 mm	Stainless steel

**6-WAY BEER CLEANING MANIFOLD - STAR**

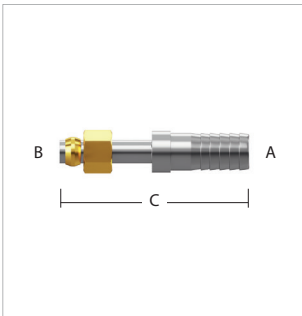
BEER



SKU	Threads	A (# of Outlets)	B (Length)	Material
7477	29/32" - 14	6	3.13" 79.50 mm	Stainless steel

**FEMALE FLARE TO BARB COMPRESSION**

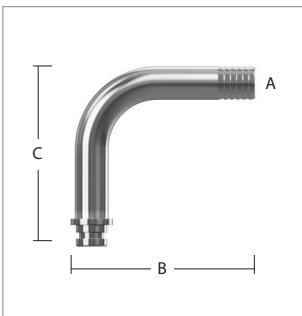
COMPRESSION



SKU	A (Barb)	B (Female Flare)	C (Length)	Material
7466	3/8" 9.96 mm	1/4" (7/16-20)	2.05" 52.10 mm	Stainless steel, brass

**SHURFLO INLET TO BARB - 90 DEGREE**

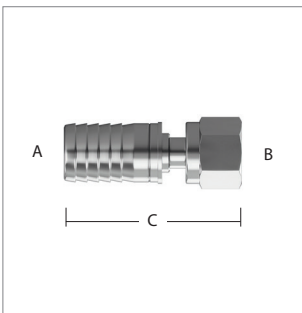
VALVES AND PUMPS



SKU	A (Barb)	B (Length)	C (Height)	Material
7470	1/2" 13.51 mm	2.91" 73.80 mm	2.91" 73.80 mm	Stainless steel

**STRAIGHT SWIVEL**

SWIVELS



SKU	A (Barb)	B (Nut)	C (Length)
7471	1/2" 13.51 mm	1/4" (7/16-20)	1.54" 39.10 mm