

Thanks.

That is the simple message from Fittings Inc. to you during this holiday season. We appreciate your business, comments, complaints, and payments. We are indebted to those who stopped by our stand during BrauBeviale - your feedback will make **My New Friend** better. We are very lucky in that many of our good friends happen to be clients as well.

We wish you and yours the best for 2015. May God grant you a profitable year, good health and peace for your family.

Thanks - Mark and staff.

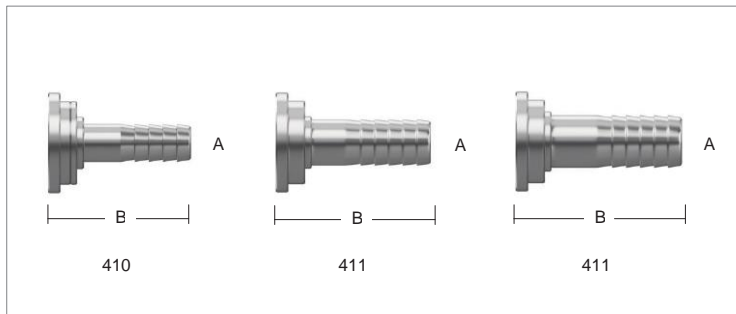
'We are what we repeatedly do. Excellence, then, is not an act but a habit.' – Aristotle

A book worth considering: 'Gutenberg's Apprentice' by Alix Christie

New Fittings for December 2014

BEER STEM

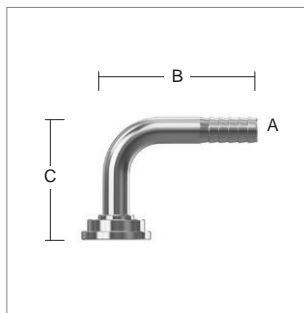
BEER



SKU	A (Barb)	B (Length)	Material
4102	1/4" 7.24 mm	1.07" 27.20 mm	304 Stainless Steel
4114	5/16" 8.71 mm	1.16" 29.50 mm	304 Stainless Steel
4115	3/8" 9.96 mm	1.25" 31.80 mm	304 Stainless Steel

BEER STEM ELBOW

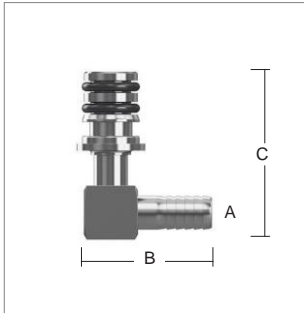
BEER



SKU	A (Barb)	B (Length)	C (Height)	Material
4103	1/4" 7.24 mm	1.88" 47.80 mm	1.31" 33.30 mm	304 Stainless Steel

SHURFLO QUICK CONNECT ELBOW

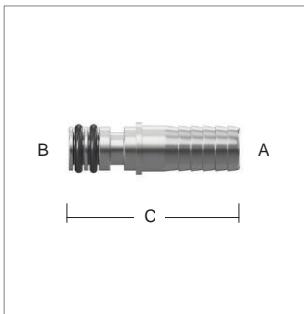
VALVES & PUMPS



SKU	A (Barb)	B (Length)	C (Height)	Material
7273	3/8" 9.96 mm	1.48" 37.60 mm	1.94" 49.30 mm	Stainless Steel
7277	1/2" 13.51 mm	1.42" 36.10 mm	1.94" 49.30 mm	Stainless Steel

SCHROEDER VALVE INLET - STRAIGHT - DOUBLE O-RING

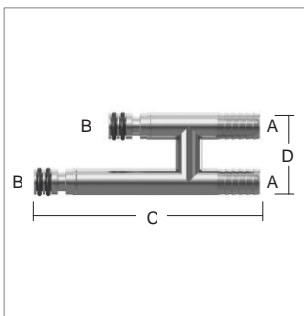
VALVES & PUMPS



SKU	A (Barb)	B (Inlet)	C (Length)
9029	3/8" 9.96 mm	Dole	1.46" 37.10 mm

SCHROEDER VALVE INLET - RECIRCULATION - DOUBLE O-RING

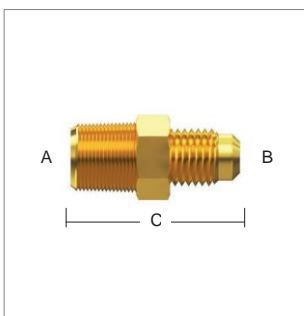
VALVES & PUMPS



SKU	A (Barb)	B (Inlet)	C (Length)	D (Height)
9030	3/8" 9.96 mm	Dole	3.37" 85.60 mm	1.26" 32.00 mm

NPT TO MALE FLARE

CHECK VALVES



SKU	A (NPT)	B (Male Flare)	C (Length)	Material
1068	1/4"	1/4" (7/16-20)	1.25" 31.0 mm	Brass