

We are winding down the year and bidding good riddance to 2013. Thanks for the business and support throughout the year.

You all should have received the good news of a slight price increase of 2 percent starting in January. Please remember we are a manufacturer – so if you do not see what you need please ask us.

One of our goals for next year is to provide the opportunity to order from our website.

Best wishes for the Holiday Season and the New Year.

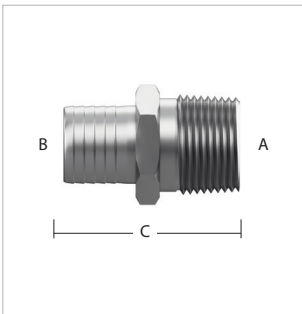
**Merry Christmas,
Mark and staff.**

Book recommendation: The Art of Possibility - Benjamin and Rosamund Zander

New Fittings for December 2013

3/4" BARB TO 3/4" MALE NPT ADAPTER

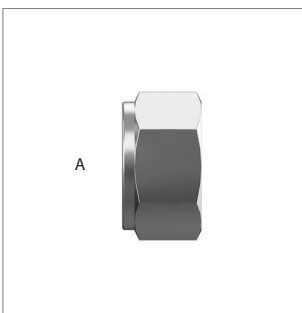
ADAPTERS – STRAIGHT & ELBOWS



SKU	A (NPT)	B (Barb)	C (Length)
3367	3/4"	3/4" 19.86 mm	1.70" 43.20 mm

BEER BARB SWIVEL NUT

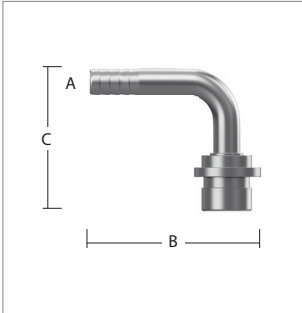
BEER



SKU	A (Threads)	Material
3340	29/32" - 14	Stainless steel

BEER VALVE (COLLARED) TO 1/4" BARB ELBOW

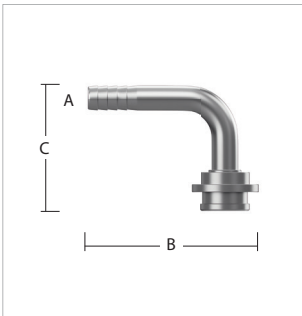
BEER



SKU	A (Barb)	B (Length)	C (Height)	Material
7399	1/4" 7.24 mm	1.85" 12.70 mm	1.55" 39.30 mm	Stainless steel

BEER VALVE (COLLARED - SHORT) TO 1/4" BARB ELBOW

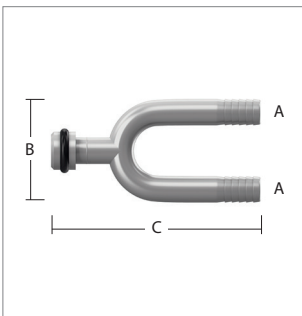
BEER



SKU	A (Barb)	B (Length)	C (Height)	Material
7480	1/4" 7.24 mm	1.85" 12.70 mm	1.37" 34.80 mm	Stainless steel

FLOJET TO U-BEND

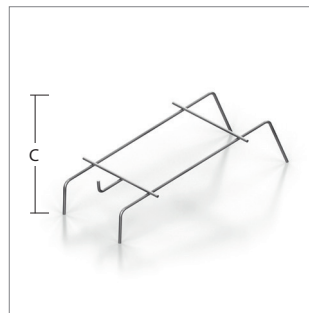
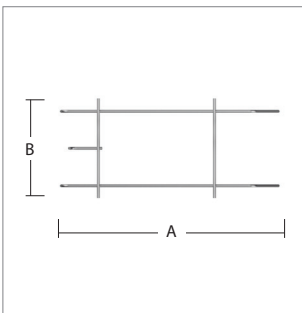
VALVES AND PUMPS



SKU	A (Barb)	B (Length)	C (Height)
7344	3/8" 9.96 mm	1.53" 38.86 mm	3.09" 78.49 mm

COLD PLATE RACK FOR JOCKEY BOX

COLD PLATES



SKU	A (Length)	B (Width)	C (Height)	Material
4124	19.88" 504.80 mm	9.00" 228.60 mm	5.06" 128.60 mm	Stainless steel