

This is the first “newsletter” we have published. We are continually making new fittings but not always letting the rest of our customers know. So our intention is to publish this every month or so, to let you know what’s new.

As a reminder we are a manufacturer, so if you need something that you cannot find in our catalog, ask us and we might already have it or be able to make it. In fact most new fittings that we produce are at the request of customers.

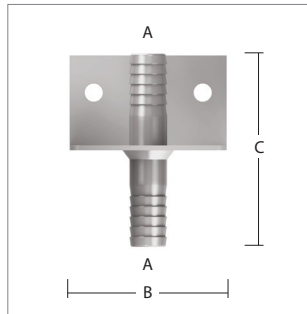
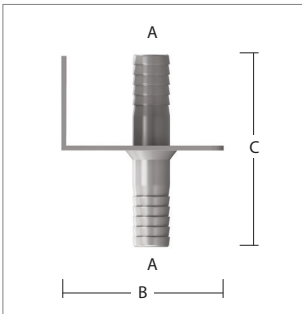
These new fittings will also be added to our website [www.fitandcp.com](http://www.fitandcp.com). Any suggestions about our website, newsletter, etc. are valued.

**Thanks for the business – Mark and staff.**

“Your life (business) is perfectly designed for the results you’ve been getting” – D. Willard

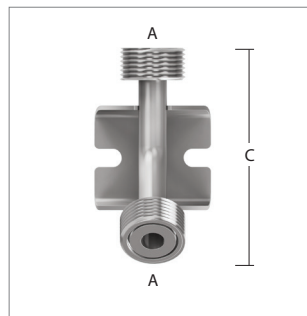
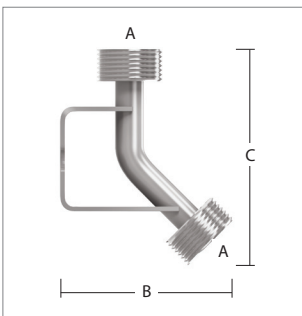
## New Beer Fittings for April 2013

### WALL BRACKET - STRAIGHT SPLICER



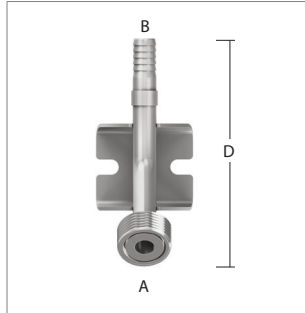
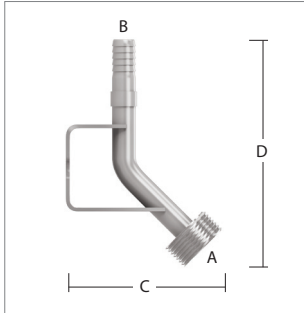
SKU	A (Barb)	B (Length)	C (Height)
4119	3/8" 9.96 mm	1.69" 42.90 mm	2.00" 50.80 mm

### WALL BRACKET - 45° MALE FLARE TO MALE FLARE



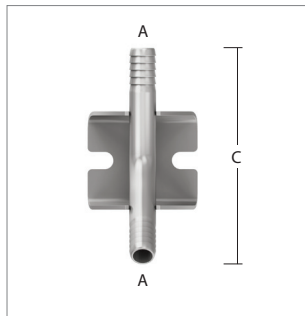
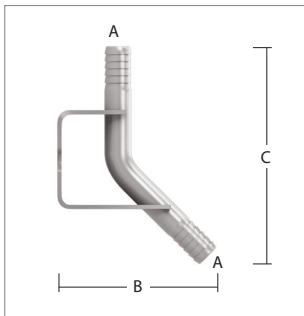
SKU	A (Male Flare)	B (Length)	C (Height)
9403	7/8"-14 (5/8" BSP)	1.60" 40.60 mm	3.00" 87.60 mm

### WALL BRACKET - 45° MALE FLARE TO BARB



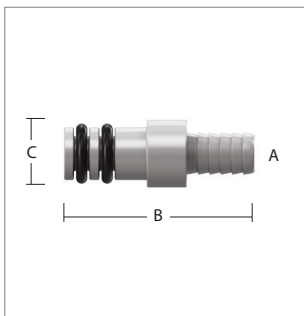
SKU	A (Male Flare)	B (Barb)	C (Length)	D (Height)
9404	7/8"-14 (5/8" BSP)	3/8" 9.96 mm	1.60" 40.60 mm	3.45" 87.60 mm

### WALL BRACKET - 45° SPLICER



SKU	A (Barb)	B (Length)	C (Height)
9406	3/8" 9.96 mm	1.60" 40.60 mm	2.79" 69.90 mm

### JUG GROWLER FILLER



SKU	A (Barb)	B (Length)	C (Height)
1056	3/8" 9.96 mm	1.77" 45.00 mm	0.49" 12.40 mm