



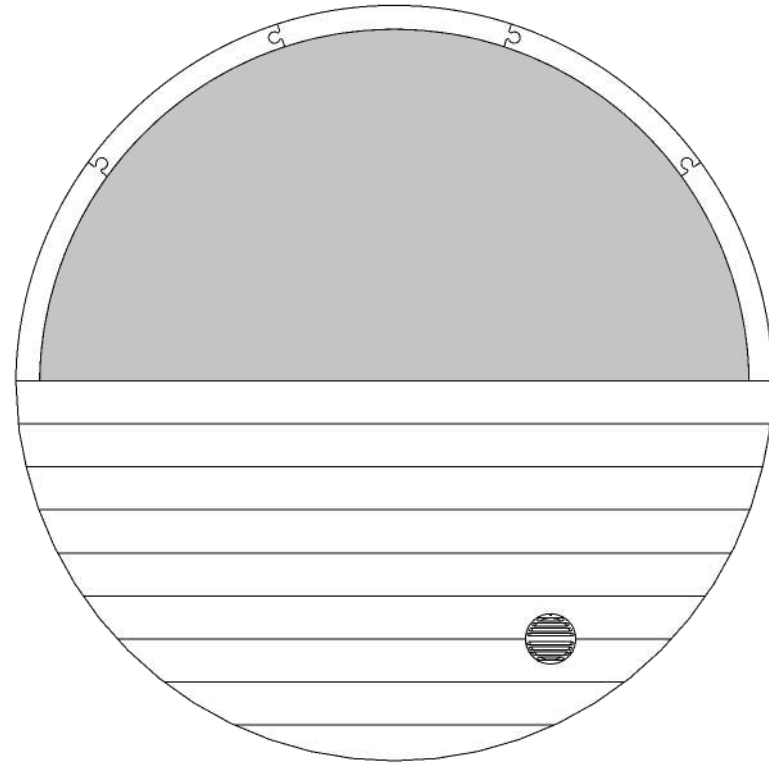
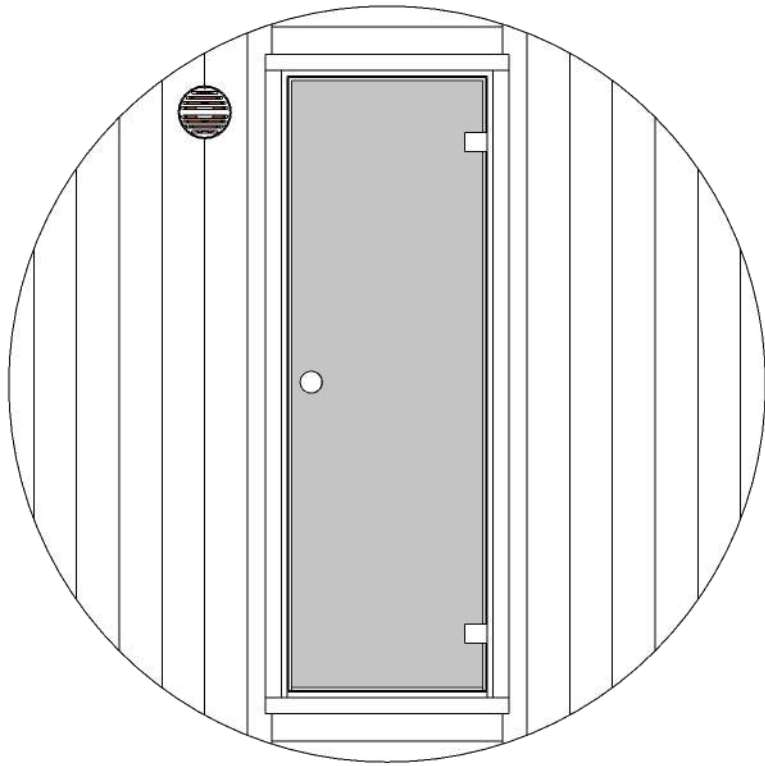
Ergo-Series E8W Barrel Sauna  
Half Glass Window 87D" x 81H"



Note: Please read manual before construction

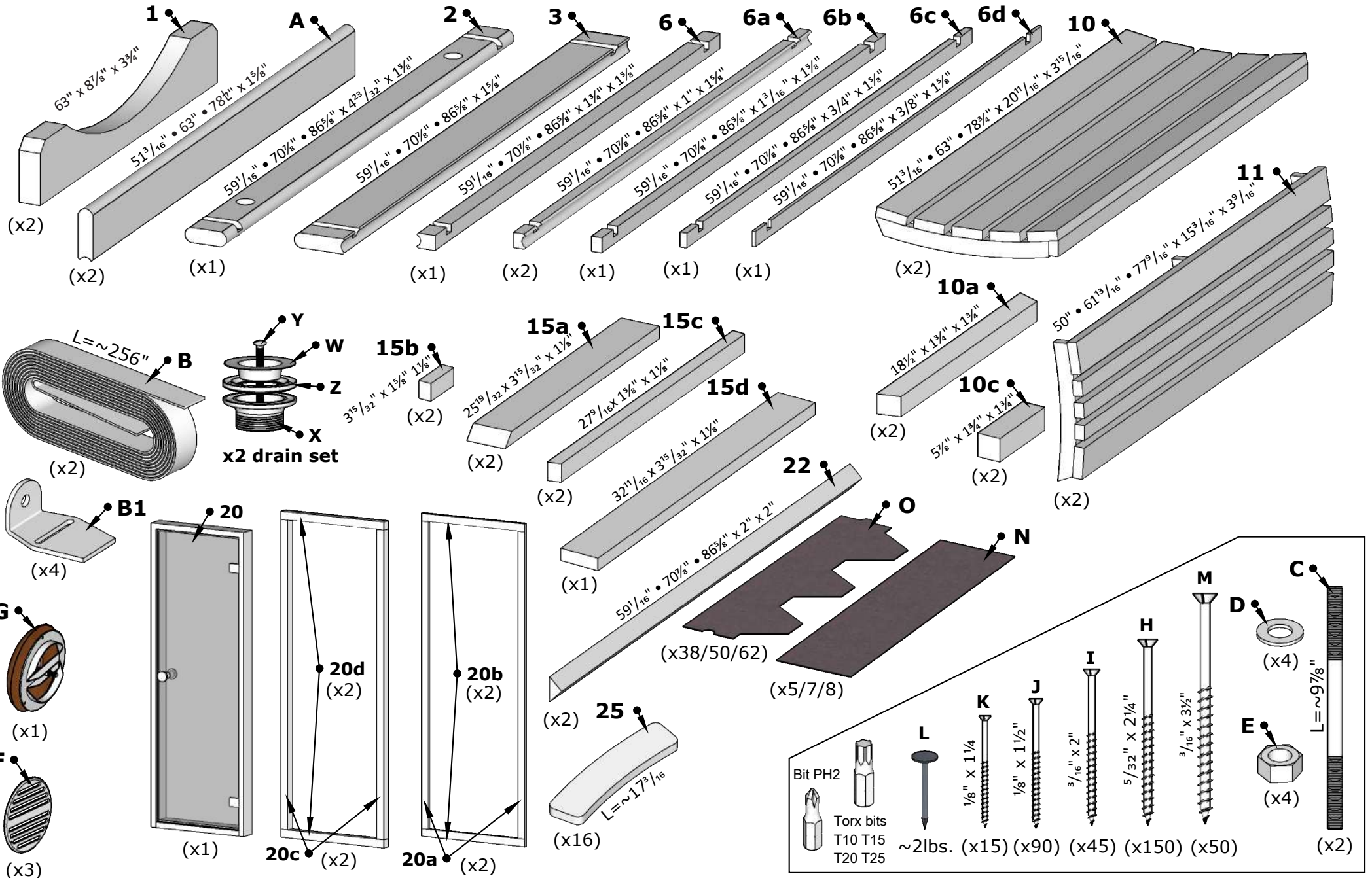
Rev 4/2023

# Front & Back Walls

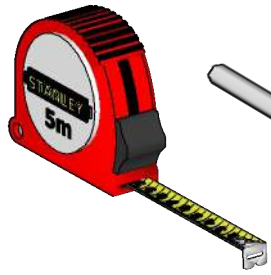


# E8W Barrel Sauna 87D" x 81H"

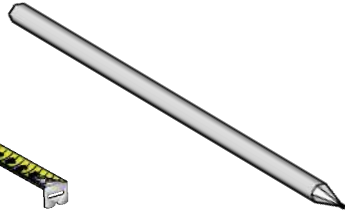
## Details list.



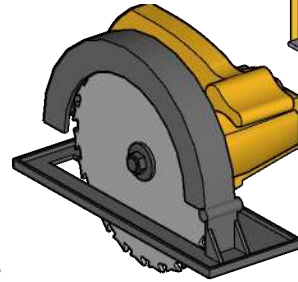
# Tools needed



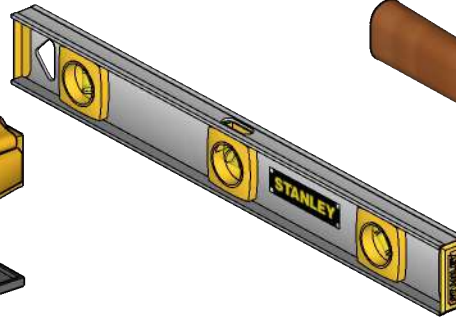
Measuring tape



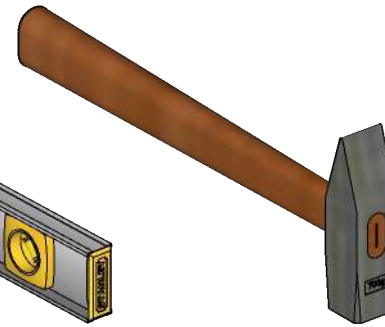
Marker pen



Circular saw



Water level



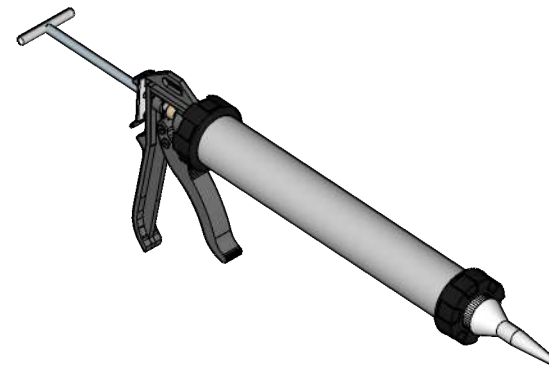
Hammer



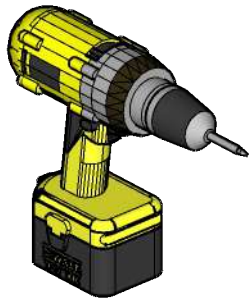
Extra hands



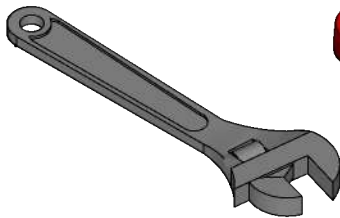
Ratchet strap



Silicone gun  
(Only glass-wall models)



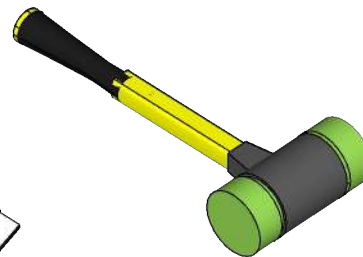
Drill



Crescent wrench

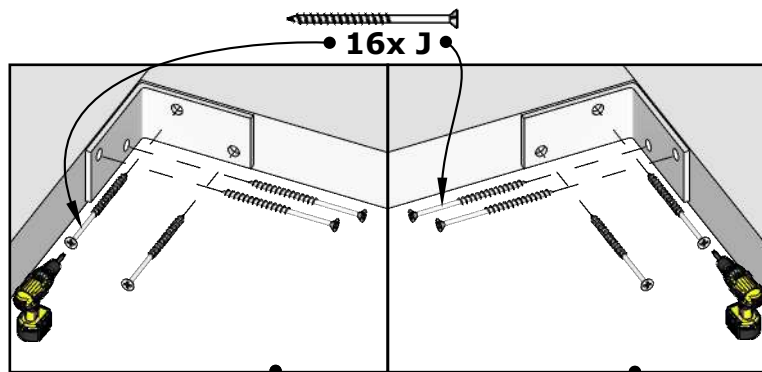
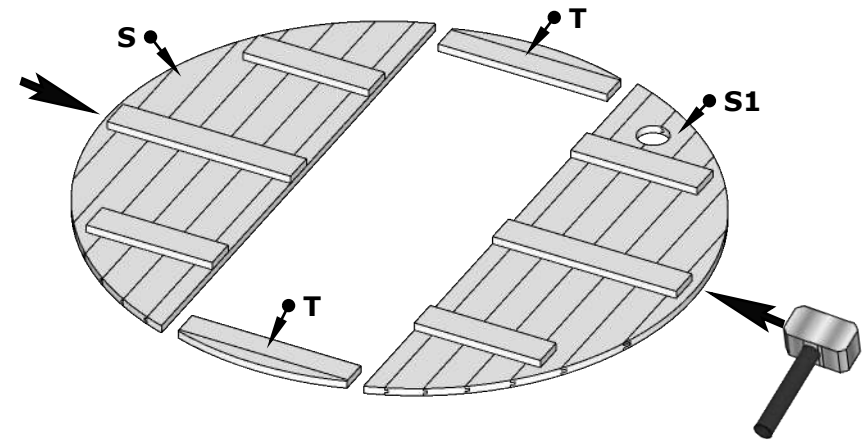
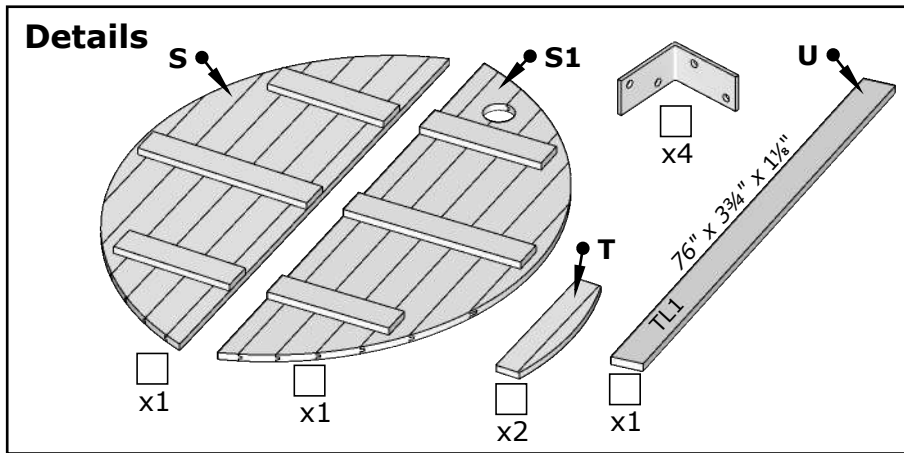


Utility knife

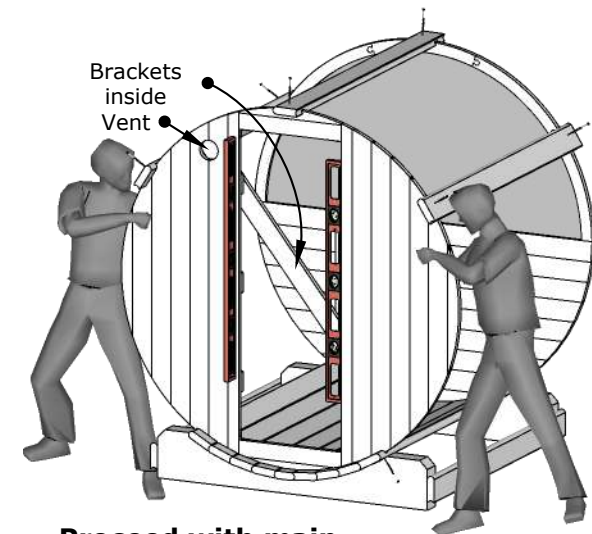
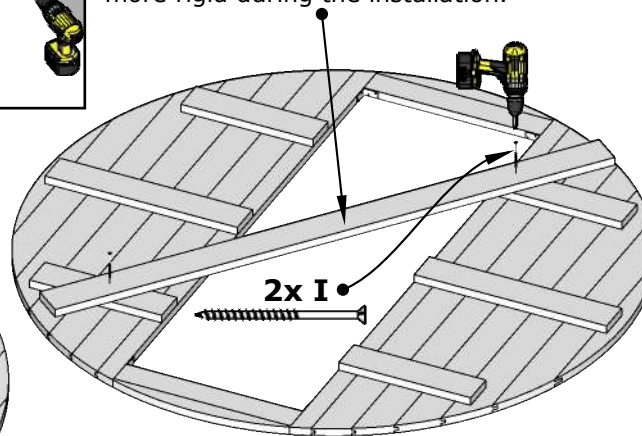
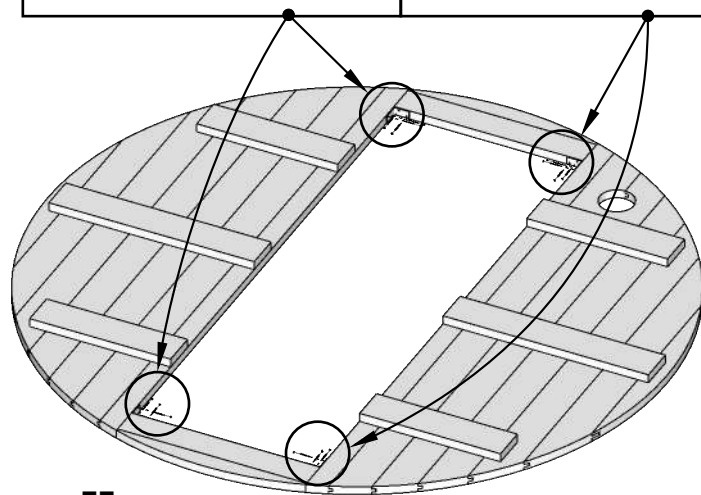


Rubber mallet

# Wooden front wall installation

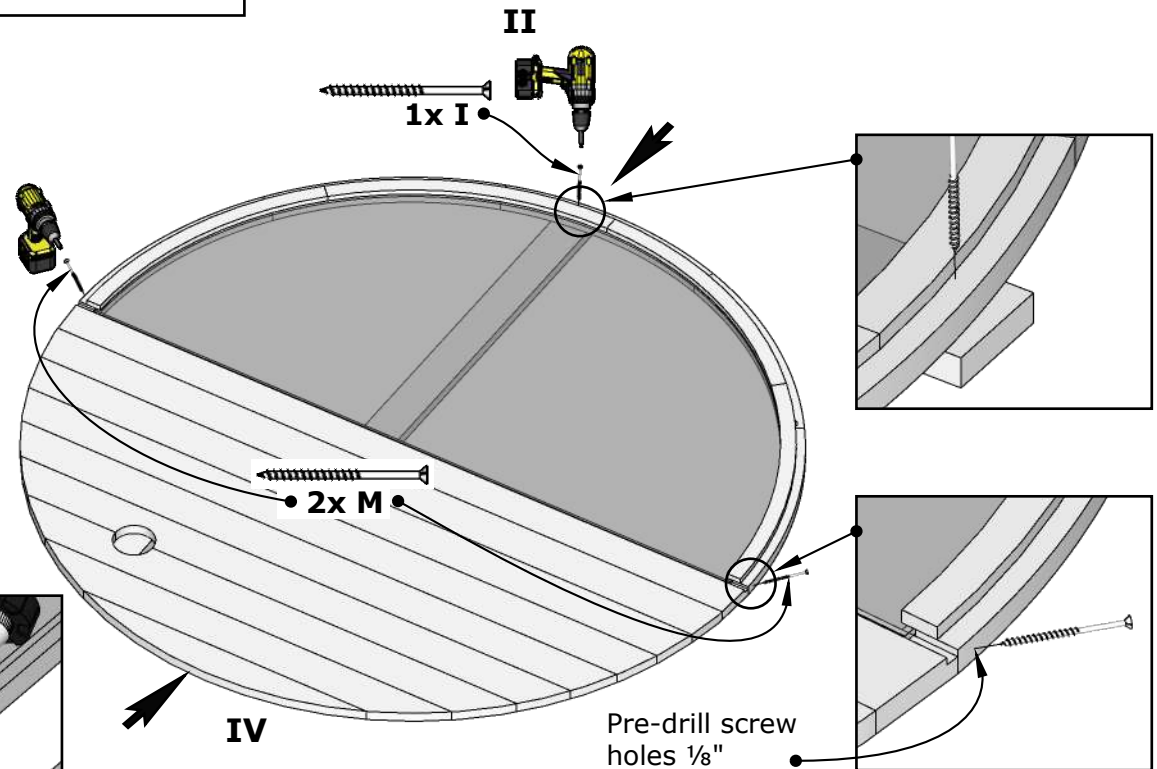
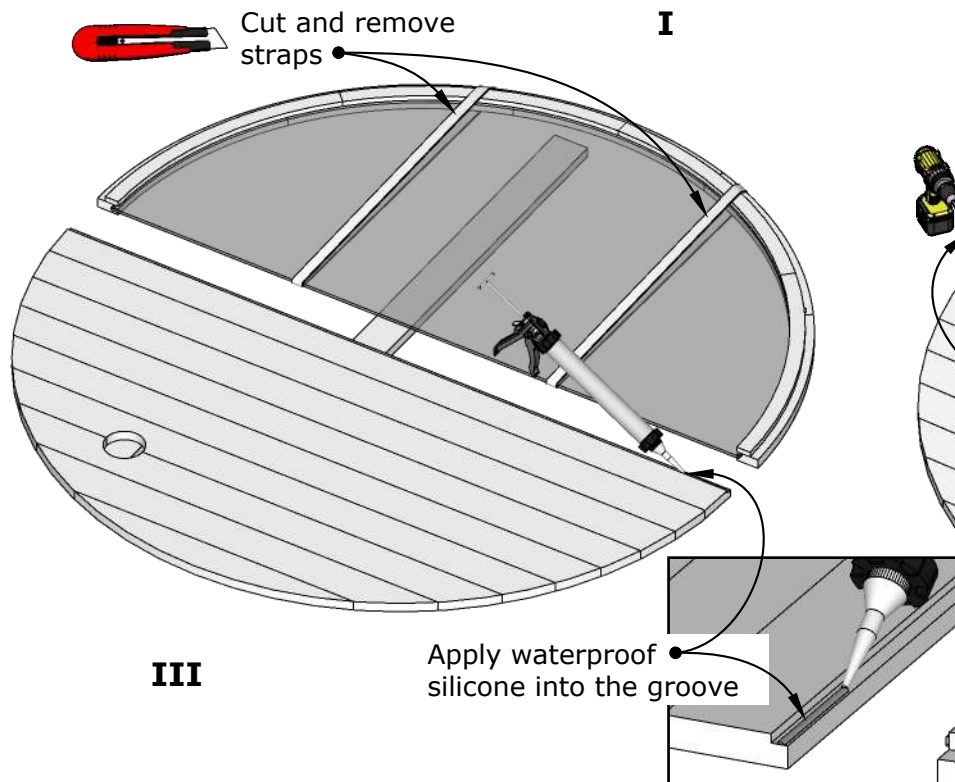
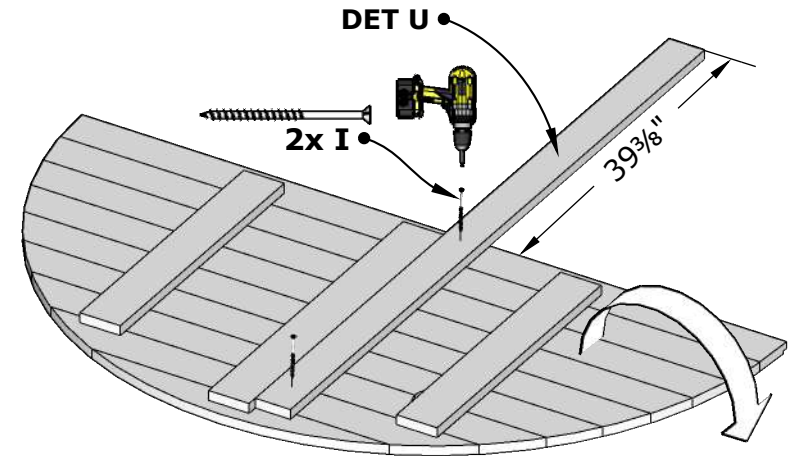
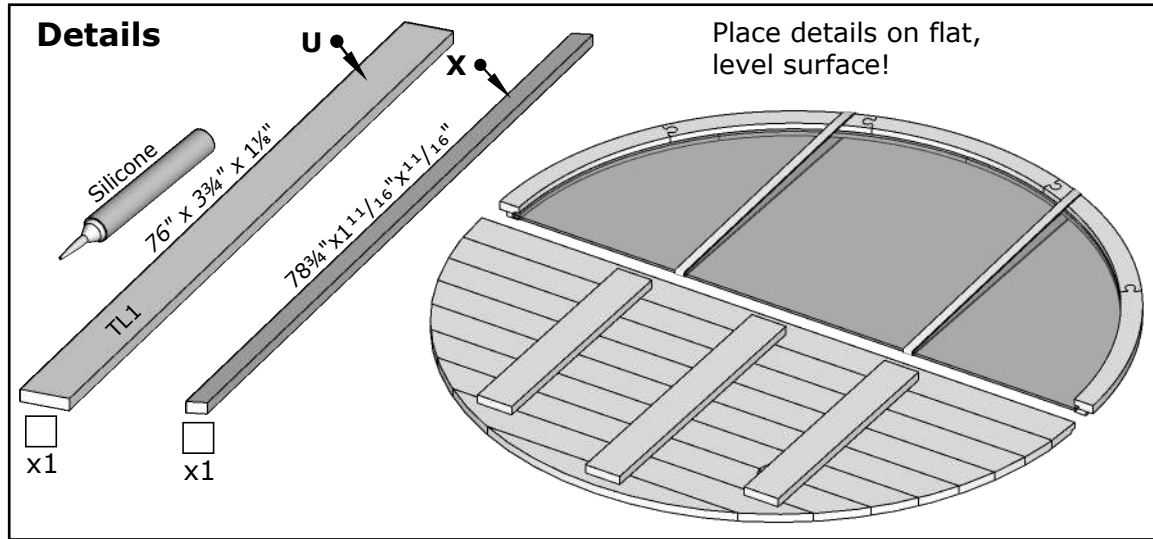


**DET U** Fix it diagonally to make wall more rigid during the installation.



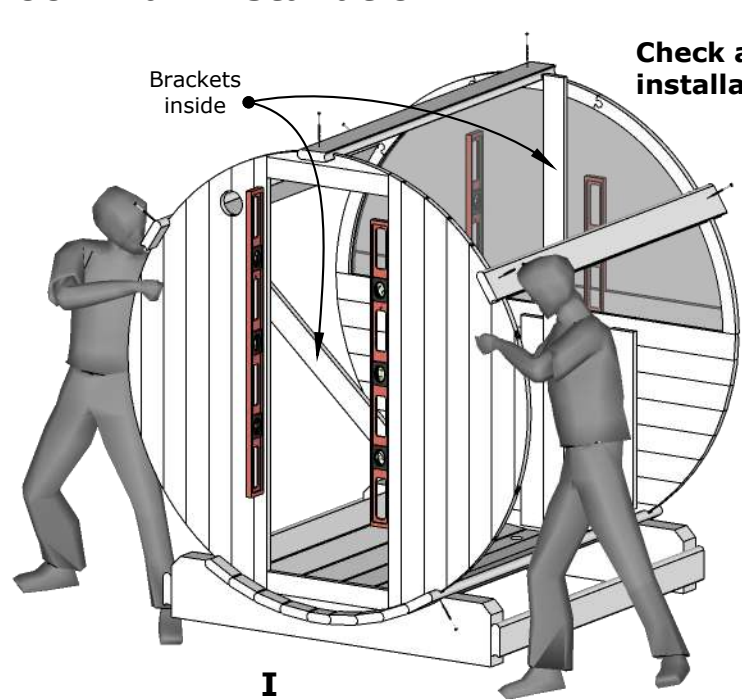
**Proceed with main installation manual!**

# Half-moon wall installation

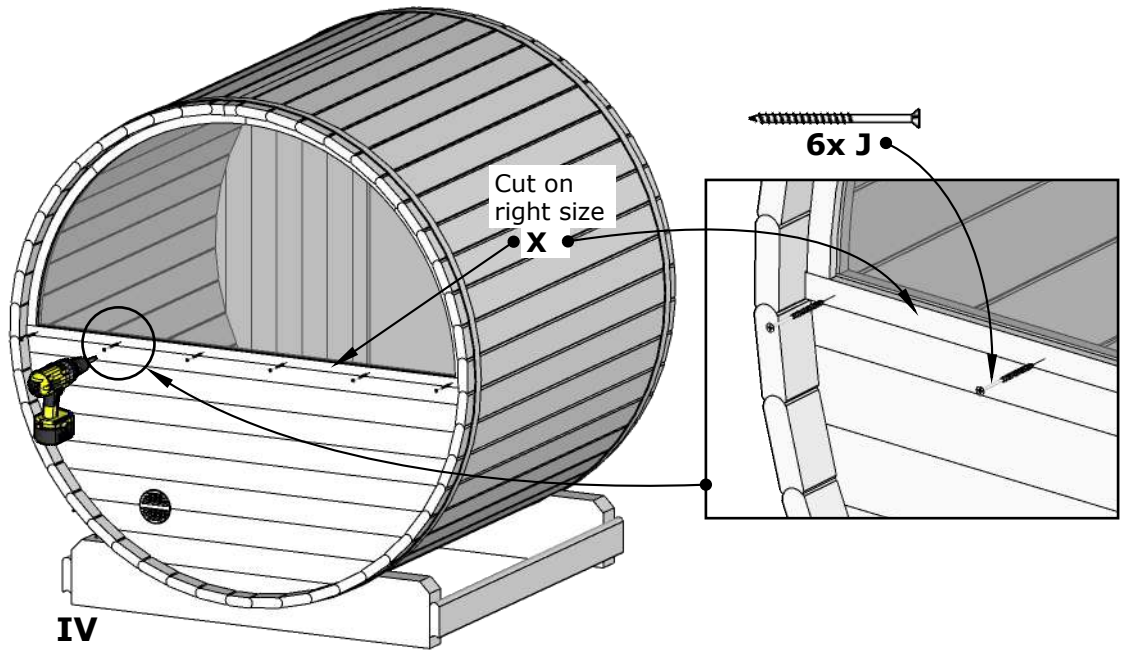
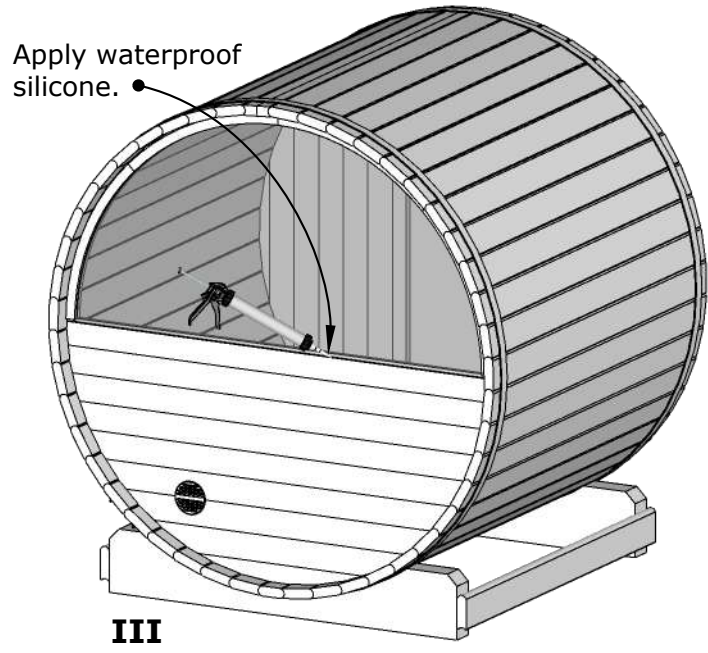
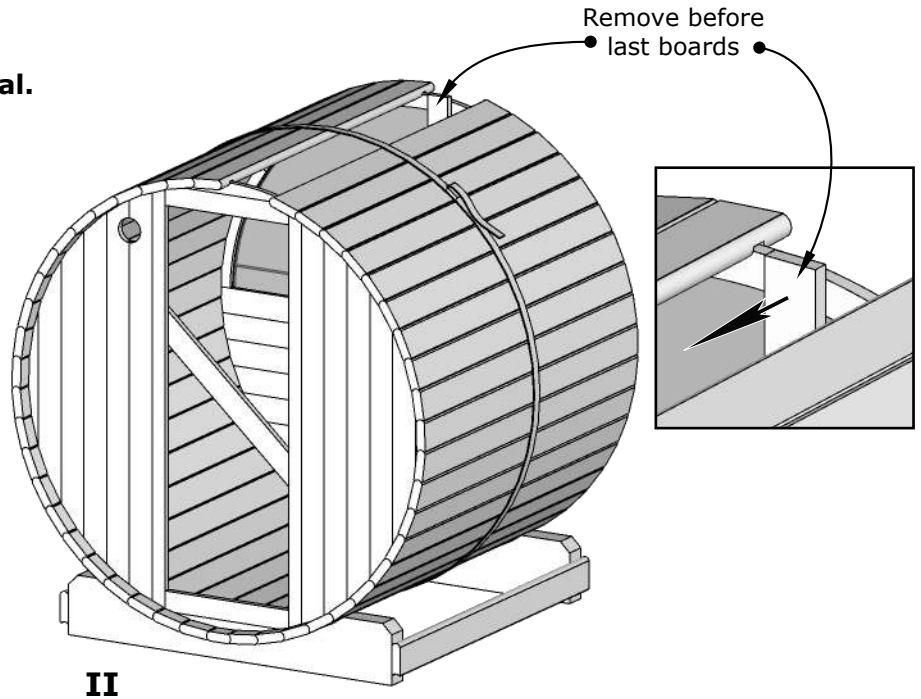


**WARNING:** Do not let screws touch glass!

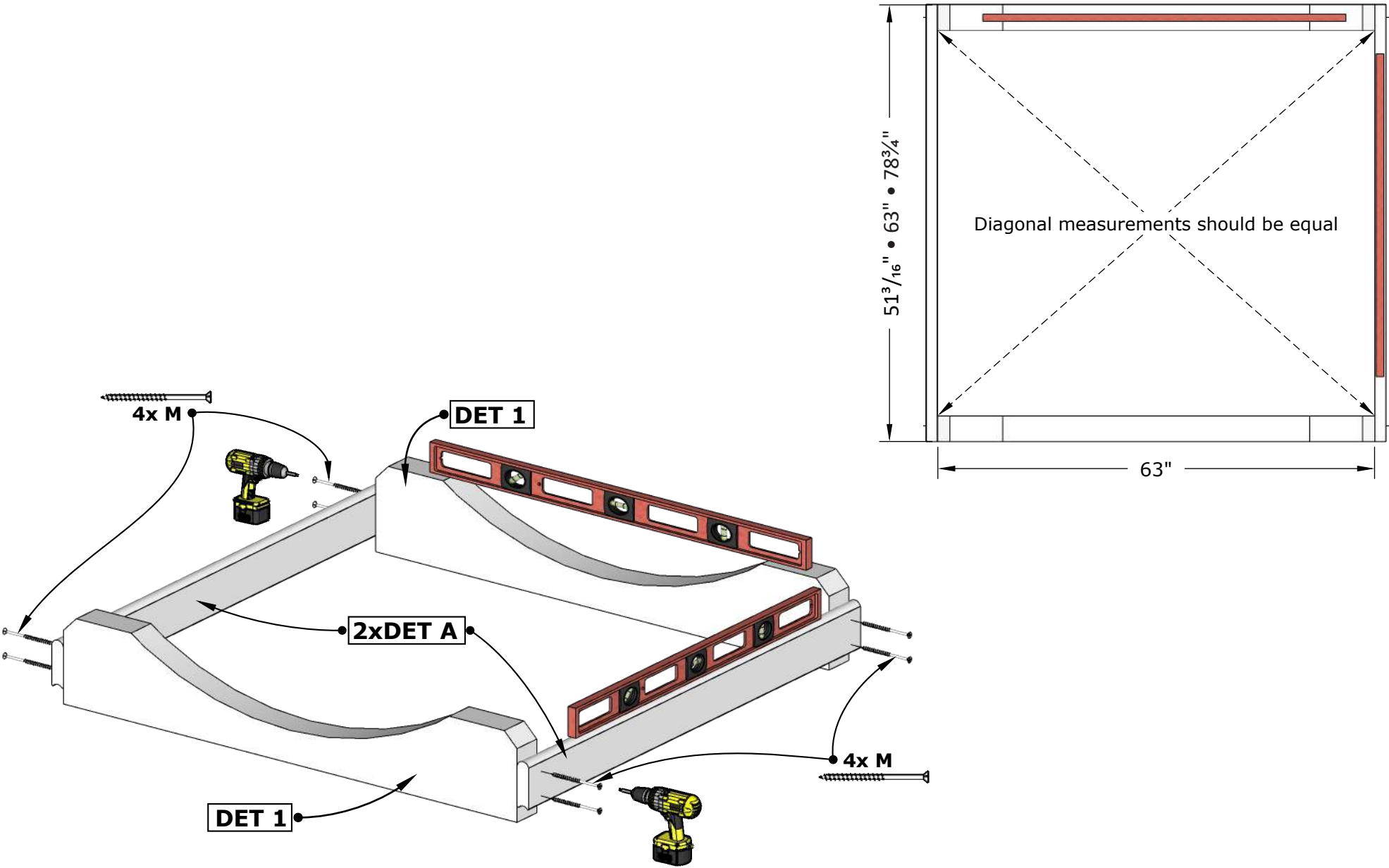
# Half-moon wall installation



Check also main installation manual.



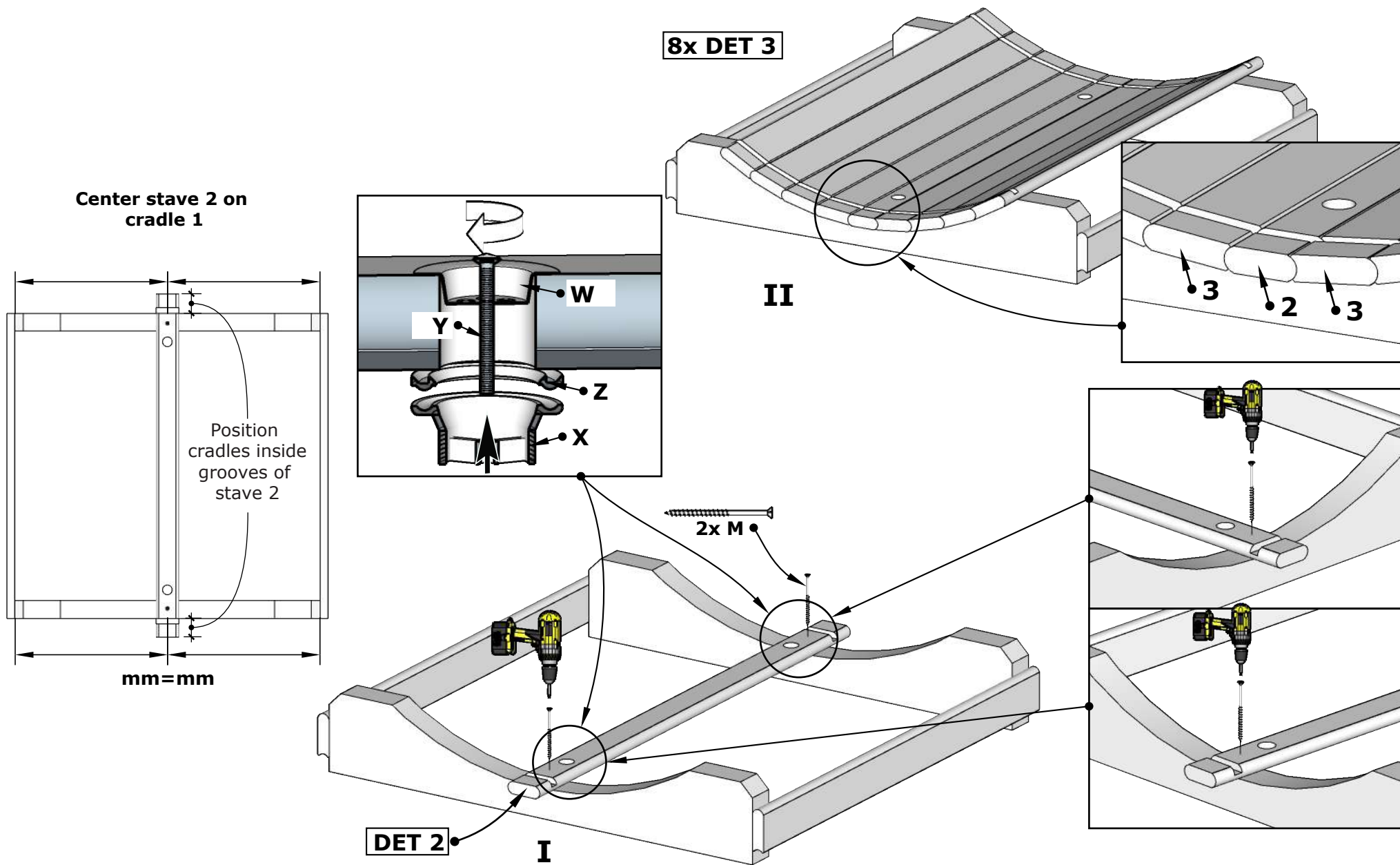
# E8W Barrel Sauna 87D" x 81H"



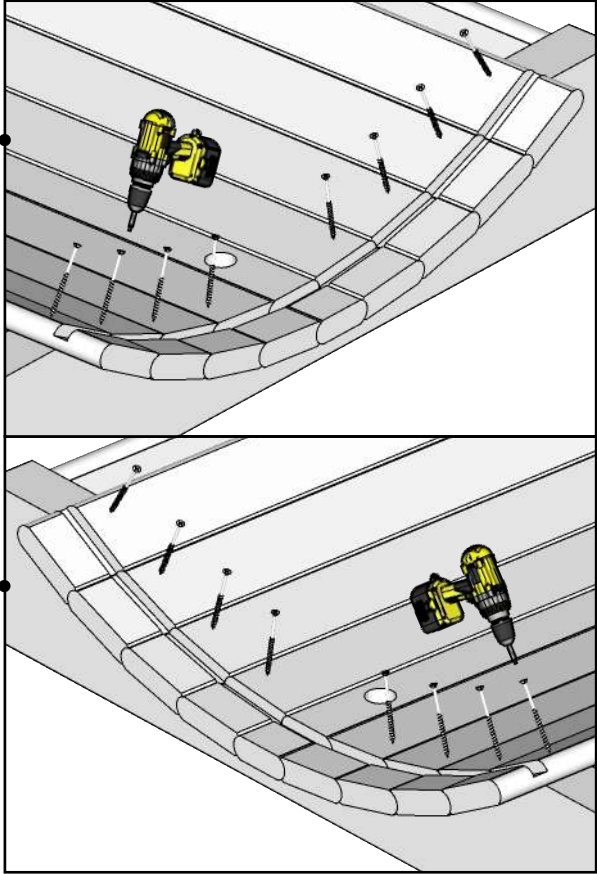
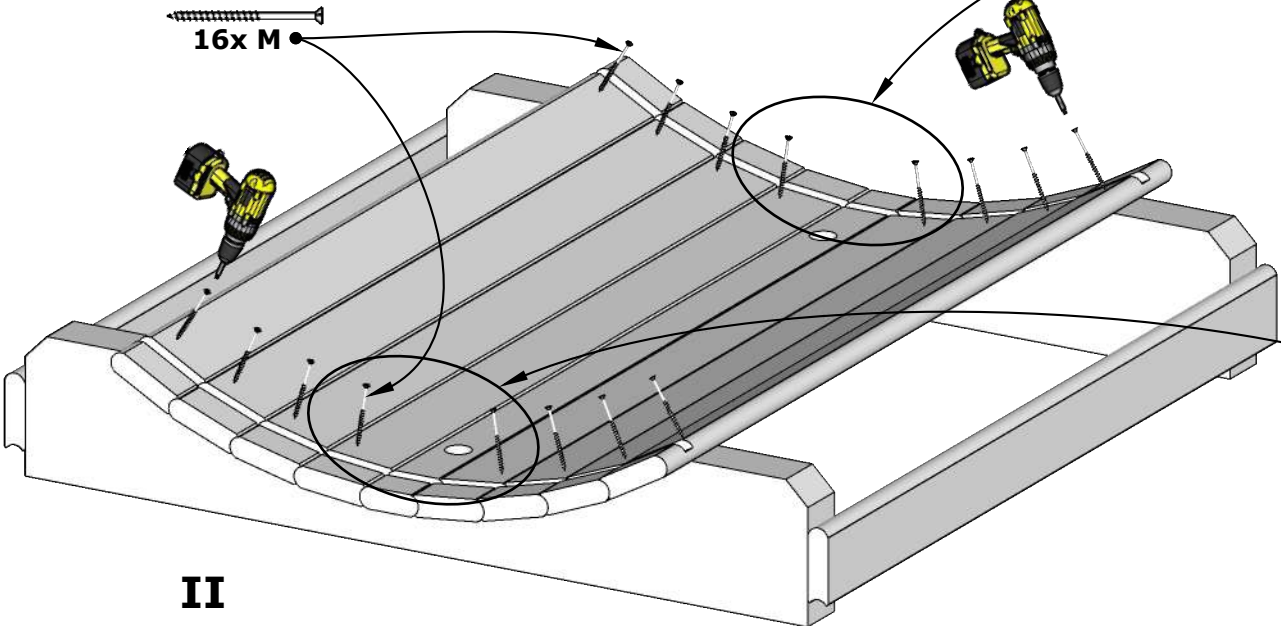
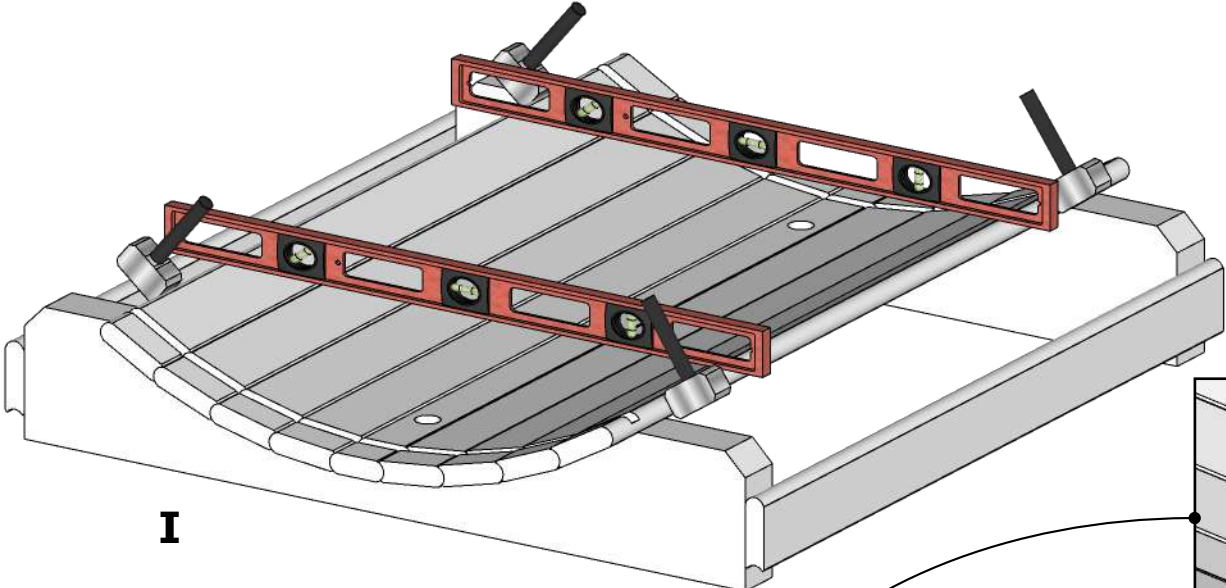
1.



# E8W Barrel Sauna 87D" x 81H"

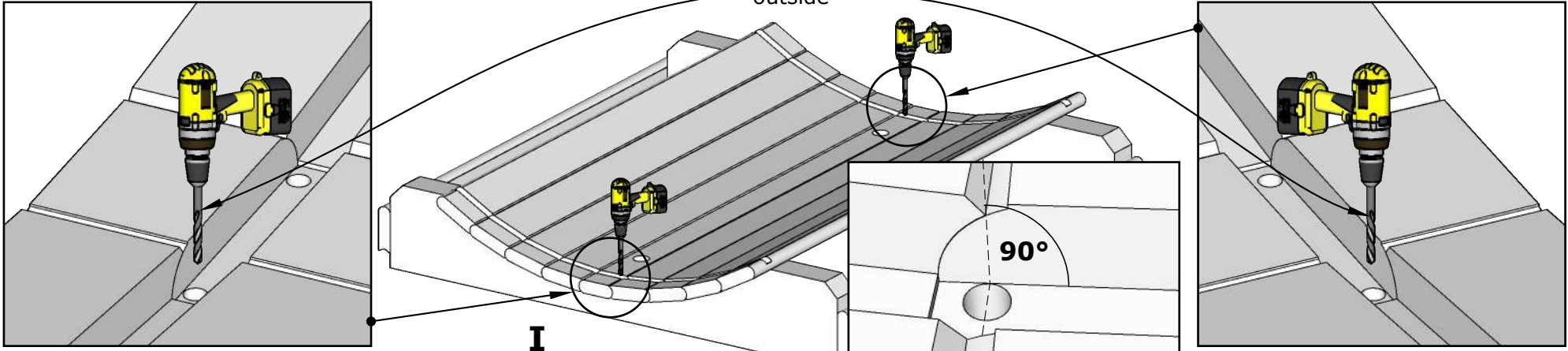


# E8W Barrel Sauna 87D" x 81H"



# E8W Barrel Sauna 87D" x 81H"

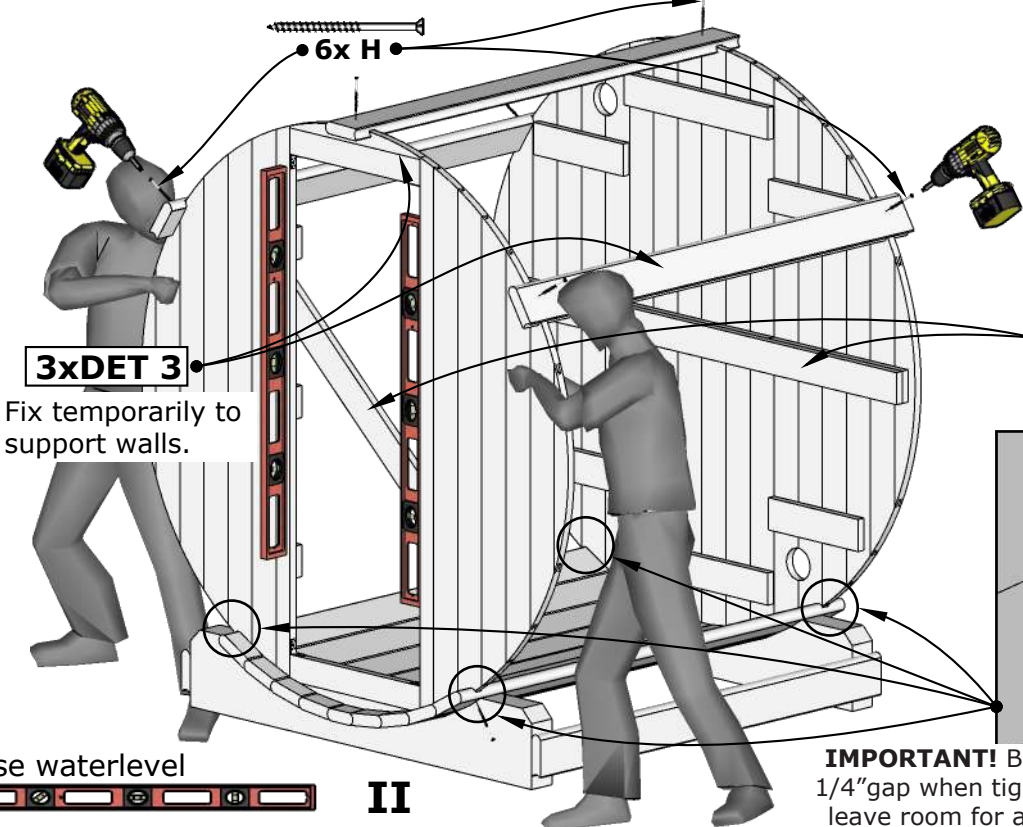
Drill 4 holes  $\varnothing 1/2"$   
through DET 2  
outside



I

Check walls installation  
manual on extra pages!

Sauna wall configuration  
depends on Your model!



6x H

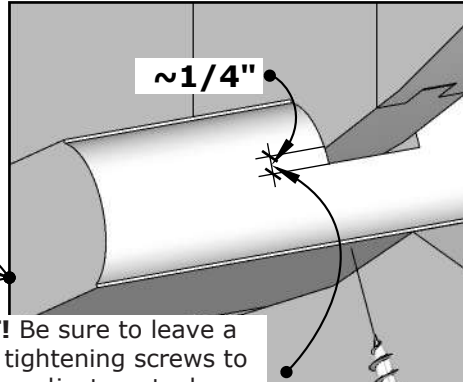
3xDET 3

Fix temporarily to  
support walls.

Brackets inside

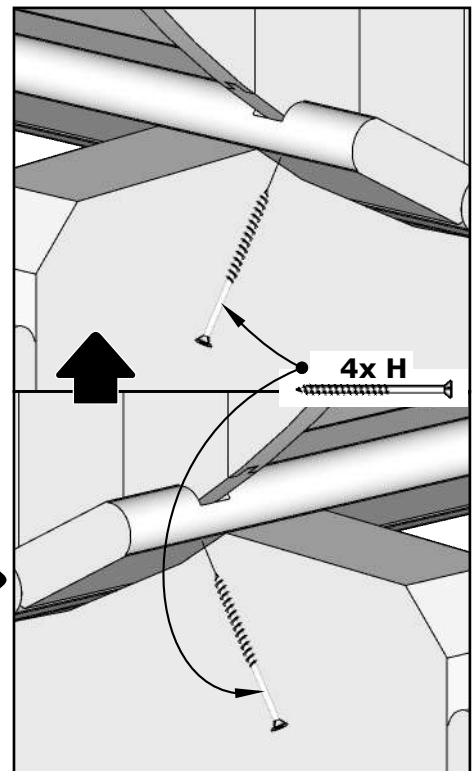
Use waterlevel

II



$\sim 1/4"$

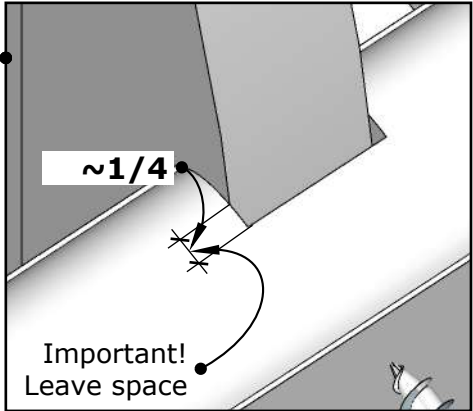
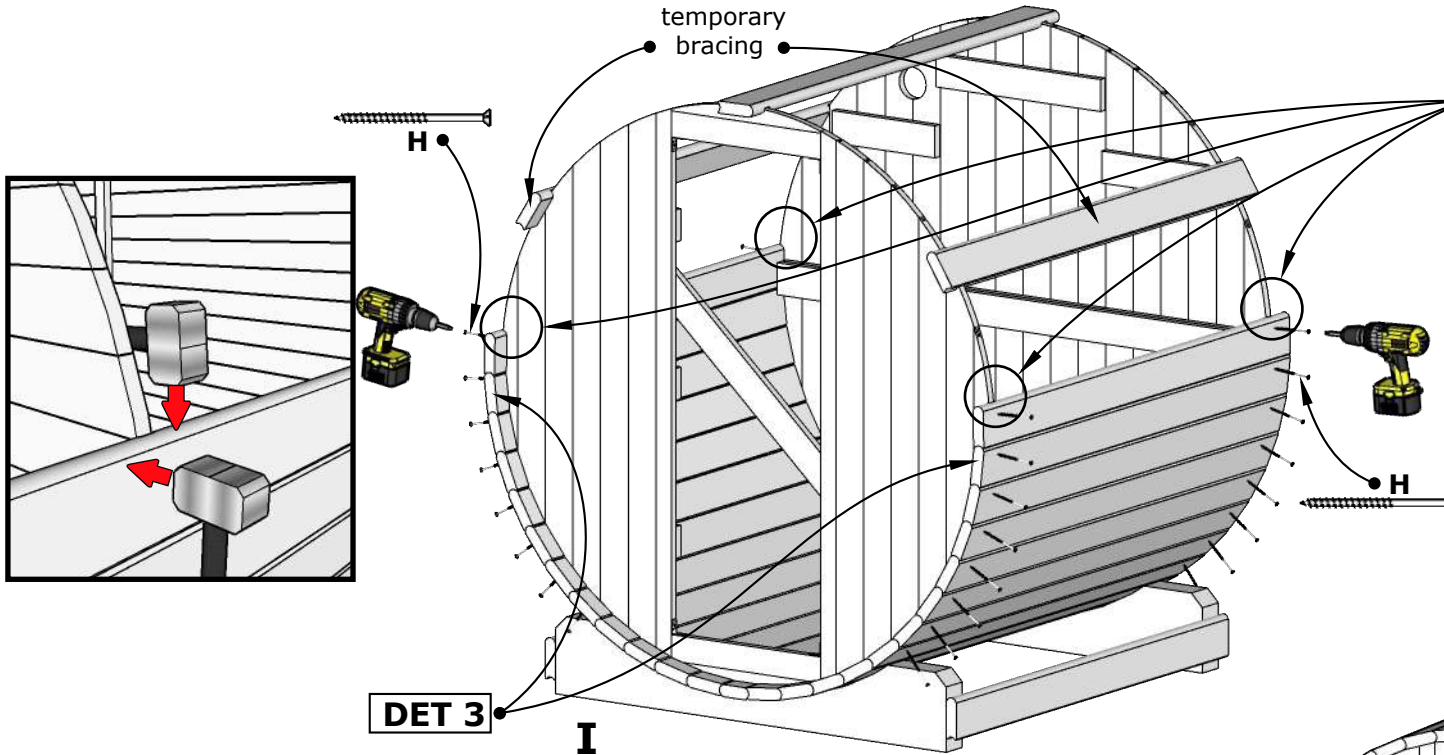
**IMPORTANT!** Be sure to leave a  
 $1/4"$  gap when tightening screws to  
leave room for adjustment when  
the outer bands (B) are installed.



4x H

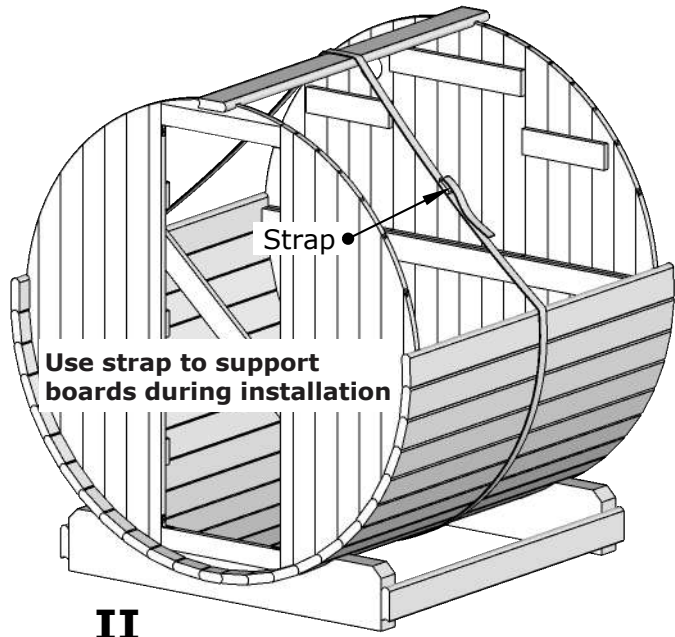
# E8W Barrel Sauna 87D" x 81H"

Remove temporary bracing



**IMPORTANT!** Be sure to leave a 1/4" gap when tightening screws to leave room for adjustment when the outer bands (B) are installed.

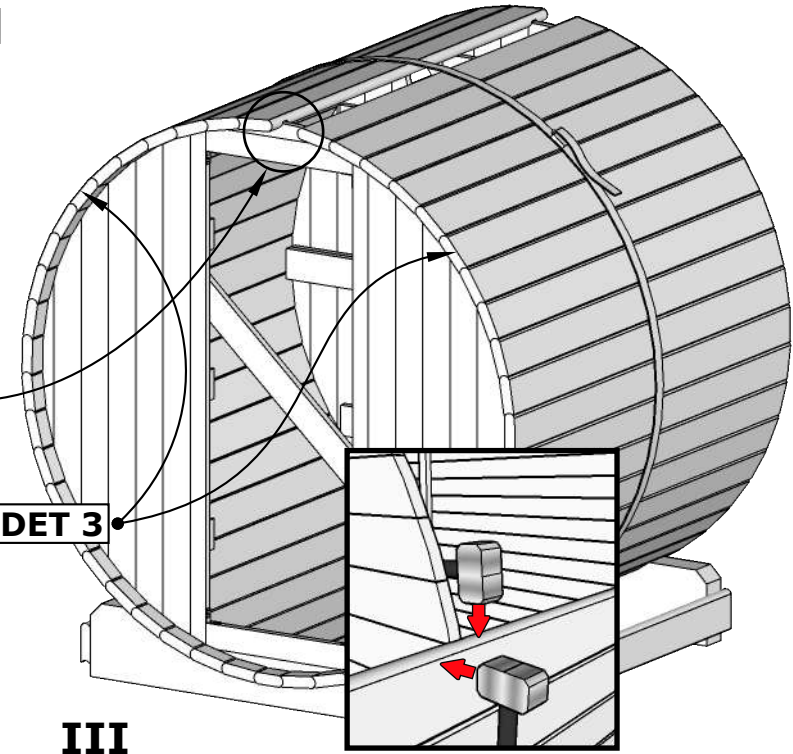
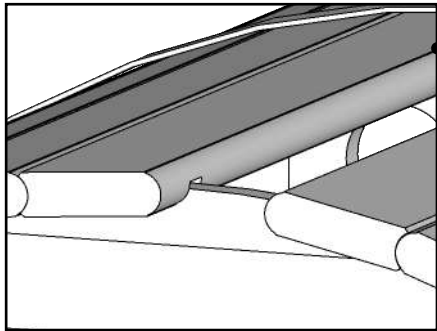
**DET 3**  
**I**



Use strap to support boards during installation

**II**

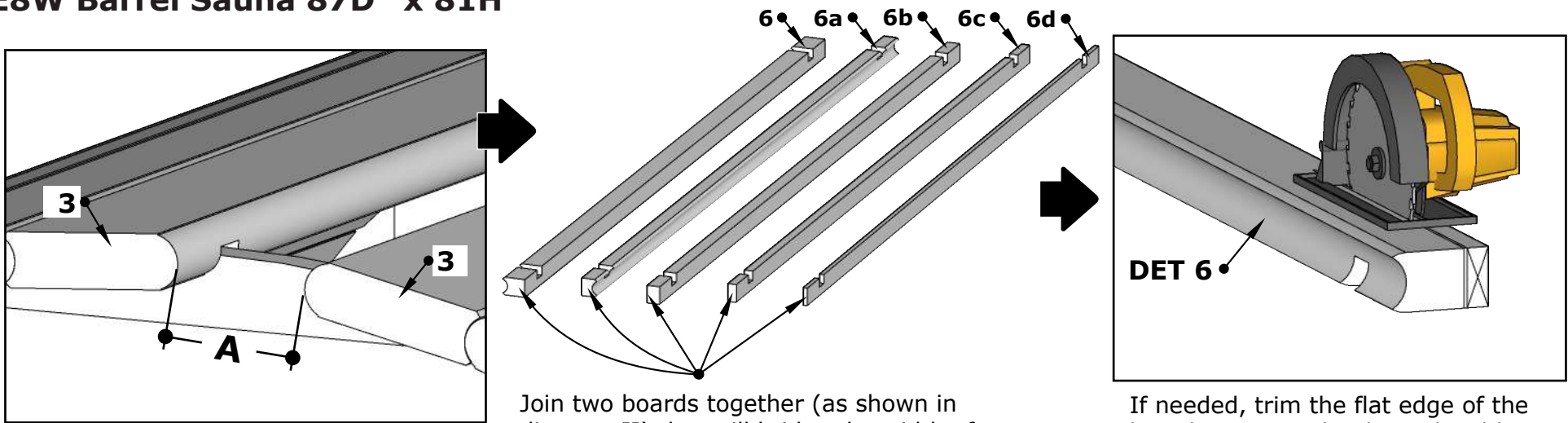
See the next page.



**DET 3**

**III**

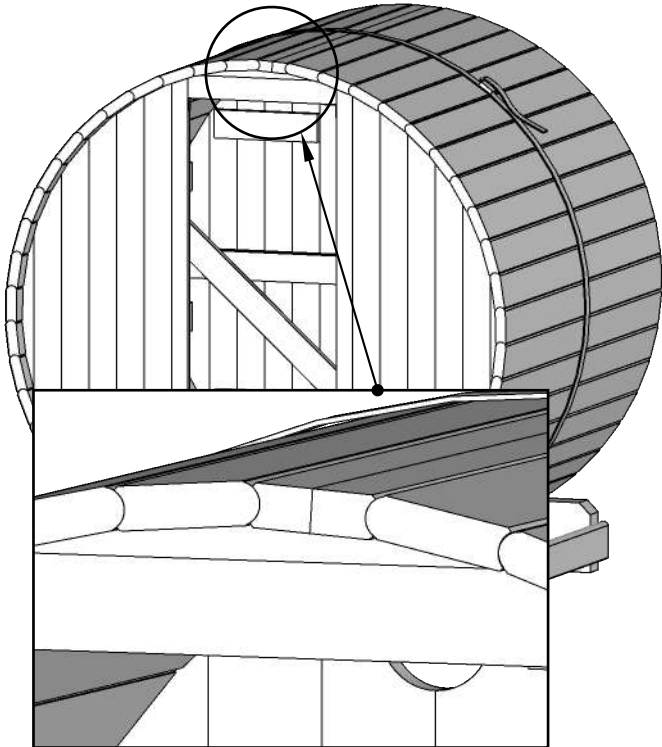
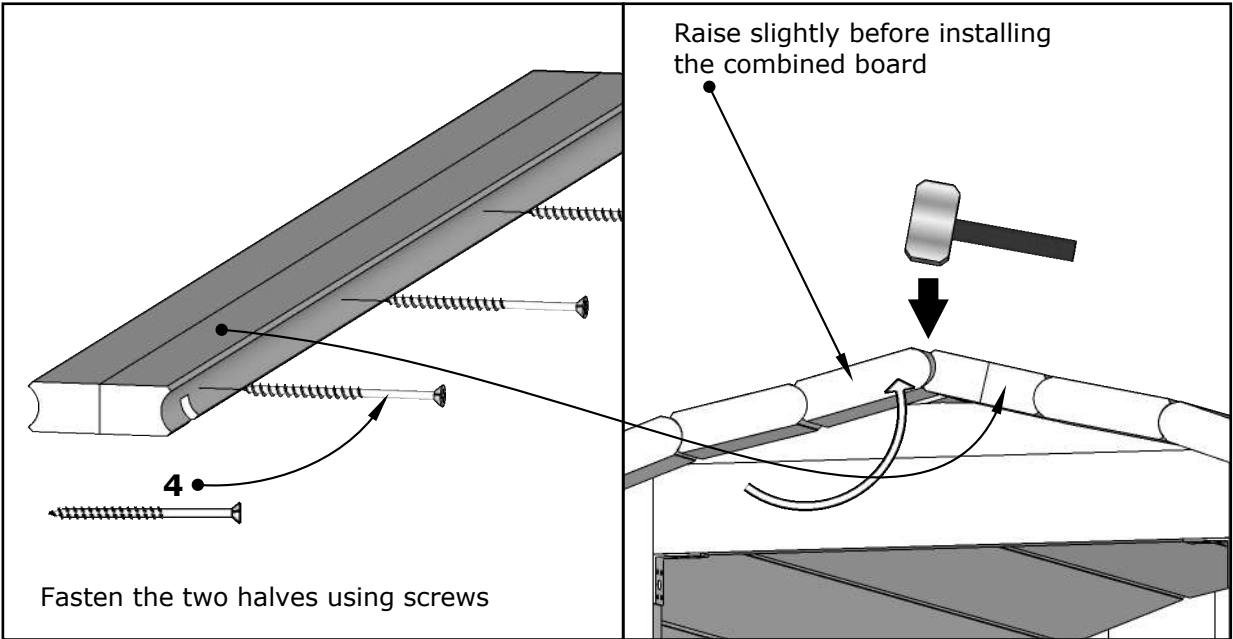
# E8W Barrel Sauna 87D" x 81H"



Join two boards together (as shown in diagram II) that will bridge the width of the "A" gap. It is recommended that the combined boards are approximately 1/4" wider than the gap.

If needed, trim the flat edge of the board to create the desired width.

**I**

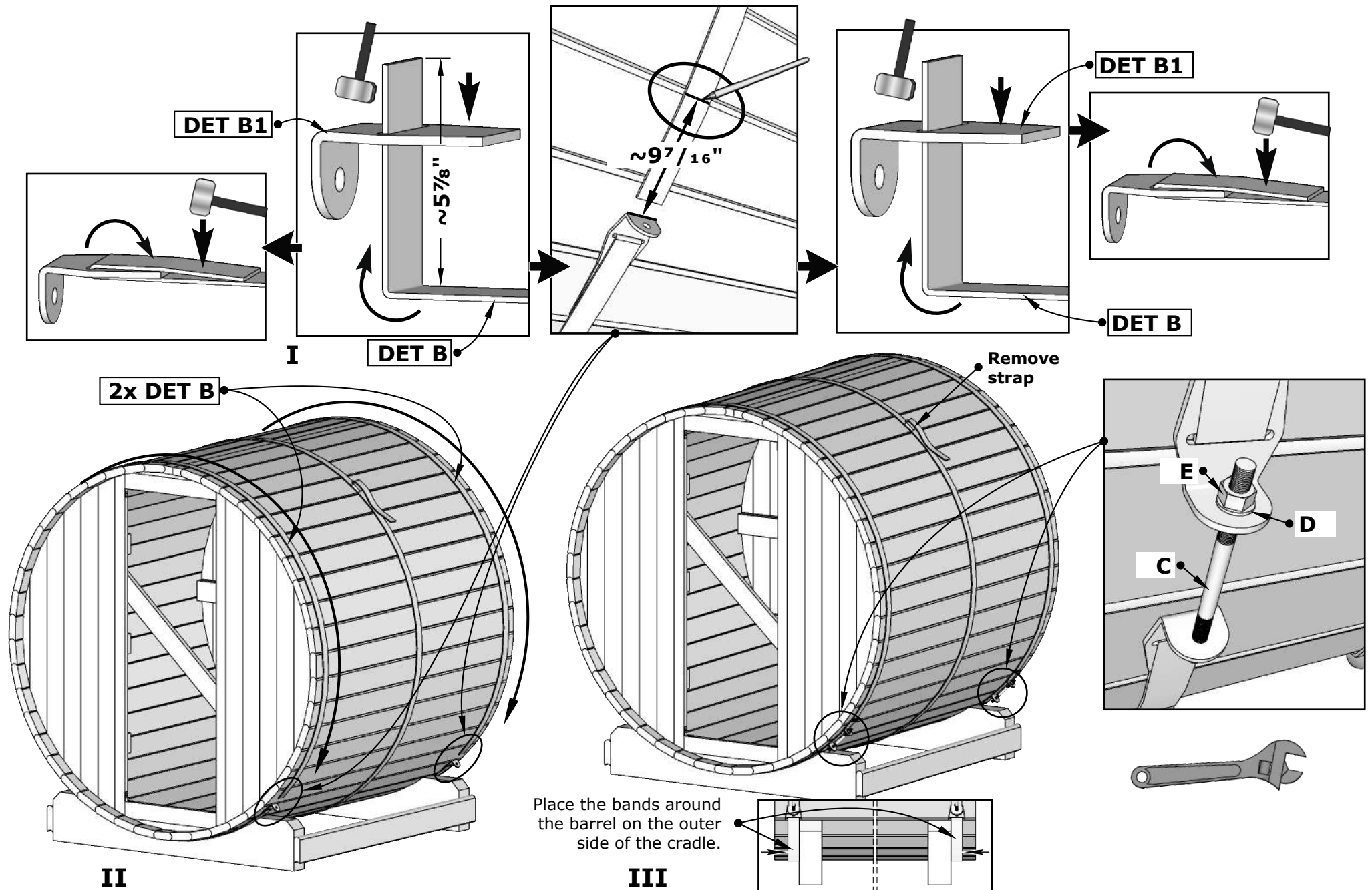


**III**

6.

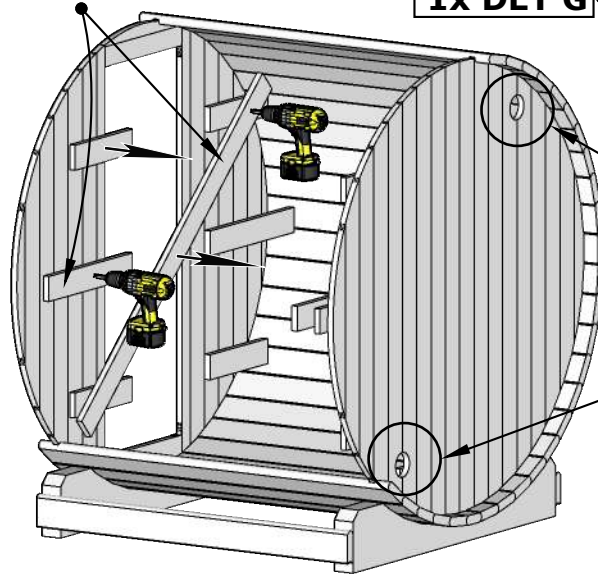
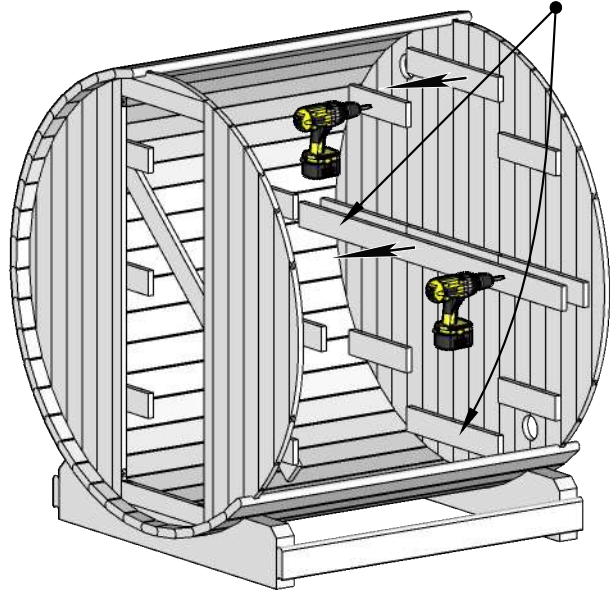
**II**

# E8W Barrel Sauna 87D" x 81H"

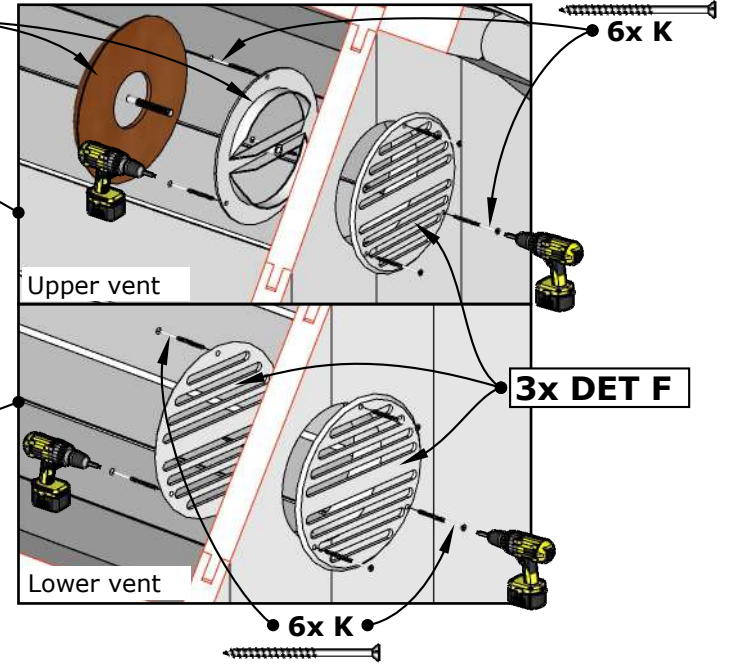


# E8W Barrel Sauna 87D" x 81H"

Remove all temporary braces



1x DET G



Upper vent

Lower vent

3x DET F

6x K

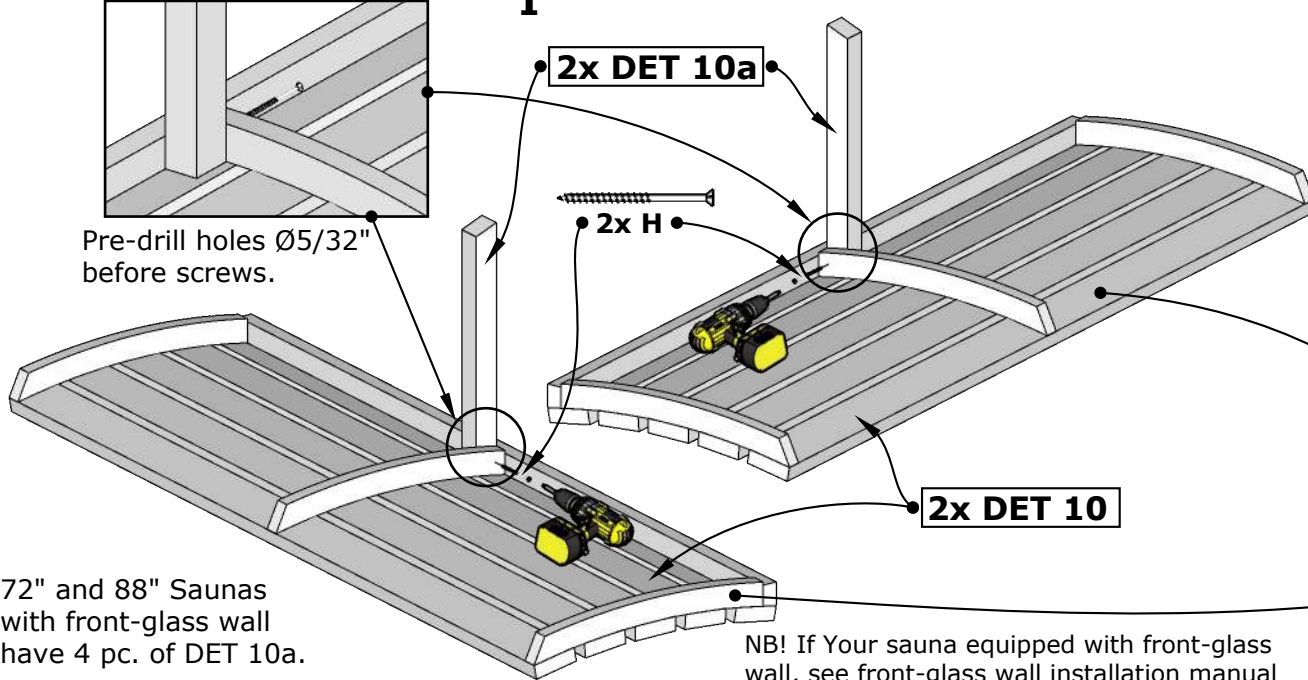
I

2x DET 10a

2x H

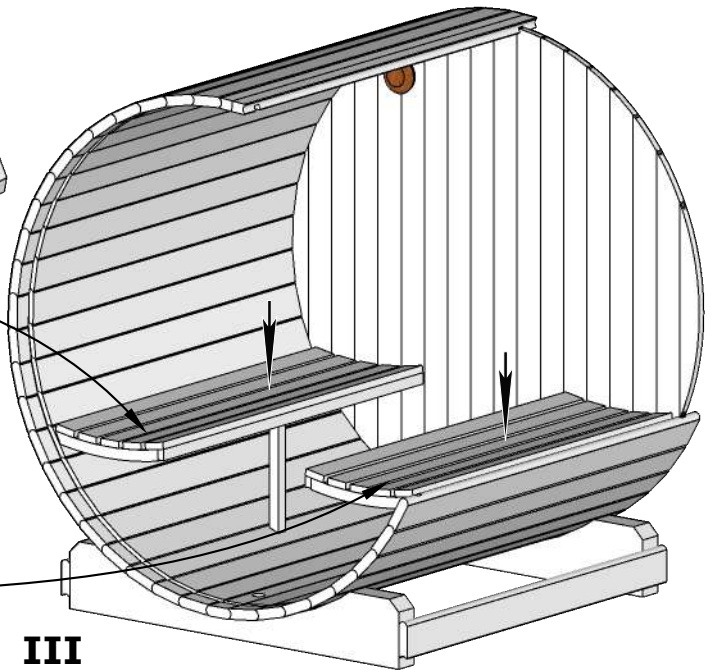
2x DET 10

Pre-drill holes Ø5/32" before screws.



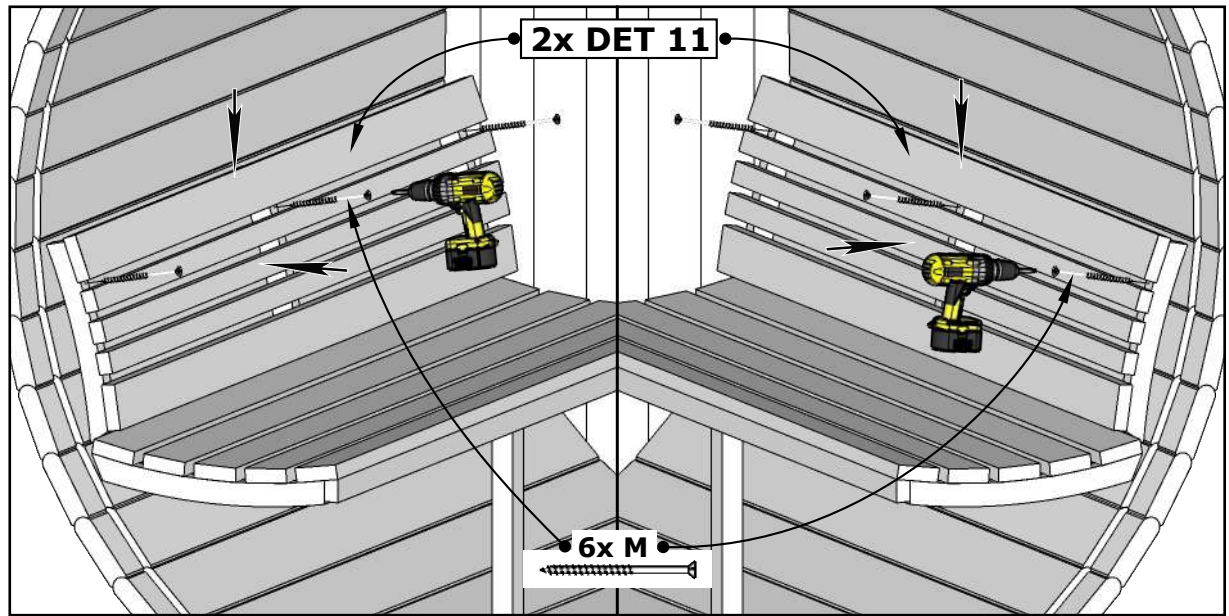
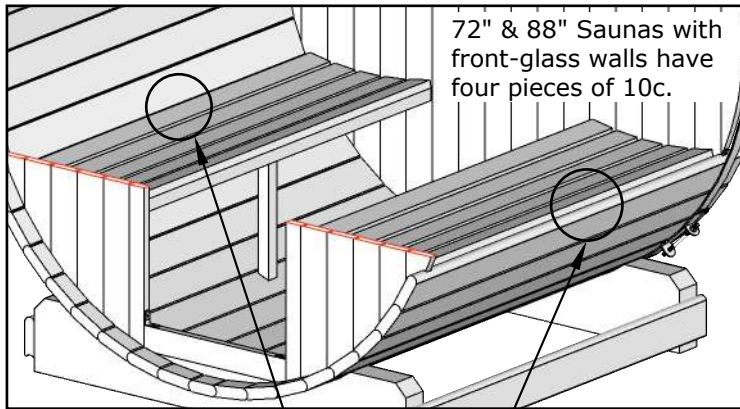
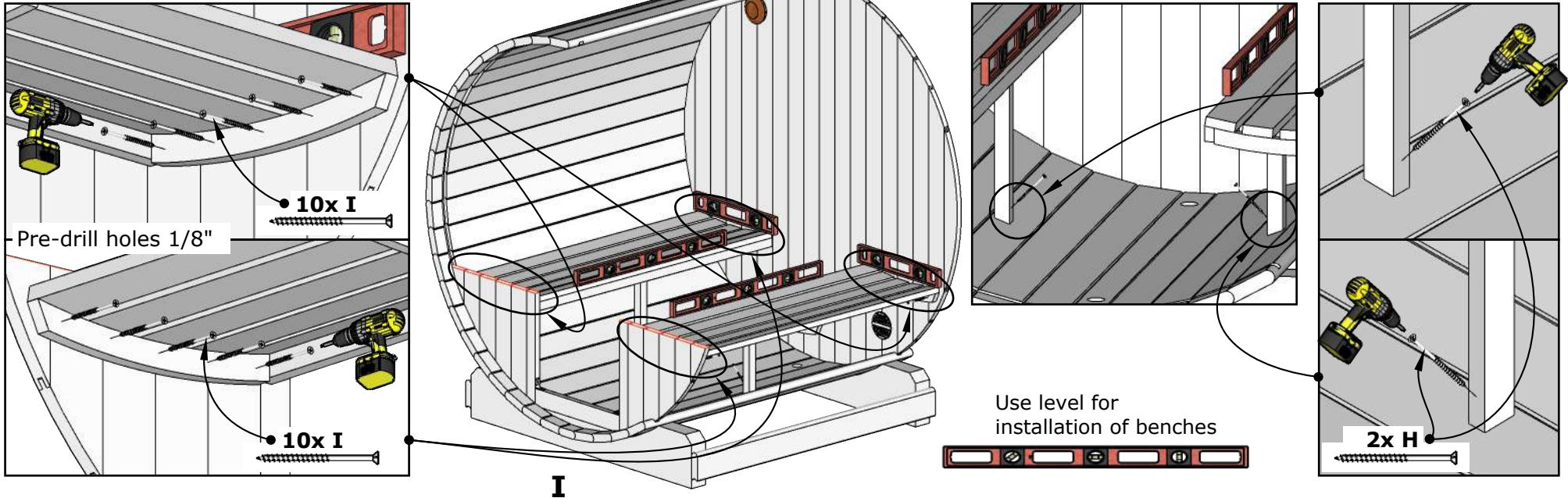
72" and 88" Saunas with front-glass wall have 4 pc. of DET 10a.

NB! If Your sauna equipped with front-glass wall, see front-glass wall installation manual for proper benches installation.



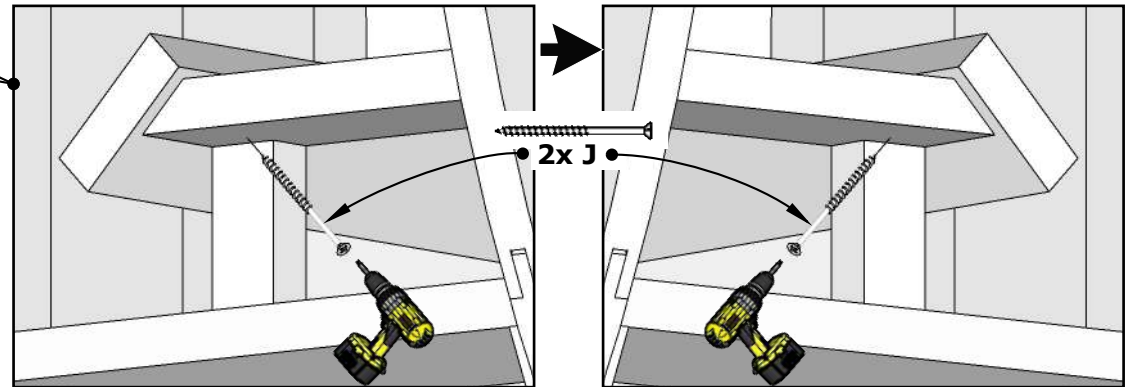
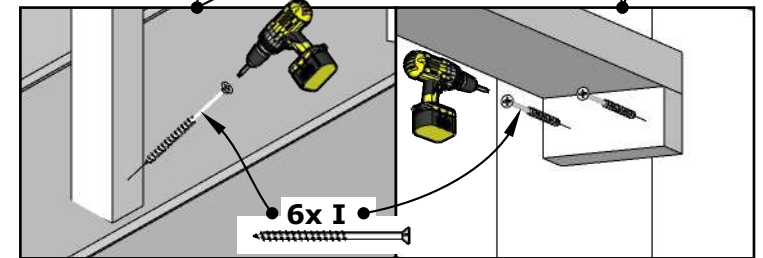
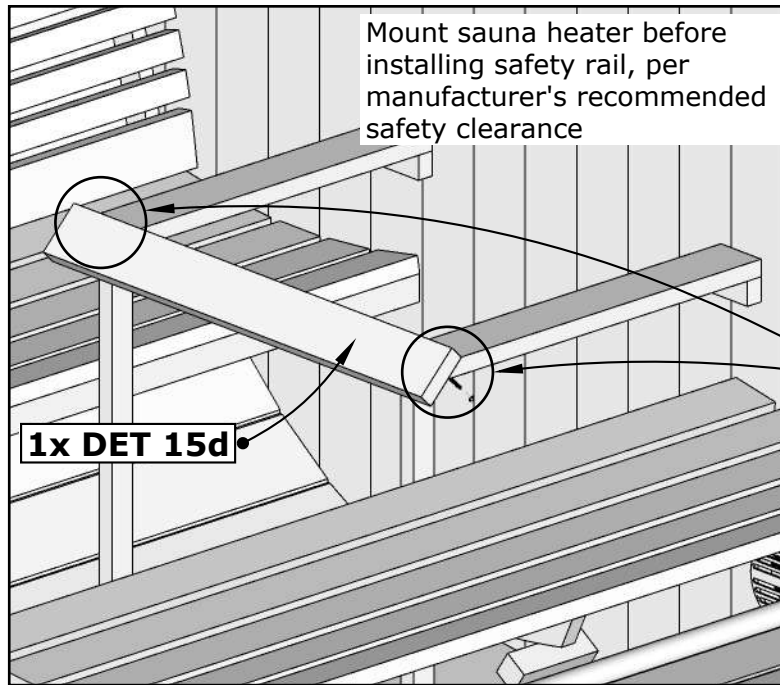
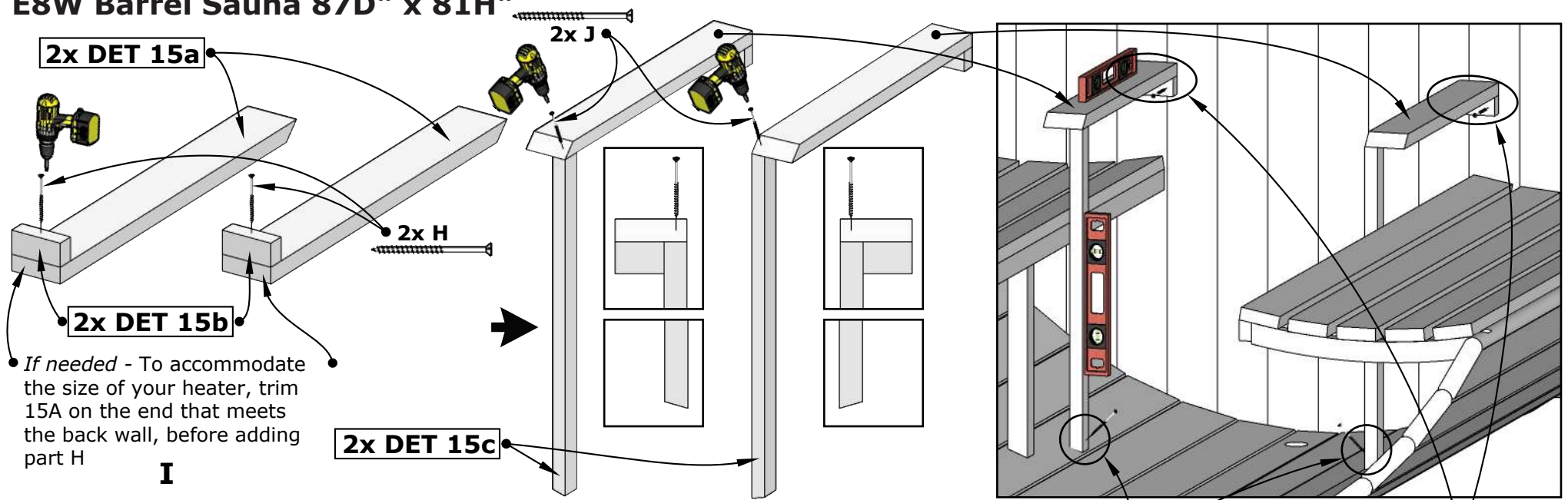
III

# E8W Barrel Sauna 87D" x 81H"



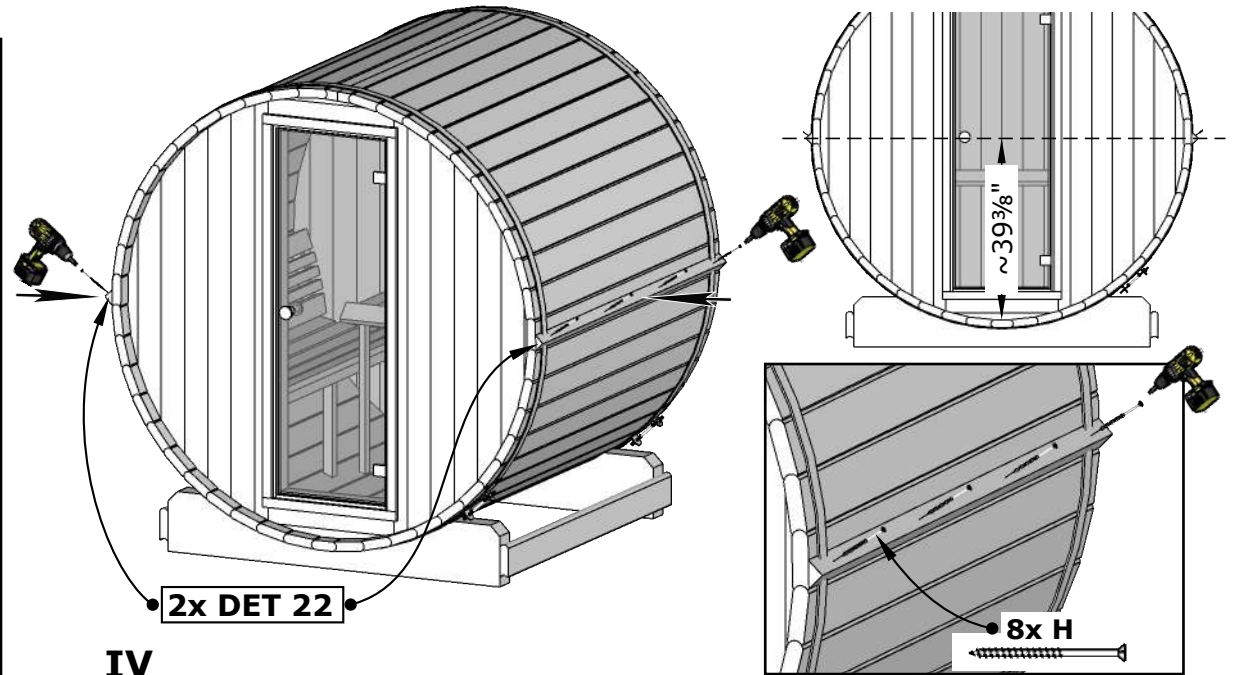
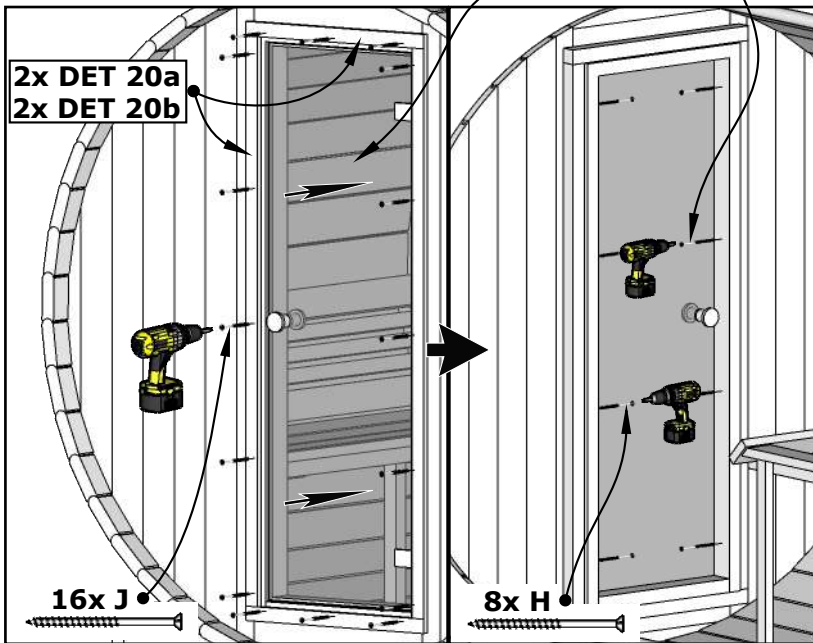
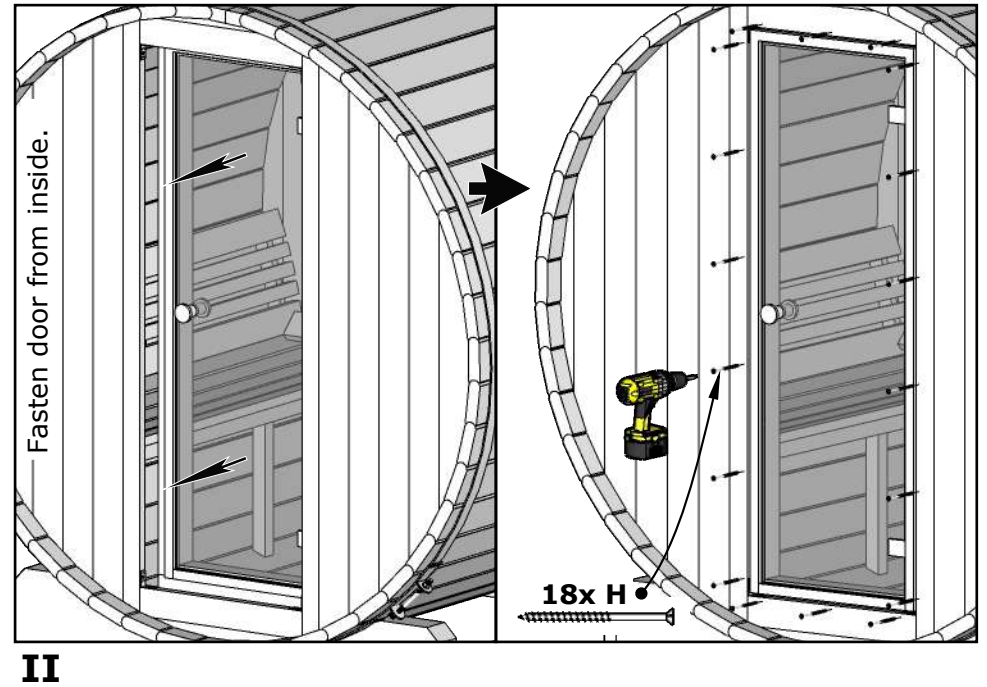
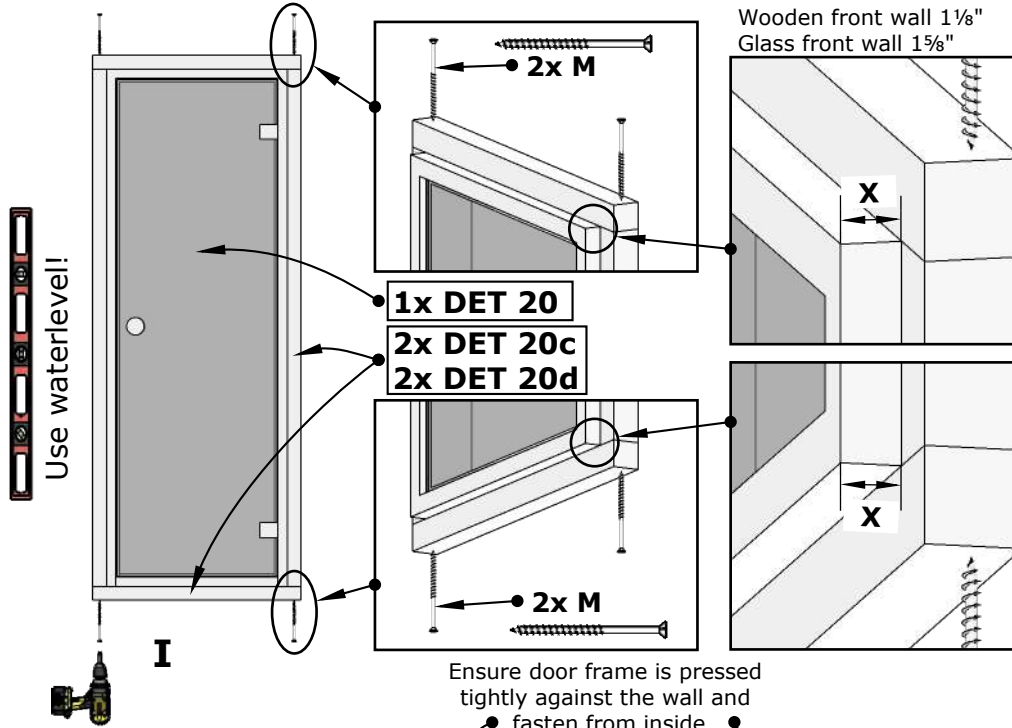


# E8W Barrel Sauna 87D" x 81H"



# E8W Barrel Sauna 87D" x 81H"

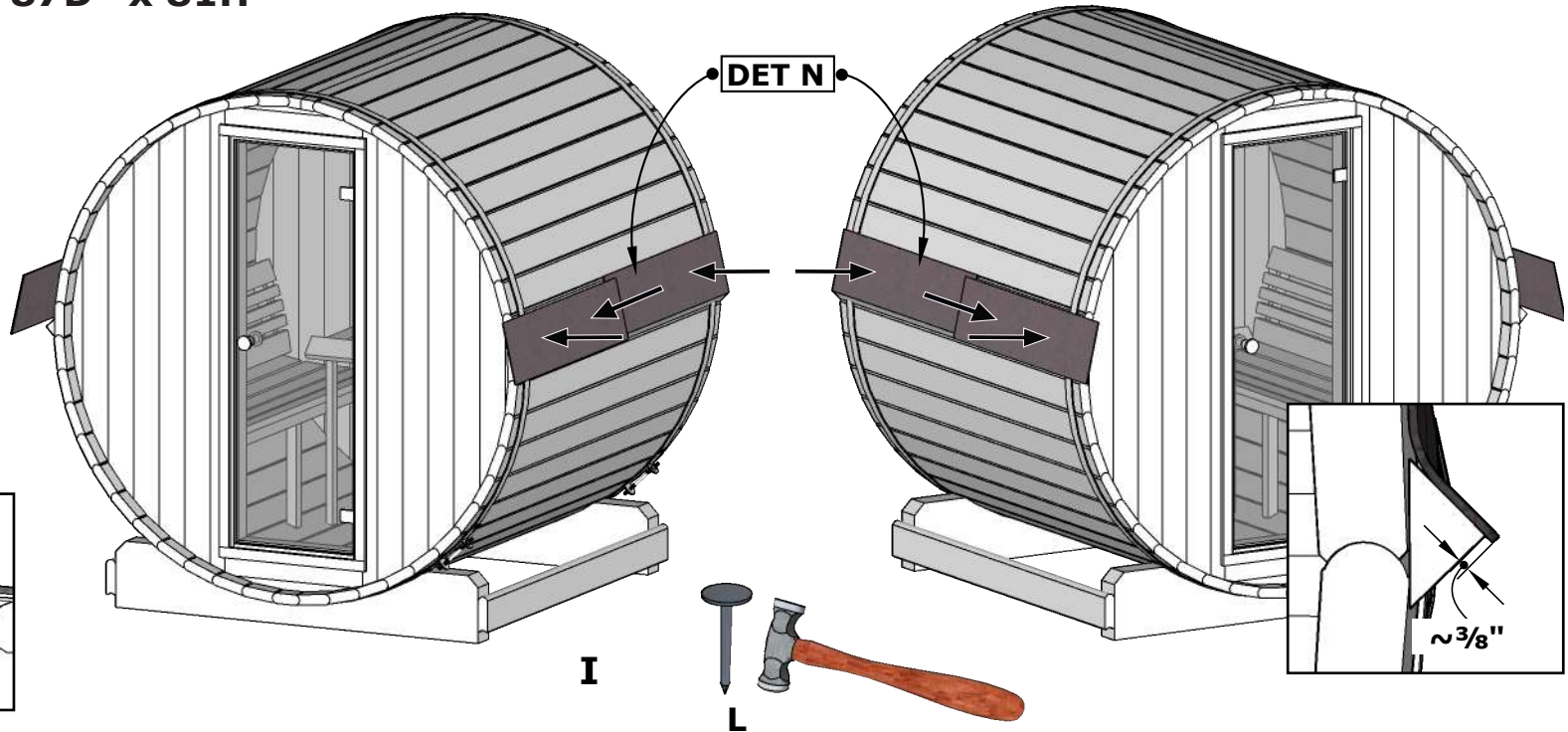
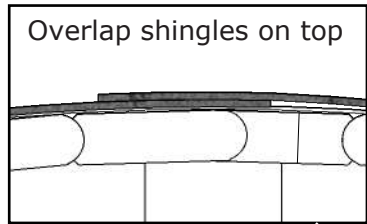
X= Front wall thickness  
 Wooden front wall 1 1/8"  
 Glass front wall 1 5/8"



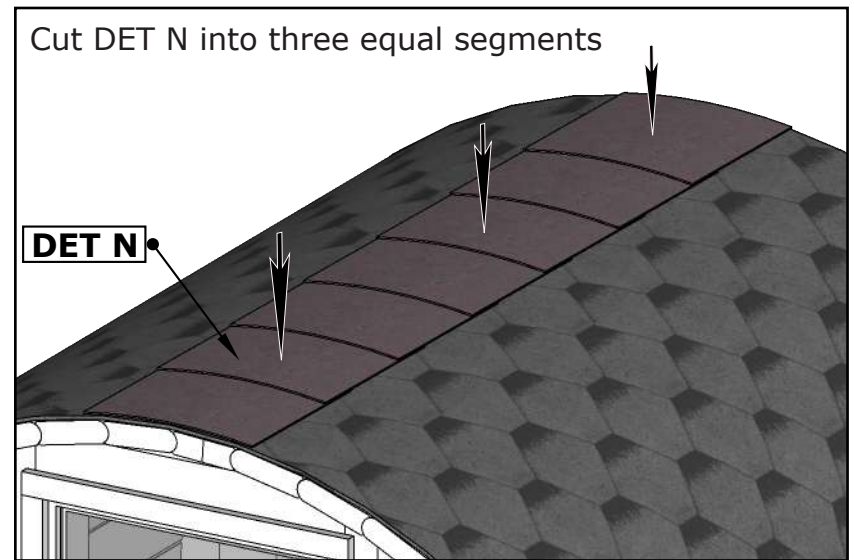
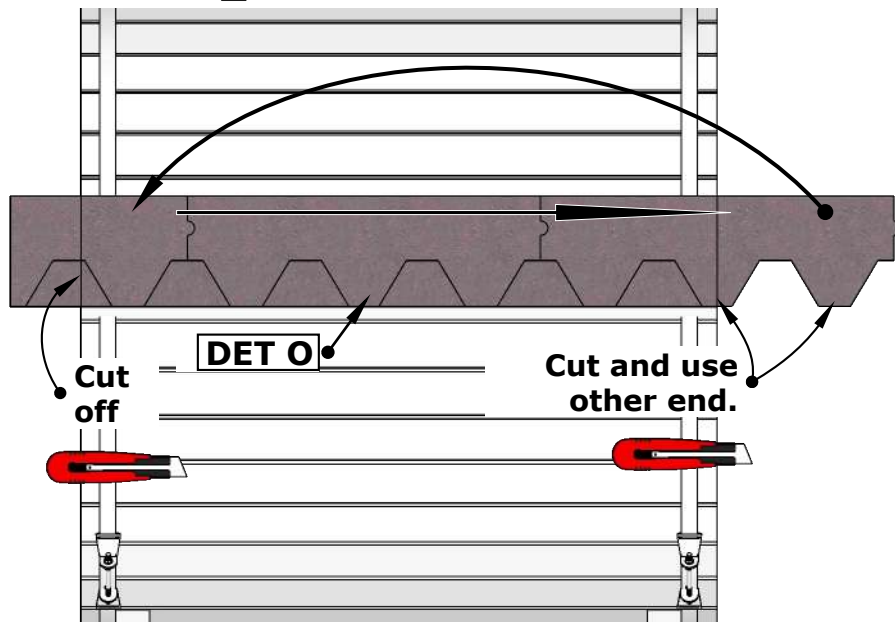
11. III

# E8W Barrel Sauna 87D" x 81H"

See the installation manual inside the shingles package



Check also roof shingles installation manual inside package.



# E8W Barrel Sauna 87D" x 81H"

