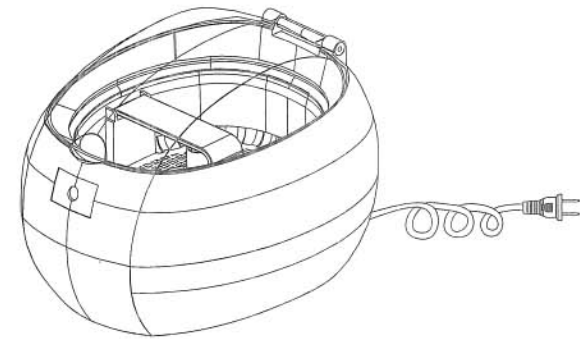




SKU 244-9895 ULTRASONIC CLEANER

Model No. SU-734

OPERATING INSTRUCTIONS



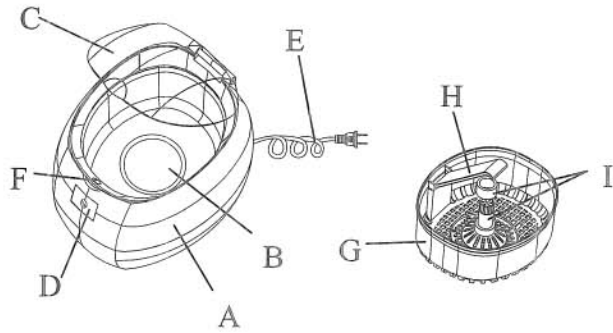
* AC 110 - 120V

* ETL LISTED

* READ ALL INSTRUCTIONS BEFORE USING

* KEEP THIS MANUAL

I . PRODUCT DRAWING AND SPECIFICATIONS



- | | |
|----------------------------|--------------------------|
| A. Outer Cover | B. Stainless Steel Tank |
| C. Translucent Lid | D. ON / OFF Switch |
| E. Power Supply Cord | F. Power Indicator Light |
| G. Plastic Cleaning Basket | H. Plastic Watch Stand |
| I. CD Rack | |

SPECIFICATIONS:

Item Name	Ultrasonic Cleaner	Power Supply	AC 110-120V
Model Number	SU-734	Power	35W
Dimensions	8" x 7" x 6"	Tank Capacity	750ml / 25.4 oz.
Net Weight	850g / 1.87 lbs	Timer	3 mins

II. IMPORTANT SAFETY INSTRUCTIONS

1. Do not disassemble the unit except by an authorized technician.
2. Unplug the unit before filling. Do not exceed the "MAX" mark.
3. Do not touch the socket with a wet hand to avoid electric shock.
4. Never immerse the unit in water to avoid electric shock.
5. Repeating cleaning cycles can enhance the cleaning effect. Three minute cleaning intervals are recommended.
6. Do not use this unit when drowsy.
7. If the supply cord is damaged, it must be replaced by the manufacturer, its service agent or similarly qualified persons in order to avoid a hazard.

SKU 244-9895 ULTRASONIC CLEANER WARRANTY

1-YEAR LIMITED WARRANTY:

This item carries a 1-YEAR Limited Warranty to the original purchaser. If it fails within 1 YEAR from the date of purchase, please contact Customer Service at (855) 288-6657. At its discretion, Customer Service agrees to have the item replaced with the same or similar product free of charge, within the stated warranty period, when returned by the original purchaser with original sales receipt. Notwithstanding the foregoing, this limited warranty does not cover any damage that has resulted from abuse or misuse of the Merchandise. This warranty shall be void if this item is used for commercial and/or rental purposes, and does not cover any losses, injuries to persons/property or costs. This warranty does give you specific legal rights and you may have other rights, which vary from state to state. Seller's employees are not qualified to advise you on the use of this Merchandise. Any oral representation(s) made will not be binding on seller or its employees. The rights under this limited warranty are to the original purchaser of the Merchandise and may not be transferred to any subsequent owner. This limited warranty is in lieu of all warranties, expressed or implied including warranties or merchantability and fitness for a particular purpose. Seller shall not be liable for any special, incidental, or consequential damages. The sole exclusive remedy against the seller will be for the replacement of any defects as provided herein, as long as the seller is willing or able to replace this product or is willing to refund the purchase price as provided above. For insurance purposes, seller is not allowed to demonstrate this item for you.

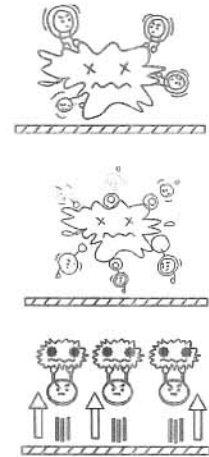
For questions / comments, technical assistance or repair parts –
Please call toll free at: 855-288-6657 (M-F 8:00am – 5:00pm PST)

SAVE YOUR RECEIPTS. THIS WARRANTY IS VOID WITHOUT THEM.

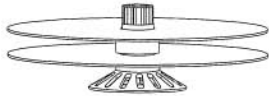
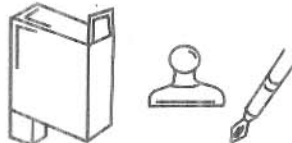

- This appliance is not intended for use by persons (including children) with reduced physical, sensory or mental capabilities, or lack of experience and knowledge, unless they have been given supervision or instruction concerning use of the appliance by a person responsible for their safety
- Children should be supervised to ensure that they do not play with the appliance.


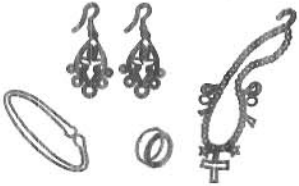

III. DIRT ELIMINATION PRINCIPLE

- Ultrasonic wave diffuses into the water generating cavitation and emulsification.
- Millions of tiny cavitation bubbles are generated each second. The bubbles implode constantly under the wave of mechanical high frequency.
- The bubbles impact and split up the dirt into many tiny granules, separating them from the surface of the object being cleaned.




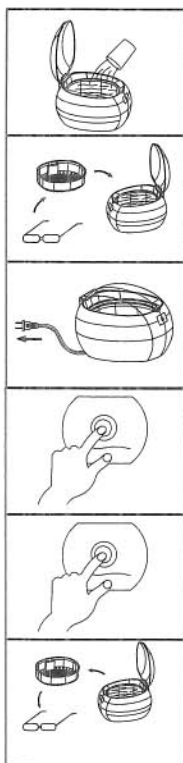
IV. APPLICATION

		
CD, DVD, etc.	Ink Boxes, Seals, Pen Heads, etc.	Dentures, Toothbrushes, Electric Shaver Heads, Razor Blades


		
<p>Sunglasses, Glasses</p>	<p>Rings, Necklaces, Bangles, Earrings</p>	<p>Metal Dishware, Metal Fittings, Coins</p>

V. OPERATING INSTRUCTIONS


1. Open the lid and fill the stainless steel tank with water.
 Running without water may damage the unit!
2. Objects to be cleaned should be submerged under the water. However, do not exceed the "MAX" mark.
3. Close the lid, and plug in.
4. Plug the machine into proper power source and press "ON / OFF" switch button to start cleaning. When washing, the power indicator light turns on.
5. Press "ON / OFF" switch button to stop cleaning, when it is in the cleaning process.
6. When the washing process is finished, unplug from the power source. Open the cover and take out the object. Finally, pour out the water and clean the machine. Wipe dry.



VI. USER MAINTENANCE

1. After use, pour the water out and wipe up the tank and its surface.
 To avoid electric shock, do not wash the unit with water.
2. Keep it in a cool and dry place.

VII. CLEANING METHODS

1. Put the object into the plastic cleaning basket under cleansing water. The water level should be above the articles but not exceed the "MAX" mark.
 2. Set CD, DVD on the CD rack. Place rack into the tank with water. Press "ON / OFF" switch to start cleaning.
-  **Warning:**
Use only cold water to clean disks and avoid repeated cleaning to avoid the lacquer from shedding off the disks.
3. For large items, place the item as shown.
 4. After one or two cleaning cycles, if item needs enhanced cleaning, empty dirty water and replace with clean water. Add about ¼ oz. liquid hand soap or Ultrasonic Cleaning Powder into the tank and start the unit with working cycle at 90S.

