

# smartcode™

Smartphone Managed Keyless Entry System



## Smart Bluetooth Keyless Lever Lockset

Satin Chrome: 11-1120 LH / 11-1121 RH

Antique Brass: 11-1122 LH / 11-1123 RH

Bronze: 11-1124 LH / 11-1125 RH

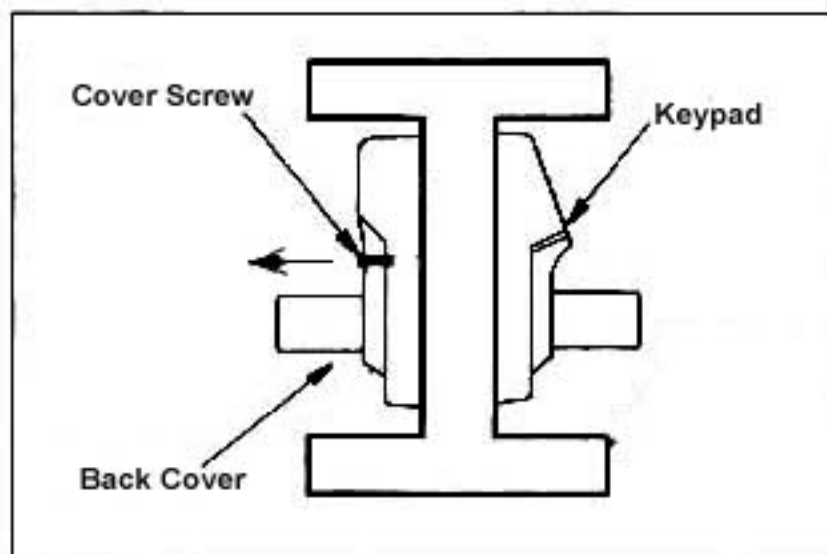
**Gino Development Inc.**  
2140 Ward Ave.  
Simi Valley, CA 93065

[www.ginodevelopment.com](http://www.ginodevelopment.com)  
Product Support: 855-288-6657

# Package Disassembly

## First Step

Remove cover screw by turning screw counter-clockwise (ccw).

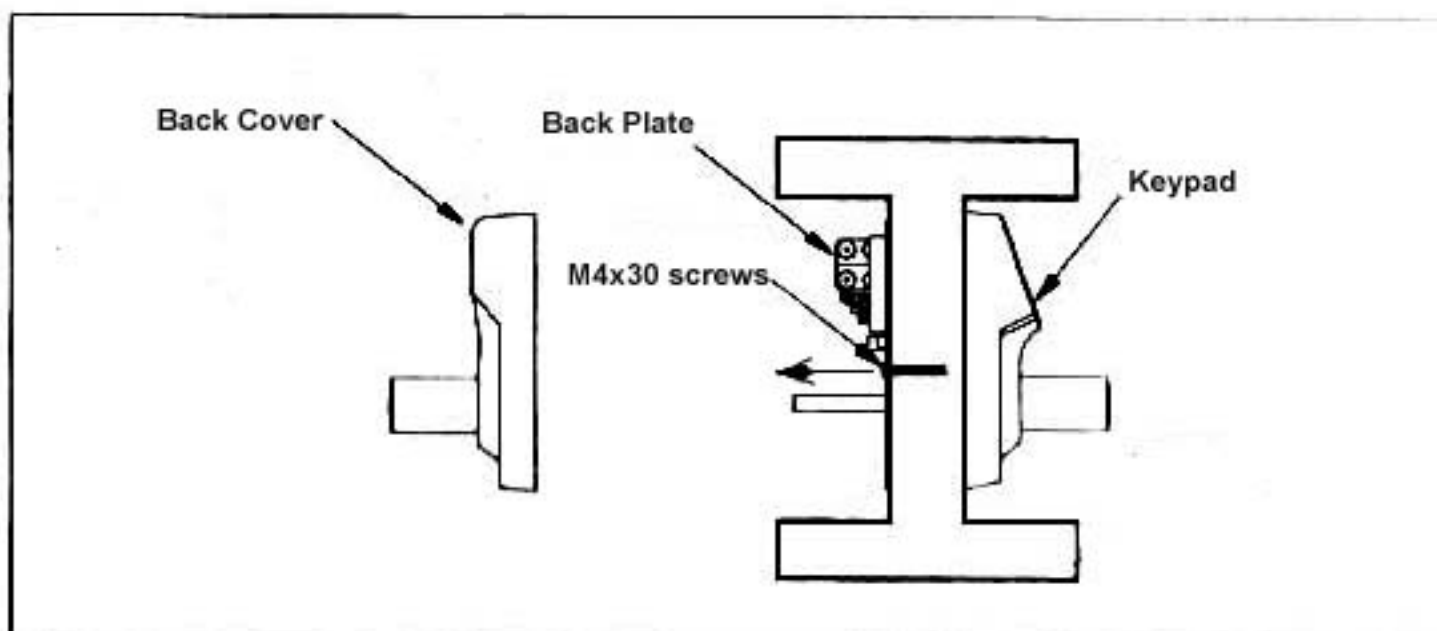


Remove the **Back Cover**.

## Second Step

Remove M4x30 screws by turning screws counter-clockwise (ccw)

Remove the **Back Plate & Keypad** from package.



# Installation: Right-Hand & Left-Hand Locksets

Technical Support

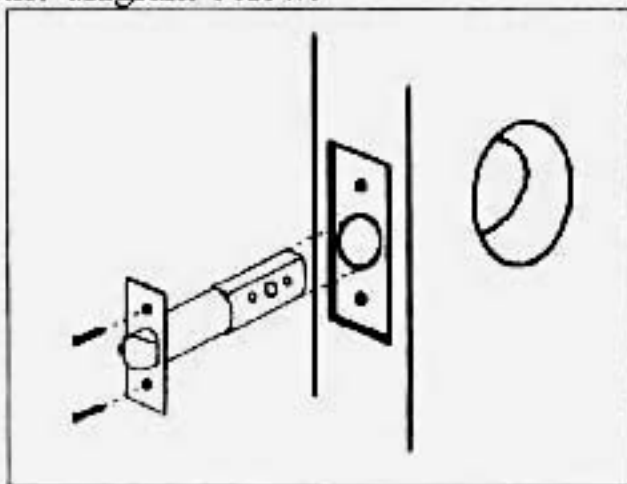
1-855-288-6657

M-F 9am-4pm PST

[www.ginodevelopment.com](http://www.ginodevelopment.com)

## Install The Door Latch

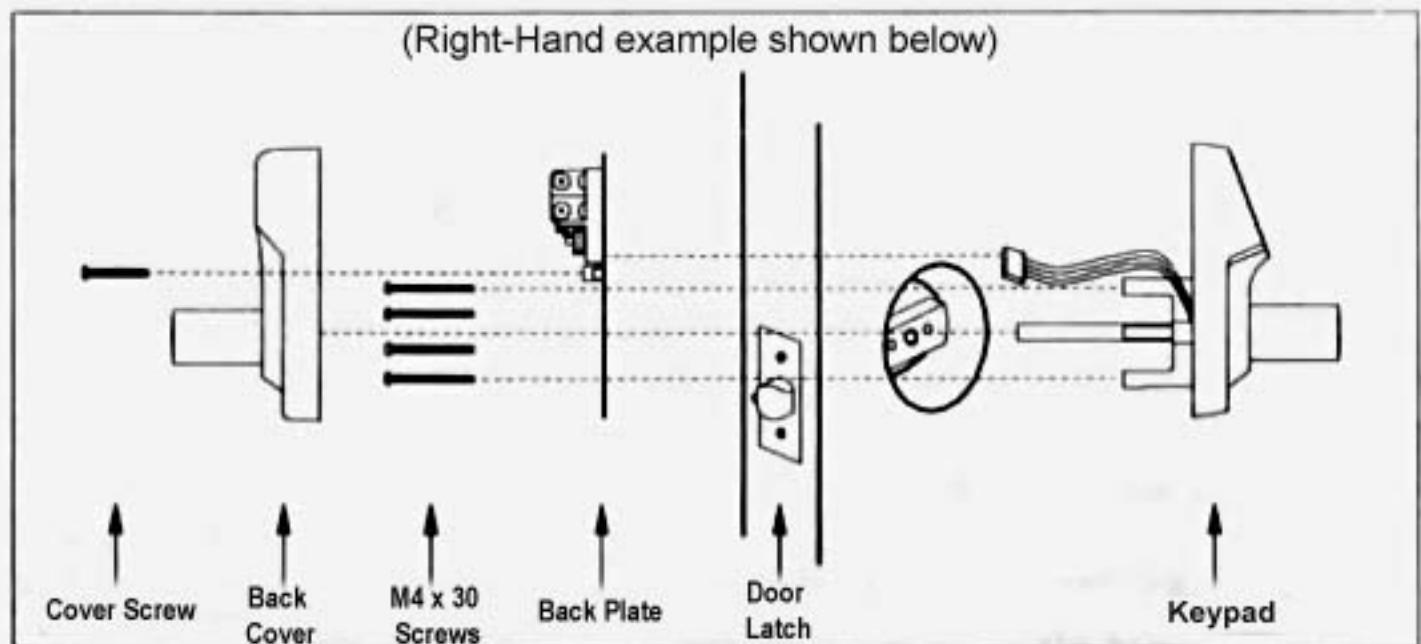
Refer to latch diagram (on last page) for the latch adjustment instructions. Install as shown in the diagram below.



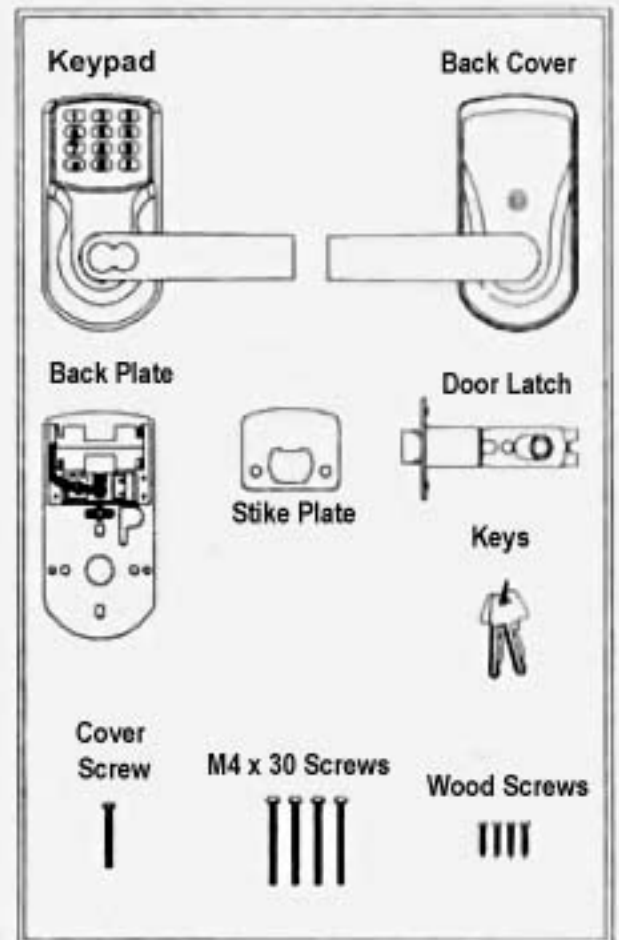
## Install The Lock Plate

Insert the parts behind the keypad into the hole on the deadbolt. Slide wire ribbon over the top of latch mechanism and then insert into connector on the back plate. Align the four mounting holes on the back plate with the four screw holes on the front plate, insert four M4x30 screws and fasten. Finally, install the back cover, insert one M5x20 screw and fasten.

(Right-Hand example shown below)

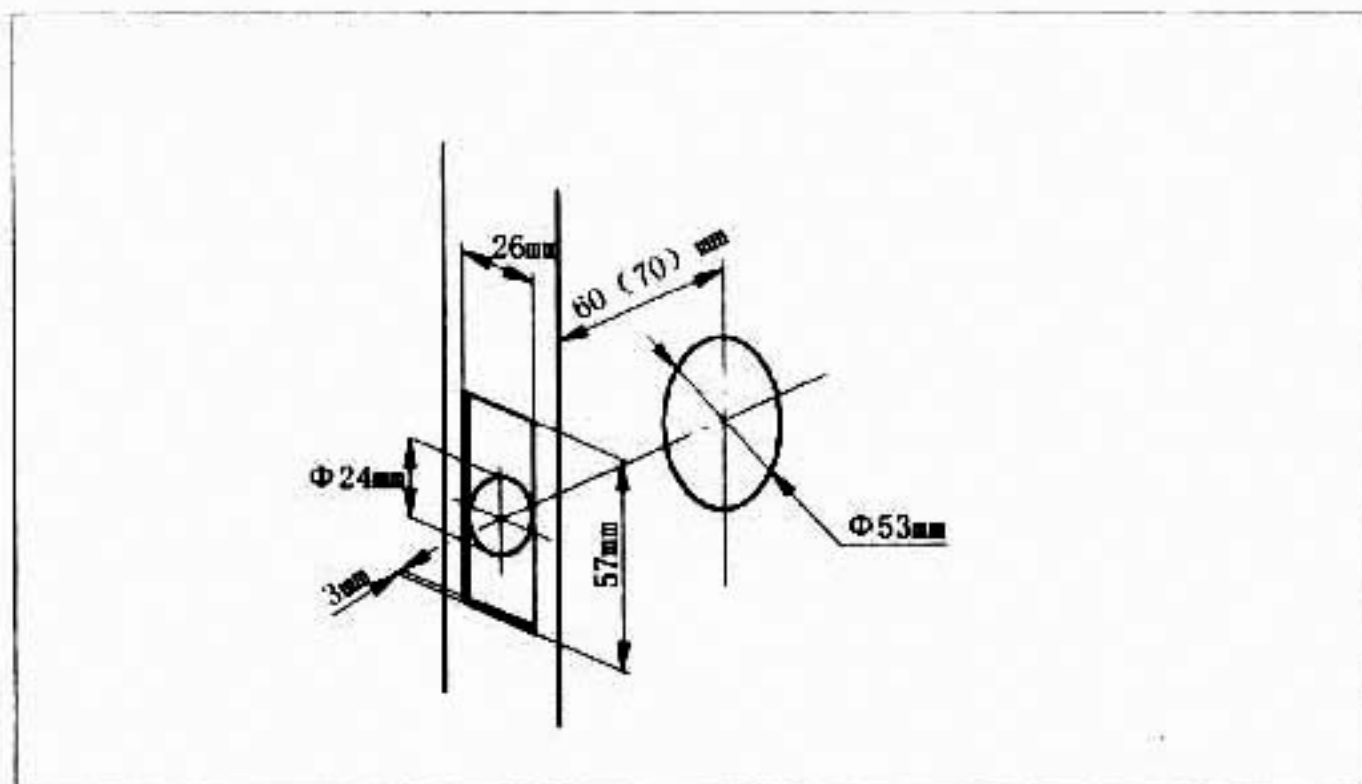


Parts (Right-Hand example shown)

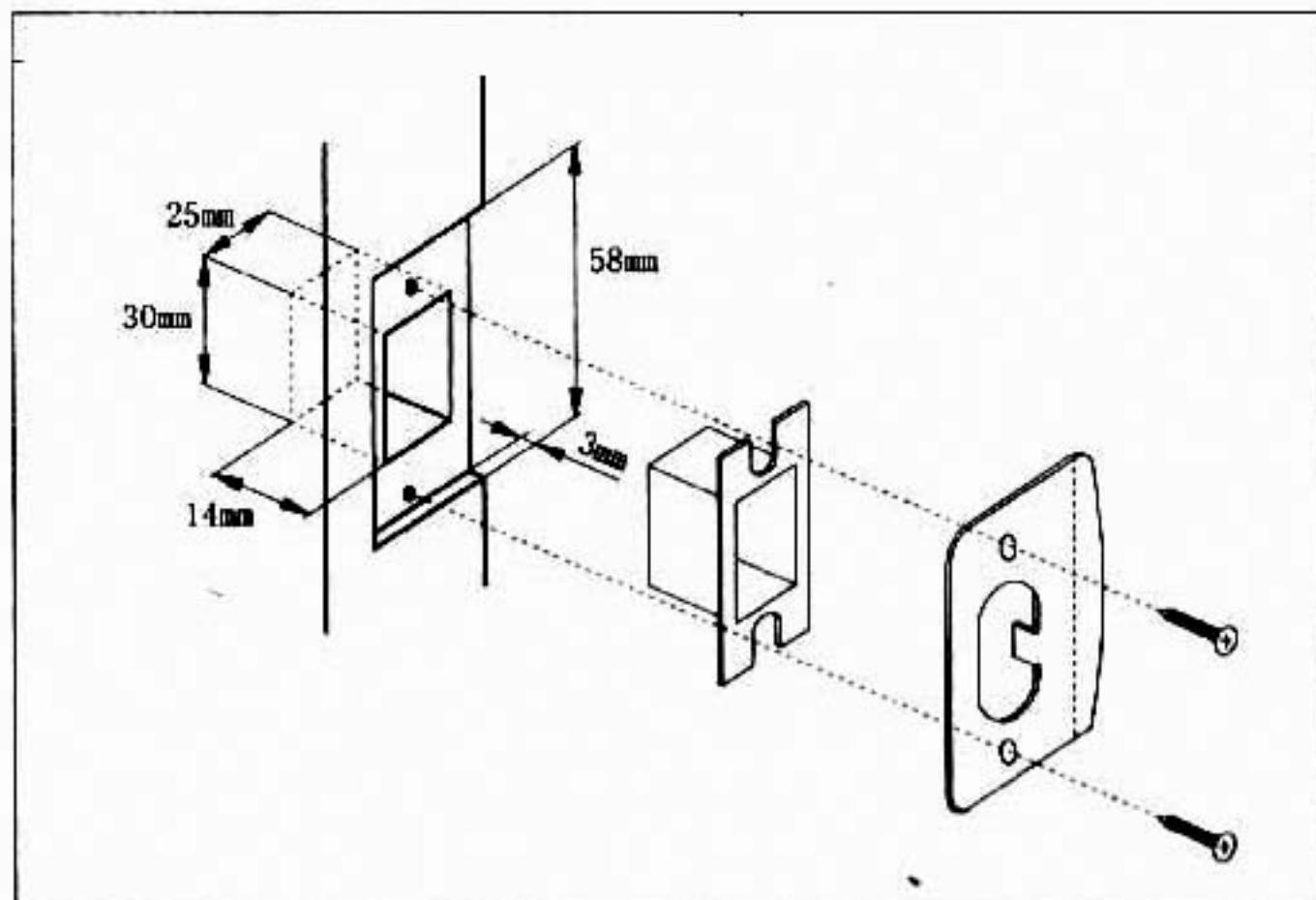


# Standard door cutout dimensions

(provided for reference only)



## Strike Plate

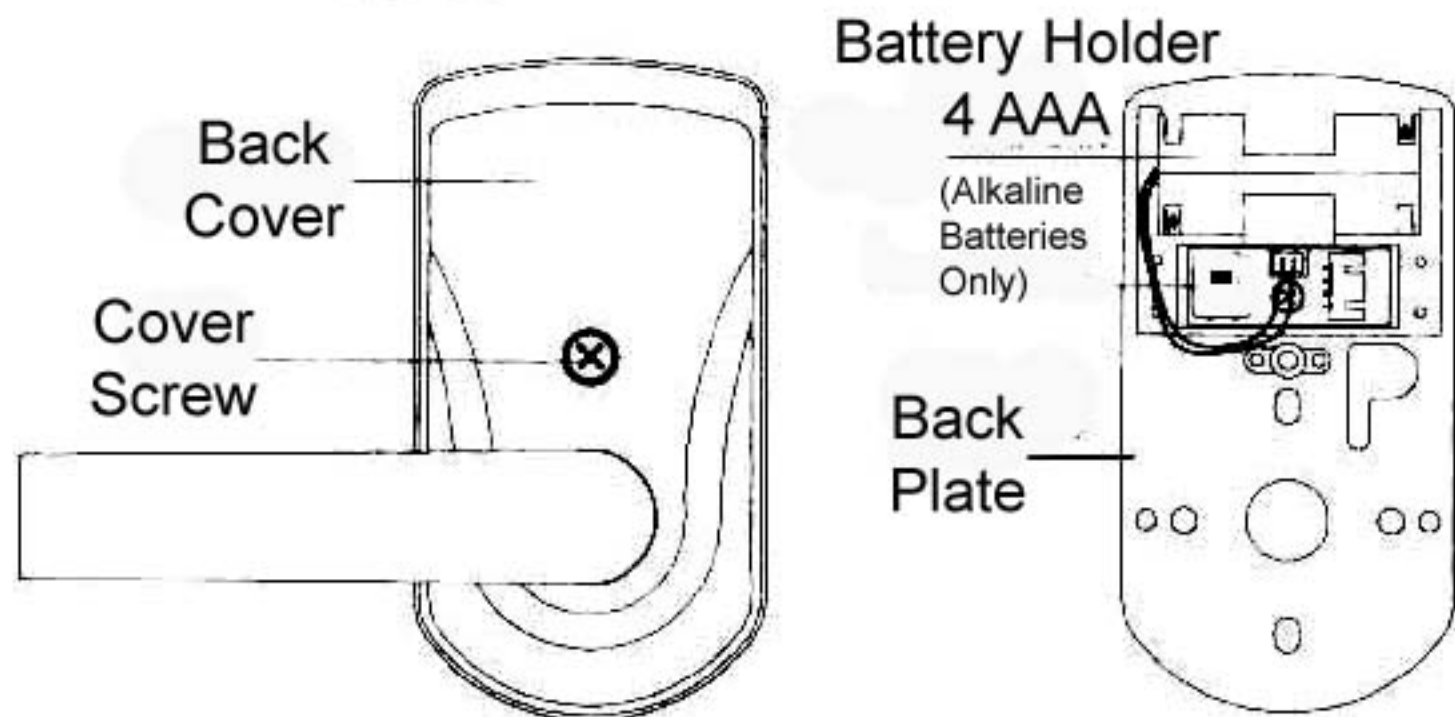
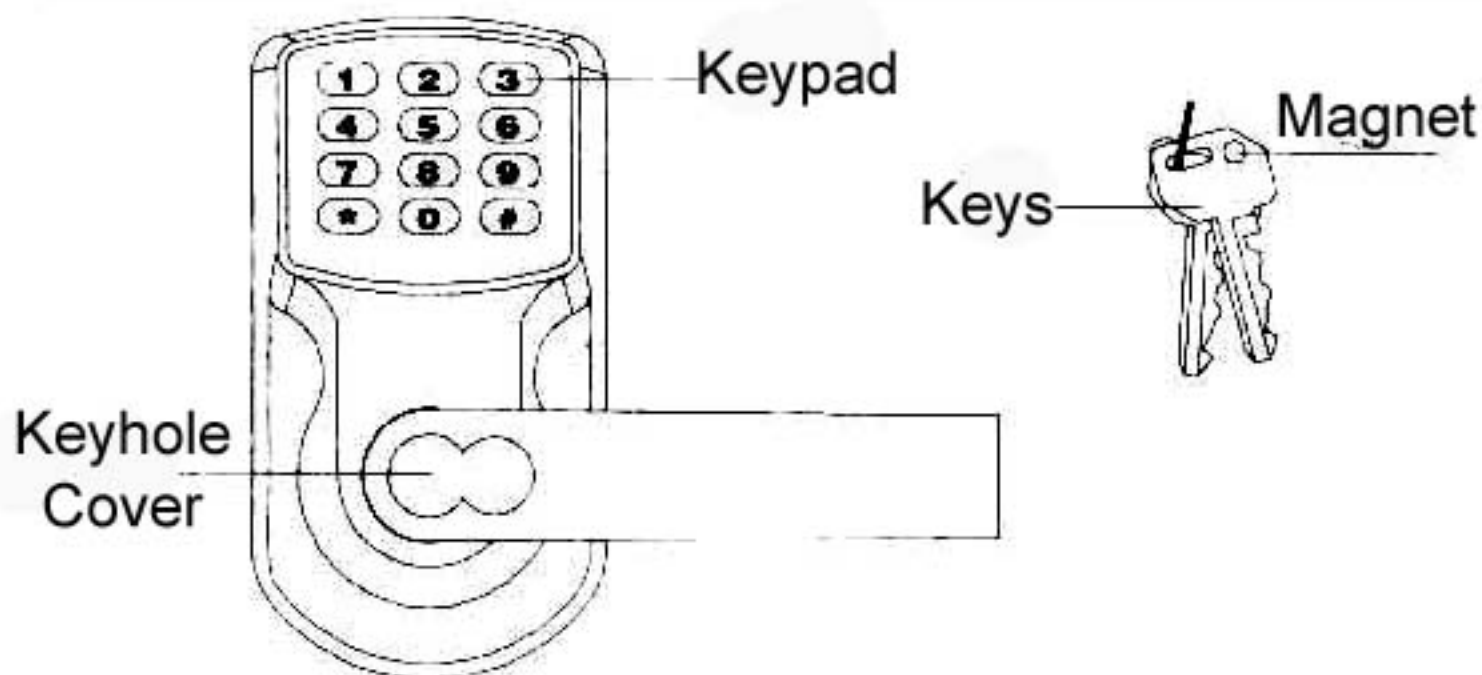


## Override Keys

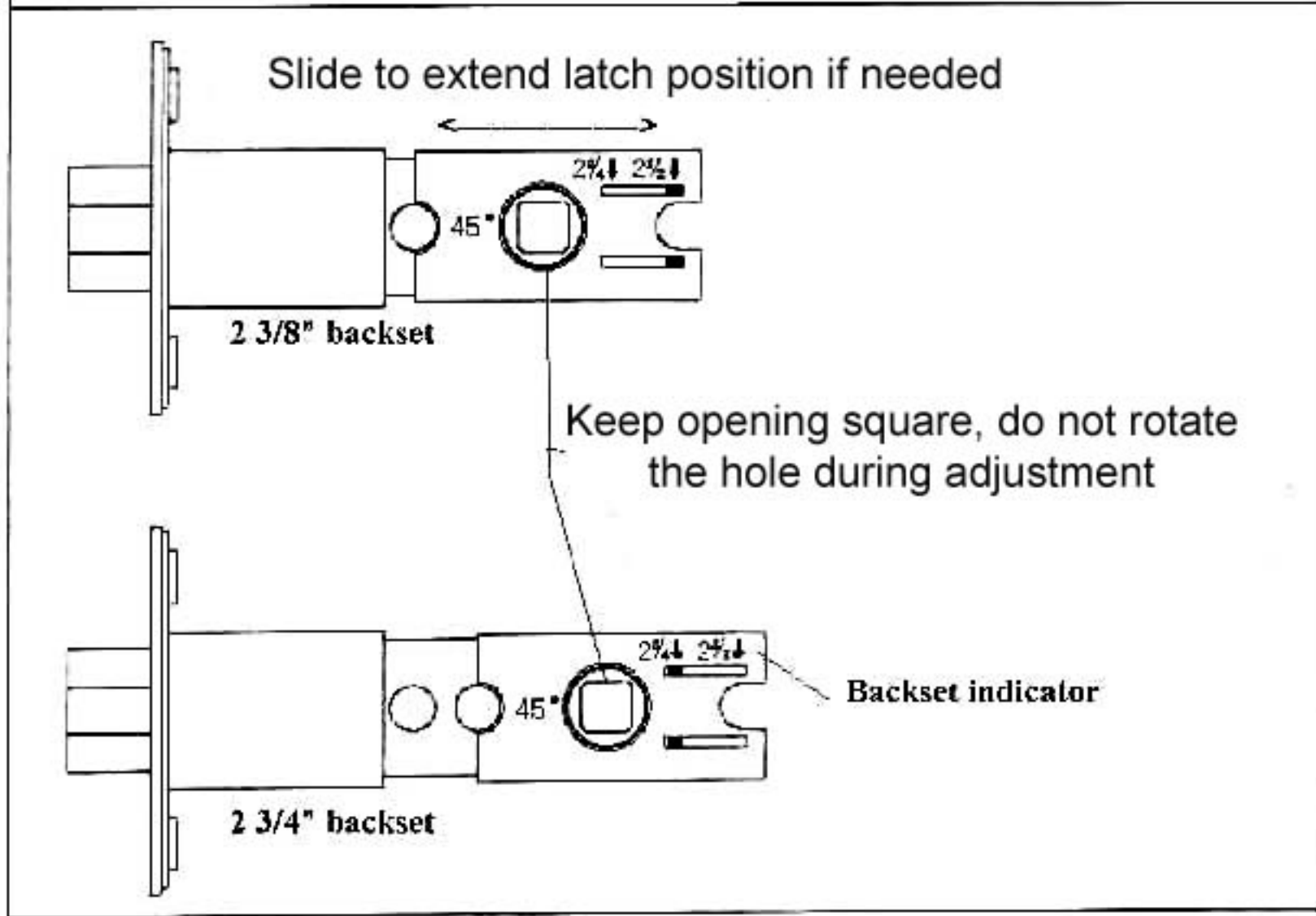
Remove the keyhole cover using the override key magnet. Insert key into keyhole and turn CW 1/4 turn. Open door with handle lever as normal. Turn key back and remove key. Replace keyhole cover.

## Battery Installation

Remove Cover Screw and Back Cover. Push upward on battery holder to remove. Insert 4 "AAA" Alkaline batteries (battery (-) toward spring). Replace battery holder, cover & screw.



## - LATCH ADJUSTMENT -



*Requires compatible mobile device and software.*

This lock requires a compatible IOS or Android device (smartphone) and Ttlock app (software) for programming, operation and management. The Ttlock app is available free in the iphone app store and for android devices from Google Play.