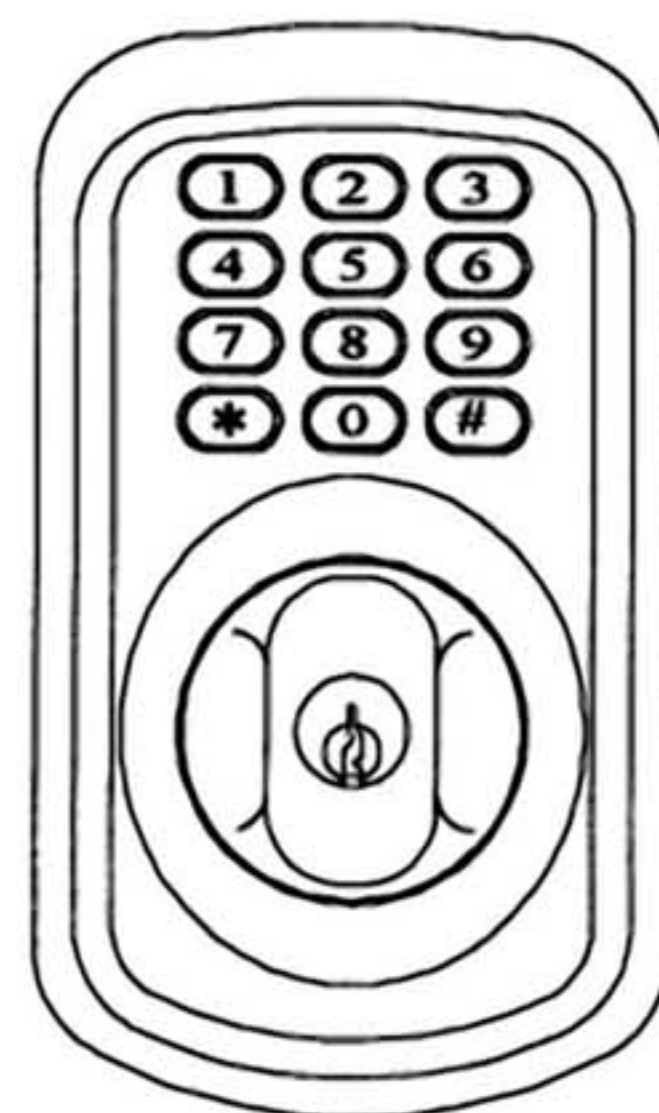


smartcode™

Smartphone Managed Keyless Entry System



Smart Bluetooth Keyless Deadbolt Lock

Satin Chrome: 11-1126 Antique Brass: 11-1127 Bronze: 11-1128

Gino Development Inc.
2140 Ward Ave.
Simi Valley, CA 93065

www.ginodevelopment.com
Product Support: 855-288-6657

Thank you for your purchase. Your new keyless lock features a unique design for ease of installation, reliable operation, advanced security and key-free convenience. Universal door compatibility ensures installation in any standard door with no modifications.

To preview the installation steps and become familiar with your new lock, please read the manual completely before proceeding to install the lock.

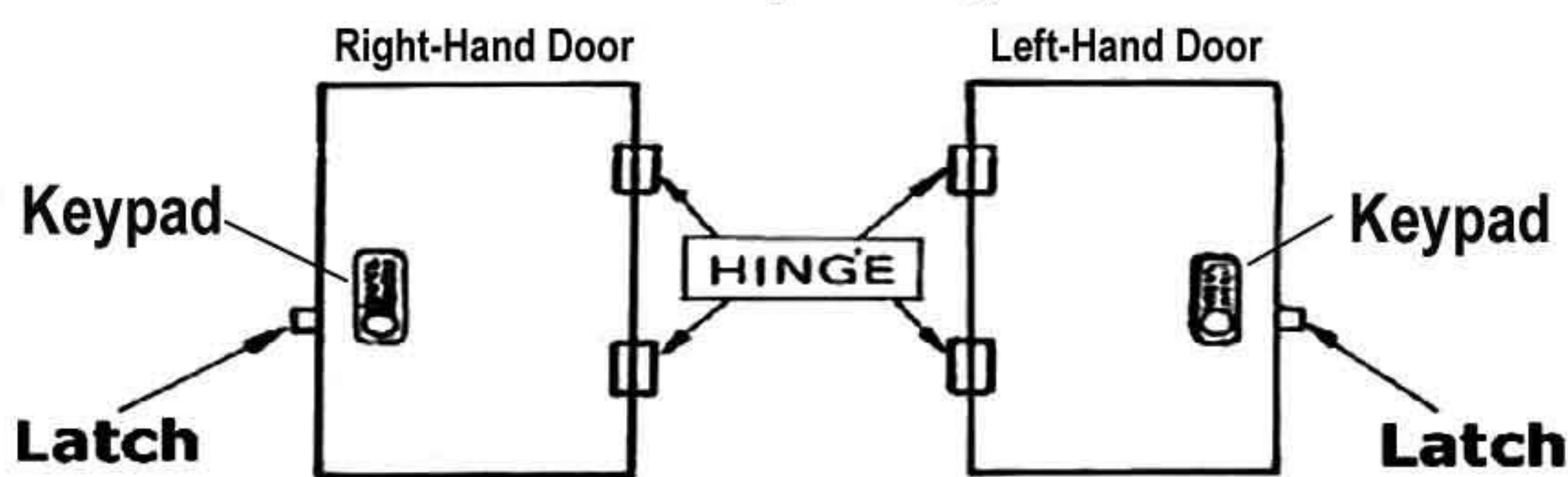
Installation requires a door with a standard pre-drilled opening. New uncut (blank) doors and uncut doorjams must be drilled with standard openings. Use the templates on Page 2 as a reference if you will be cutting new openings.

Tools & Batteries Required:

- 1) Philips Screwdriver
- 2) 4x "AA" Alkaline Batteries

Installation Step 1

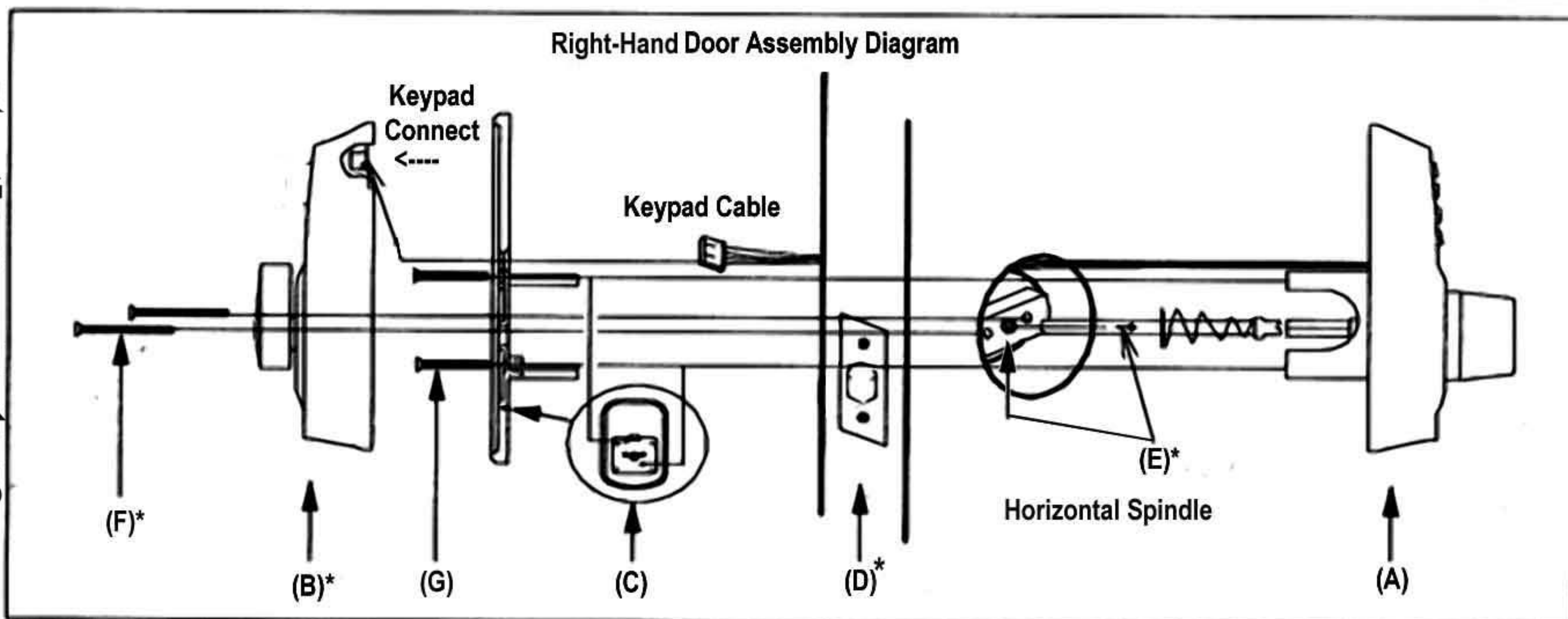
Determine your door type.



Step 2: Part Assembly by Door Type

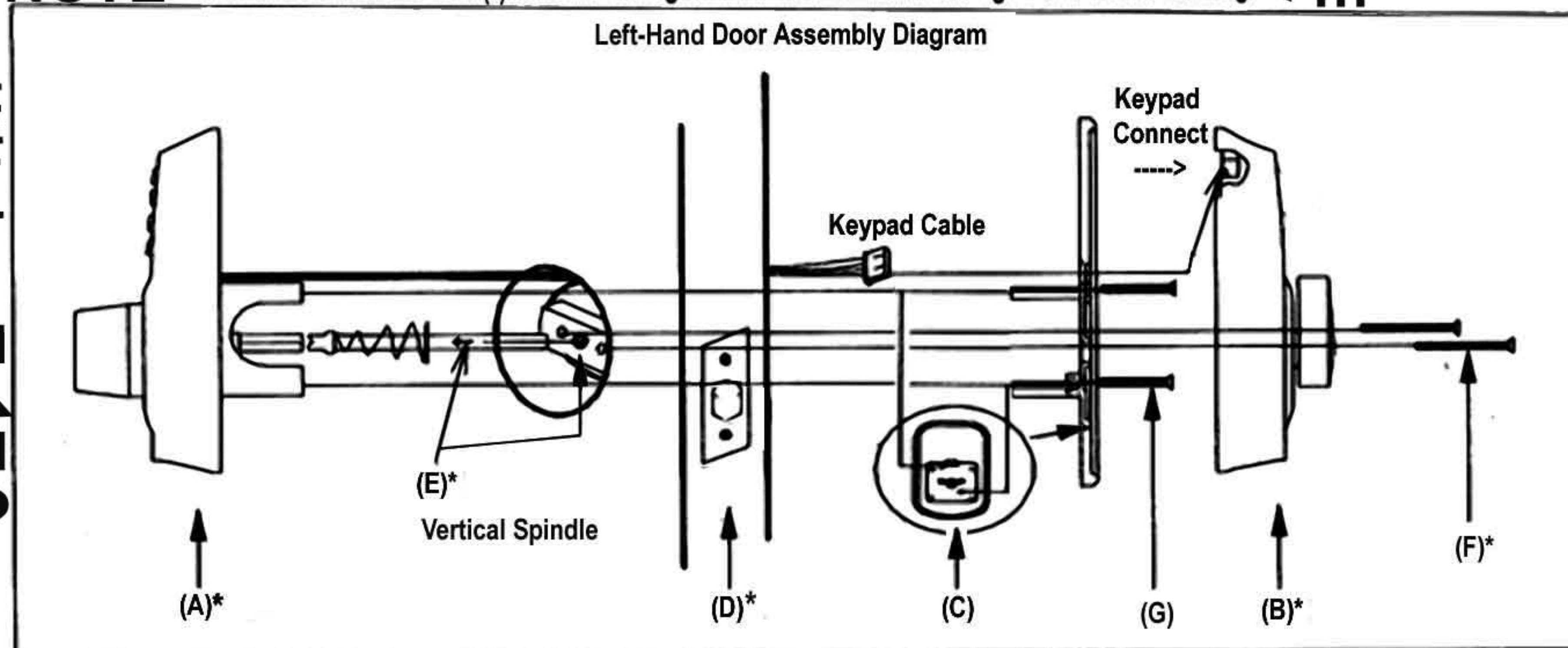
Parts List

DZAI-HI-R

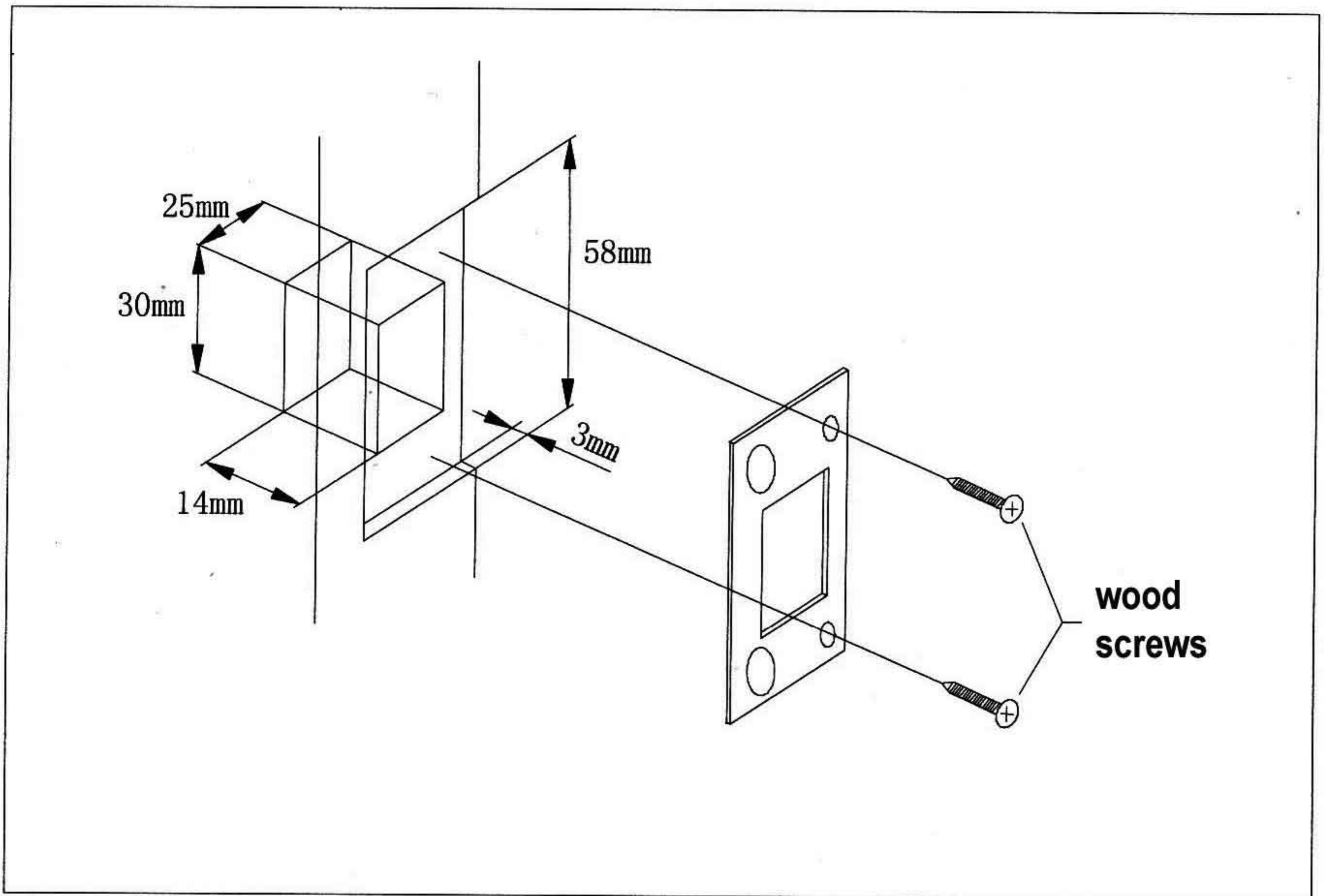
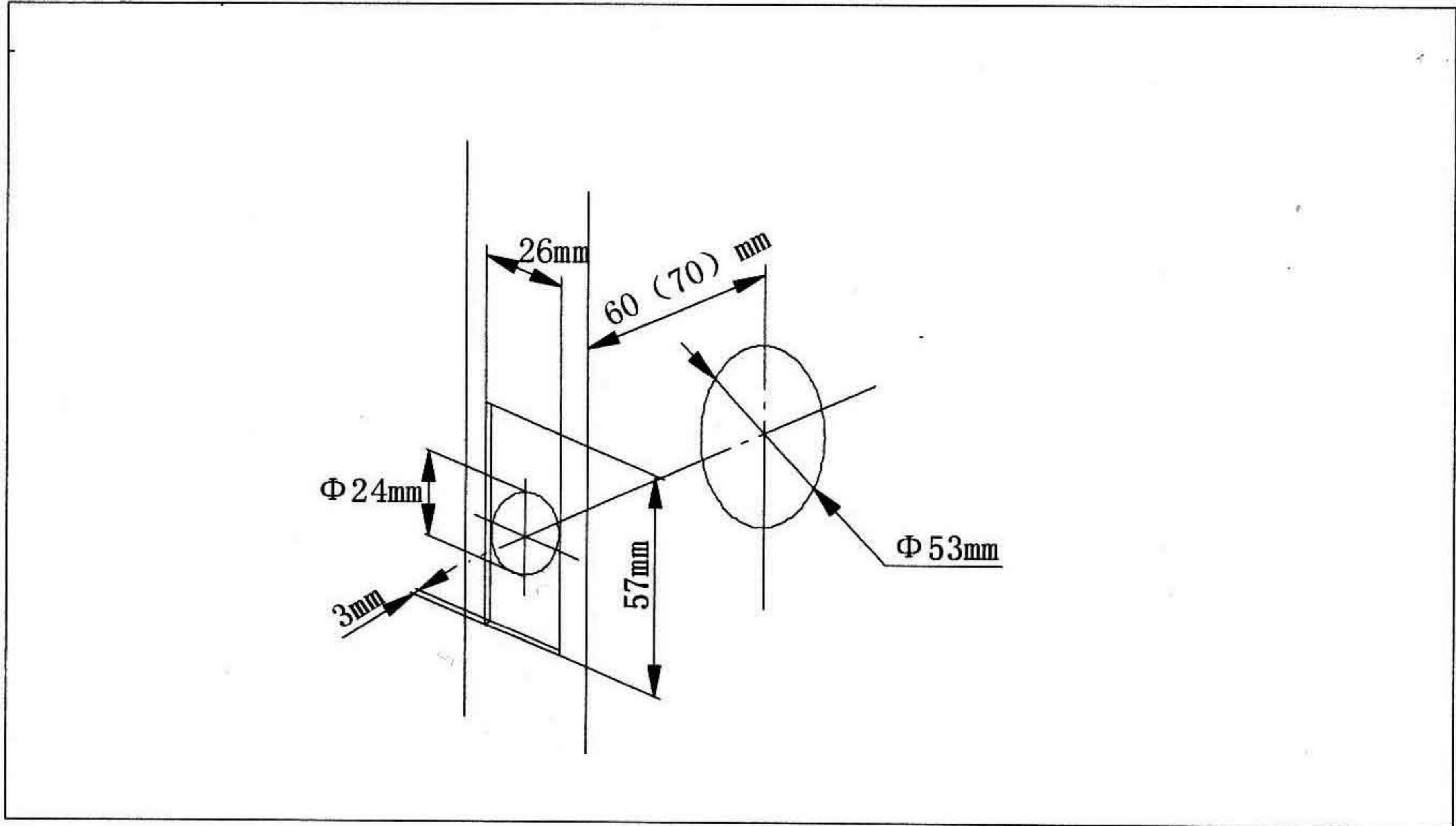


!!! NOTE > Part letters marked with (*) must be configured for installation. See Pages 3-4 before starting. **< !!!**

DZAI-HI-L

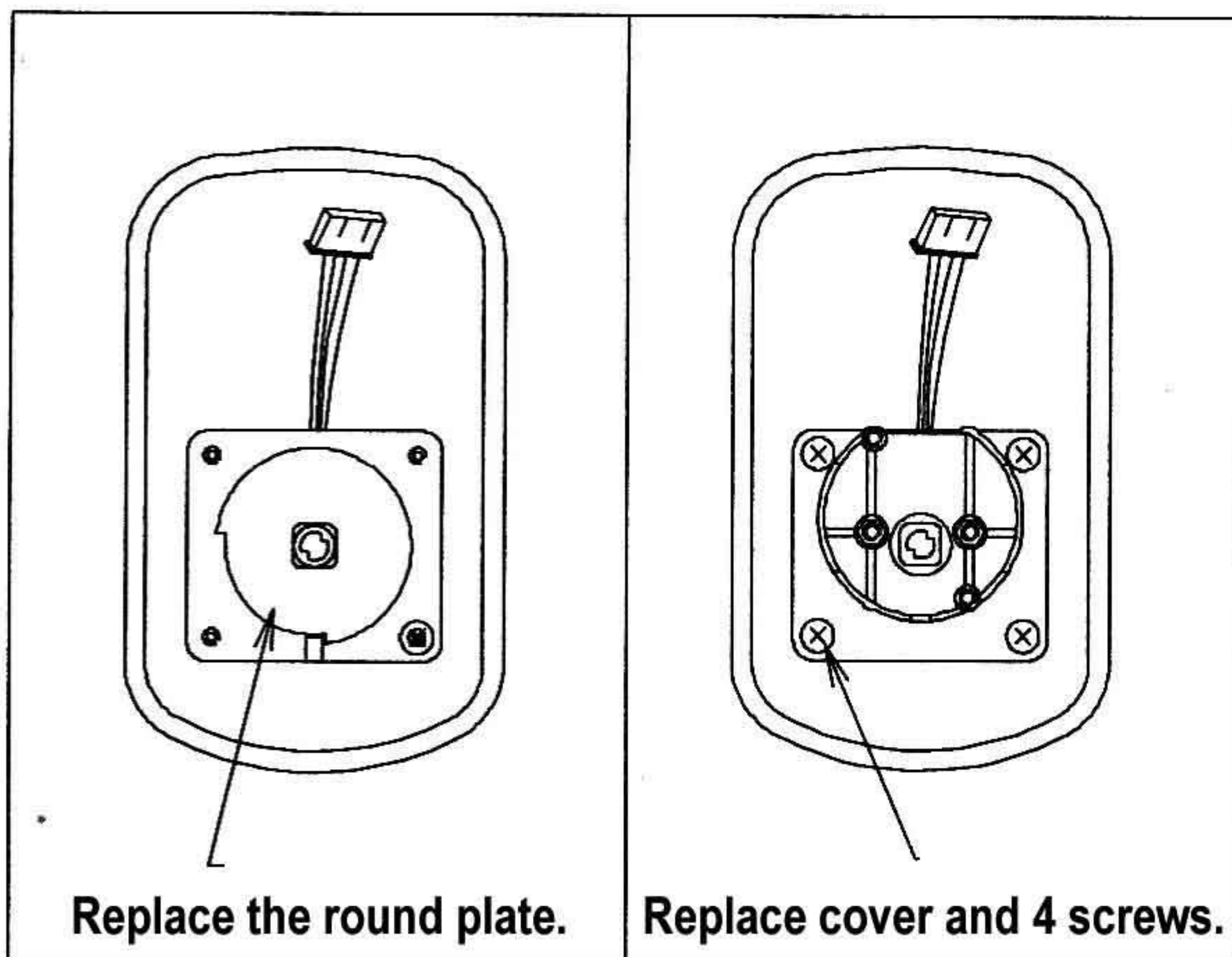
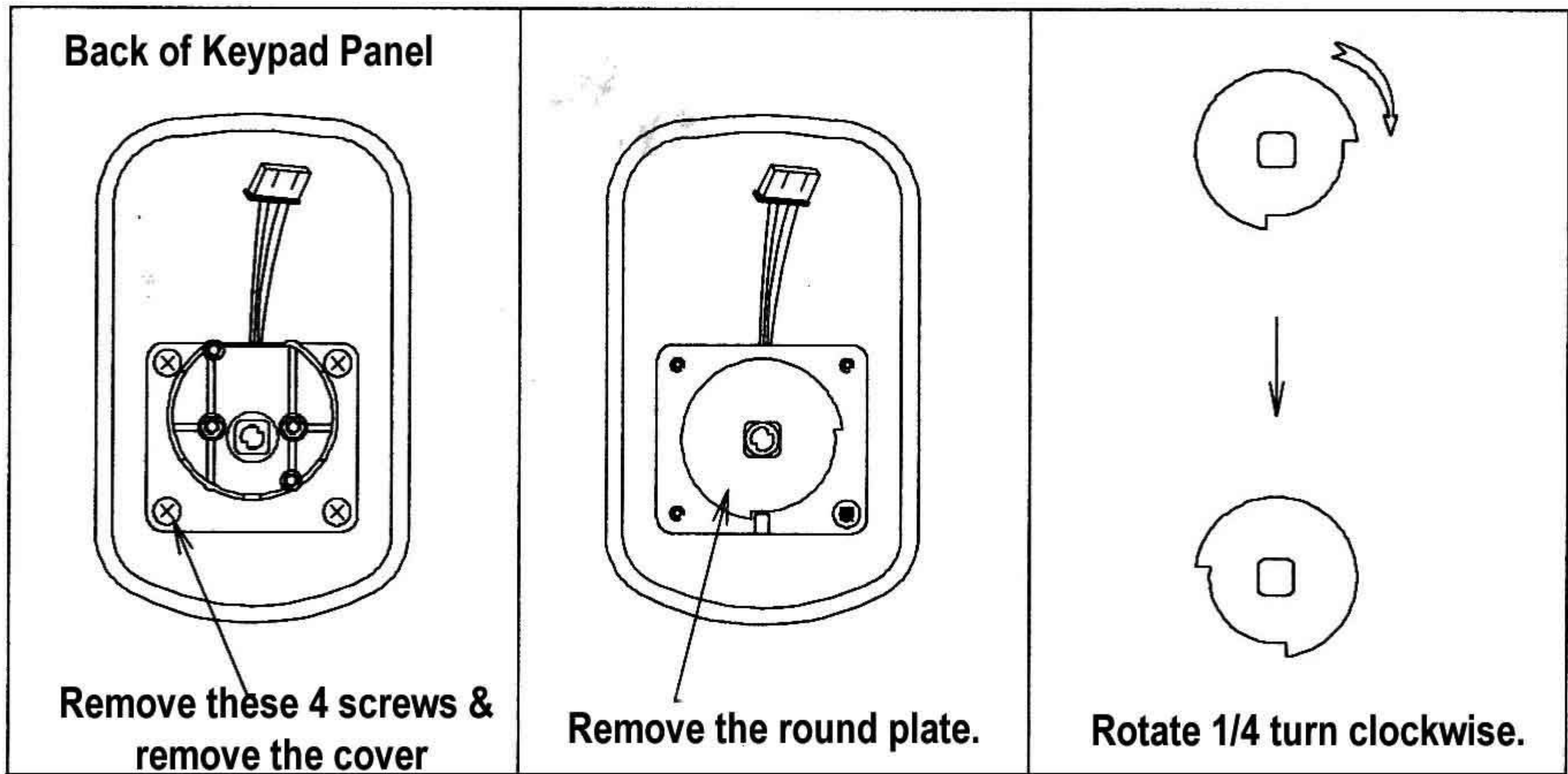


Assembly Sequence: 1. Install Latch 2. Insert Spindle into Keypad 3. Position the keypad on door with spindle into latch 4. Run cable through door then into square hole in Mount Plate 5. Attach Mount Plate using Plate Screws 6. Connect Cable and mount Switch Panel using Panel Screws. 7. Attach strike plate to door jam using wood screws 8. Check strike plate for proper alignment with deadbolt and adjust strike plate if necessary.

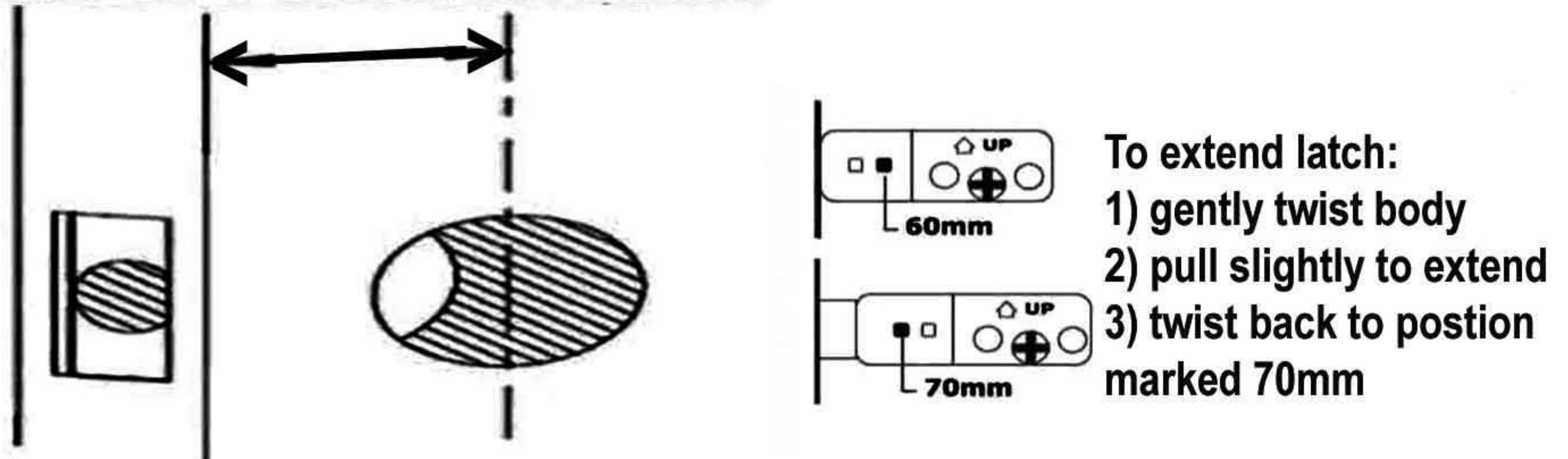


Installation Note (A): Left-Hand Door Handle Rotation Direction

If your door is Left-Hand complete the following steps before mounting the lock.

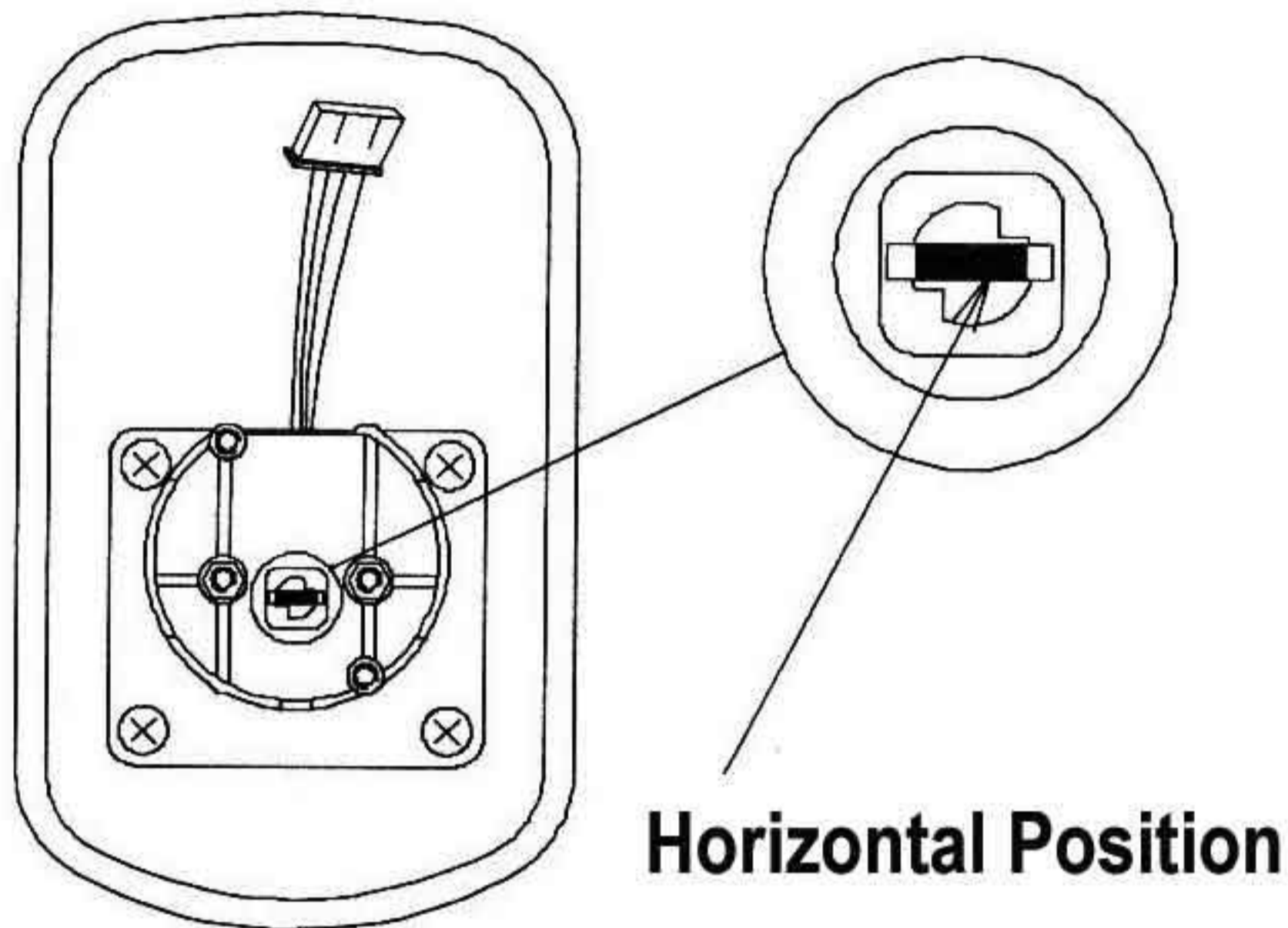


60mm or 70mm backset

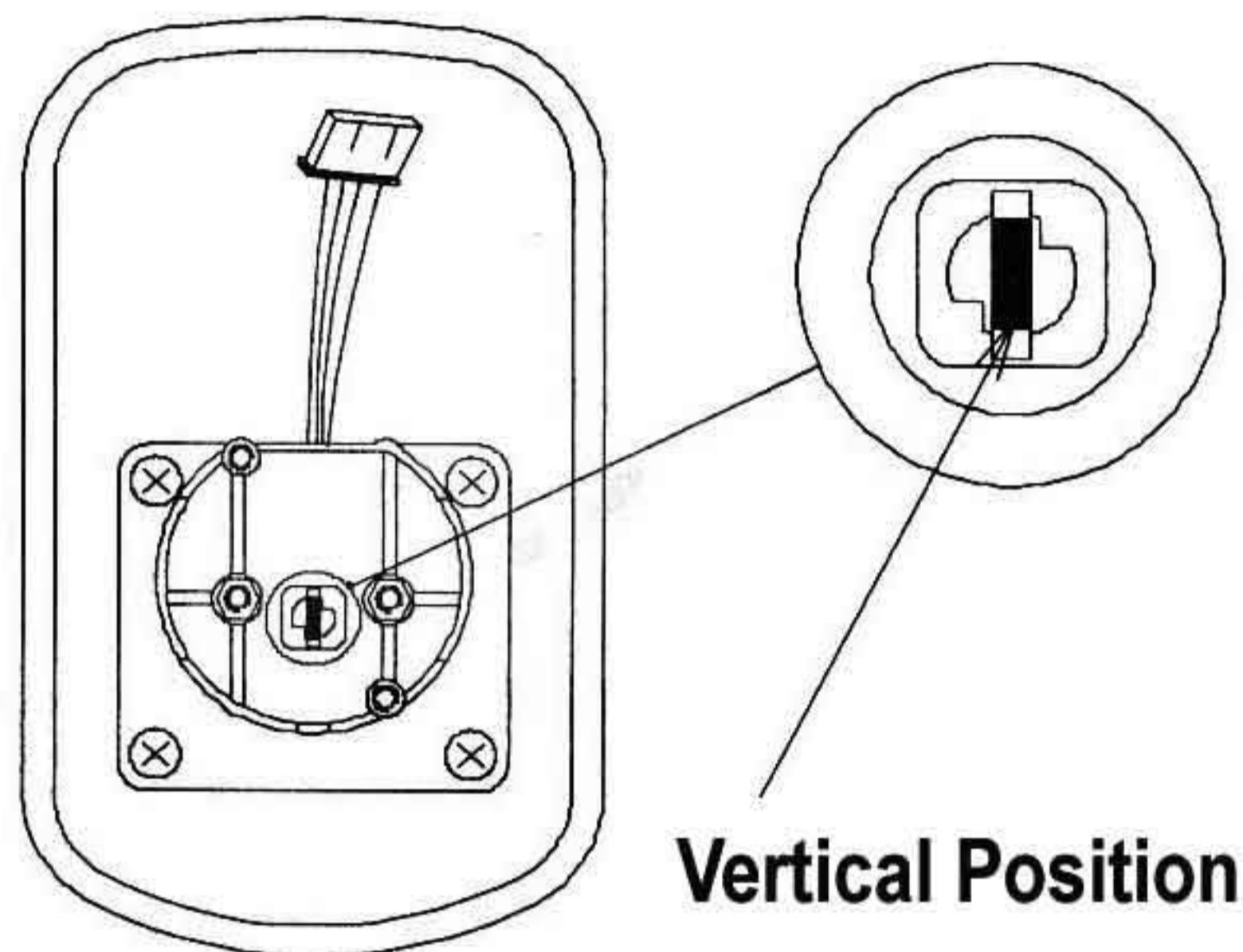


Installation Note (D): Adjust Latch for Backset 60mm or 70mm

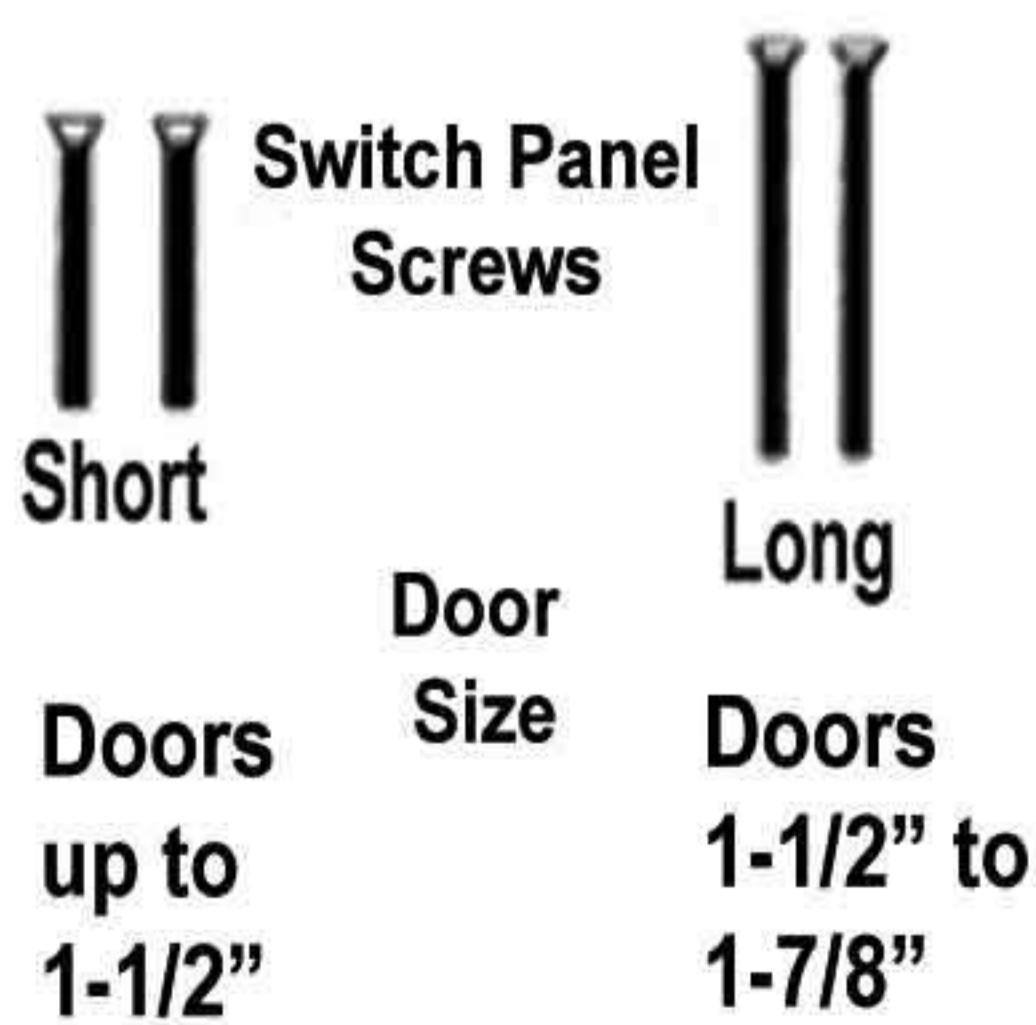
Spindle Position for Right-Hand Door



Spindle Position for Left-Hand Door

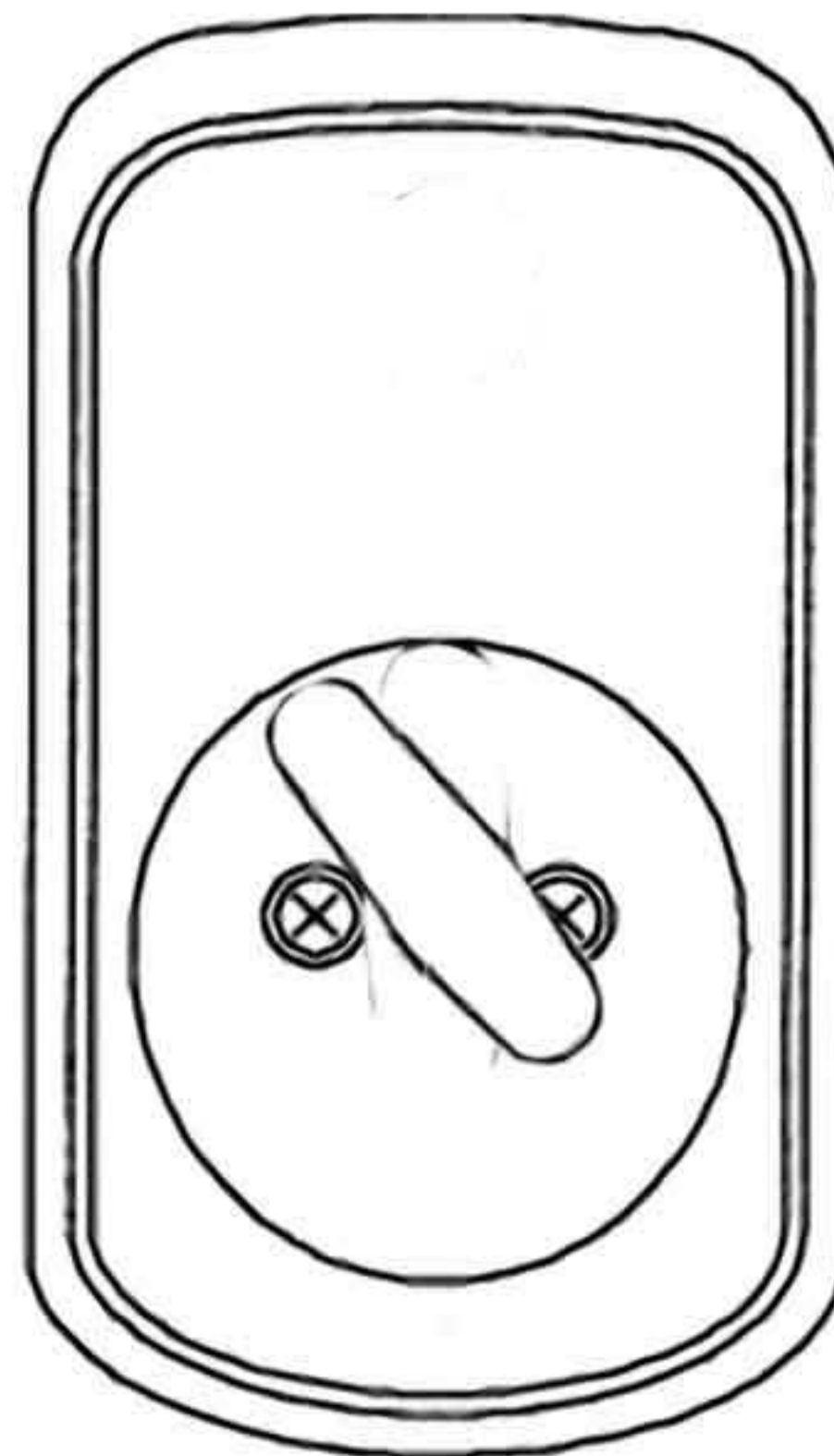


Installation Note (E): Spindle Position

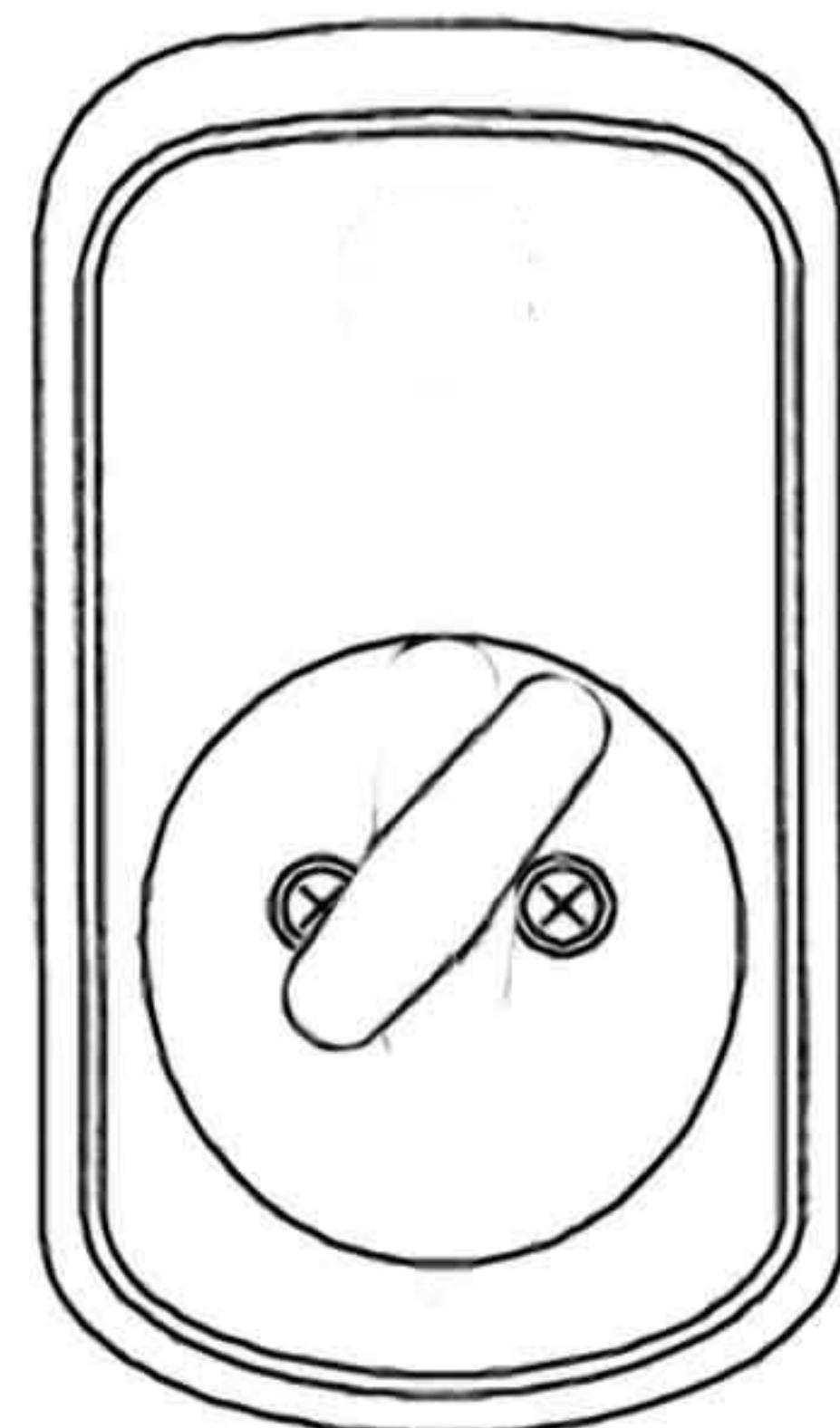


Installation Note (F)

Right-Hand Door



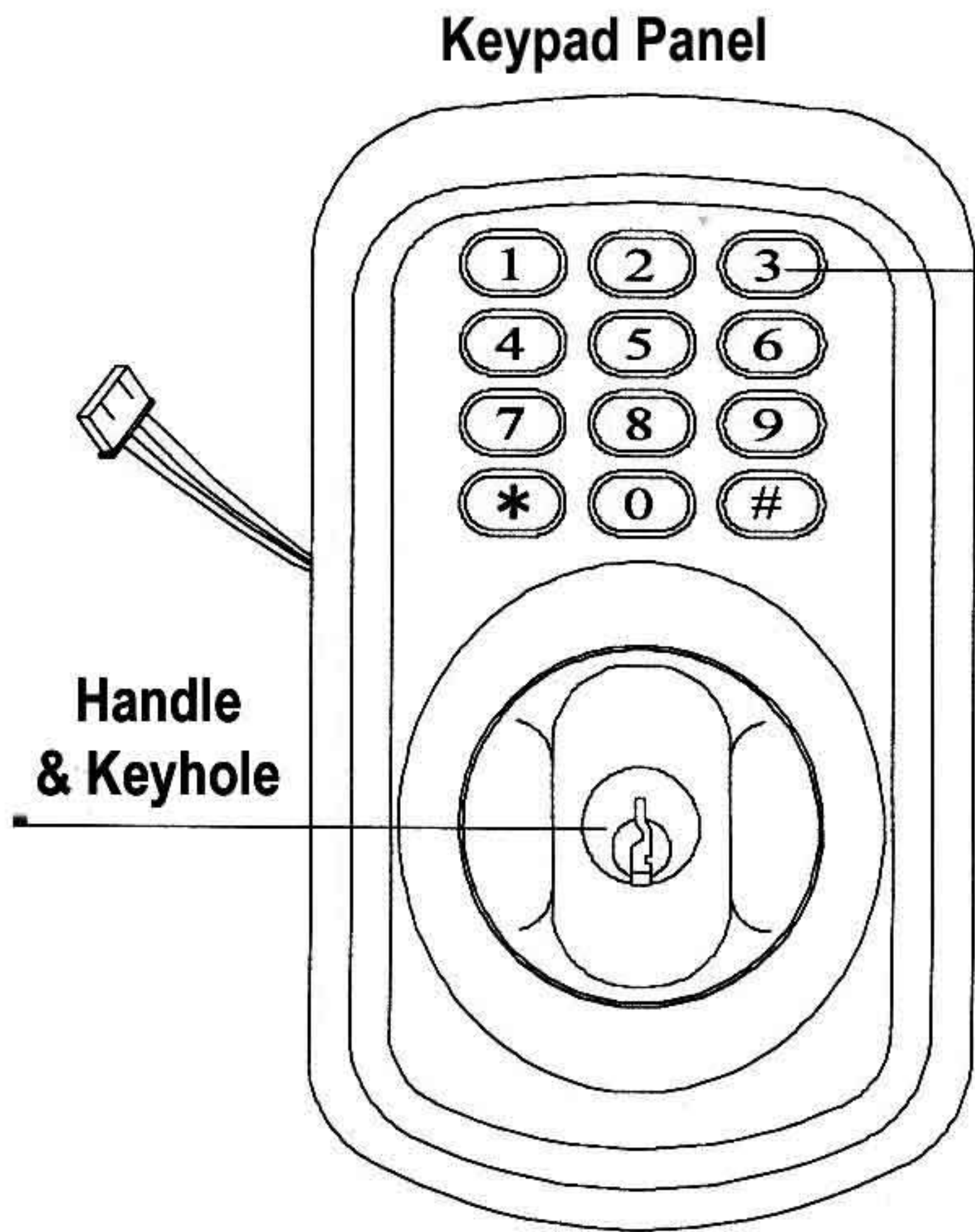
Left-Hand Door



Installation Note (B): Switch Position

Lock Parts and Function Controls

Lock requires compatible iPhone or android smartphone using TTLOCK app for programming and management. Search for TTLOCK in App Store or Google Play.



Keypad

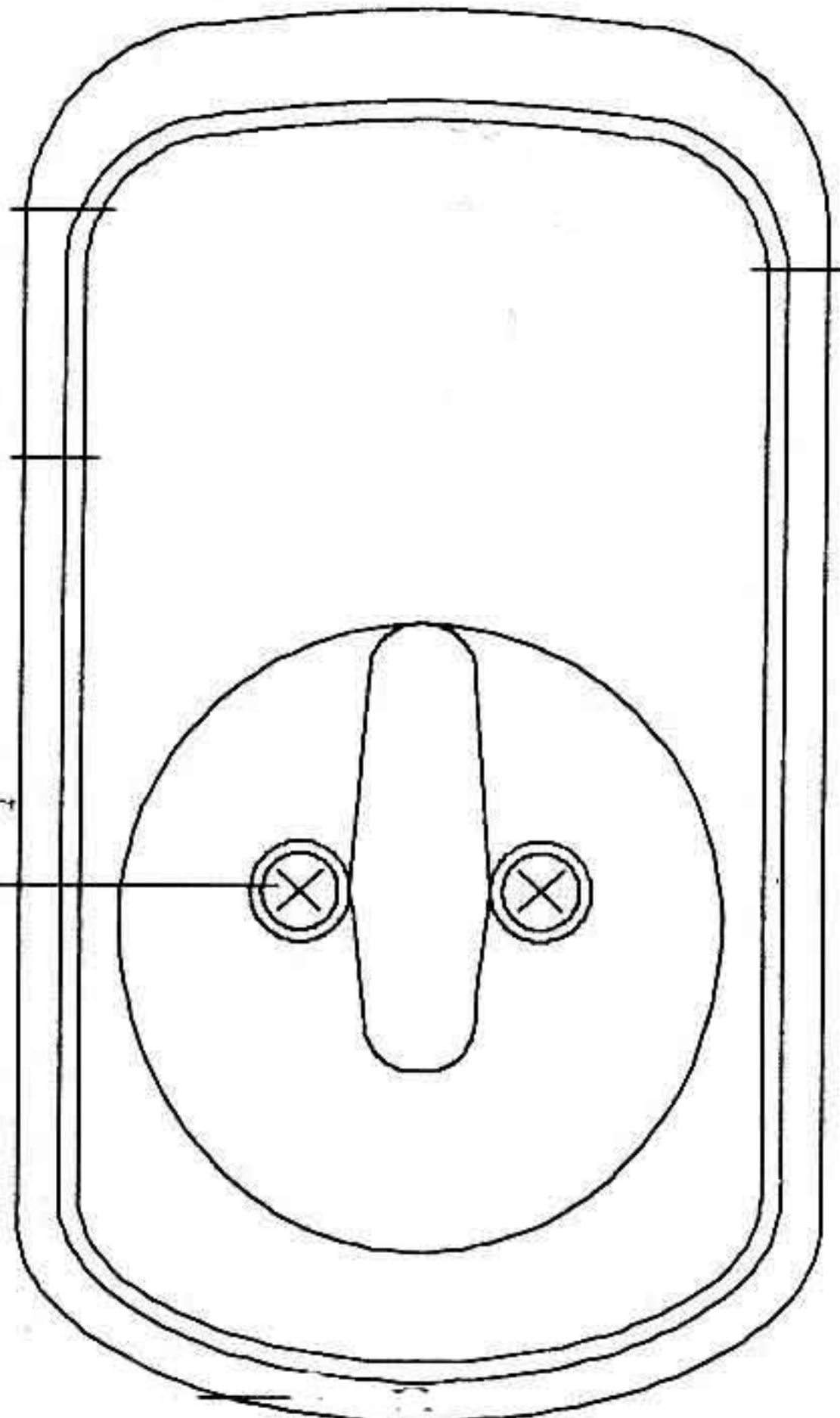
Handle & Keyhole

Bypass Keys



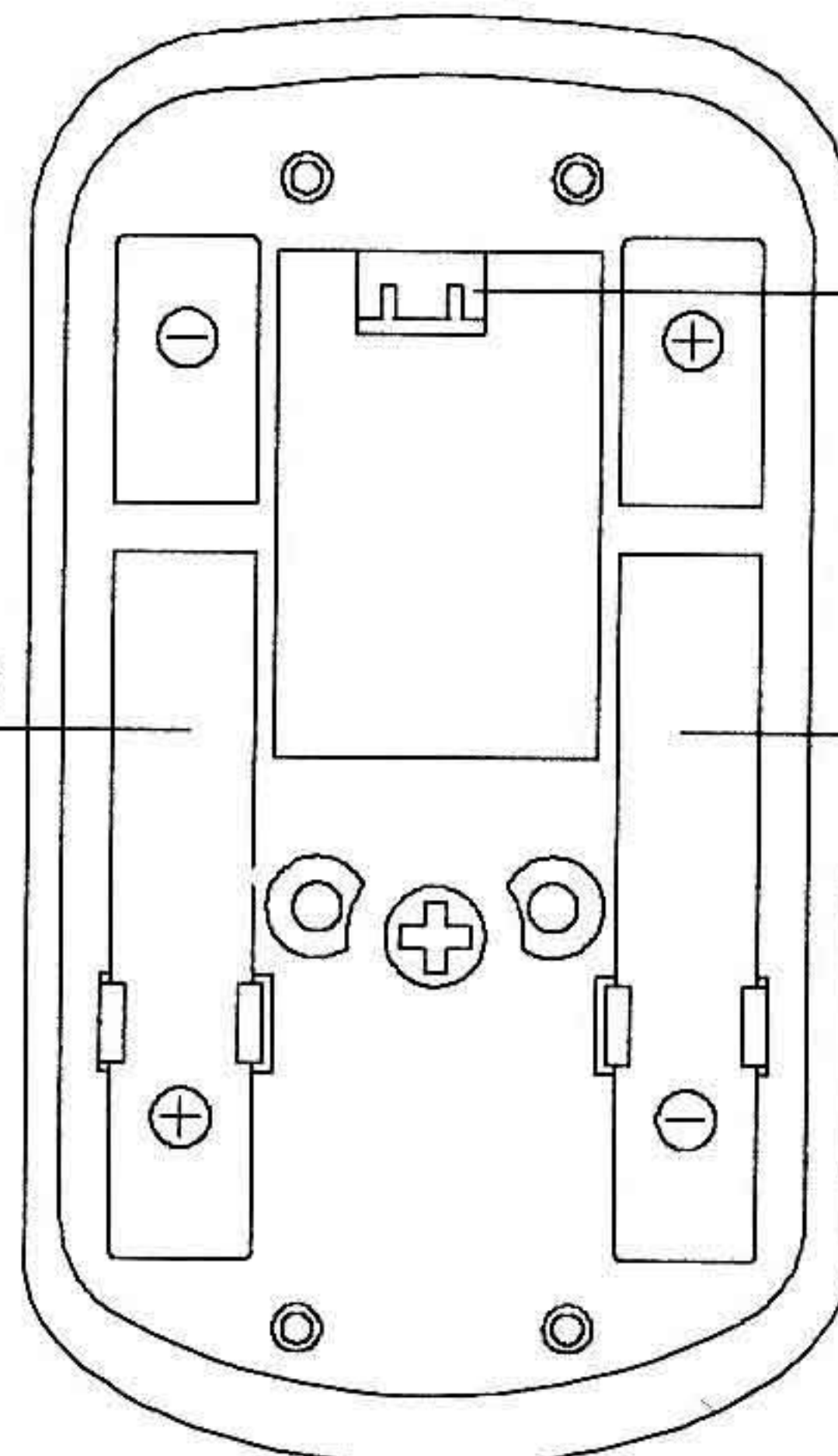
Bypass keys operate in the same way as do standard keys.

Switch Panel Front



Deadbolt Switch

Switch Panel Back



Keypad Connector

Insert 2x AA Batteries

Insert 2x AA Batteries