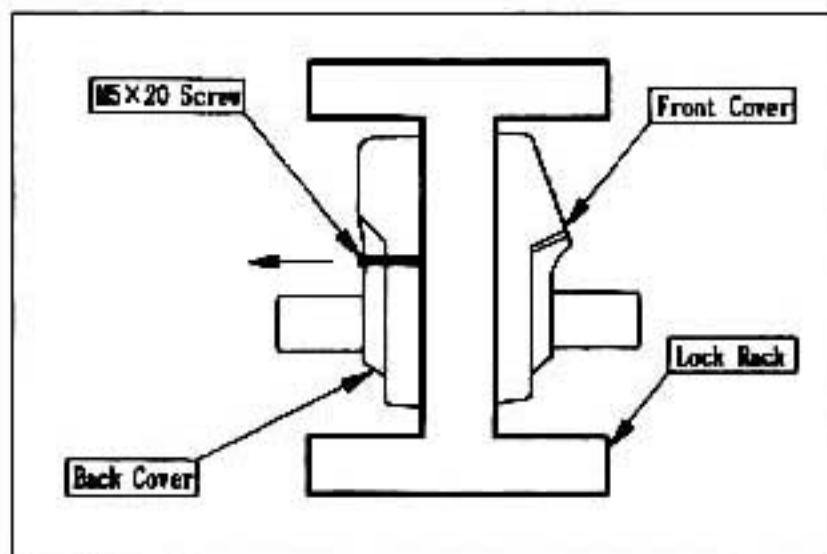


Manual For Taking Down The Digital Lock

First Step

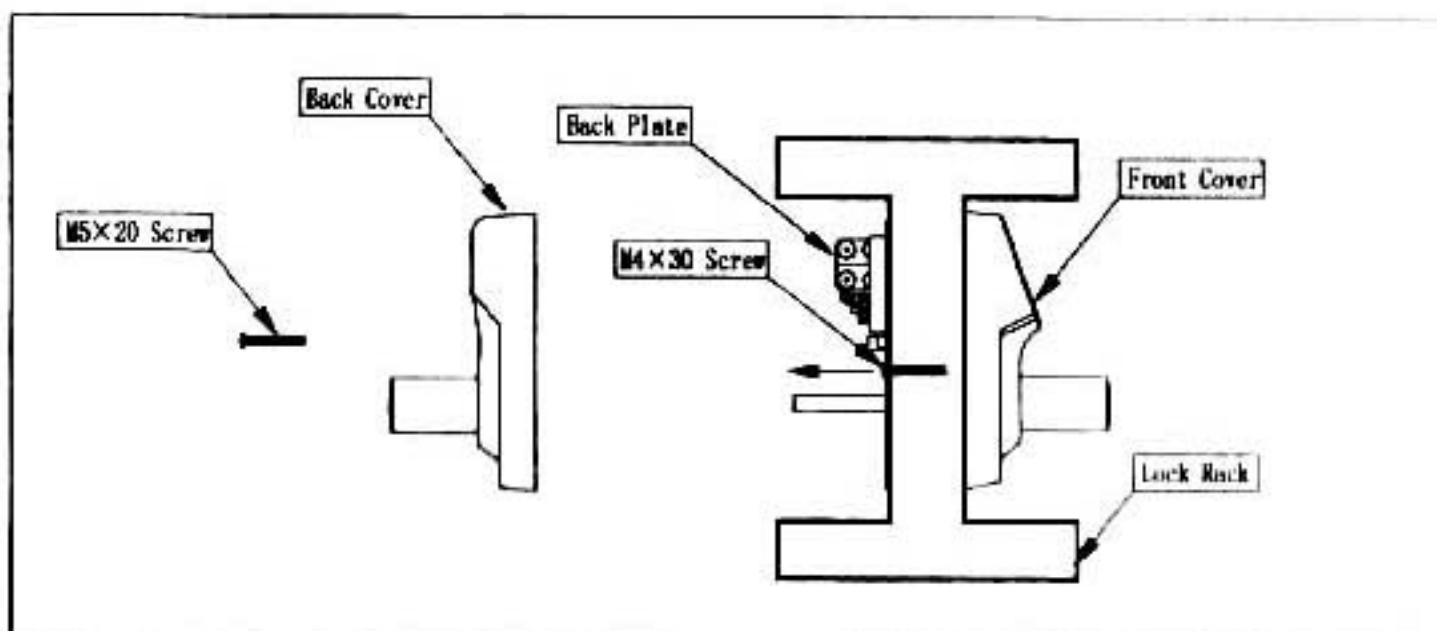
Remove M5x20 screw by turning screw counter-clockwise (ccw).



Remove the **Back Cover**.

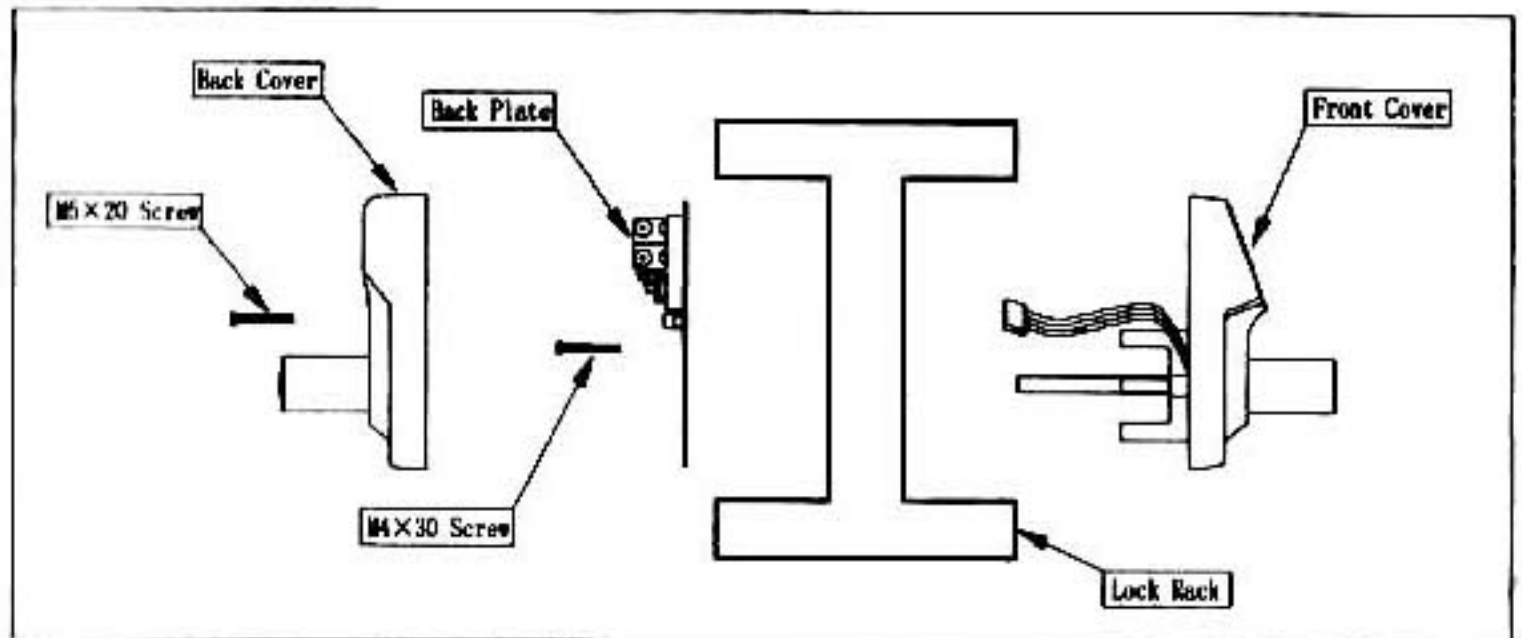
Second Step

Remove M4x30 screw by turning screw ccw.



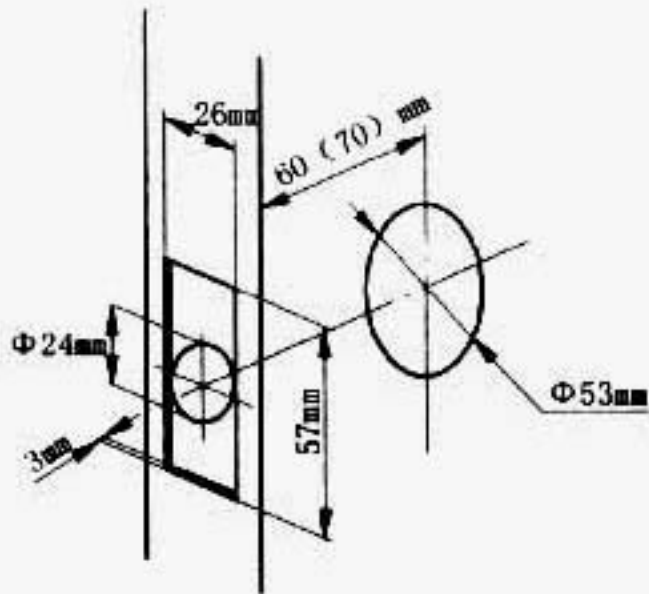
Third Step

Remove Back Plate and Front Cover from Lock Rack.

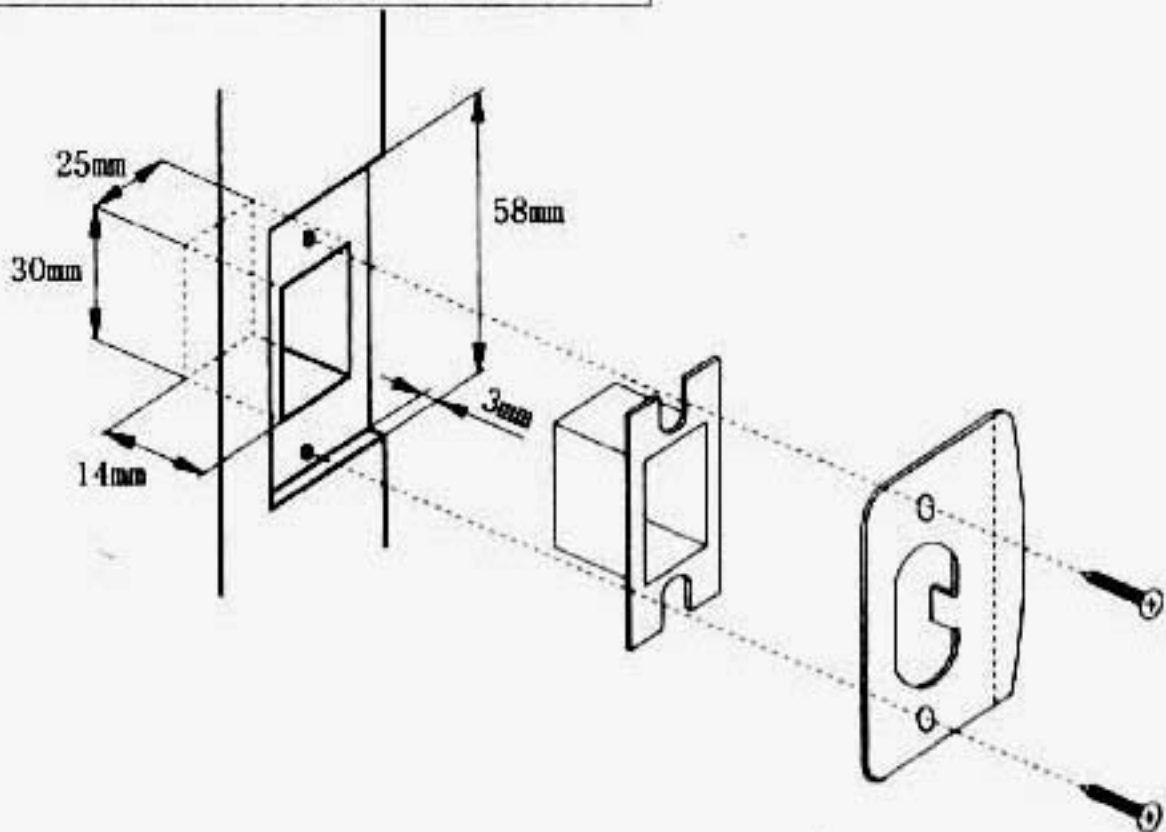


4. Bore Holes And Install

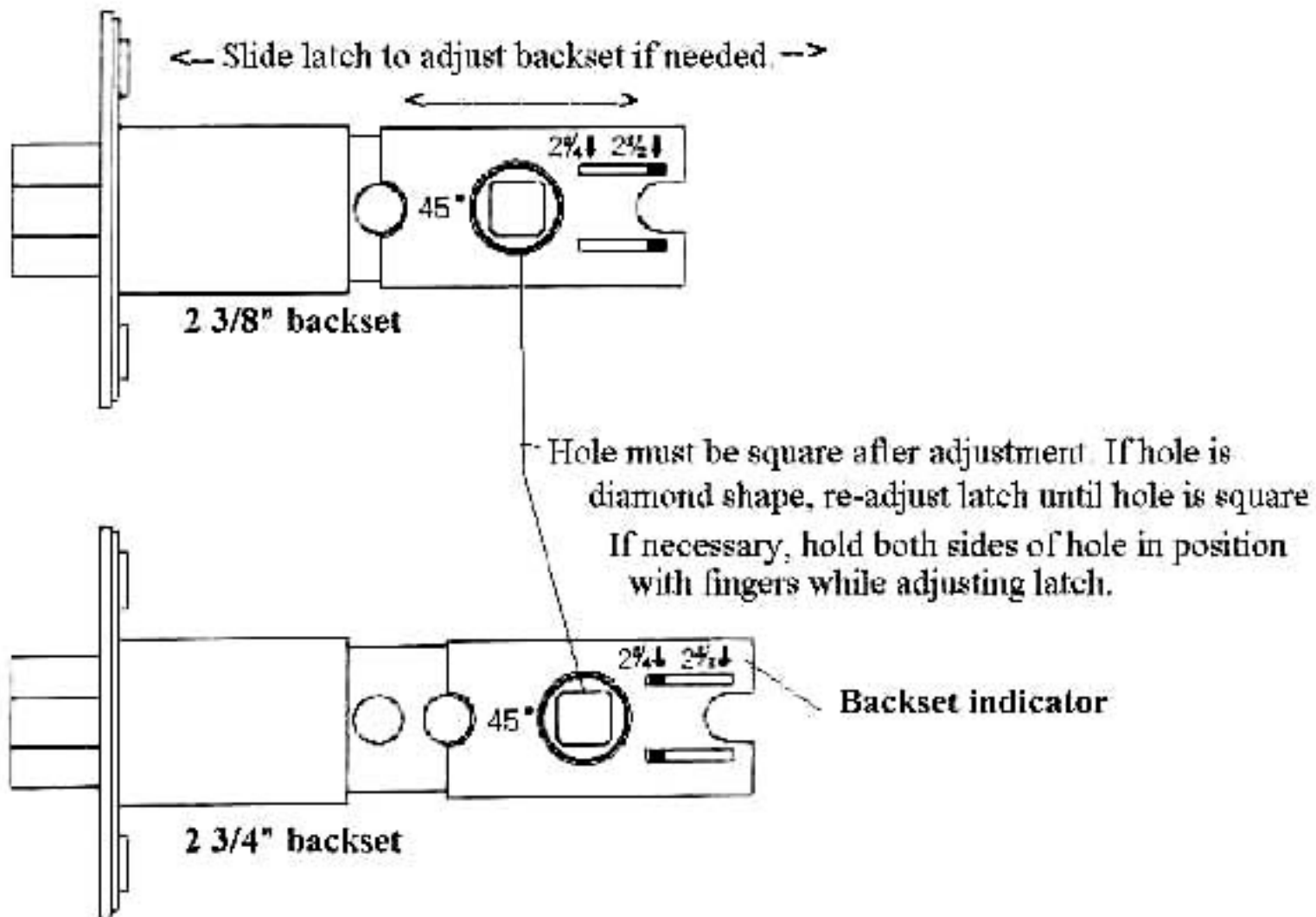
Bore Holes On The Door



Bore Holes On The Strikeplate And Install



- LATCH ADJUSTMENT -



Instruction For Install Digital Door Lock

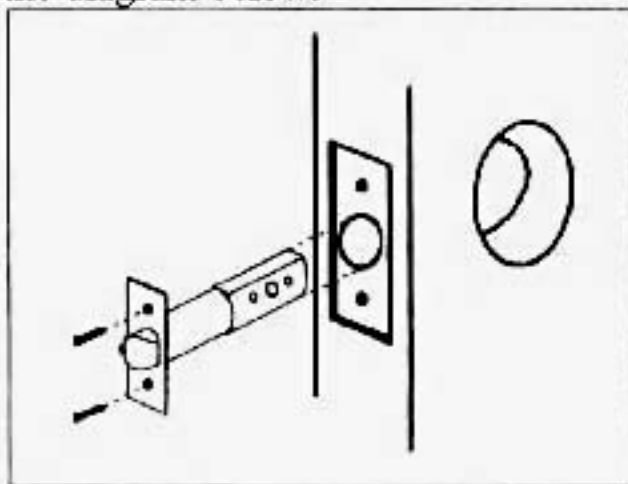
1. Trouble Shooting

Are the installed batteries Alkaline type & are they tested for charge? Are all wire connectors plugged in? Do any wires appear damaged?

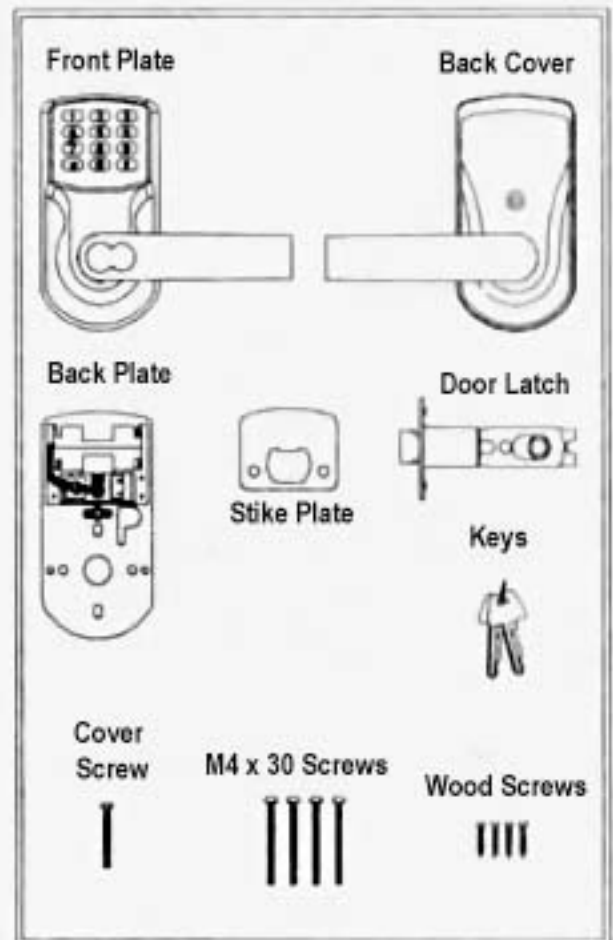
For technical support or replacement parts, call 805-579-9292 (10am-6pm PT M-F)
Web Site: www.anacondatools.com

2. Install The Door Latch

Refer to latch diagram (on last page) for the latch adjustment instructions. Install as shown in the diagram below.

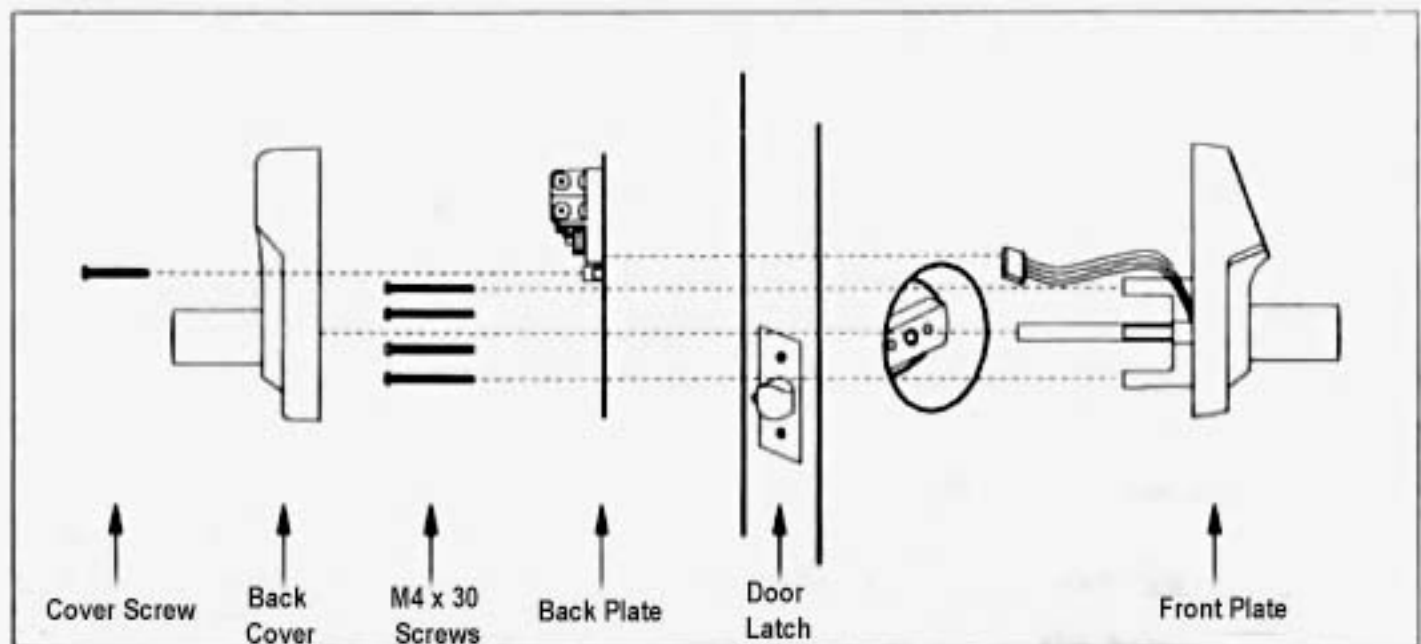


Parts



3. Install The Lock Plate

Insert the parts behind the front plate into the hole on the deadbolt. Slide wire ribbon over the top of latch mechanism and then insert into connector on the back plate. Align the four mounting holes on the back plate with the four screw holes on the front plate, insert four M4x30 screws and fasten. Finally, install the back cover, insert one M5x20 screw and fasten.



Step 4 How to open and close the door by using the emergency override key?

1. Attract the key cover with the magnet on the key. Insert key into key hole.
2. Turn the key fully clockwise (1/4 turn). Turn door handle and open the door.
3. Remove the key and replace the magnetic cover.

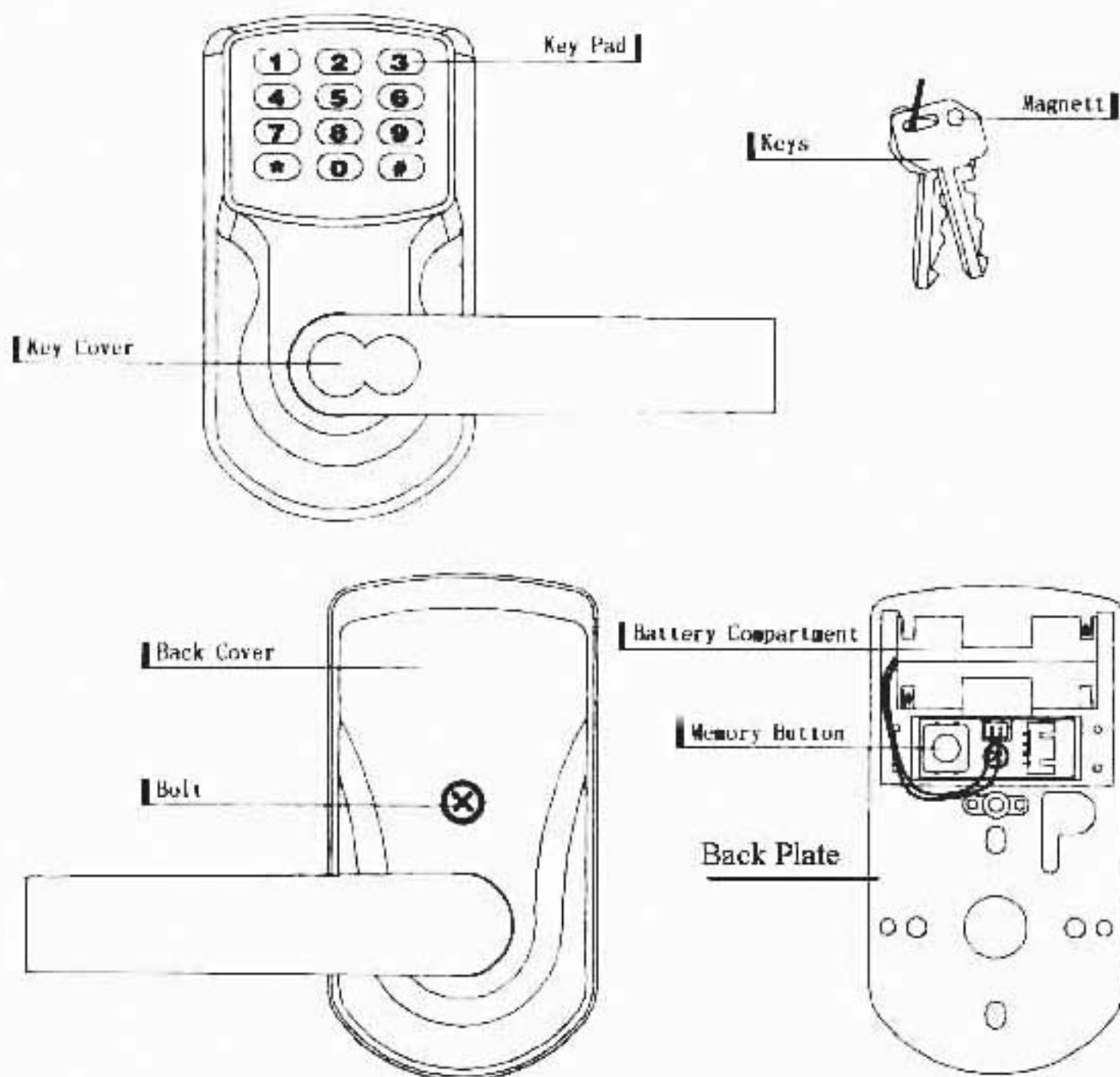
Step 5 How to change and install new batteries?

Power supply: 4 "AAA" Batteries (4x1.5v). Use only alkaline batteries.

The batteries are installed in the battery compartment which is under the back cover.

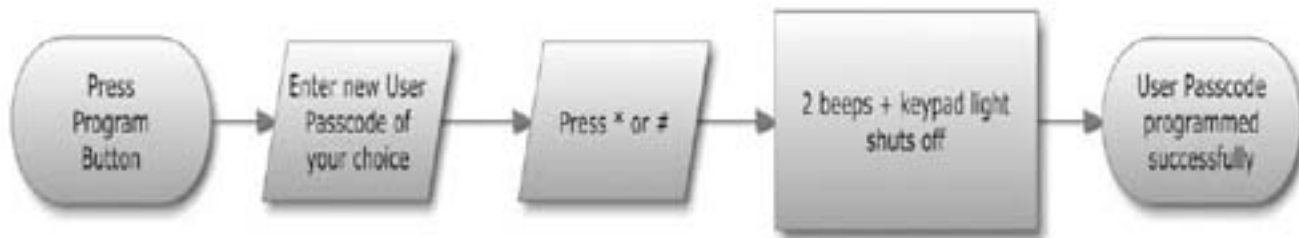
Low battery power is indicated after entering passcode during unlock procedure. To indicate low battery power, the lock will give 3 sets of short beeps as follows:

Beep Beep - Beep Beep - Beep Beep Install a new set of alkaline batteries at your earliest convenience. The lock will still function safely for several operations.

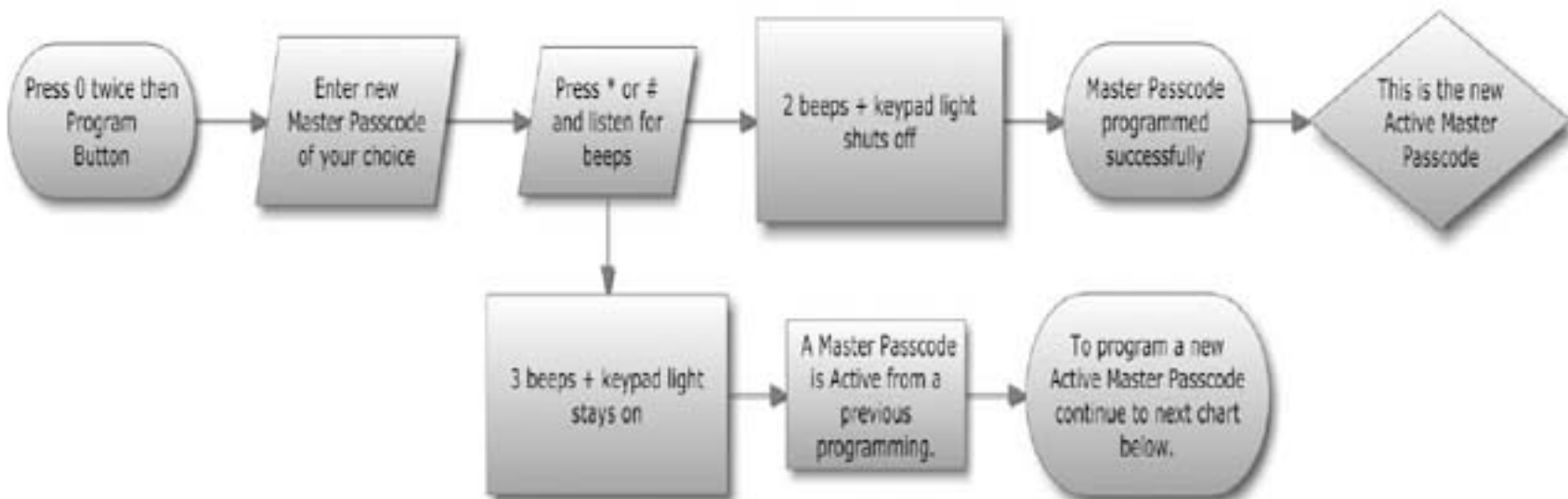


Keyless Door Lock Set - Passcode Programming

Program the User Passcode



Program the Master Passcode for the first time



Program a different Master Passcode

