

# **C** **ODE-A-KEY**<sup>®</sup> **Keyless Entry System**

Type II Version with  
**QuickCode**<sup>™</sup>  
ReCoding



## **Mechanical Keyless Deadbolt**

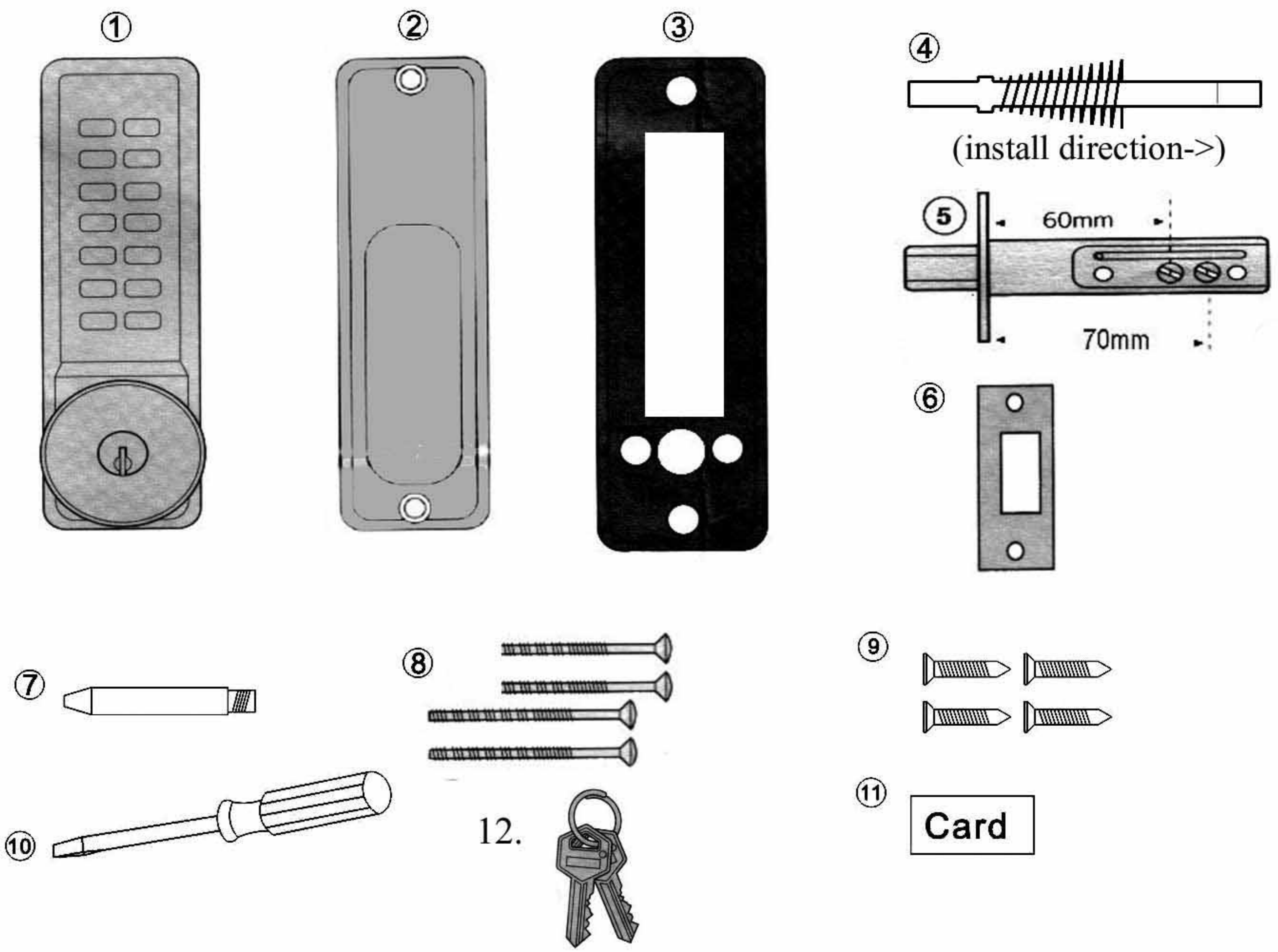
**Model# 11-0409(v2)**

**11-2409(v2)**

**11-3409(v2)**

# **Installation Instructions** **User Manual**

# Parts of door lock:



## Parts List

- 1. Keypad
- 2. Lever Handle
- 3. Door Seal (2)
- 4. Spindle w/Spring
- 5. Deadbolt Latch
- 6. Strike Plate
- 7. Latch Support Post
- 8. Main Screws (4)  
(2 short & 2 long)

- 9. Wood Screws (4)
- 10. Screwdriver
- 11. Factory Set Code
- 12. Bypass Keys (2)

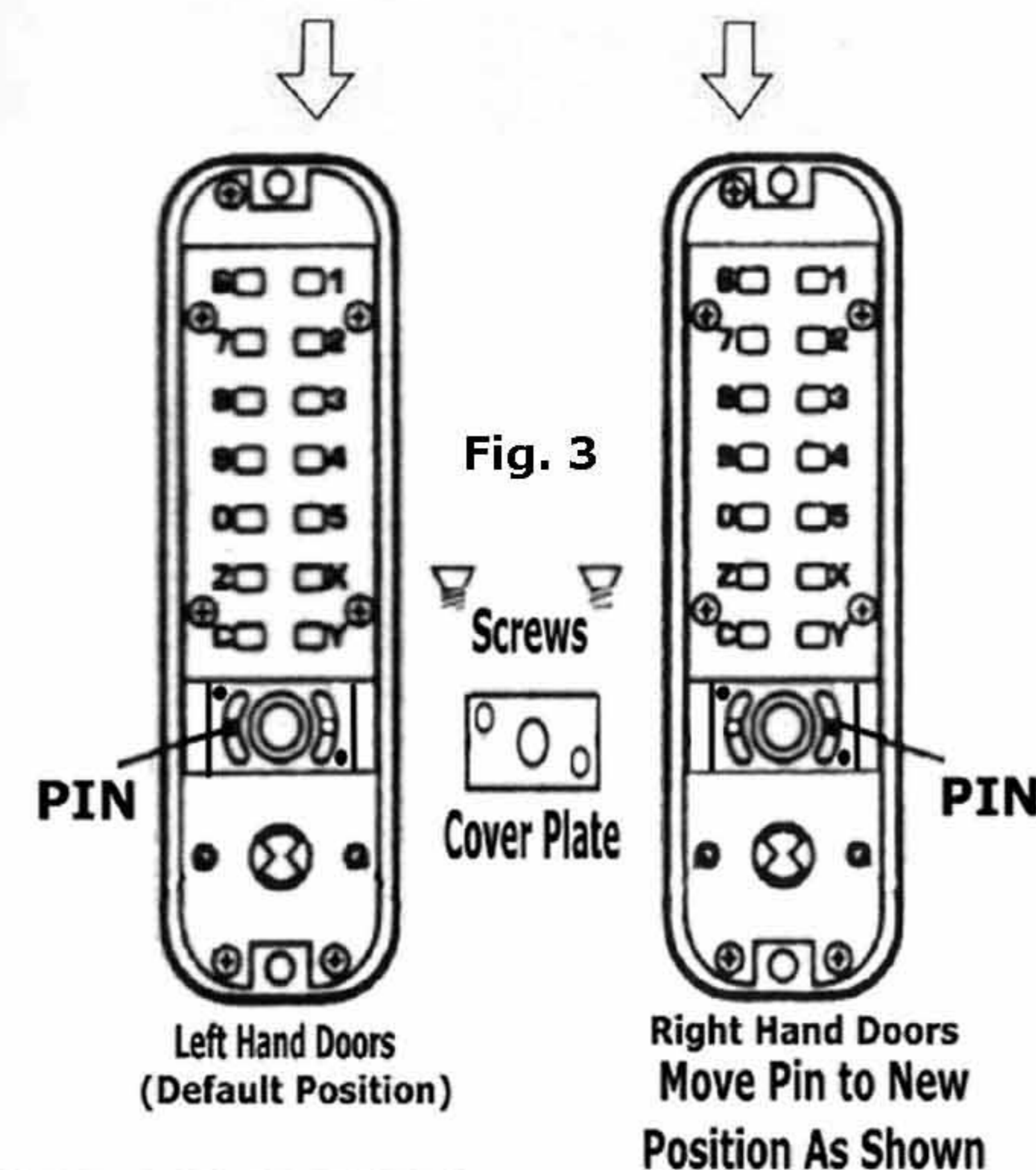
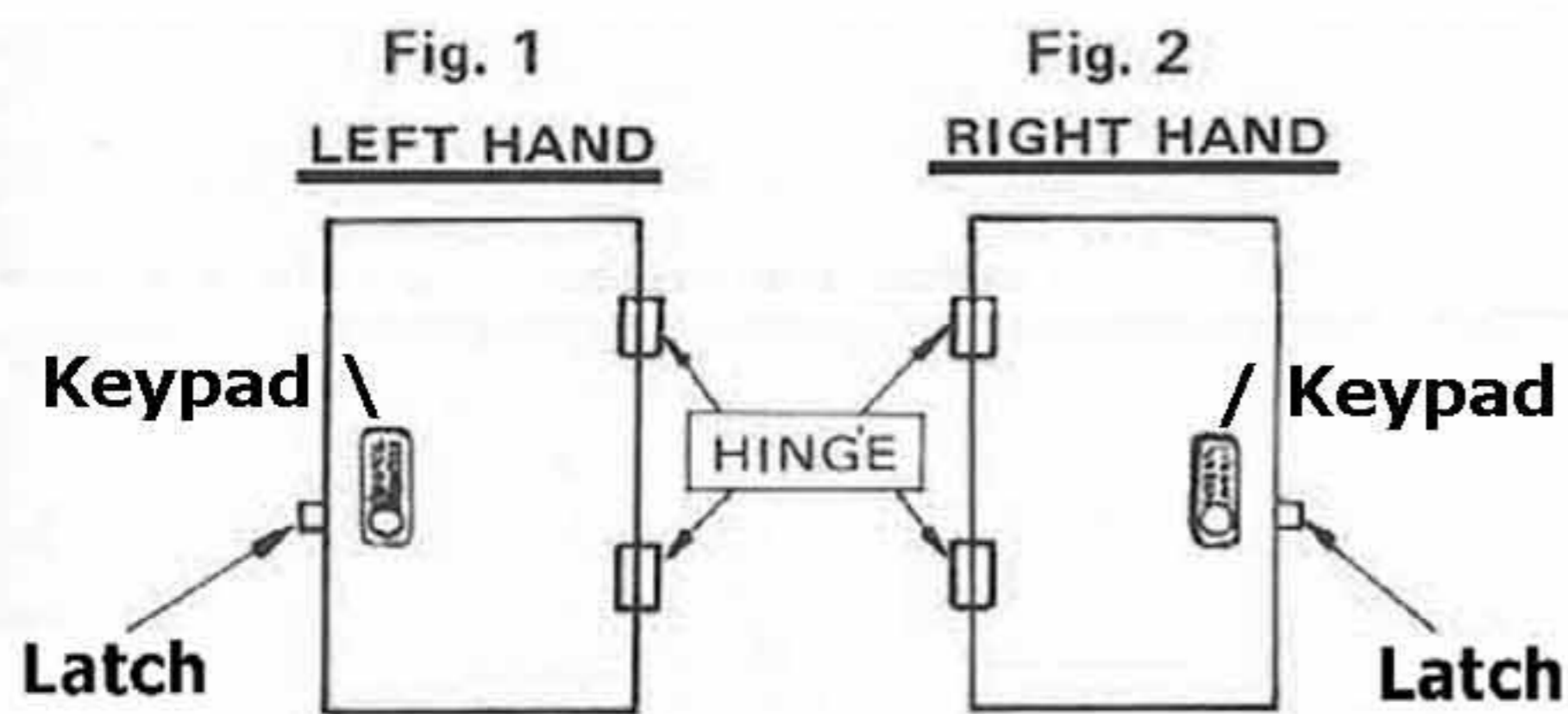
## Recommended Tools

- 1. Electric drill
- 2. 8mm drill bit
- 3. #2 Philips Screwdriver
- 4. Needlenose Pliers
- 5. Standard Pliers
- 6. Tape Measure
- 7. Masking Tape

# Installation

- (1) Establish the "hand" of the door -  
 Standing outside, if the keypad is on the left, you have a left hand door. (fig.1)  
 Lock is preset for left hand doors. If your door is left hand, skip to Step 2.

If your door is right hand (Fig.2), carefully remove the 2 screws and the small cover plate from the back of the keypad as shown in Fig. 3 below.



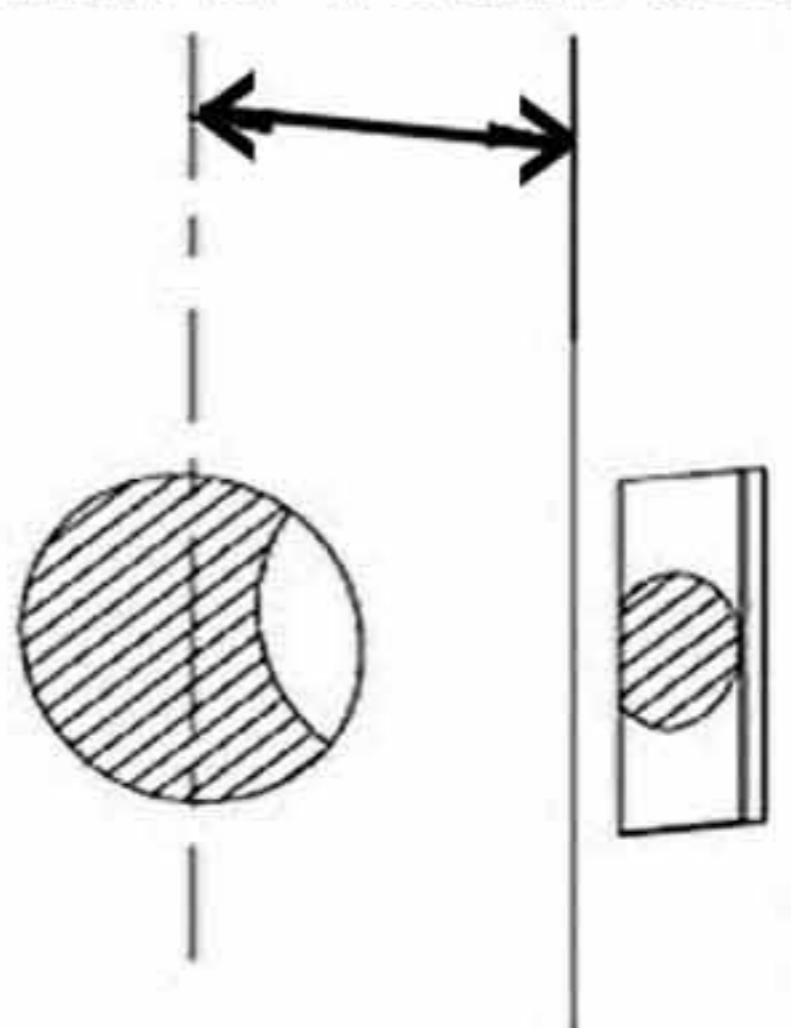
### (STEP 1 CONTINUED)

After removal of cover plate, use needle nose pliers to remove the pin from the hole on the left. Replace the pin into the hole on the right as shown above. Replace the cover plate and screws.  
 Never remove any of the other screws on the back of the keypad as doing so will void the warranty.

- (2) Measure backset distance.

Using tape measure, determine the backset distance by measuring from center of handle opening to the edge of the door.

### 60mm or 70mm backset



If your backset is 70mm skip to step 4.

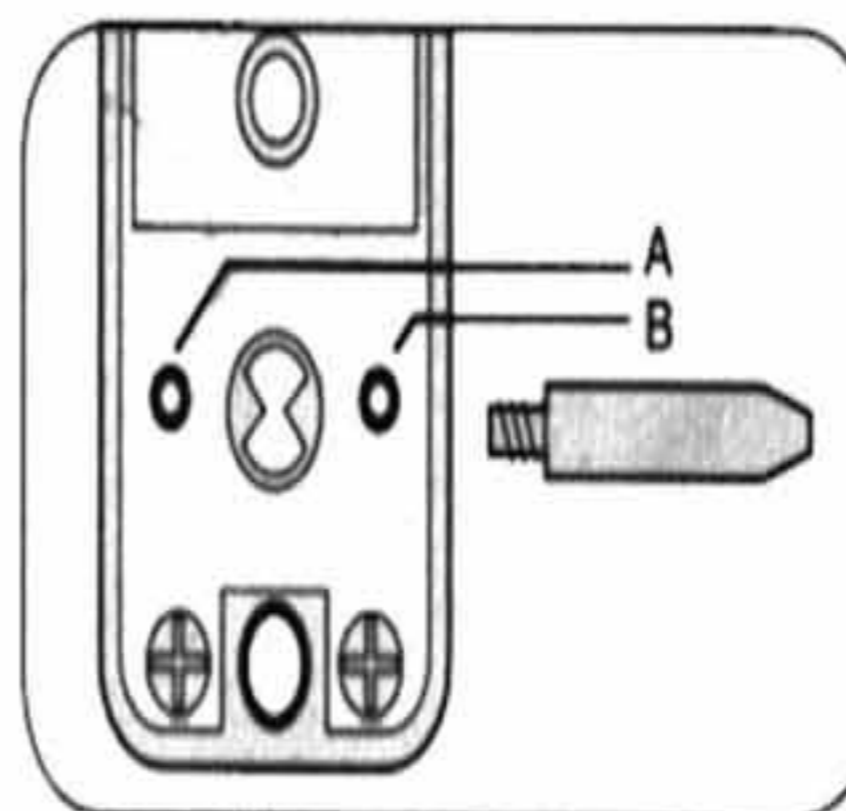
- (3) LATCH SUPPORT POST

If your backset is 60mm, install support post to back of keypad as shown below.

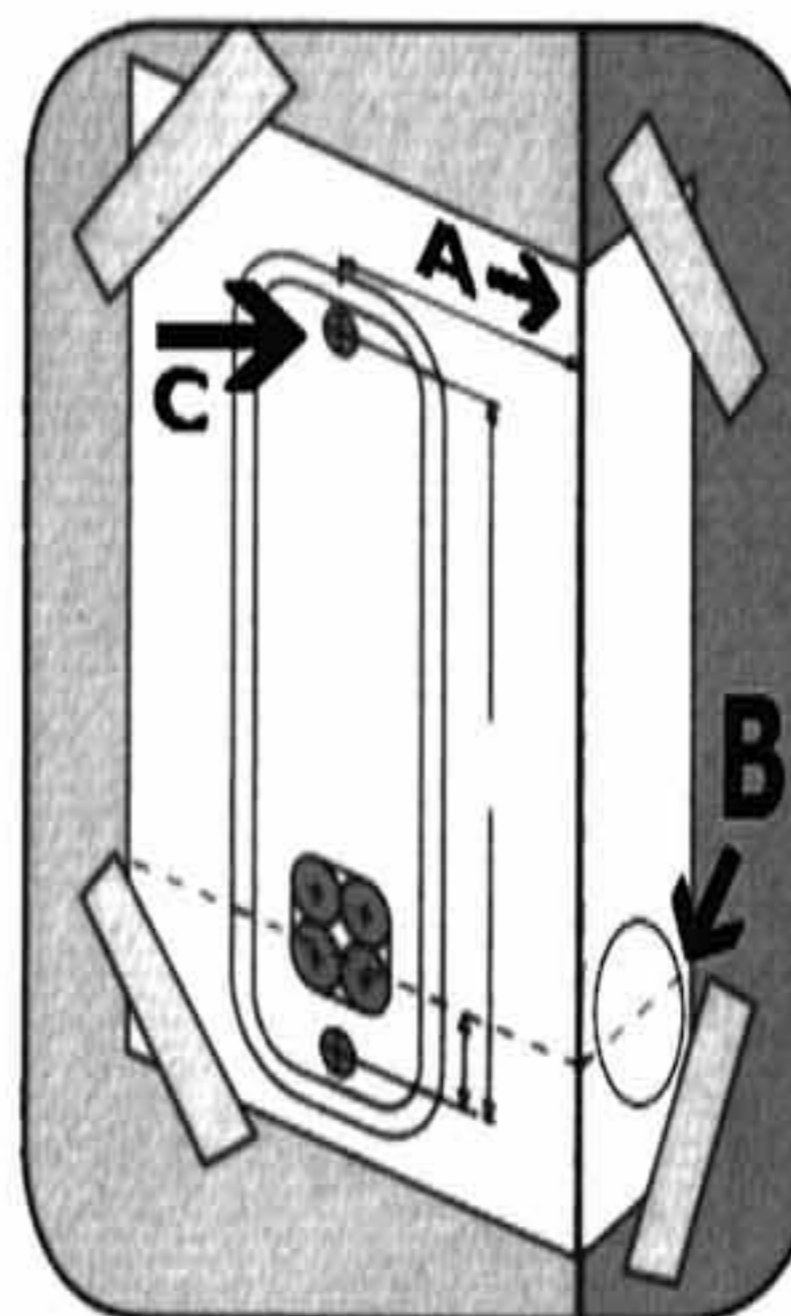
Attach post to back of lock.

Hole A - Right hand doors

Hole B - Left hand doors



- (4) Position Door Template and Drill Mounting Post Hole.



A) Fold template along backset line (60 or 70mm) and place on edge of door.

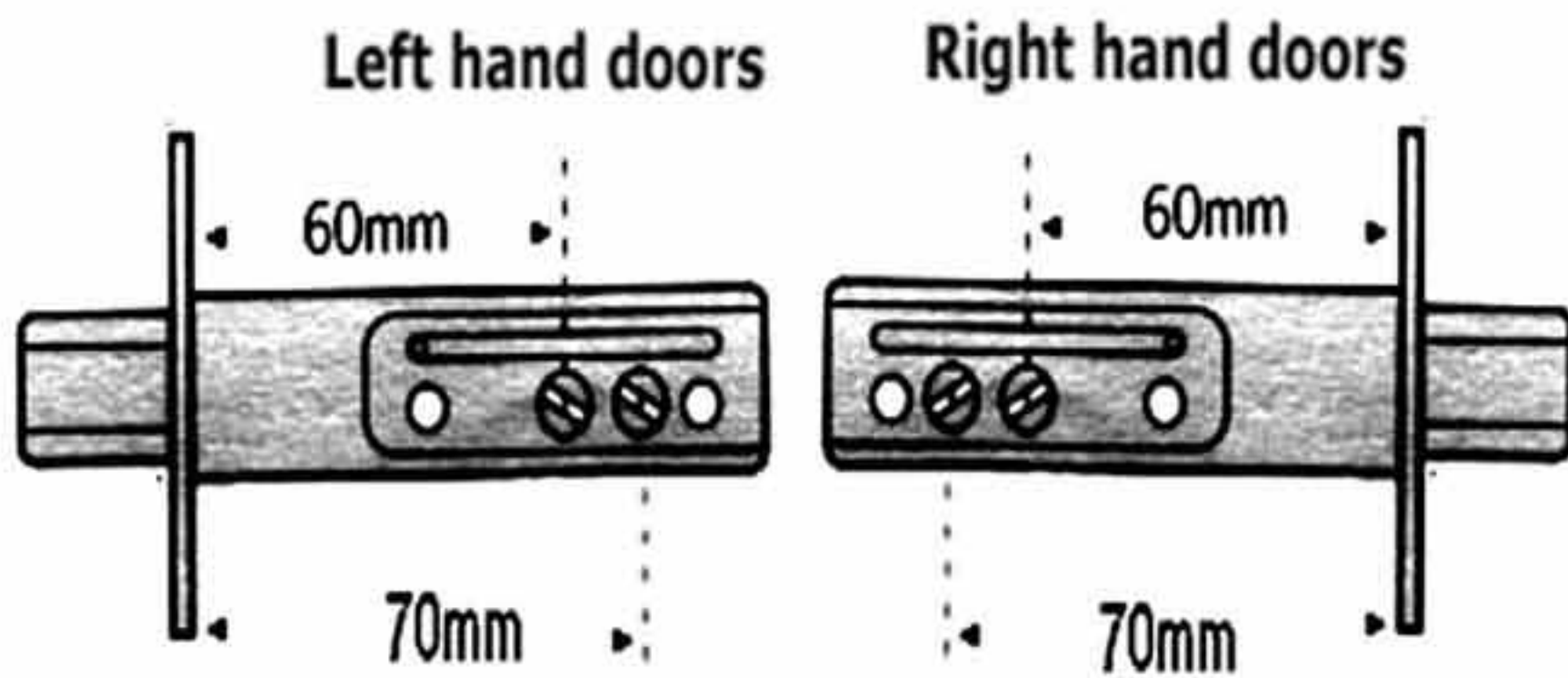
B) Carefully position the line marked Latch Centerline over center of latch opening at B and tape template to door with masking tape.

C) Drill the single 8mm hole through the door at position C. Be sure to drill the hole straight and level. Only the top hole needs to be drilled if door is precut.

## Installation Continued

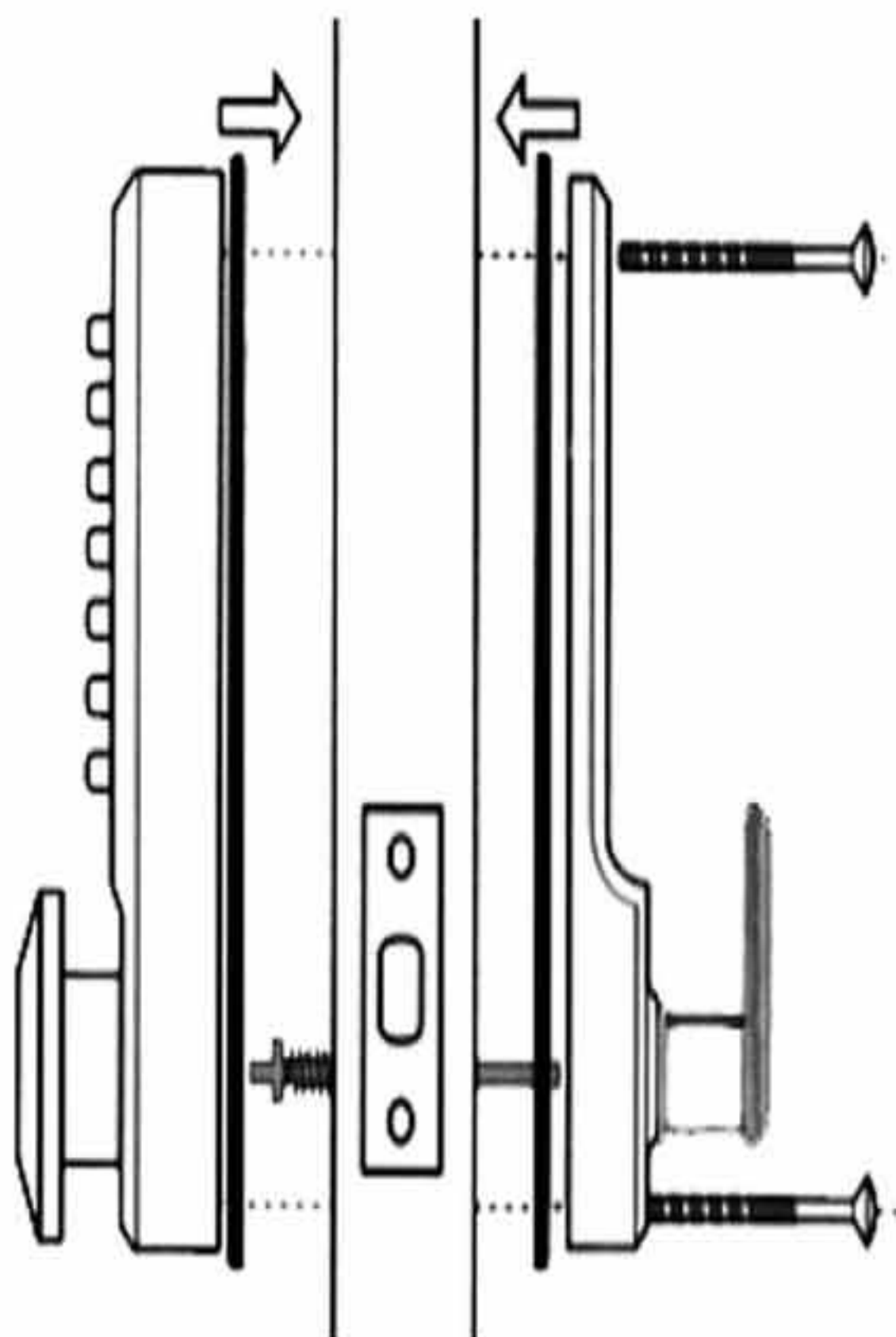
### 5. Install Deadbolt Latch

Insert the deadbolt latch into the opening in the edge of the door but do not tighten the screws. Stand on the keypad side of the door and insert the spindle (spring end first) into the opening in the latch which matches your backset as shown below.



### 6. Mount Lock to Door

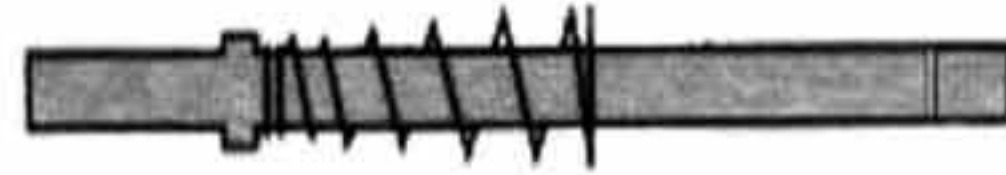
Refer to the image below to mount the lock to the door. Fit the neoprene seal to the back of the keypad. Align spindle with the opening in the back of the handle while pressing keypad onto door. Hold the keypad in position while fitting the interior handle and seal onto the door in the same way.



continued-->

### (Step 6 Continued)

**Note:** If length of spindle prevent joining the lock together, shorten the spindle by snapping off the tip. Use two sets of pliers on either side of the pre-cut groove to break off the tip.



Start the screw in the bottom hole first then start the top screw. Tighten each screw a bit at a time until both are snug. Do not over tighten the screws. Lastly, install the screws in the face-plate of the deadbolt.

### 7. Mount Strike Plate

Mount the strike plate to receive the bolt. Ensure the bolt can slide freely inside the opening when the door is closed. Test the operation of the bolt from the interior side to avoid accidental lockout.

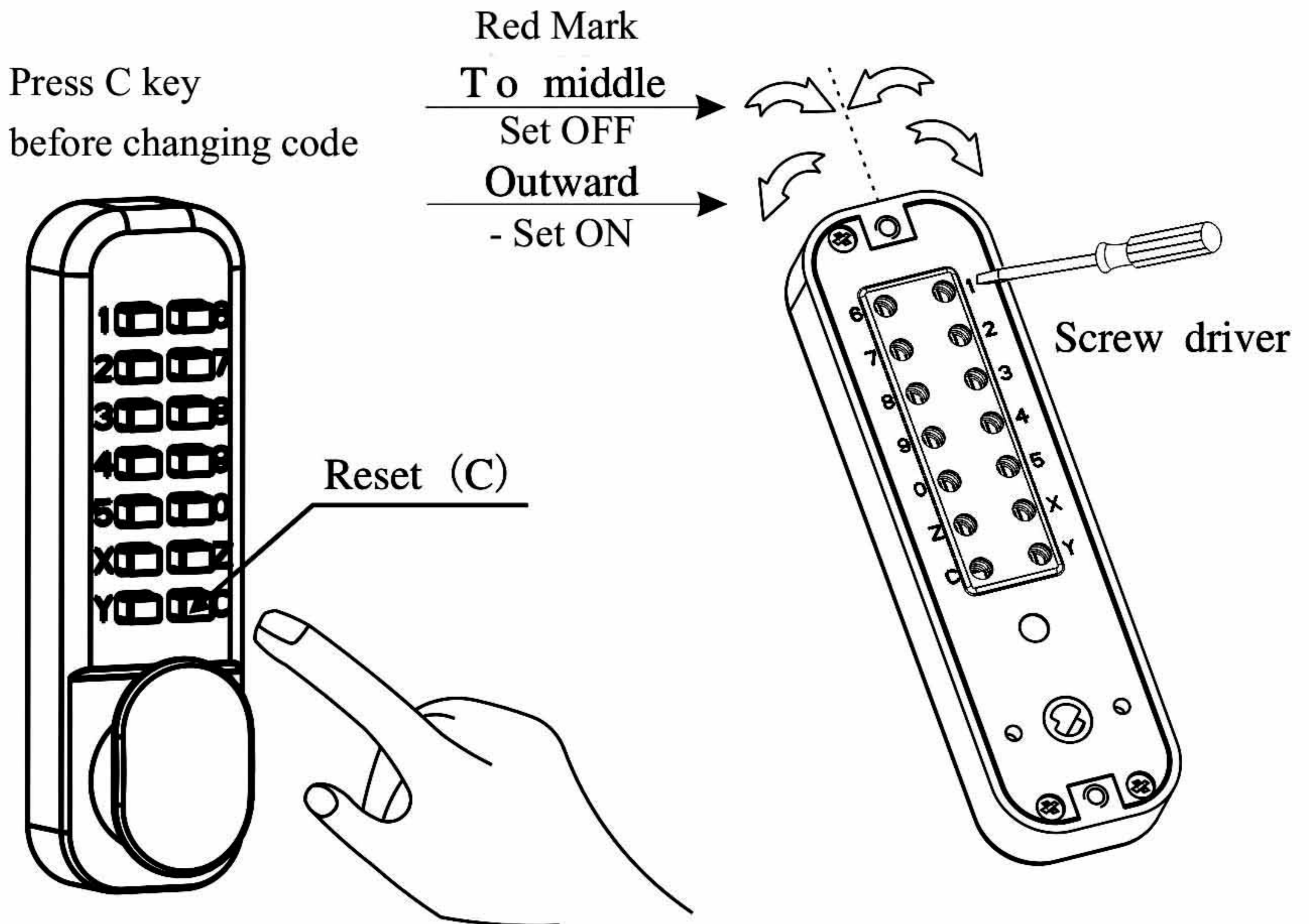
### 8. Test Code and Bypass Keys

With the door open, turn the front handle to extend the deadbolt. Enter the preset unlock code shown on the card included with the lock. Turn the handle back in the opposite direction. The bolt should retract into the door. Repeat this procedure several times to ensure proper operation of the keypad. Test the bypass keys in the same way to make sure they properly unlock the door. Close the door only when you are certain the lock is functioning correctly. Keep at least one bypass key in an accessible location at all times.

To change the unlock code, see next page-->

# Type II Version with QuickCode™ ReCoding

Programming is fast and easy with Type II generation keyless design. Each key of the keypad has a corresponding hole on the back. Inside each hole is a rotating tumbler with red mark. Use the included screwdriver to turn the red mark outward (ON) for each key of the desired unlock code.



Turn the red mark inward for all non-code keys.

Turning all tumblers inward will set the lock to open passage mode.

In open passage mode the handle is always unlocked.

**Illustration shows example of lock set to code 1267Y.**

**Important:**

- Do not press any keys while changing the code.
- The password can have up to 7 digits maximum.
- A code with 5-6 digits is recommended.
- Code may be entered in any sequence, the order of entry is not important.
- Do not remove the screws from the back cover as this will void the warranty.
- Test the code before reinstalling the lock onto the door.

Warrantied for 1-year from date of purchase to the original purchaser only. Original sales receipt or proof of purchase required for warranty claim.

For installation assistance or warranty service please call 1-855-288-6657 (weekdays 9am-5pm pst).

GINO DEVELOPMENT INC.  
SIMI VALLEY, CA

WWW.GINODEVELOPMENT.COM

