

C **CODE-A-KEY**®

Keyless Entry System

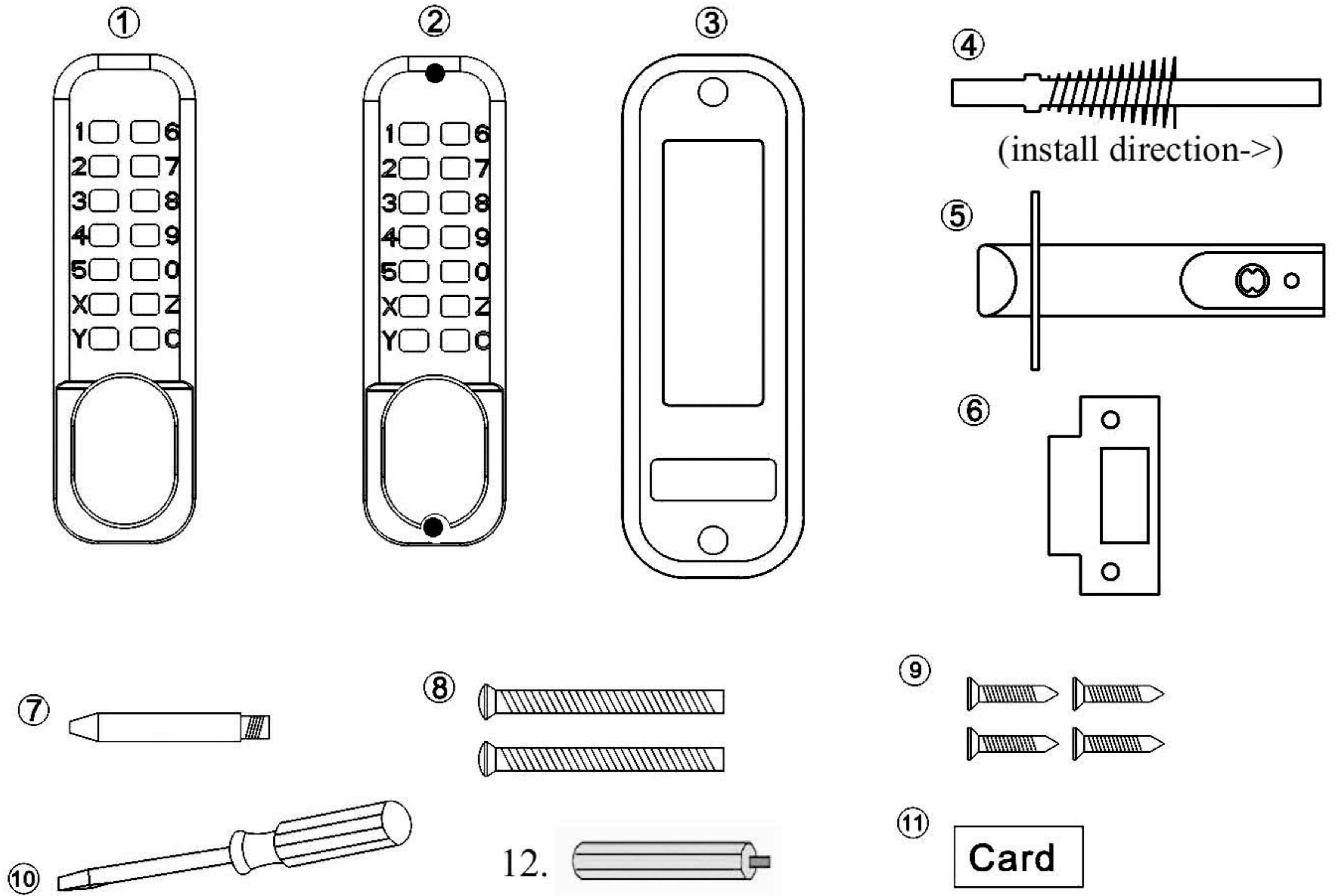
Type II Version with
QuickCode™
ReCoding



**Model #11-1104,
11-1105, 11-1106**

**Installation Instructions
User Manual**

Parts of door lock:



Parts List

- | | |
|---|---------------------------|
| 1. Keypad (Primary) | 6. Strike Plate (1) |
| 2. Keypad (Secondary) | 7. Latch Support Post (1) |
| 3. Door Seal (2) | 8. Mounting Screws (2) |
| 4. Spindle w/Spring (1) | 9. Wood Screws (4) |
| 5. Door Latch - 60mm (1)
(70mm Latch optional) | 10. Screw Driver |
| | 11. Factory Set Code |
| | 12. Mounting Post* (2) |

*Pre-assembled on part 1

Installation : Diagrams/Notes

Installation Notes: Instructions apply to a predrilled door with standard size openings.

- a) It may be necessary to shorten part #4 and #8 if installation can not proceed due to insufficient door thickness.
- b) Primary keypad is used during installation as the reference and point of view as in Fig.1, 6, 7

Left & Right Hung Doors
(Primary Keypad Side Of Door)

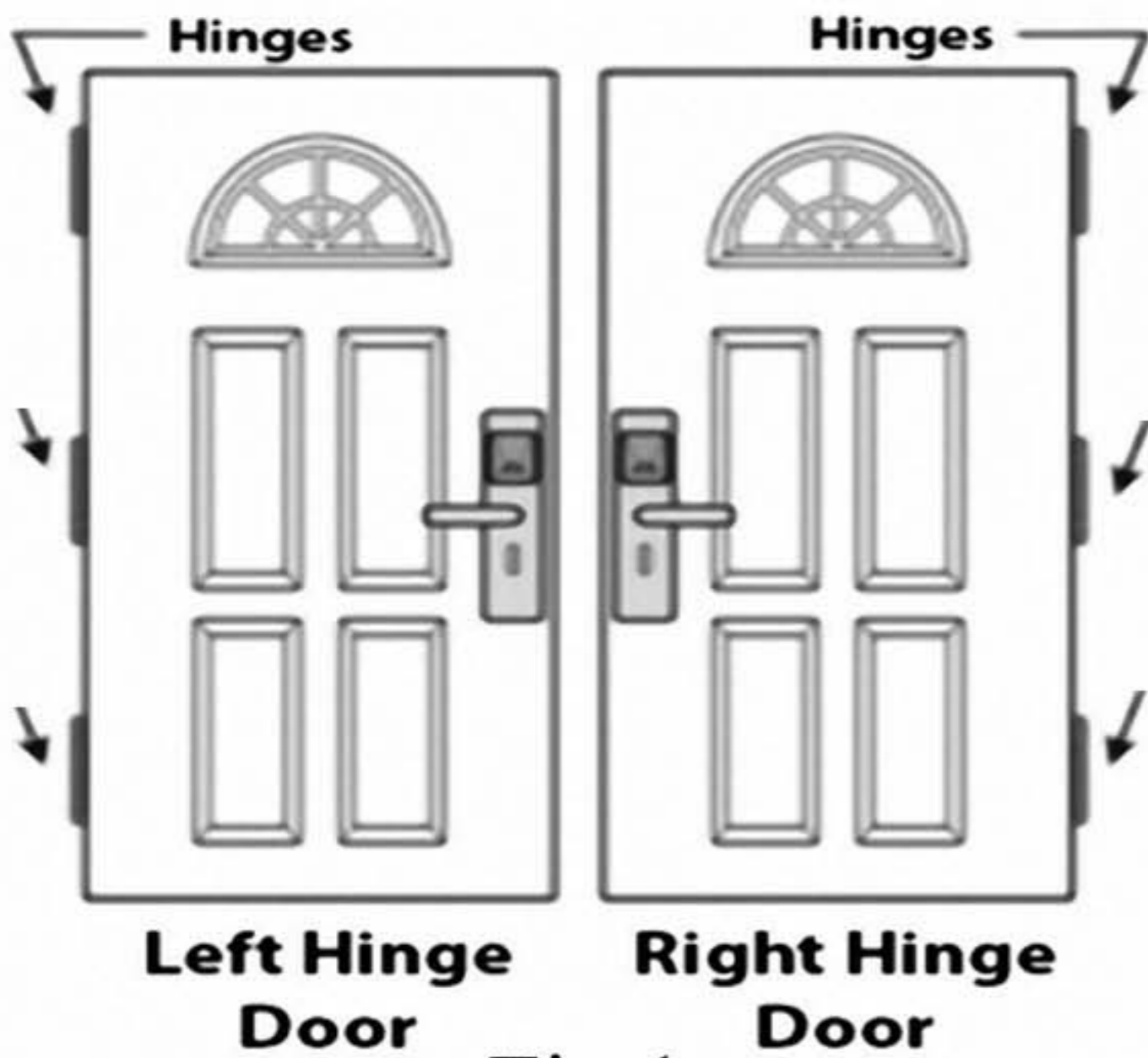


Fig.1

Latch Length
60mm or 70mm backset

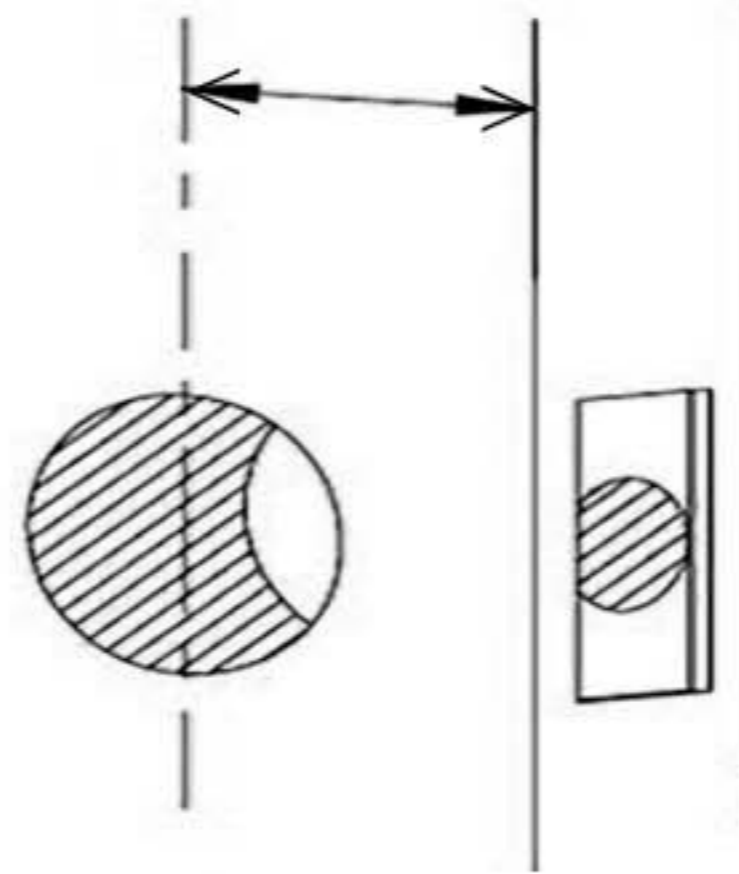


Fig.2

Strike Plate



Fig.3

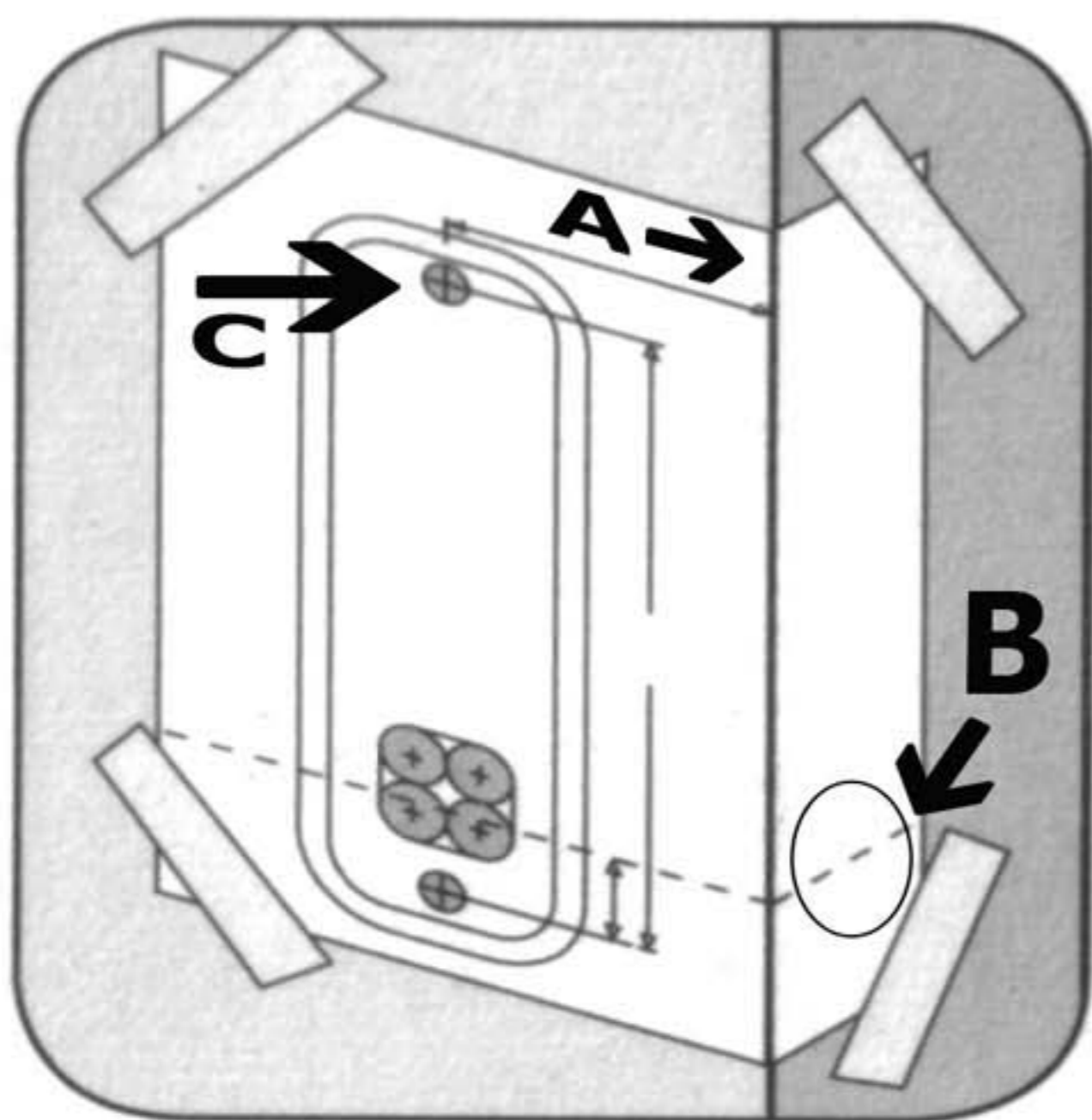
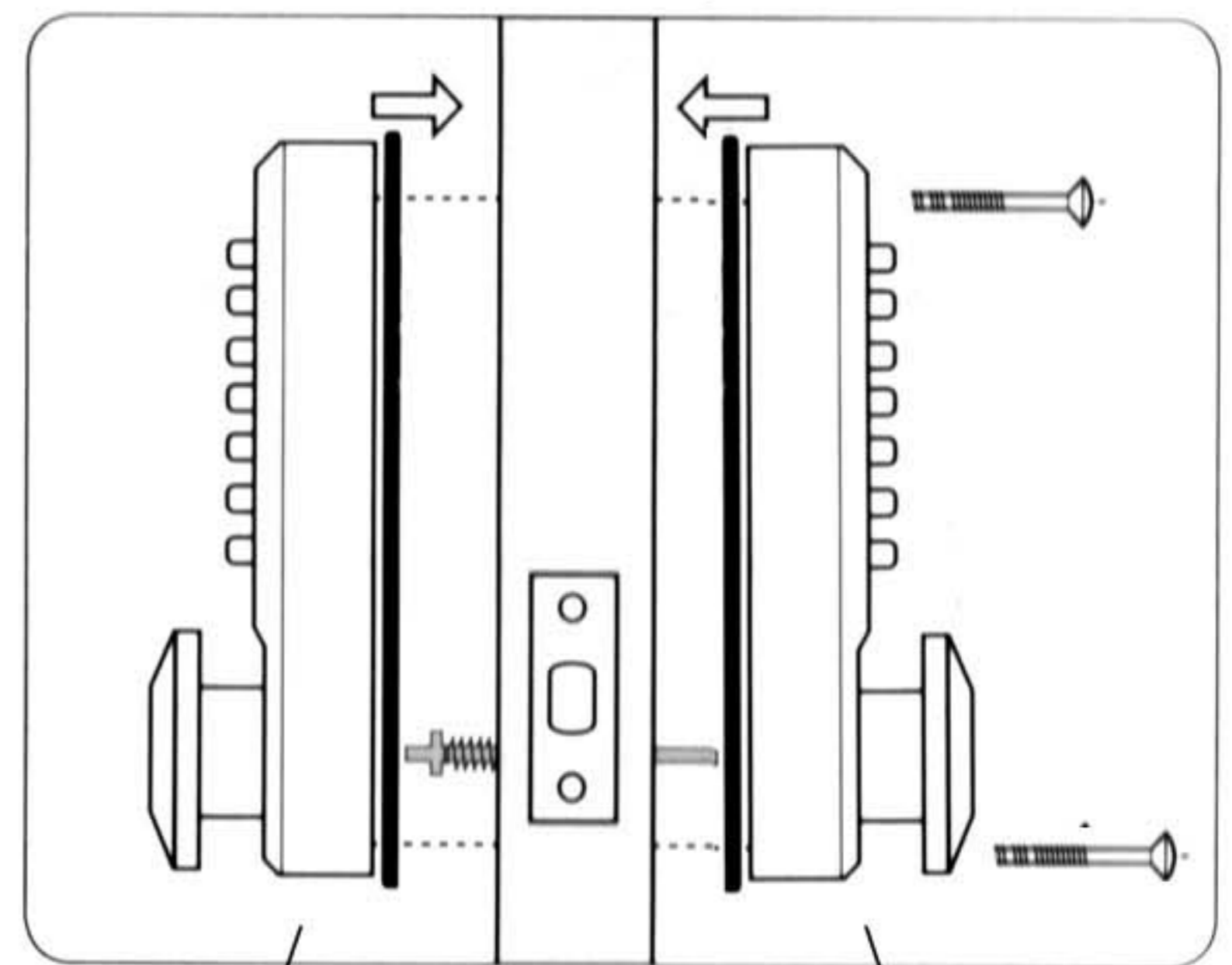


Fig.4

- A=Backset Fold Line
- B=Latch Centerline
- C=Drill 10mm Hole

Assembly



Primary Keypad

Secondary Keypad

Fig.5

Installation : Instructions

1. Determine 60mm or 70mm backset for your door(Fig.2)
2. Fold template along backset line for your door (60mm or 70mm) (Fig.4-A)
3. Position template as shown in Fig.4. Align positions A & B carefully.(Fig.4-A,B)
4. Tape template in position and drill the single hole marked at C. (Fig.4-C)
5. Insert appropriate (60/70mm) Door Latch(part#5) into opening in edge of door with angle side of plunger positioned to contact the strike plate(part#6) when closing.
6. Secure the latch to the door with 2 wood screws(part#9).
7. Use Fig.1 to determine your door type (Left or Right Hung).
8. Install latch support post(part#7) to the Primary Keypad as shown in Fig.6.
9. Insert the spindle(part#4) into the latch and ensure position is correct for your door type as shown in Fig.7. Keep spindle in this position.
10. Assemble Door Seals(part#5) to both keypads and mount the assembly to the door as shown in Fig.5. Ensure spindle does not change position.
11. Tighten mounting screws(part#8). Test operation before closing door.

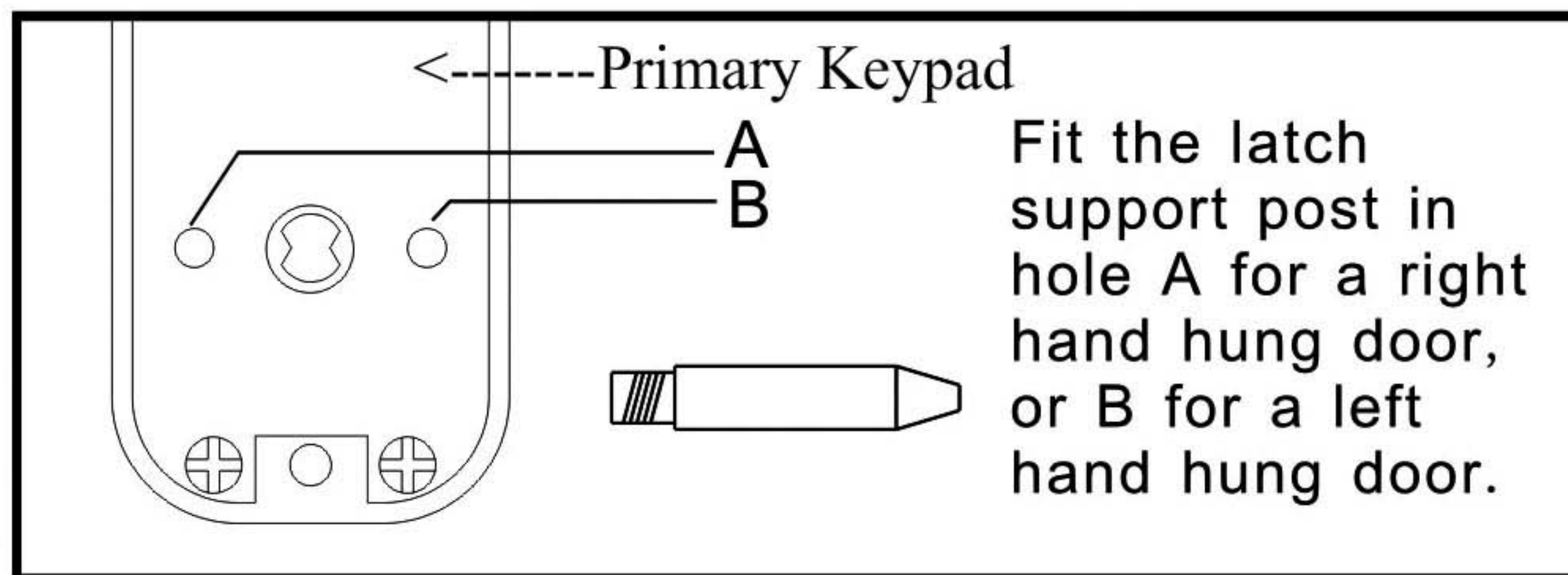


Fig.6

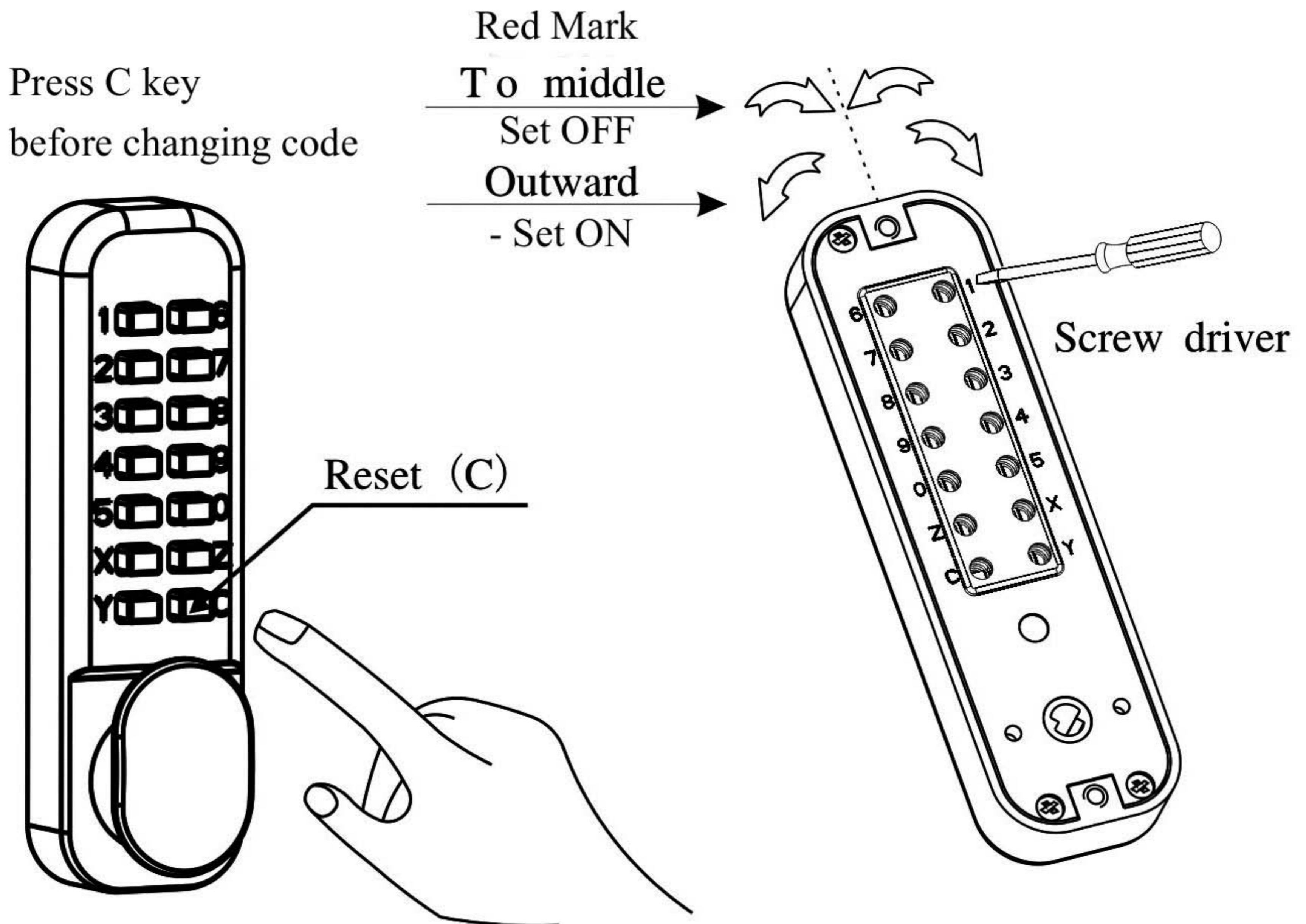


Fig.7

Install spindle as shown in Fig.7 from the Primary Keypad Side of Door ONLY

Type II Version with QuickCode™ ReCoding

Programming is fast and easy with Type II generation keyless design. Each key of the keypad has a corresponding hole on the back. Inside each hole is a rotating tumbler with red mark. Use the included screwdriver to turn the red mark outward (ON) for each key of the desired unlock code.



Turn the red mark inward for all non-code keys.

Turning all tumblers inward will set the lock to open passage mode.

In open passage mode the handle is always unlocked.

Modify password:

Please refer to Fig.8 for example of the lock set to the code 1267Y.

Important:

- Do not press any keys while changing the code.
- The password can have up to 7 digits maximum.
- A code with 5-6 digits is recommended.
- Code may be entered in any sequence, the order of entry is not important.
- Do not remove the screws from the back cover as this will void the warranty.
- Test the code before reinstalling the lock onto the door.
- When reinstalling the lock onto the door pay attention to the spindle position as shown in Fig.7.

Warrantied for 1-year from date of purchase to the original purchaser only. Original sales receipt or proof of purchase required for warranty claim.

For installation assistance or warranty service please call 1-855-288-6657 (weekdays 9am-5pm pst).

GINO DEVELOPMENT INC.
SIMI VALLEY, CA

WWW.GINODEVELOPMENT.COM

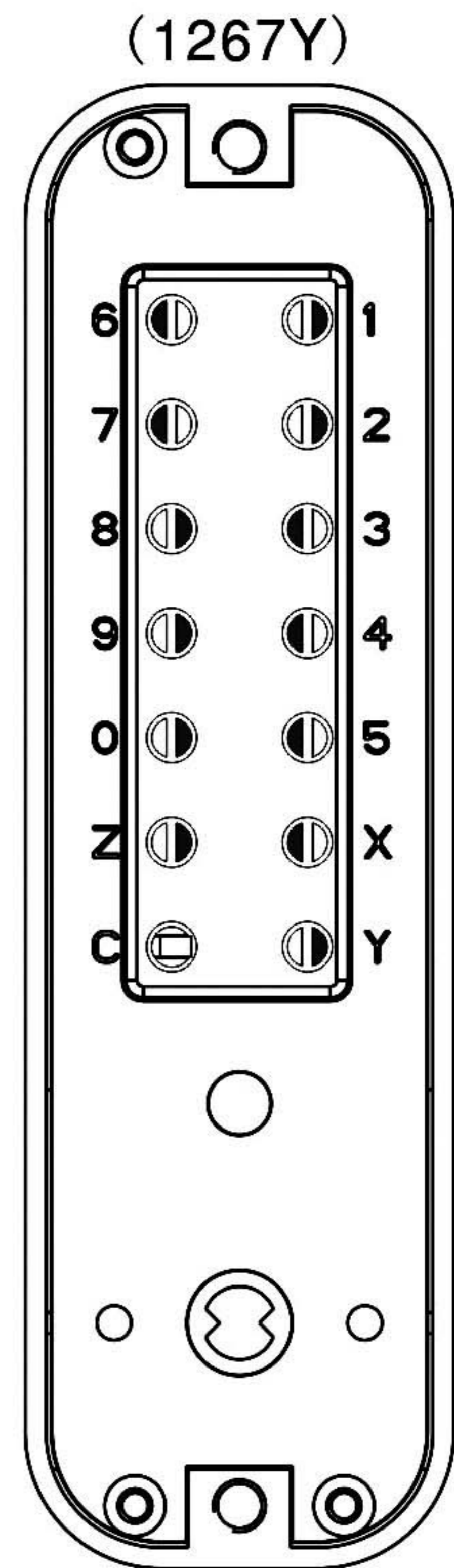


Fig.8