

座標X ZahyoX

Router Lift

Owner's Manual



Ver 2.0.1

Copyright ZahyoX Tools, LLC

All rights Reserved

1st Print, Jul 2020

We may make minor update to the product without changing the owner's manual, please check out website at www.zahyox.com if the product included a special notice for newer version of the owner's manual

Thanks for purchasing our product!

We aim to provide affordable but precision woodworking tools to every customer from ordinary DIYer to professional woodworker.

Enjoying the pure fun of creating something without the frustration of inaccuracy and inconvenience shouldn't be a luxury thing. Our company is raised by this creative and inspiring community, and we plan to do our best to give back.

Hope you enjoy our product. If you have any good product improvement ideas, we are eager to Listen.

Any questions, problems, missing parts, defects, contact us at address below

ZahyoX Tools, LLC

Address:

30 N Gould St Ste 22116

Sheridan, WY 82801

Email: alwaysanswers@zahyox.com

www.zahyox.com

Facebook: ZahyoX Tools

Instagram: Zahyox Tools

Table of contents

1. Warnings	02
2. Product Specification	04
3. Parts List	05
4. Making the Router Lift Table	06
5. Assembling the Router Lift	08
6. Installing the Router	10
7. Using the Router Lift	14
8. Installing Digital Displacement Display(not included)	16
9. Warranty	17
10. Router Table Related Accessories	18

1. Warnings

Safety

A router is a dangerous tool and there are hazards inherent with using your router. Some of these hazards are discussed below. Use common sense when operating your router and the router lift and use them only as instructed. Make sure to follow the safety rules and guidelines that are outlined in the manual of your specific router.

You are responsible for your own safety!

Warning

1. Read and understand **this manual and all safety warnings** before operating your router and router lift. Failure to comply with these warnings may result in serious personal injury. Save these instructions for future reference.
2. Read and understand **the instruction manual and all safety warnings of your router** before using it with the router lift.
3. **WARNING:** This product contains one or more chemicals known to the State of California to cause cancer and birth defects or other reproductive harm. In addition, some types of dust created by sawing, power sanding, grinding, drilling, and other construction activities also contain chemicals known to cause cancer, birth defects or other reproductive harm. Some examples of these chemicals are lead from leadbased paints, crystalline silica from bricks, cement, and other masonry products, and arsenic and chromium from chemically treated lumber. In addition, wood dust has been listed as a known human carcinogen by the U.S. government. The risk from exposure to these chemicals and to dust varies depending on how often you do this type of work. To reduce your exposure, work in a well ventilated area and work with approved safety equipment including dust masks or respirators designed to filter out such dust and chemicals.
4. Keep guards in place and in working order.
5. For your own safety, read instruction manual before operating shaper.
6. Do not expose the router and router lift to rain or use in damp locations.
7. Do not operate the router and router lift without all guards and covers properly installed.
8. Do not use awkward hand positions.

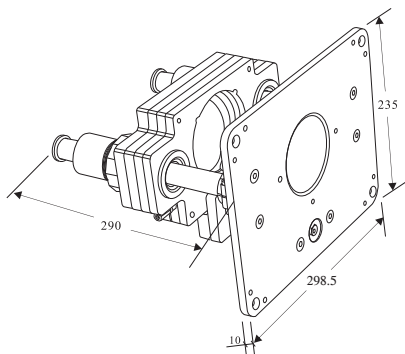
9. Do not operate your router, the router lift, or any other tools under the influence of alcohol or drugs.
10. Wear proper apparel when using the router lift. Do not wear loose clothing, gloves, neckties, rings, bracelets, or other jewelry which may get caught in moving parts. Non-slip footwear is recommended. Wear a protective hair covering to contain long hair.
11. Always wear approved safety glasses and/or a face shield when using the router lift. Also use a face or dust mask if the cutting operation is dusty. Everyday eyeglasses are not safety glasses.
12. Keep hands away from router bits and use fixture when necessary. Never reach around or over the router. Use feather boards and/or push sticks to keep your hands away from the router bit. Keep proper footing and balance at all times.
13. Always run your workpiece against the rotation direction of the router bit. Never cut pieces between the fence and the router bit.
14. Always ensure the router bit is in good working condition before use. Examine the router bit prior to use and replace the bit if it is damaged.
15. Maintain the Router Lift and Downdraft Dust Collection Box as specified in this manual. Use only identical replacement parts when servicing the Router Lift or Downdraft Dust Collection Box.
16. Turn the power disconnect switch to OFF and unplug your router before servicing, making any adjustments, or cleaning the router lift. Always ensure the router is unplugged before changing components or accessories such as router bits, guards, and the like.

2. Product Specification

Router lift

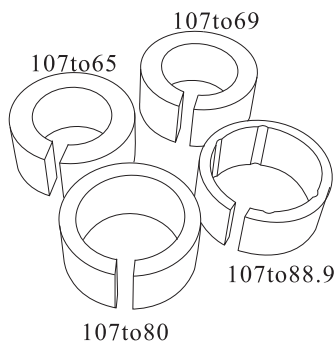
Unit: mm

Max Lift Distance	100
Router Lift Total Height	290
Router Lift Plate Thickness	10
Router Lift Plate Width	298.5
Router Lift Plate Length	235
Router Mounting Hole Diameter	107



Compatible routers with reducer collar

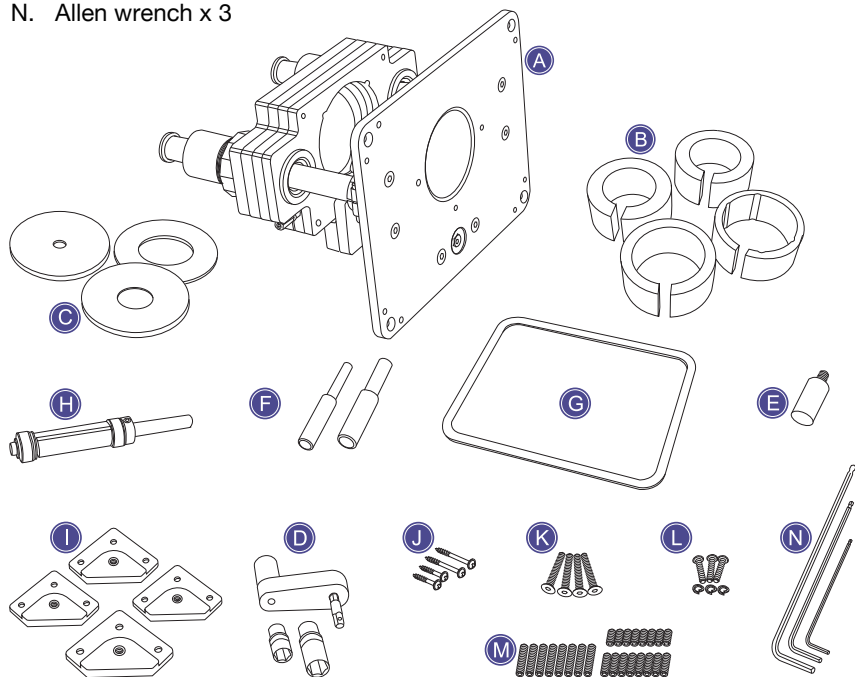
Collar size	Compatible routers
107mm(with no collar)	Porter Cable 7518/7519
107 to 89.5mm collar	Porter Cable 690/890, Bosch 1617, Dewalt 618
107 to 80mm Collar	80mm router spindle motor
107 to 69mm Collar	Dewalt DWP611, Dewalt DCW600
107 to 65mm Collar	Makita RT0700C



3. Parts List

The lettered parts list will be used as reference in the rest of the manual, if you have any confusion about the parts we are mentioning, come back to this page for clearer reference.

- A. Router Lift
- B. Reducer Collar (Sold Separately)
- C. Router Table Insert Ring x 3 (ID: 10mm, 31.7mm, 51mm)
- D. Elevation Handle with Socket Adaptor, Sockets x 2 (10mm, 13mm)
- E. Threaded Start Pin
- F. Router Centering Pin x 2 (1/4", 1/2")
- G. Router Lift Plate Template
- H. 1/4" x 1/2" x 1-1/4" Flush Trim Bit with Top and Bottom Bearing
- I. Router Lift Corner Support x 4
- J. Pocket Hole Screws x 15
- K. M5 x 35 Hex Countersunk Screws x 4
- L. Pan Head bolts with Lock Washers
- M. Hex Leveling Screws x 24 (M5 x10 x 8, M5 x 15 x 8, M5 x 25 x 8)
- N. Allen wrench x 3



4. Making the Router Lift Table

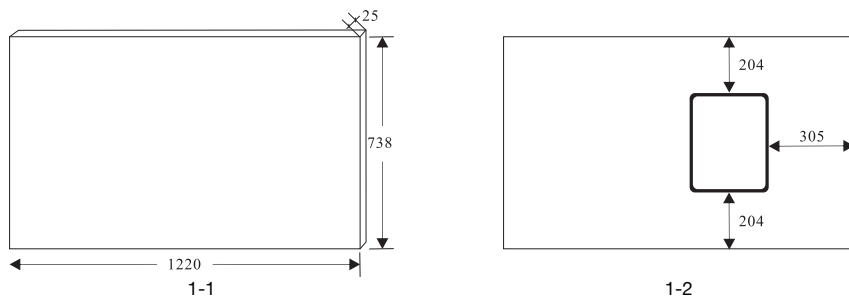
Before installing the router lift, you need to make a router table top. The table top should be at least 25mm (1 inch) thick. MDF, or plywood with flat surface is preferred.

There are 2 ways to make the table top: 1) Use single sheet of 25mm or thicker material, 2) Laminate 2 sheets of thinner material to reach 25mm or thicker. Both ways are fine, but the table must be flat and stable, or it may lead to inaccuracy or even serious injury during your work.

Here, we make an example of a table top made of 25mm thick MDF at the size of 1200 x 738mm

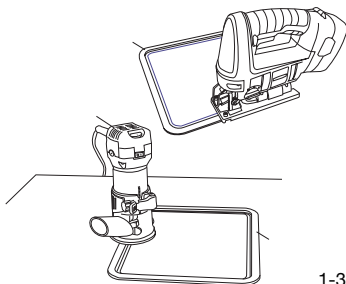
Step 1

Locate the position for the H. Router Lift Plate Template and mark the location with two perpendicular pencil line. Peel the double sided tape on the template, and carefully stick it to the marked position.



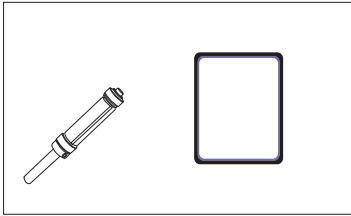
Step 2

Use a jigsaw or a router with template guide bushing to cut the bulk of the material off, leave no more than 6mm(1/4") material to the template. If you are using a router, make several passes to cut through the material.

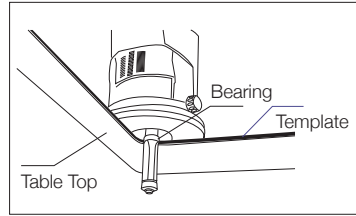


Step 3

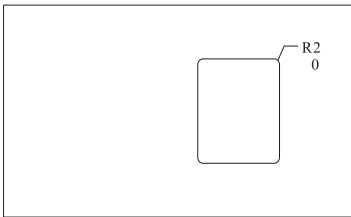
Use the I. Pattern Bit to clean the rest of the material, and remove the H. Router Lift Plate Template.



1-4



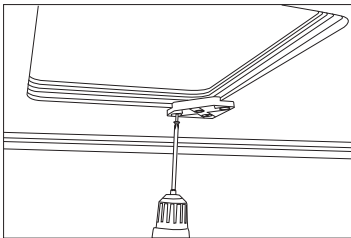
1-5



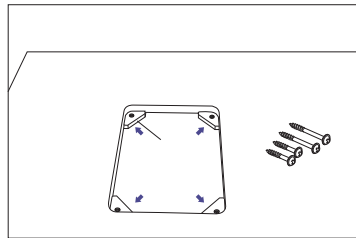
1-6

Step 4

Use J. Pocket Hole Screws to install the J. Router Lift Corner Support to the under side of the table. Predrill the screw holes to prevent splitting.



1-7

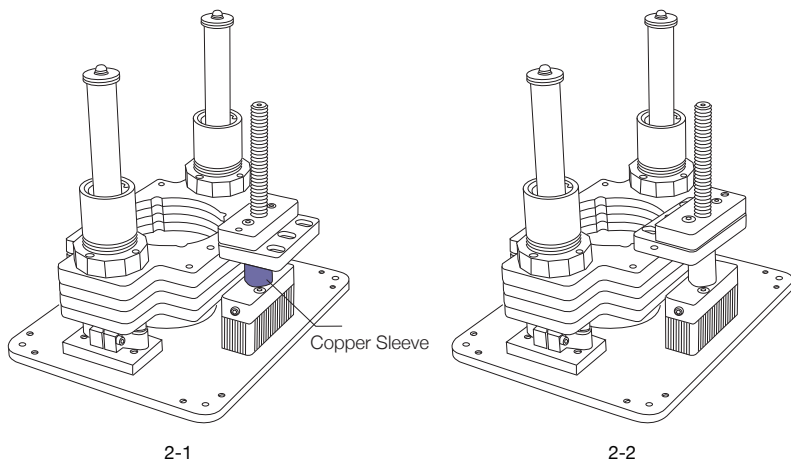


1-8

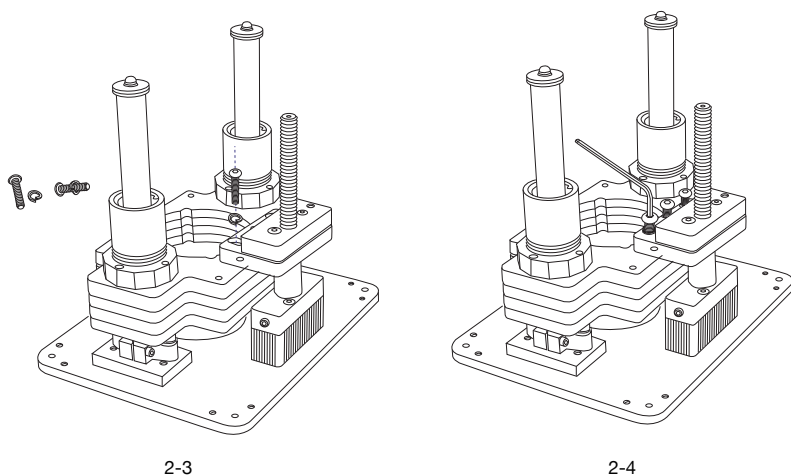
5. Assembling the Router Lift

Step 1

Set the router lift on a flat and smooth surface with the plate on the bottom. Turn the Copper Sleeve to the bottom of the threaded rod base, then turn the connection block on the threaded rod to align the three screw holes with the ones on the main router holder.

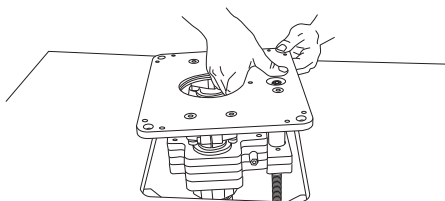


Use M. Pan Head bolts with Lock Washer to securely fasten the connection block. The needed Allen wrench is provided.



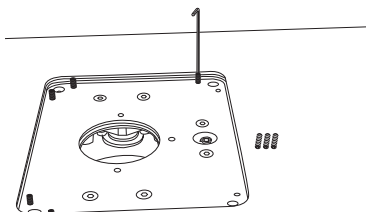
Step 2

Flip the router lift and carefully place the router lift plate onto the 4 installed corner supports.



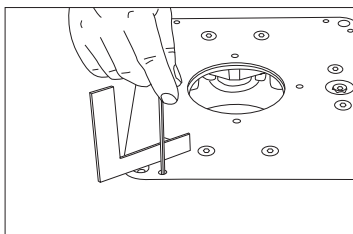
2-5

Select the set of N. Hex Leveling Screw of right length according to your table thickness, install them to 4 corners of the router lift plate.

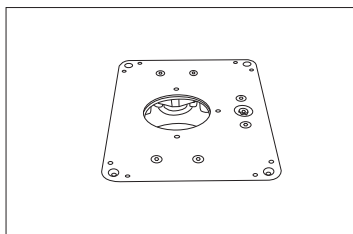


2-6

Use a straight edge such a steel ruler to check if the entire router lift plate is level to your table top.



2-7



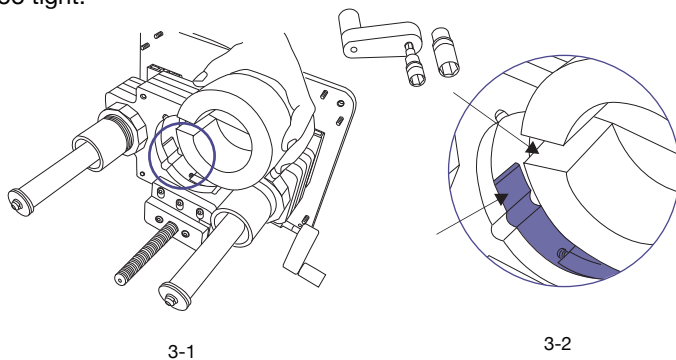
2-8

6. Installing the Router

Step 1

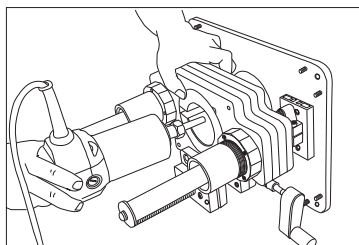
If your router doesn't need a reduce collar to be properly installed, you can ignore step1.

Install the reduce collar into the router holder, make sure the locking block of the router holder is close to the one side of the reduce collar opening. Use D. Elevation Handle with the 10 mm socket to lock the reduce collar in place, but not too tight.



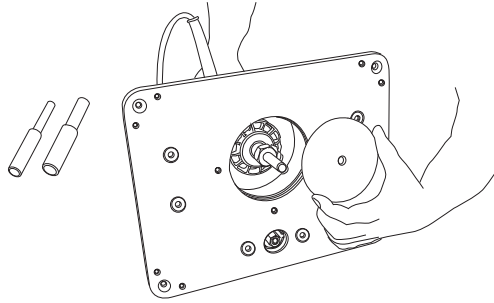
Step 2

Install the G. Router Centering Pin to your router and securely tighten it. Insert the C.Router Table Insert Ring with ID of 10mm into the router lift plate. Then install the router into the router lift and the Centering Pin into the Insert Ring. Use D. Elevation Handle with the 10 mm socket to securely tighten the router.



Step 3

Use a straight edge to make sure the Insert Ring is flush with the router lift plate, then use a mechanical square to check if the Centering Pin is perpendicular to the router lift plate on all four directions. Turn the locking nut of the router slowly, use a mechanical square to see if the centering pin has any circular runout.



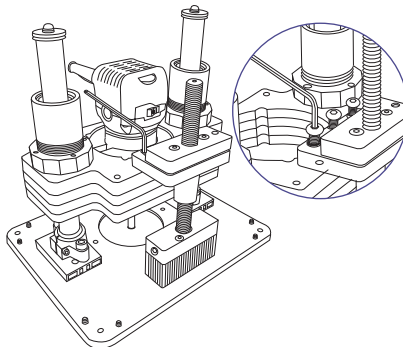
3-4

If the Centering Pin runs smoothly in the Insert Ring and centered, then you have finished installing the router to the lift. If not, follow Step.4 to make sure your router is properly aligned and centered to the router lift.

If you are experiencing any sign of circular runout of the router in the future, stop using the router lift immediately and recenter the router follow Step 4.

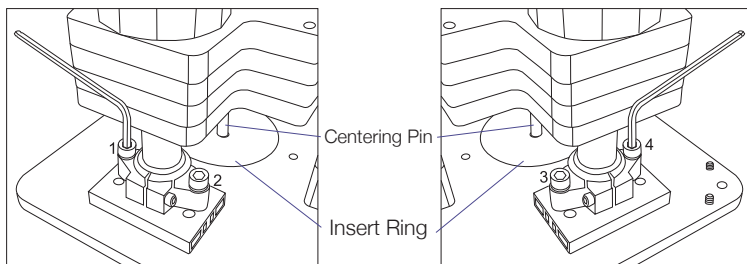
Step 4

Loosen all 3 bolts on the connection block, detach the block from the router holder.



3-6

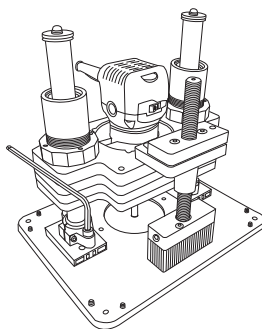
Slightly loosen the bolts on both of the guide post holders until the holders can be moved with friction. Carefully move the entire router holder to center the Centering Pin to the Insert Ring.



3-7

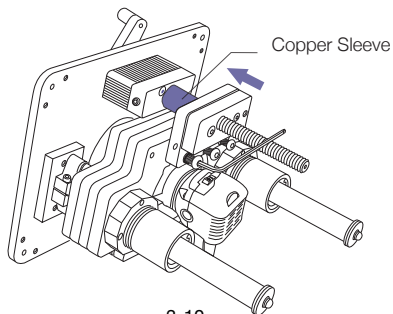
3-8

Securely tighten the bolts on the guide post holders.



3-9

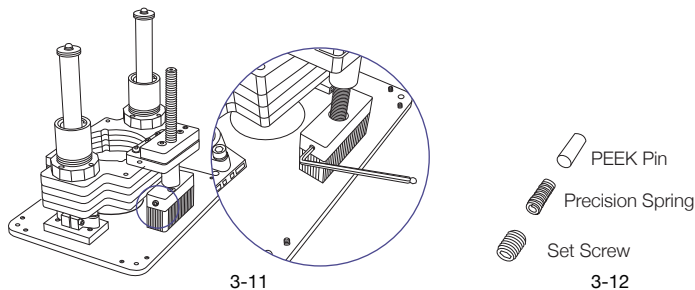
Screw the Copper Sleeve to the bottom, then turn the connection block on the threaded rod to align the three screw holes with the ones on the main router holder. Use M. Pan Head bolts with Lock Washer to securely fasten the connection block.



3-10

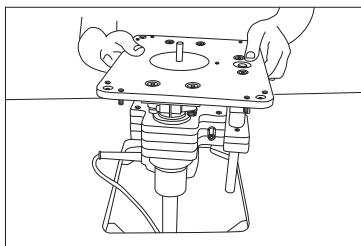
Step 5

On the Holder of the threaded rod is a specially design anti-resonance screw, the structure of it is shown in. Tighten the screw will reduce the chance of the router moving due to resonance.

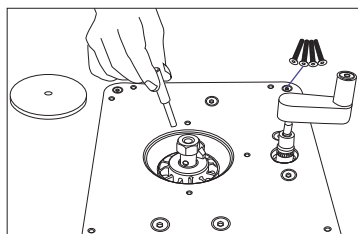


Step 6

Carefully mount the router lift to the opening on you table top. Check if the router lift plate is flush with the table top again, adjust with the set screws if needed.



Fasten the Router Lift to the corner support.

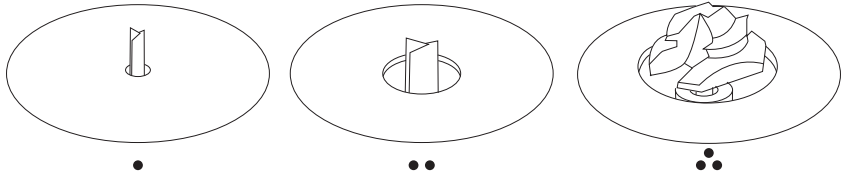


Now your router lift is ready! Test run a few times to check if there's any unusual vibration. If you run into any unfamiliar problems, contact us before you put the router lift to use.

7. Using the Router Lift

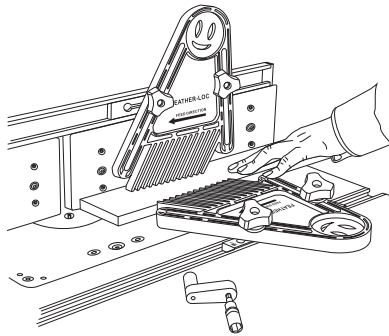
Step 1

Select the right sized Insert Plate, the inner diameter of the Insert Plate should be slightly larger than your router bits.



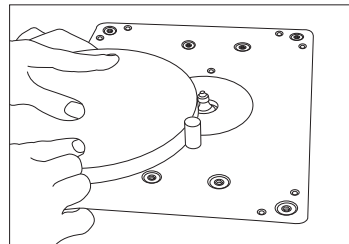
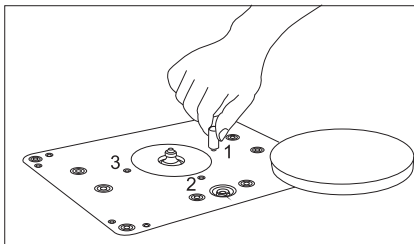
Step 2

Use our feather board if necessary.



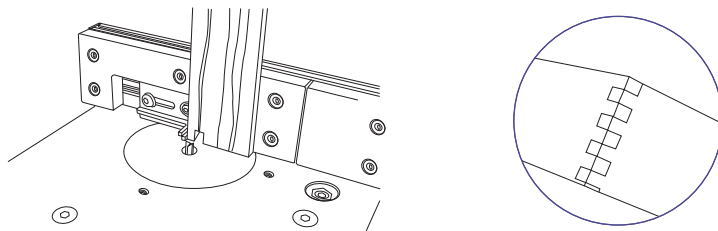
Step 3

Use the F. Threaded Start Pin to template route your work piece.



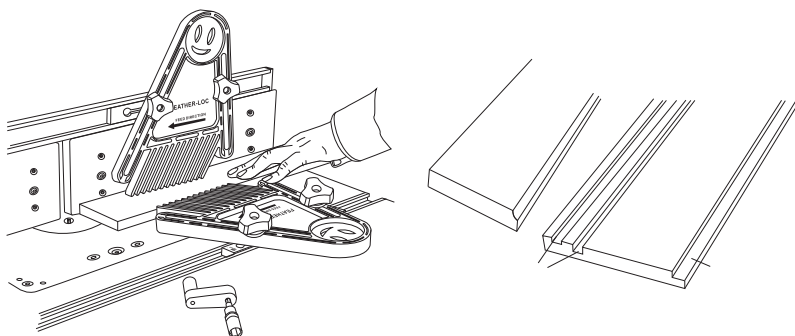
Step 4

Use our finger joint router fence template to make finger joint.



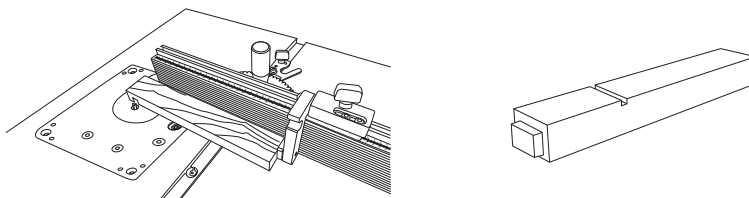
Step 5

Use straight bit to make dado, rabbet.



Step 6

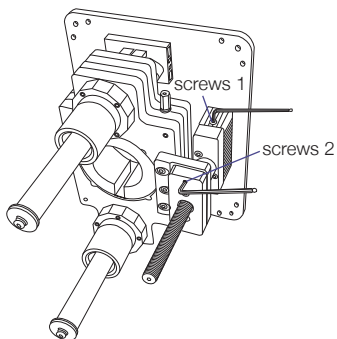
Use our miter gauge to make tenons.



8. Installing Digital Displacement Display (not included)

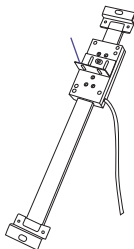
Step 1

Unfasten Screw 1 and loosen Screw 2 indicated in Figure*.



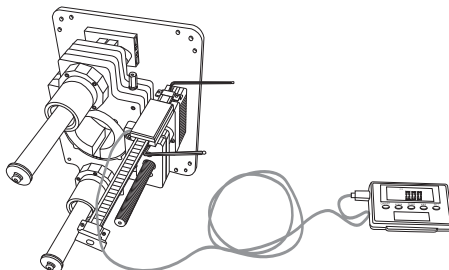
Step 2

Insert the bracket on the back of the displacement display and fasten Screw2.



Step 3

Slide the end of the displacement display and align the slot with the screw hole of Screw 1, securely tighten it.



9. Warranty

ZahyoX warrants to the original retail purchaser of a new Router Lift from an authorized ZahyoX distributor that the Router Lift will be free from defects in material and workmanship for ONE YEAR from the date of purchase. ZahyoX warrants to the original retail purchaser of a refurbished, demonstration or floor model Router Lift from an authorized ZahyoX distributor that the Router Lift systems will be free from defects in material and workmanship for SIX MONTHS from the date of purchase.

This warranty does not apply to defects arising from misuse, abuse, negligence, accidents, normal wear-and-tear, unauthorized repair or alteration, or lack of maintenance. This warranty is void if the Router Lift systems or any portion of the Router Lift systems are modified without the prior written permission of ZahyoX Tools, LLC, or if the Router Lift systems are located or have been used outside of the country where the authorized ZahyoX distributor from whom the Router Lift systems were purchased resides.

Please contact ZahyoX to take advantage of this warranty. If ZahyoX determines the Router Lift systems are defective in material or workmanship, and not due to misuse, abuse, negligence, accidents, normal wear-and-tear, unauthorized repair or alteration, or lack of maintenance, then ZahyoX will, at its expense and upon proof of purchase, send replacement parts to the original retail purchaser necessary to cure the defect. Alternatively, ZahyoX will repair the Router Lift systems provided they are returned to ZahyoX, shipping prepaid, with proof of purchase and within the warranty period.

ZahyoX disclaims any and all other express or implied warranties, including merchantability and fitness for a particular purpose. ZahyoX shall not be liable for death, injuries to persons or property, or incidental, consequential, contingent or special damages arising from the use of the Router Lift systems.

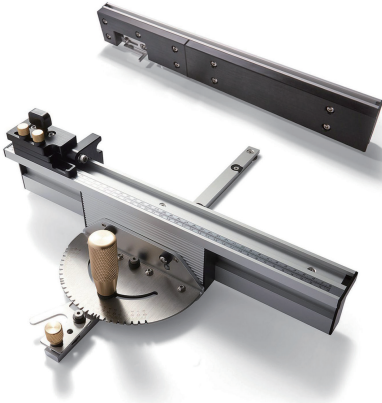
This warranty gives you specific legal rights. You may have other rights which, in the United States, vary from state to state.

10. Router Table Related Accessories

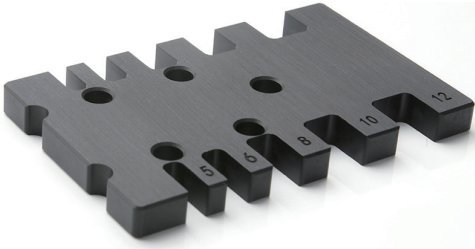
1. Feather Board



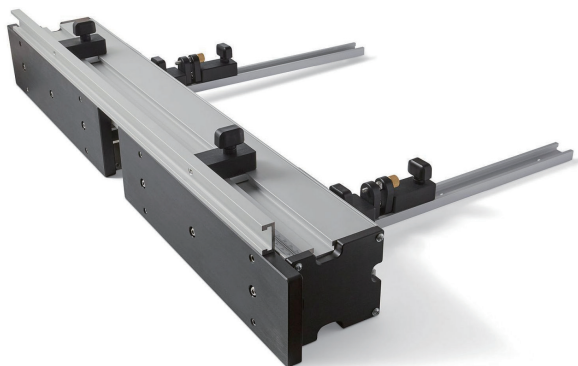
2. Router Lift Miter Gauge with Fence for Finger Joint



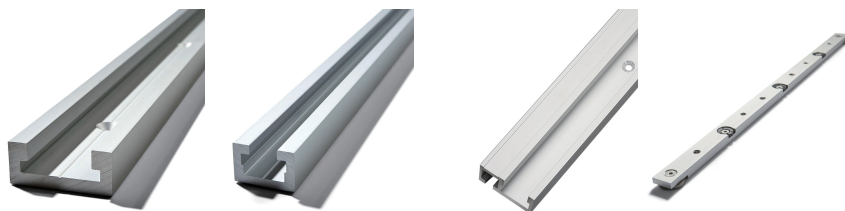
3. Router Template for Finger Joint



4. Router Fence



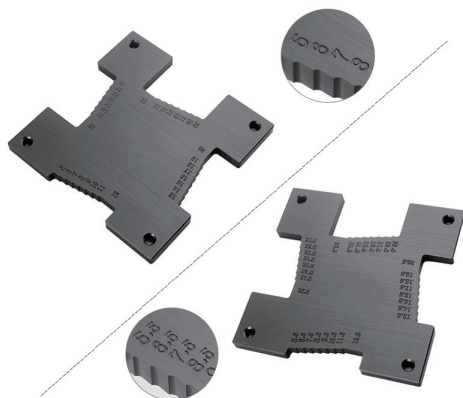
5. Miter Track, T track, Miter Track with Scale, Miter Bar



6. Router Round Corner Template



7. Saw Blade and Router Bit Height Gauge



8. Flip Stop Block with Scale Indicator



