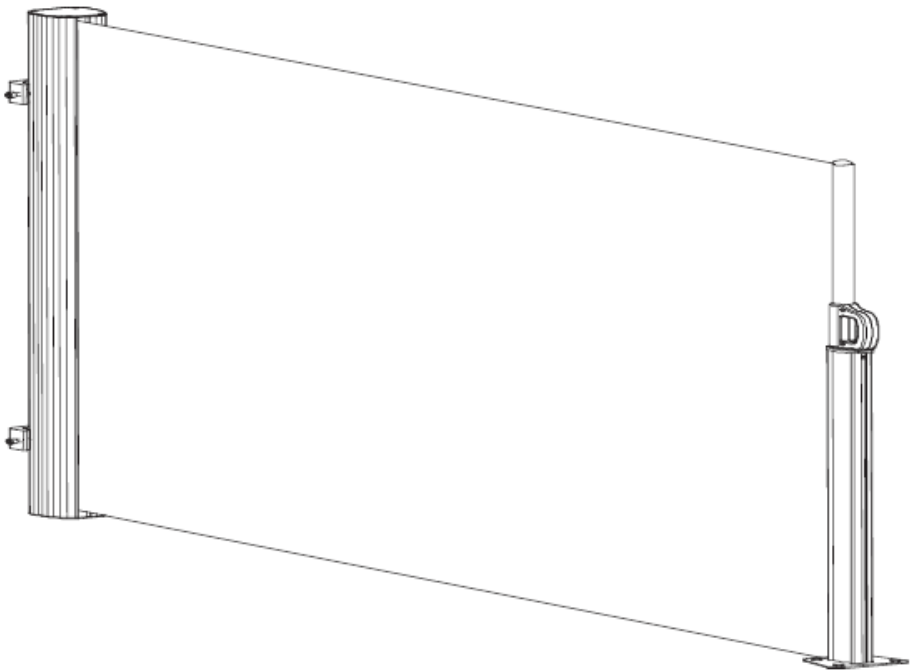


3.5M Side Awning





Thank you for purchasing this SUNMER product.

Please read the user manual carefully before using this product.

We will update our instruction manuals if necessary.

For the most up-to-date user manual, please visit our official website: www.nettadirect.com.

You can download a copy of up to date user manuals at any time in electronic format. We do not supply you with a paper-based user manual after each revision.

Require a larger version of this Instruction Manual?

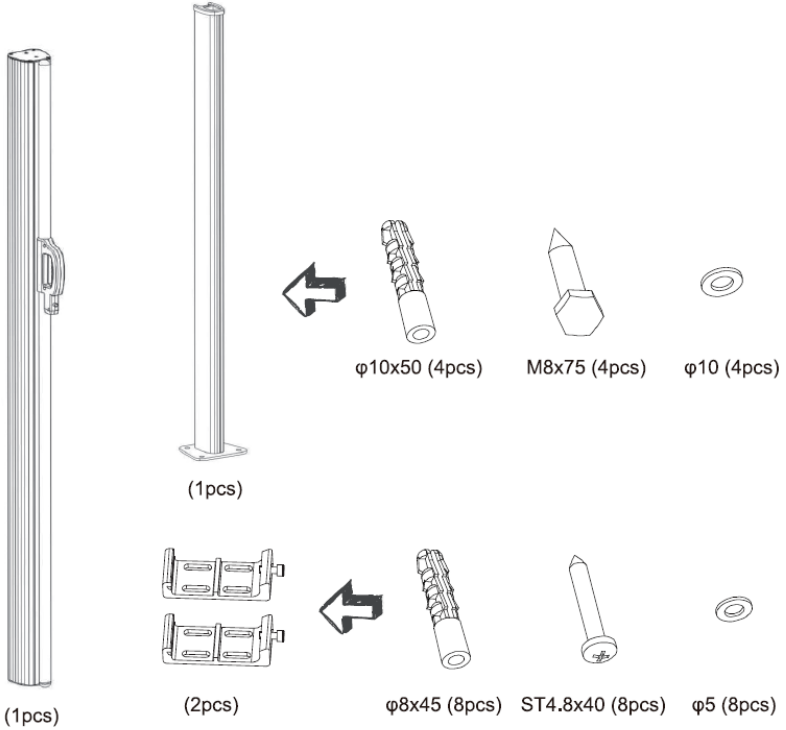
Please download electronically from our website and use PDF reader on your device to enlarge the text if needed.

www.nettadirect.com

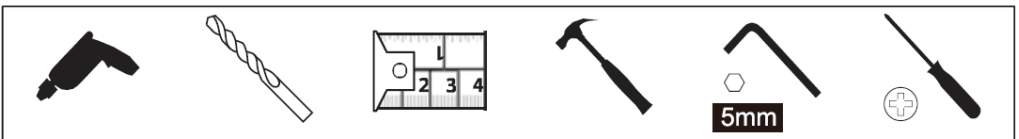
Preface

- Please read all instructions carefully and keep them safe for future reference.
- Separate and count all parts and hardware.
- Read each step carefully and follow the correct order when operating the product.
- We recommend that, where possible, the product should be assembled near the area of use to avoid unnecessary movement after assembly.
- Always place the product on a flat, stable surface.
- Please keep all small parts and packaging for this product away from babies and children.

Components

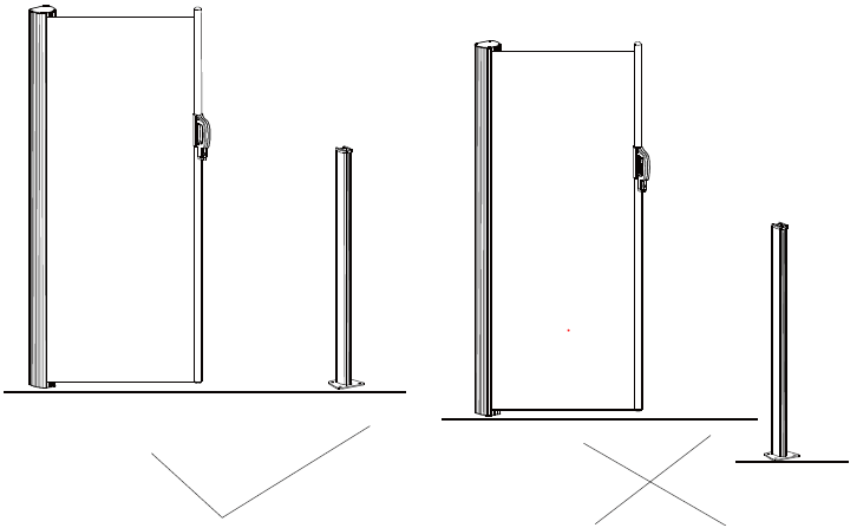


You will need (not supplied):



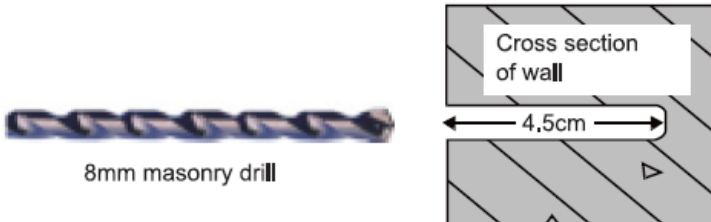
When mounting the side awning, keep the main part and the stand column in line with each other.

Failure to do so will result in deformation of the fabric and it will be difficult to open and close the awning.



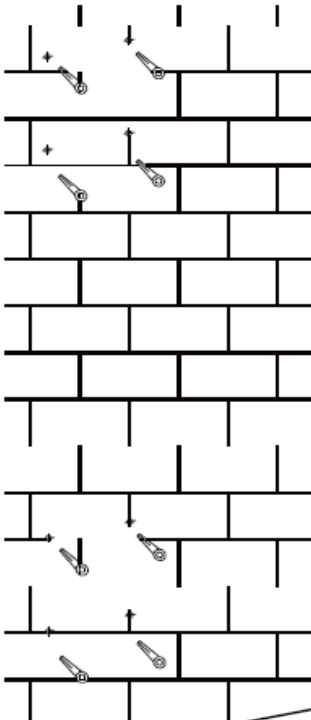
Installation

1. Drill eight 4.5cm deep holes with an 8mm masonry drill (see step 2 for positioning).

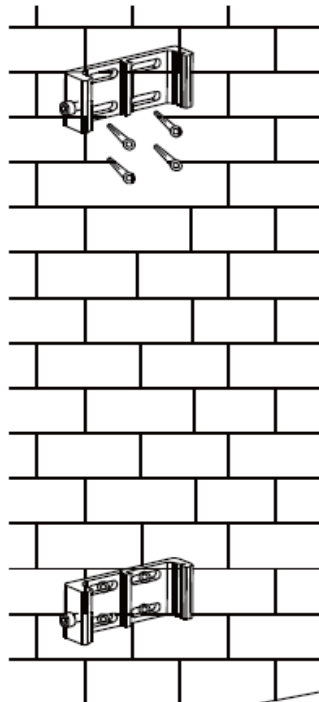


8mm masonry drill

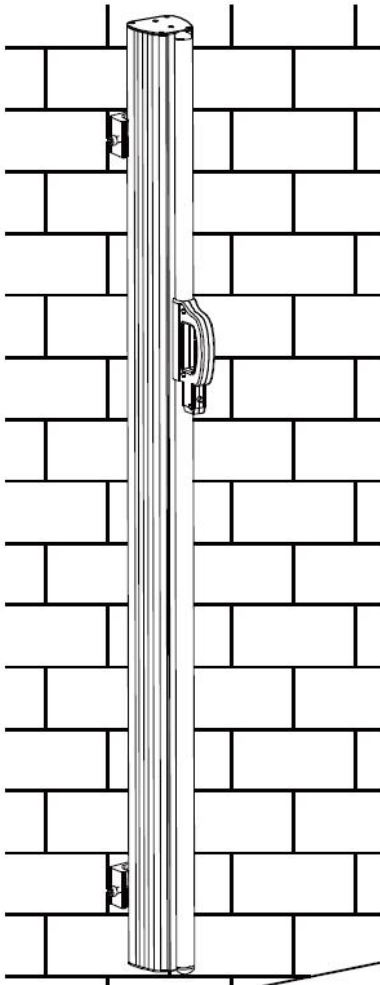
2. Insert one 8x45mm plastic expansion tube in each of the holes.



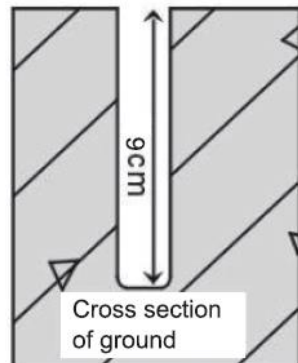
3. Fix the bracket with ST4.8x40mm cross tapping screws.



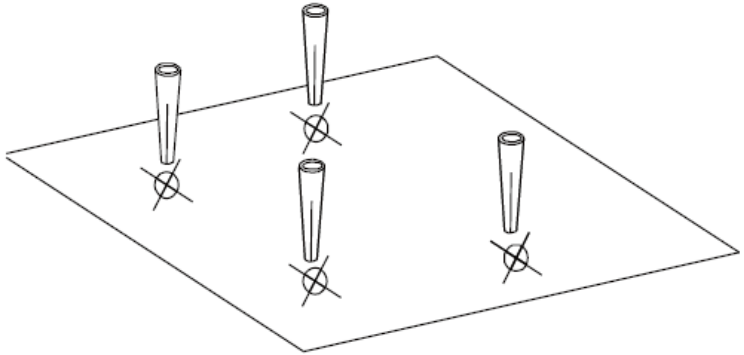
4. Insert the cassette part into the bracket, tighten the flat fillister head screw M6x16mm with a hexagonal spanner CR-V5mm.



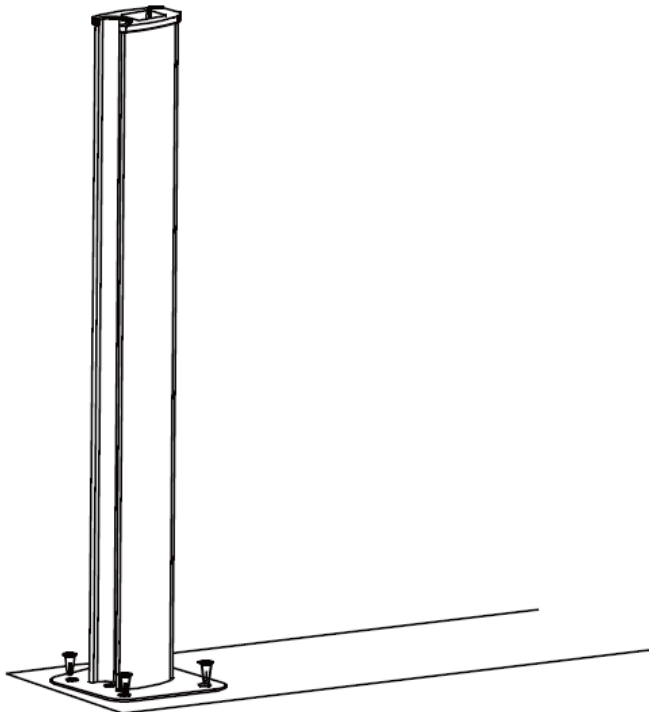
5. Drill four 10mm diameter holes on the floor to a depth of 9cm.



6. Insert one 10x50mm plastic expansion screws (4pcs) into the holes.



7. Align the holes of the stand with the holes on the floor and use the M8x75mm hexagon tapping bolts to tighten.

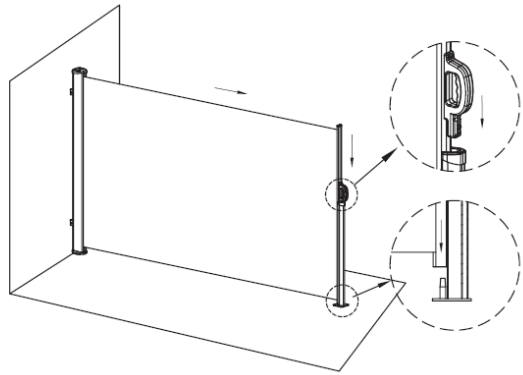


Step 4: Correct use

Open:

Keeping the front bar upright, hold the handle and push it above the stand column. Hold the handle and press the handle spindle so that the pin comes into the handle and then put the handle into the stand column.

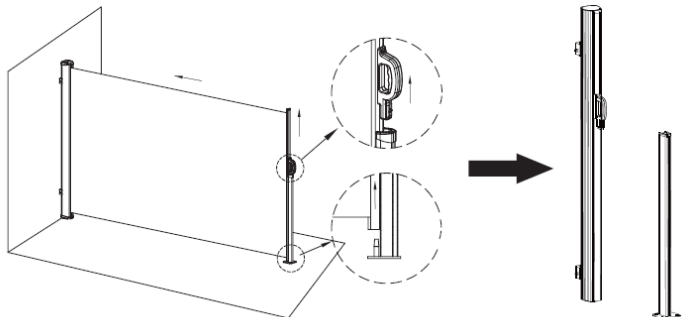
Opening



Close:

When you want to close the awning, hold the handle and pull up the handle spindle. Keep the fabric horizontal and push the handle back to the cover slowly.

Closing



Product Maintenance

- Do not scratch or prick the fabric to avoid irreversible scratches forming.
- It is recommended to close the side awning and cover it with a protective cover in stormy weather to extend its life.
- It can be hand-washed or dry-cleaned. The washing temperature should be below 45°C.
- No high-temperature ironing, do not tumble-dry and no bleaching.
- Please use this product in strict accordance with the installation instructions and precautions in the manual. Product damage caused by human error do not fall within scope of the warranty and product returns.
- Please feel free to contact us if you have any questions regarding this product.
- When the side awning is not in use, please close it slowly to prevent the fabric being folded incorrectly.

Spare Parts/Repair

To order replacement parts, please go to www.nettadirect.com/parts.

You will need PDC information from your product, user manual or carton box. Alternatively, go to our website and use search bar to find the parts available.

You can also find this code on the [back of this User Manual](#).

For our Repair Service, please contact our customer support with email on support@nettadirect.com they will provide with more details of repair service with NETTA.

Disposal of Product.

IMPORTANT INFORMATION FOR CORRECT DISPOSAL OF THE PRODUCT IN ACCORDANCE WITH EC DIRECTIVE 2002/96/EC.

DISPOSAL:

Please dispose of this product responsibly. This item cannot be disposed of with general waste. Please contact your local council authority for more information on how to dispose this product. If this product is disposed of with general waste, it will end up in a landfill and may leak hazardous substances into the groundwater – effecting our food chain.



Your Warranty

If you purchased with NETTADIRECT, or one of our authorised resellers, you will automatically enrol your warranty for 1 (ONE) year. You do not need to register again for your warranty. All warranties will be carried out to our terms and conditions including warranty conditions you will find out from our website at www.nettadirect.com.



Copyrights

SUNMER is a part of the NETTA brand. NETTA and its logo including images and contents in this manual and website is copyrighted. All intellectual property rights belong to NETTA owner CONSUMABLE DIRECT LIMITED.

ANY UNAUTHORISED USE, MODIFICATION or DISTRIBUTION of the NETTA logo, website image, and its contents (from website, manuals) will violate worldwide copyright, trademark, and associated laws.

We reserve the right to proceed with lawsuits to anyone who is found breaching our copyrights policy. For more details, please check our website copyright policy for more information.

Product Dependency Code (PDC)

Your PDC is below:

PDC:
SKU: 103988 / 103989 / 103990

NETTA is a registered trademark of CONSUMABLE DIRECT LIMITED.
Product Produced for CONSUMABLE DIRECT LIMITED M30 0QF U.K.

Printed in China