

# 2 IN 1 SCARIFIER AND AERATOR



**RATED  
POWER**  
1500W

**FOUR  
WORKING  
DEPTHS**

**POWER  
CABLE**  
10M

**WEIGHT**  
9.3KG

---

EN USER INSTRUCTION & OPERATION MANUAL

EN

**Thank you for purchasing this NETTA product.**

Please read the user manual carefully before operating this appliance.

We will update our instruction manuals if necessary.

For the most up-to-date user manual, please visit our official website: [www.nettdirect.com](http://www.nettdirect.com).

You can download a copy of up-to-date user manuals at any time in electronic format. We do not supply you with a paper-based user manual after each revision.

**Require a larger version of this  
Instruction Manual?**

**Please download electronically from  
our website and use PDF reader on  
your device to enlarge the text if  
needed.**

**[www.nettdirect.com](http://www.nettdirect.com)**

## Safety and Warnings

### Intended Use

This NETTA product is designed for private outdoor use only. It is not for use in public parks, sports grounds, agriculture, or forestry. Failure to use this product as intended will void the warranty.

### Regular Check-Ups

Ensure the power cable and plug are not damaged before plugging into a socket.

Check all the knobs are functioning correctly.

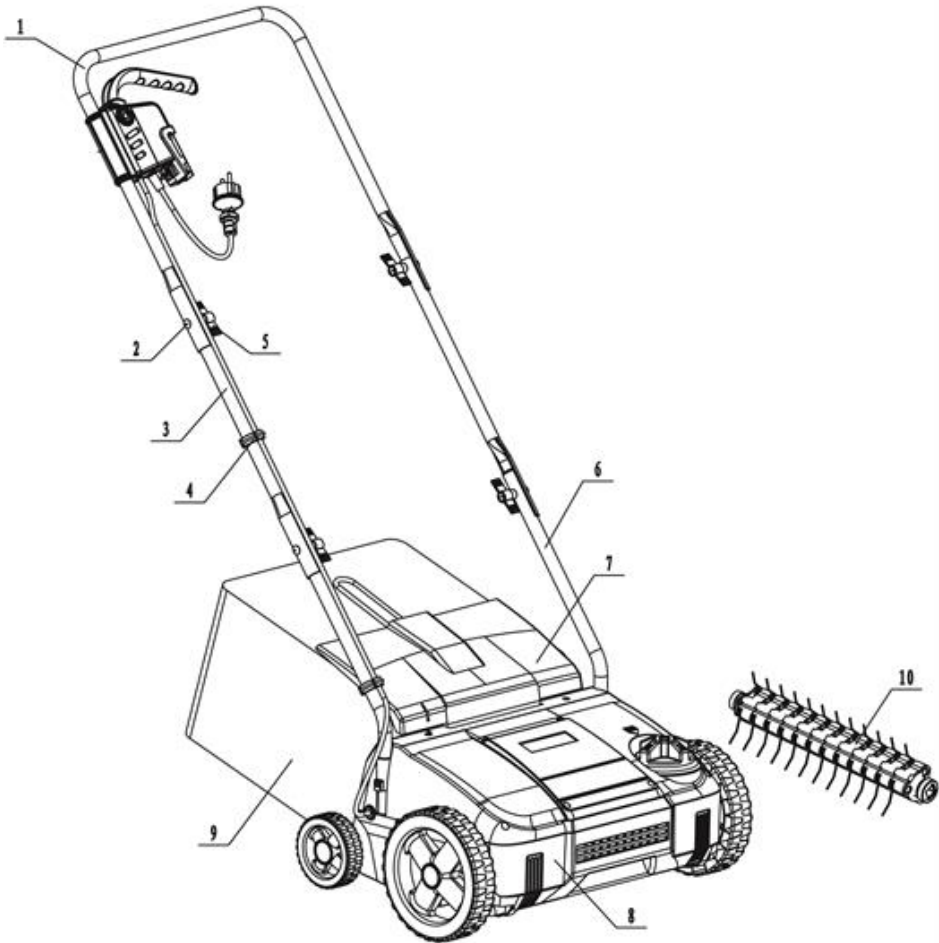
## General Warnings

- Always follow this instruction manual and go through all the safety checks.
- This is not toy - do not let children play with it.
- Do not modify this product in any way.
- Only use this product in a well-lit area.
- Do not operate tools in explosive atmospheres.
- Before using an electric powered appliance, check the rating label and voltage information on this manual, or the rating label on back of the machine.
- If the machine strikes a foreign body, turn it off immediately, wait for the tines to stop and check for damage. If necessary, repair before restarting.
- If you are unsure, please seek a certified electrician for advice.
- The appliance must not be immersed in liquid.
- If the machine starts to vibrate abnormally, turn it off immediately and check for the cause.
- Do not use any power tool if the on/off switch is damaged.
- Check that the moving parts of your tool operate smoothly and are not cracked or damaged.

## Risk of Personal Injury

- Before using the product, ensure all parts are working as normal and have no damage. Any part that is damaged should be properly repaired or replaced.
- Do not wear loose clothing or jewelry and wear protective hair covering to contain long hair.
- Use of rubber gloves and substantial footwear is recommended when working outdoors.
- Never carry this product by the cord or yank the cord to disconnect it from the socket. Keep the cord away from heat, oil, and sharp edges.
- Guide the scarifier at a walking pace only. Always keep proper footing and balance.
- When not in use, the scarifier should be stored indoors in a dry area out of children's reach.
- Keep clean for best performance and to reduce the risk of injury. Inspect extension cord periodically and replace if damaged. Keep handles dry, clean, and free from oil.
- Do not operate the scarifier on a slope that is too steep for safe operation. When on slopes, slow down and make sure you have good footing.
- Grip the guide bar firmly with both hands. Never operate the scarifier with one hand.
- Always turn off the scarifier, disconnect from the power supply and wait until the tines come to a complete stop before carrying out any maintenance or repairs

## Assembling the Product



1. Upper Push Rod

2. Bolt

3. Middle Push Rod

4. Cable

5. Knob

6. Lower Push Rod

7. Tailgate

8. Motor Housing

9. Straw Frame

10. Raker Cylinder

## Assembling the Product

**Guide Bar** (Fig. 1-1, 1-2., 1-3).

- Insert the lower push rod (3) into the motor housing (8) and tighten the four screws.
- Slide the cable holder (4) onto the upper push rod (1).
- Connect the guide bar by connecting both sides to the supplied bolts (2) and knob (5).

**Collection Bag** (Fig. 1-4).

- Pull the safety flat upwards and hold.
- Attach the holder of the collecting bag (9) to the hooks onto the motor housing (8).

**Setting the Working Depth** (Fig. 2).

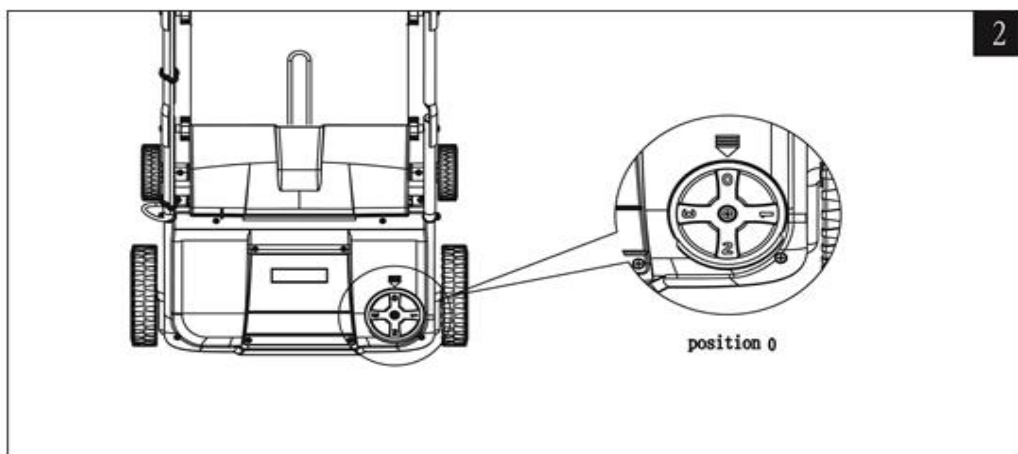
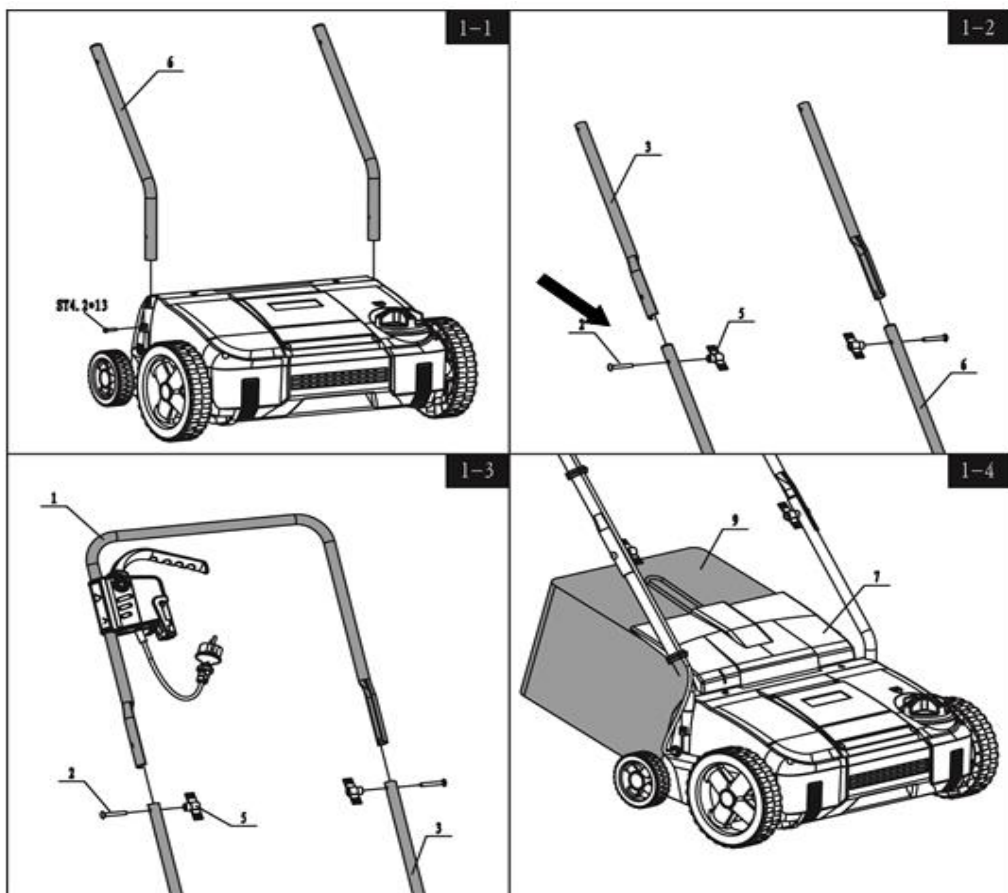
Caution! Only set the working depth when the motor is switched off and the blade shaft is at a standstill.

- Rotate the knob into the desired gear.

The working depth for the application with the raker and scarifier can be set at:

	Raker	Scarifier
Position 0	3 mm	3mm
Position1	-3mm	-3mm
Position 2	-6mm	-6mm
Position 3	-9 mm	-9mm

**See next page for Fig. 1 & Fig. 2**



## Operating the Product

### On/Off Switch

Caution! Do not start the appliance if it is standing in long grass or solid ground.

- Press the safety lock button A of the switch/plug combination and then pull the switch level B against the bar.
- Keep the switch level held whilst releasing the safety button.
- To stop the appliance, release the switch level and it automatically returns to the start position.

### Overheat Protection

If the application is blocked by a foreign object or if the motor is overloaded, the motor will switch off automatically by the protection device. Wait until the motor cools down before re-starting the machine (approx. 15 mins).

### Scarification

To achieve the best results, mow your lawn to a short height (less than 4cm before starting).

- Select the working depth depending upon the state of the lawn and the actual height of the grass.
- Tilt the scarifier backwards slightly so that both front wheels are off the ground.
- Switch the scarifier on and the cylinder should start rotating.
- Guide the scarifier at an appropriate speed in strips as straight as possible across your lawn.
- Always guide the scarifier at an even speed. Remaining in one spot too long or using when the ground is too wet or dry will cause damage to the grass.
- To prevent tripping, take care when moving backwards.
- Always let the cutting blade rotate at top speed. Do not work in ways which overload the appliance.



- Empty the grass box when it is full in order to prevent the blade becoming clogged or the motor being overloaded.

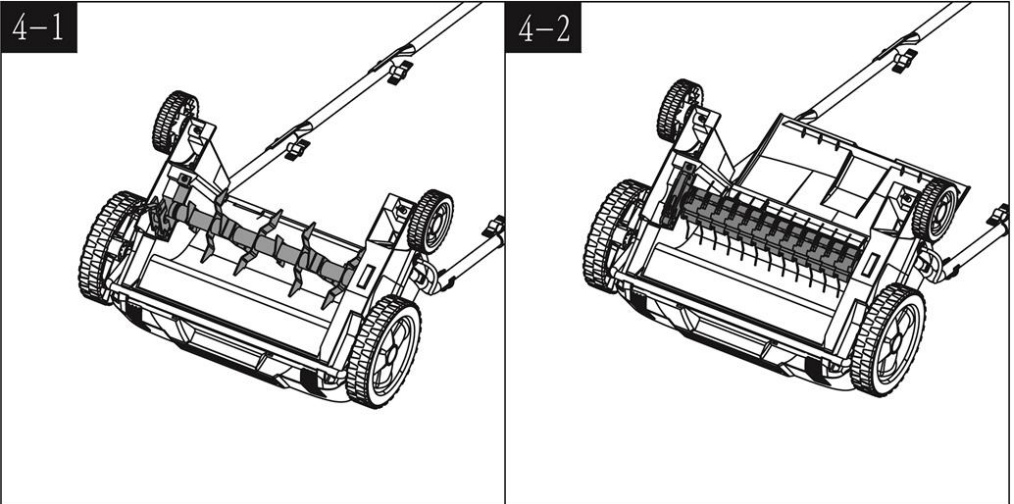
## Blades

Worn blades invite poor performance and overload the motor. Sharpen or replace the blades when necessary. Use a specialist.

The blades are designed to be reversible. To change their direction:

- Remove the clasp from the device by hand (Fig. 4-1).
- Take the scarifier cylinder out of the housing (Fig. 4-2).

**Caution! Disconnect from the mains and wear protective gloves.**



## **Cleaning, Maintenance and Storage**

Before carrying out any maintenance operations, cut off the power supply by disconnecting the plug from the socket/extension cable.

### **Prior to Each Use**

- Check the power cable for signs of damage. Do not use if found.
- Check the condition of the cutting cylinder and ensure that all threaded connections are securely tightened.
- If the blades are blunt, take it to a specialist workshop for repair.

### **Once per Season**

- Lubricate the blades, joints between the cylinder, the driving shaft, and the twist spring on the safety flap.
- At the end of the grass-cutting season, have the application checked and serviced in a specialist workshop.

### **Cleaning**

- Always clean the application straight after you have finished work.
- Empty and clean the collection bag if empty.
- Always stand the application on a firm surface and block the wheels to prevent it from rolling away.
- Tilt the application forwards.
- Clean the underside of the housing around the blades and the safety flap with a scrubbing brush. Never splash with water!
- Stand the application on its wheels and clean the ventilator and any remaining grass and dirt.

### **Transport**

Always switch off the motor before transporting.

## Storage

Store this product in a dry, clean space out of the reach of children.

If storing for long periods, wipe all metal surfaces with oil to protect from rust.

Fold the guide bar down and store in a suitable place.

## Troubleshooting

Problem	Possible Causes	Remedy
Motor does not start	No electricity	Check mains connection
	Defective cable	Check cable, plug in, replace if required, or have it repaired by a qualified person
	Defective safety switch/plug combination	Arrange for repair in a specialist workshop
	Overheat protection activated	1. Working depth too large, set to the shorter depth
		2. Cylinder blocked, remove the blockage
3. Grass too long, mow the lawn before operation		
	Wait until the motor cool down for around 15 minutes before rework.	
Abnormal noises	Cylinder is jammed	Switch off wait till complete stop. Remove the objects
	Cogged belt slipping	Arrange for repair in a specialist workshop

	Loose bolts, nuts, or other securing components	Tighten all components, contact specialist workshop if noises prevail
Abnormal vibrations	Cutting blades damaged or worn	Replace a new cylinder or have it checked by a specialist workshop
	Working depth too large	Set to correct working depth
	Grass too long	Mow the lawn before aerating
Poor scarification results	Working depth too small	Set to large working depth
	Worn blades	Replace a new cylinder or have it checked by a specialist workshop
	Ejector channel blocked	Empty collection bag and remove blockage

## Spare Parts and Repairs

---

To order replacement parts, please go to [www.nettadirect.com/parts](http://www.nettadirect.com/parts).

You will need PDC information from your product, user manual or carton box. Alternatively, go to our website and use search bar to find the parts available.

You can also find this code on the [back of this User Manual](#).

For our Repair Service, please contact our customer support with email on [support@nettadirect.com](mailto:support@nettadirect.com) they will provide with more details of repair service with NETTA.

## Disposal of Product

---

**IMPORTANT INFORMATION FOR CORRECT DISPOSAL OF THE PRODUCT IN ACCORDANCE WITH EC DIRECTIVE 2002/96/EC.**

### **DISPOSAL:**

Please dispose of this product responsibly. This item cannot be disposed of with general waste. Please contact your local council authority for more information on how to dispose this product. If this product is disposed of with general waste, it will end up in a landfill and will leak hazardous substances into the groundwater – effecting our food chain.



## Your Warranty

---

If you purchased with NETTADIRECT, or one of our authorised resellers, you will automatically enrol your warranty for 1 (ONE) year. You do not need to register again for your warranty. All warranties will be carried out to our terms and conditions including warranty conditions which you can find out from our website at [www.nettadirect.com](http://www.nettadirect.com).

## Copyrights

---

NETTA and its logo including images and contents in this manual and website is copyrighted. All intellectual property rights belong to NETTA owner CONSUMABLE DIRECT LIMITED.

ANY UNAUTHORISED USE, MODIFICATION or DISTRIBUTION of the NETTA logo, website image, and its contents (from website, manuals) will violate worldwide copyright, trademark, and associated laws.

We reserve the right to proceed with lawsuits to anyone who is found breaching our copyrights policy. For more details, please check our website copyright policy for more information.

## Product Dependency Code (PDC)

---

Your PDC is below:

PDC: N1B-9JY-30  
SKU: 103891

NETTA is a registered trademark of CONSUMABLE DIRECT LIMITED.  
Product Produced for CONSUMABLE DIRECT LIMITED M30 0QF U.K.

Printed in China