

STOVE HEATER



**RATED
POWER**
1750W-1950W

**HEAT
SETTINGS**
TWO

**THERMAL
CUT-OFF**

**FLAME
EFFECT**

Thank you for purchasing this NETTA product.

Please read the user manual carefully before operating this appliance.

We will update our instruction manuals if necessary.

For the most up-to-date user manual, please visit our official website: www.nettdirect.com.

You can download a copy of up to date user manuals at any time in electronic format. We do not supply you with a paper-based user manual after each revision.

**Require a larger version of this
Instruction Manual?**

**Please download electronically
from our website and use PDF
reader on your device to enlarge
the text if needed.**

www.nettdirect.com

Safety and Warnings

Intended Use

NETTA Design is for domestic and indoor use only. This product is not intended for use by people who have lack of experience and knowledge or have reduced ability, or sensory and mental capabilities.

Regular Check-Ups

Ensure the power cable and plug are not damaged before plugging into a 220-240V socket.

Check all the knobs are functioning correctly.

General Warnings

- Read and save this instruction manual for further reading.
- Remove the packing and make sure that the appliance is intact. The appliance must be intact without visible damages which could be caused by transport. In case of doubt do not use it and contact our After-Sales service. Do not leave packaging materials like plastic bags, foam polystyrene, buttons and staples within reach of children.
- Do not plug anything additional into the same circuit. If you have any questions whether your wiring is adequate, consult a qualified electrician. Risk of fire, overheating, malfunction, property damage, injury or even death result if not adhered to.
- Use your heater-fan only with a working smoke detector located in the vicinity of your heater/fan.
- While using your heater/fan, you should follow the instructions listed below.
- Always plug heaters directly into a wall outlet/receptacle. Never use with an extension cord or relocatable power tap (outlet/power strip).


General Warnings

- When using electrical appliances, basic precautions should always be followed to reduce the risk of fire, electric shock and injury to persons, including the following:
- Read all the instructions before using this heater/fan.
- This heater/fan is hot when in use. To avoid burns, do not let bare skin touch hot surfaces. Use provided handle when moving this heater. Keep combustible materials, such as furniture, pillows, bedding, papers, clothes and curtains at least 1 meter from the front of the heater-fan and keep them away from the sides and rear.
- Do not use heater unattended. Use of extreme caution is necessary when any heater is used by or near children, invalids, disabled persons or pets.
- Do not operate the heater with a damaged power cord or after the heater malfunctions, has been dropped or damaged in any manner. Return heater to authorized service facility for examination, electrical or mechanical adjustment or repair.
- Do not use heater outdoors.
- Use your heater only in dry environments. This heater is not intended for use in a bathroom, laundry area, or similar locations, or near sinks, washing machines, swimming pools or other sources of water. Never locate heater where it may fall into a bathtub or other water container. Do not use in damp environments such as flooded basements.
- Do not place the heater on a small, unlevel, uneven or any surface which might allow heater to tip or fall.
- For proper operation, heater should be placed on a smooth, non-combustible surface. Do not place on rugs, carpet, vinyl flooring or other plastic surfaces. Not for use outdoors or in wet areas.

General Warnings

- This heater is not designed as a primary heat source.
- Always unplug heater when not in use.
- Do not run power cord under carpeting. Do not cover cord with throw rugs, runners or similar coverings. Arrange cord away from traffic area where it will not be tripped over.
- To disconnect heater, turn controls off then remove plug from outlet.
- Do not insert or allow foreign objects to enter any ventilation or exhaust opening as this may cause an electric shock or fire or damage the heater.
- To prevent a possible fire, do not block air intakes or exhaust in any manner. Do not use on soft surfaces like a bed, where openings may become blocked.
- A heater has hot and arcing or sparking parts inside. Do not use it in areas where gasoline, paint or flammable liquids are used or stored.
- Use this heater only as described in this manual. Any other use not recommended by the manufacturer may cause fire, electric shock or injury to persons or property.
- Children of less than 3 years should be kept away unless continuously supervised.
- Children aged from 3 years and less than 8 years shall only switch on/off the appliance provided that it has been placed or installed in its intended normal operating position and they have been given supervision or instruction concerning use of the appliance in a safe way and understand the hazards involved. Children aged from 3 years and less than 8 years shall not plug in, regulate and clean the appliance or perform user maintenance.

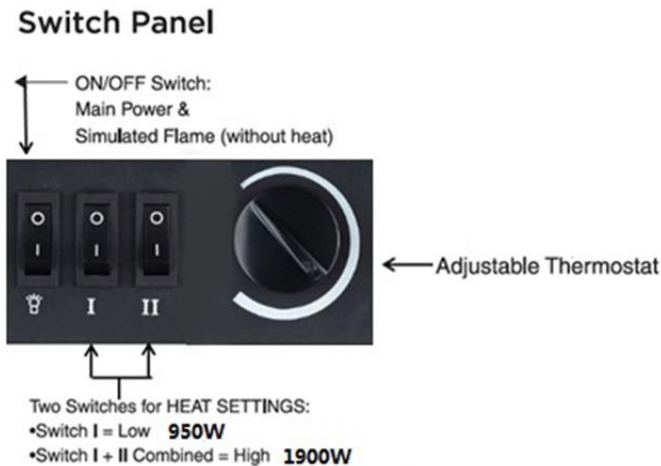
General Warnings

- CAUTION — Some parts of this product can become very hot and cause burns. Particular attention has to be given where children and vulnerable people are present.
- This symbol on your device means: do not cover! A circular prohibition symbol with a diagonal slash over a square icon representing a cover or panel.
- WARNING: In order to avoid overheating, do not cover the heater.
- Heater must not be located immediately below a socket outlet.
- Do not use this heater in the immediate surroundings of a bath, a shower or a swimming pool.
- If the supply cord is damaged, it must be replaced by the manufacturer, its service agent or a similarly qualified person in order to avoid a hazard.


Operating the Product

Always operate the heater in the upright position following all instructions and recommendations listed in this manual. Place the heater in the area of the room that is coldest. Plug heater directly into 220-240 volt A.C., 50Hz wall outlet. Be sure plug fits tightly in outlet. A loose connection may cause overheating and damage to the plug or heater. NOTE: To prevent overloading a circuit, do not plug the heater into a circuit that is servicing other electrical needs.

Control Panel



Operation of Control Panel

For Flame Effect only - Switch main power ON/OFF then flick switch  to ON position (-) to have the flame effect without any heater functions.

For Low Heat - Switch main power ON/OFF then flick switch "I" to ON position (-).

For High Heat - Switch main power ON/OFF then flick both switch "I" and switch "II" to ON position (-).

Thermostat Instructions

After heater has been turned on and the room has reached the desired temperature, slowly slide the thermostat wheel in an anti-clockwise direction until the heater shuts off (you should hear a faint “click”).

By leaving the thermostat at the setting, it will automatically maintain this temperature. To lower the temperature, slide the thermostat wheel in an anti-clockwise direction. To raise the temperature, slide the thermostat wheel in a clockwise direction.

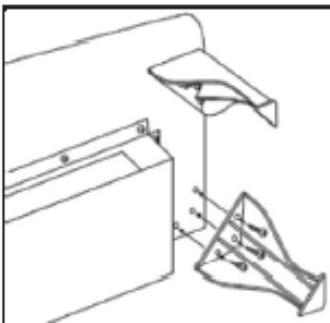
Turn the main power ON/OFF power switch OFF to discontinue use. The Low Heat switch and High Heat switch can remain in any position and will have no power. They will continue to have the same set functions when the heater is turned back on. The heater should be unplugged when not in use.

Leg Assembly

Simple assembly is required if the legs of your heater arrive disassembled. Using a screwdriver, thread three screws through the holes in each leg (as illustrated in Fig.1 below) and tighten them down counter clockwise onto the underside of the heater.

Please note extra screws are provided, you may have some left over after assembly.

Fig. 1



Cleaning, Maintenance and Storage

The heater is equipped with an automatic overheat protection device located inside the body of the heater. If the heater grille is obstructed, or if the heater gets too hot for any reason, the automatic overheat protection device will turn the heater off. To reset the heater, simply turn power off and unplug the heater for 10 minutes until it cools down and you may plug the heater in and restart the heater. Be sure that the heater is on a smooth level surface with no obstructions.

If the device still switches off, please contact your retailer as the device may need repairing.

After use and before cleaning always switch the appliance off and disconnect it and wait till the item is cool. Keep the grills clean from dust. Use a vacuum or duster to keep heat and vent area clean and dust-free.

The appliance needs only an external regular cleaning. Clean the outside surface with a clean damp cloth. Do not use harsh chemicals or abrasive cleaners.

Do not immerse the heater in water. Allow the heater to dry completely before using the heater.

This appliance is not intended for use by persons (including children) with reduced physical, sensory or mental capabilities, or lack of experience and knowledge, unless they have been given supervision or instruction concerning use of the appliance by a person responsible for their safety. Children should be supervised to ensure that they do not play with the appliance.

Do not operate the heater without the grille in place. Do not use the heater if it has malfunctioned or become damaged in any way. Do not remove the back cover of the heater as there are no user-serviceable parts.

Spare Parts and Repairs

To order replacement parts, please go to www.nettadirect.com/parts.

You will need PDC information from your product, user manual or carton box. Alternatively, go to our website and use search bar to find the parts available.

You can also find this code on the [back of this user manual](#).

For our repair service, please contact our customer support with email on support@nettadirect.com they will provide with more details of repair service with NETTA.

Disposal of Product

IMPORTANT INFORMATION FOR CORRECT DISPOSAL OF THE PRODUCT IN ACCORDANCE WITH EC DIRECTIVE 2002/96/EC.

DISPOSAL:

Please dispose of this product responsibly. This item cannot be disposed of with general waste. Please contact your local council authority for more information on how to dispose this product. If this product is disposed of with general waste, it will end up in a landfill and will leak hazardous substances into the groundwater – effecting our food chain.



Your Warranty

If you purchased with NETTADIRECT, or one of our authorised resellers, you will automatically enrol your warranty for 1 (ONE) year. You do not need to register again for your warranty. All warranties will be carried out to our terms and conditions including warranty conditions which you will find out from our website at www.nettadirect.com.

Copyrights

NETTA and its logo including images and contents in this manual and website is copyrighted. All intellectual property rights belong to NETTA owner CONSUMABLE DIRECT LIMITED.

ANY UNAUTHORISED USE, MODIFICATION or DISTRIBUTION of the NETTA logo, website image, and its contents (from website, manuals) will violate worldwide copyright, trademark and associated laws.

We reserve the right to proceed with lawsuits to anyone who is found breaching our copyrights policy. For more details, please check our website copyright policy for more information.

Product Dependency Code (PDC)

Your PDC is below:

PDC: SF-1519
SKU: 104080

NETTA is a registered trademark of CONSUMABLE DIRECT LIMITED.
Product Produced for CONSUMABLE DIRECT LIMITED M30 0QF U.K.