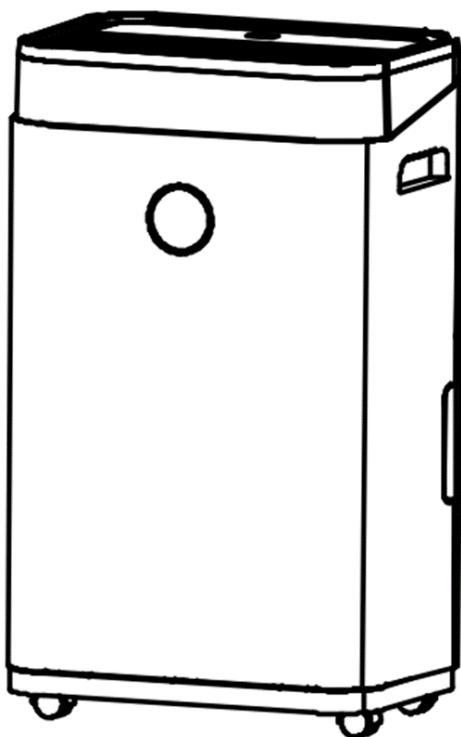


20L/25L DEHUMIDIFIER



R290

LOW NOISE
≤45dB(A)

TIMER
0-24 HOURS

CHILD-LOCK
FUNCTION

POWER
CORD
1.5M

Thank you for purchasing this NETTA product.

Please read the user manual carefully before operating this appliance.

We will update our instruction manuals if necessary.

For the most up-to-date user manual, please visit our official website: www.nettadirect.com.

You can download a copy of up to date user manuals at any time in electronic format. We do not supply you with a paper-based user manual after each revision.

**Require a larger version of this
Instruction Manual?**

**Please download electronically
from our website and use PDF
reader on your device to enlarge
the text if needed.**

www.nettadirect.com

Safety and Warnings

Intended Use

NETTA Design is for domestic and indoor use only. This product is not intended for use by people who have lack of experience and knowledge or have reduced ability, or sensory and mental capabilities.

Regular Check-Ups





Ensure the power cable and plug are not damaged before plugging into a socket.

Check all the knobs are functioning correctly.

General Warnings

The dehumidifier is used to remove excessive moisture from the air. The resulting reduction in relative humidity protects buildings and their contents from the adverse effects of excess humidity. The environmentally friendly R290 is used as the refrigerant. R290 has no damaging influence on the ozone layer (ODP), a negligible greenhouse effect (GWP) and is available worldwide. Because of its efficient energy properties, R290 is highly suitable as a coolant for this application. Special precautions must be taken into consideration due to the coolant's high flammability.

SYMBOLS FROM THE UNIT AND USER MANUAL

 <p>WARNING</p>	<p>This unit uses a flammable refrigerant. If refrigerant leaks and comes in contact with fire or A heating part, it will create harmful gas and there is risk of fire.</p>
	<p>Read the USER MANUAL carefully before operation.</p>
	<p>Further information is available in the USER MANUAL.</p>
	<p>Service personnel are required to carefully read the USER MANUAL and SERVICE MANUAL before operation.</p>

General Warnings

- This appliance can be used by children aged from 8 years and above, by people with reduced physical, sensory or mental capabilities and/or by people with lack of experience or knowledge if they have been given supervision and/or instruction concerning operating the device in a safe manner and understanding the hazards involved. Children shall not play with the appliance. Cleaning and user maintenance shall not be made by children without supervision.
- This unit is designed only for use with R-290 (propane) gas as the designated refrigerant.
- The refrigerant loop is sealed. Only a qualified technician should attempt to service this device.
- Do not discharge the refrigerant into the atmosphere.
- R-290 (propane) is flammable and heavier than air.
- It collects first in low areas but can be circulated by fans.
- If propane gas is present or even suspected, do not allow untrained personnel to attempt to find the cause.
- The propane gas used in the unit has no odour.
- The lack of smell does not indicate a gas leak.
- If a leak is detected, immediately evacuate all people from the area, ventilate the room and contact the local fire department to advise them that a propane leak has occurred.
- Do not let any people back into the room until a qualified service technician has advised that it is safe to do so.

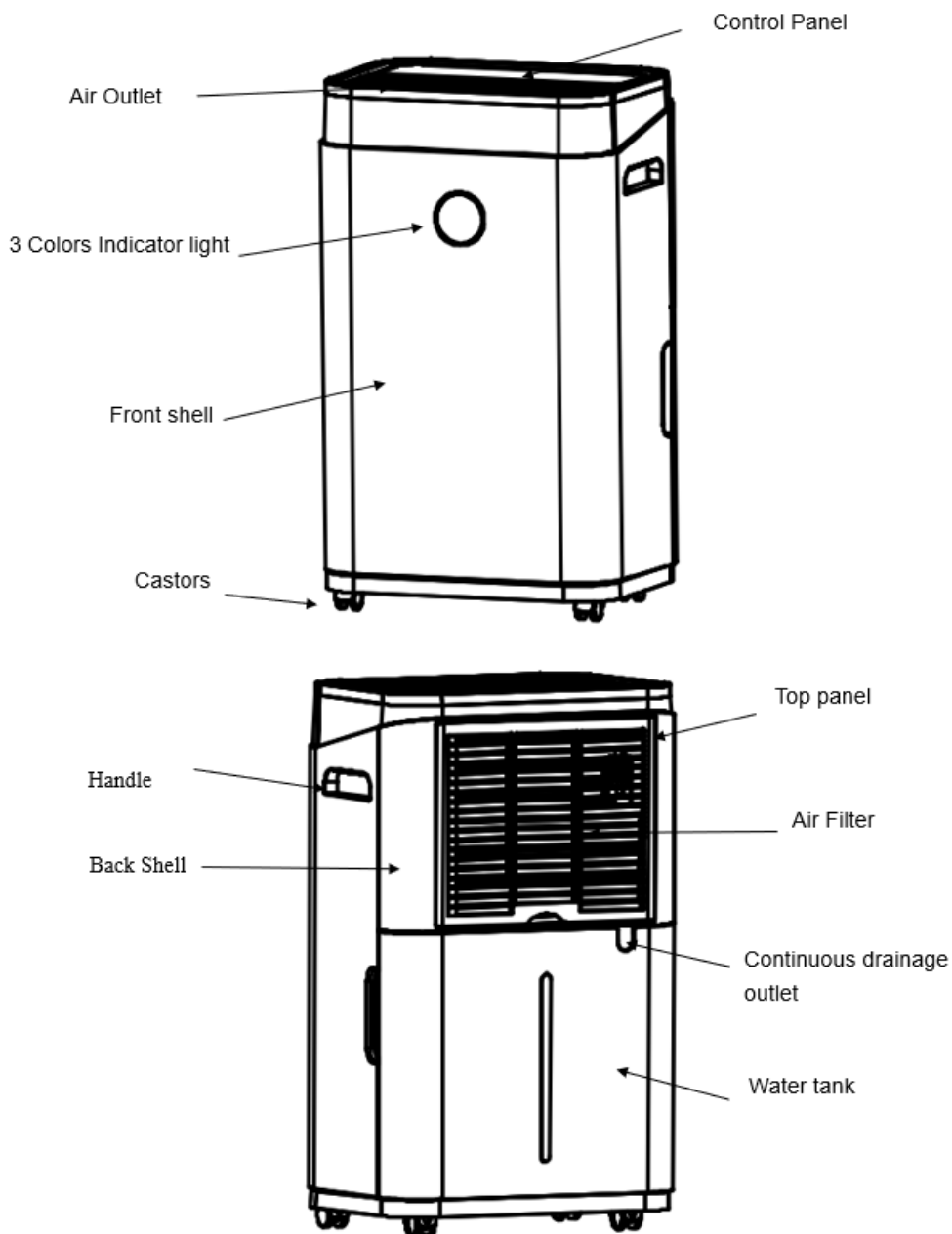
- No open flames, cigarettes or other possible sources of ignition should be used in the vicinity of the device.
- Component parts are designed for propane. They should only be replaced with identical repair parts.
- Failure to abide by these warnings could result in an explosion, death, injury and/or property damage.
- If the supply cord is damaged, it must be replaced by the manufacturer, its service agent or a similarly qualified person in order to avoid a hazard.
- The appliance should be disconnected from the power source during cleaning and maintenance.
- Always operate the unit from a power source of equal voltage, frequency and rating as indicated on the product identification plate.
- Always use a power outlet which is grounded.
- Unplug the power cord when cleaning or when not in use.
- Do not operate with wet hands. Prevent water from spilling onto the unit.
- Do not immerse or expose the unit to rain, moisture, or any other liquids.
- Do not leave the unit running whilst unattended.
- Do not tilt or turn over the unit.
- Do not unplug while the unit is operating. Do not unplug by pulling on the power cord.
- Do not use an extension cord or an adapter plug.
- Do not put objects on the unit.

- Do not climb or sit on the unit.
- Do not insert fingers or other objects into the air outlet.
- Do not touch the air inlet or the aluminium fins of the unit.
- Do not operate the unit if it has been dropped, damaged, or is showing signs of product malfunction.
- Do not clean the appliance with any chemicals.
- Ensure the unit is far away from fire, inflammable, or explosive objects.
- The unit shall be installed in accordance with nation wiring regulations.
- Do not use means to accelerate the defrosting process or to clean, other than those recommended by the manufacturer.
- The appliance shall be stored in a room without any continuous operation sources (e.g., open flames, an operating gas appliance, electric heaters).
- The appliance shall be stored to prevent mechanical damage from occurring.
- Do not pierce or burn, even after use.
- Be aware that refrigerants may not be odorous.
- Pipework shall be protected from physical damage and shall not be installed in an unventilated space, if that space is smaller than 4m².
- Compliance with national gas regulations shall be observed.
- Keep any required ventilation openings clear of obstruction.

- The appliance shall be stored in a well-ventilated area where the room size corresponds to the room area specified for operation.
- Any person who is involved with working or breaking into a refrigerant circuit should hold a current valid certificate from an industry-accredited assessment authority, which authorizes the competence to handle refrigerants safely in accordance with an industry-recognised assessment specification.
- Servicing shall only be performed as recommended by the equipment manufacturer. Maintenance and repair requiring the assistance of other skilled personnel shall be carried out under the supervision of the person competent in the use of flammable refrigerants.
- Prior to beginning work on systems containing flammable refrigerants, safety checks are necessary to ensure that the risk of ignition is minimised. For repair to the refrigerating system, the following precautions shall be complied with prior to conducting work on the system:
 - Work shall be undertaken under a controlled procedure as to minimise the risk of a flammable gas being present while the work is being performed.
 - All maintenance staff and others working in the area shall be instructed on the nature of work being carried out. Work in confined spaces shall be avoided. The area around the workspace shall be sectioned off. Ensure that the conditions within the area have been made safe by control of flammable material.
- The area shall be checked with an appropriate refrigerant detector prior to and during work, to ensure the technician is aware of potentially flammable atmospheres. Ensure that the leak detection equipment being used is suitable for use with flammable refrigerants i.e., no sparking, adequately sealed.

- If any hot work is to be conducted on the refrigeration equipment or any associated parts, appropriate fire extinguishing equipment shall be available to hand. Use a dry powder or CO2 fire extinguisher.
- No person carrying out work in relation to a refrigerant system which involves exposing any pipework that contains or has contained flammable refrigerant shall use any sources of ignition in such a manner that it may lead to the risk of fire or explosion. All possible ignition sources, including cigarette smoking, should be kept sufficiently far away from the site of installation, repair, removal and/or disposal, during which flammable refrigerant can possibly be released to the surrounding space. Prior to work taking place, the area around the equipment is to be surveyed to make sure that there are no flammable hazards or ignition risks. “No Smoking” signs should be displayed.
- Ensure that the area is in the open or that it is adequately ventilated before breaking into the system or conducting any hot work. A degree of ventilation shall continue during the period that the work is carried out. The ventilation should safely disperse any released refrigerant and preferably expel it externally into the atmosphere.
- When electrical components are being charged, they shall be fit for purpose and to the correct specification. At all times, the instruction manual should be followed. If in doubt, consult the retailer. The following checks shall be applied to installations using flammable refrigerants: the charge size is in accordance with the room size within which the refrigerant containing parts are installed; the ventilation machinery and outlets are operating adequately and are not obstructed; if an indirect refrigerating circuit is being used, the secondary circuit shall be checked for the presence of refrigerants; markings on the equipment continue to be visible and legible; refrigeration pipe or components are installed in a position where they are unlikely to be exposed to any substance which may corrode refrigerant containing components, unless the components are constructed of materials which are inherently resistant to being corroded or are suitably protected against being corroded.

Product Overview

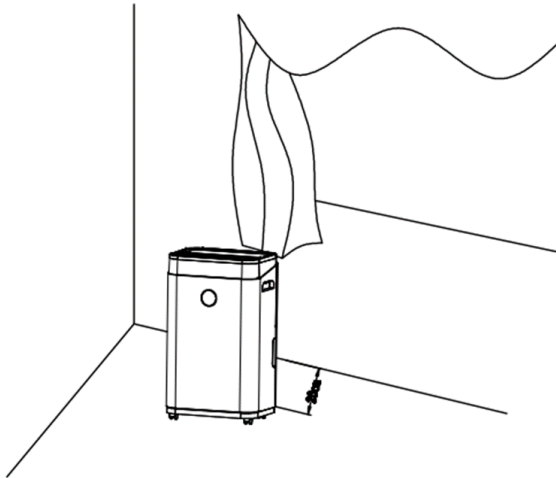


Installing the Product

Location

Place the unit on a firm, level surface in an area with at least 30cm of free space around it to allow proper air circulation.

Never install the unit where it could be subject to heat sources (such as radiators, stoves, etc), in an area where oil or water may be splashed, direct sunlight, mechanical vibration or shock, excessive dust, lack of ventilation (such as a bookcase) or an uneven surface.



WARNING Install the unit in rooms which exceed 4 m².
Do not install the unit in a place where inflammable gas may leak.



NOTE The manufacture may provide other suitable example or may provide additional information about the refrigerant odour.

Installing the Product

Operating the Device Safely

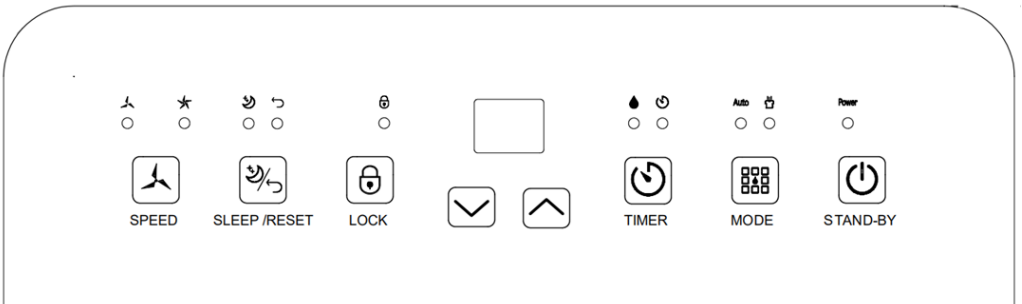
- Check the device after unpacking for any damage or scratches on it.
- Operate this unit in an ambient temperature from 5°C to 35°C.
- Do not use outdoors. This device is intended for indoor residential applications only.
- Do not operate near walls, curtains, or other objects that may block the air inlet and outlet.
- Keep the air inlet and outlet free of obstacles.
- Adjust the wind deflector to the upward direction prior to start-up.
- If tipped more than 45°, allow the unit to sit upright for at least 24 hours before start-up.
- Keep doors and windows closed for better energy saving.
- Do not operate or store the unit in direct sunlight or rain.
- It is normal for the air outlet to feel warm after continuous operation on hot days.
- Empty the water tank before moving the device.
- Make sure the water tank is fitted correctly or the unit will not operate properly.
- The device will start up in the mode selected when it was last used.
- There is a protective 3-minute delay of the compressor. Wait 3 minutes for the device to resume dehumidification.

Operating the Product

Three-Colours Indicator Light

- If the ambient humidity is below 45%, the light will show blue.
- If the ambient humidity is between 45%-65%, the light will show green.
- If the ambient humidity is above 65%, the indicator light will show red.

Control Panel



Stand-By Button

Press the 'Stand-By' button to turn the machine on. The default fan speed is high and the default humidity setting is 50%. When the machine is running, press the 'Stand-By' button to turn it off – the compressor will stop immediately and the fan will shut down after around 30 seconds.

 **Mode Button**

Press the Mode button to switch between 'Auto' and 'Continuous' dehumidifying modes.

Auto Mode: When the ambient humidity is more than 3% over the set humidity, the fan and compressor will start working. When the ambient humidity is less than 3% over the set humidity, the fan and compressor will stop working. The fan speed and humidity setting can be adjusted under 'Auto' mode.

Continuous Mode: In this mode, the device will continue to run on high fan speed and the default humidity setting is 20%. The fan speed and humidity setting cannot be adjusted.

**Sleep/Reset Button**

Press the 'Sleep/Reset' button to activate 'Sleep' mode. Press the button again to turn 'Sleep' mode off.

In 'Sleep' mode, the fan speed will be switched to low and after 10 seconds, all indicator lights and the display screen will be switched off.

When the room humidity is less than 57%, the compressor and the fan will stop working.

When the room humidity is more than 63%, the fan and compressor will start working.

The fan speed setting function and humidity setting function cannot be changed in this mode.

In 'Sleep' mode, when the water tank is full, the machine will not alarm but rather the water tank full indicator light will be on (red) to remind you that the water tank is full and needs emptying.

Press and hold the 'Sleep/Reset' button for 3 seconds to reset the air filter. When the machine has worked for 600 hours, the air filter indicator light will turn on to remind you to clean the air filter. The machine will not work until you clean and the air filter and reset the unit.



Timer Button

Press the 'Timer' button to set the timer function (0-24H). Each interval lasts 1 hour. Each time you press the 'Add' or 'Minus' buttons, the value increases or decreases by 1 hour respectively. The corresponding timing value will be displayed on the screen.

When the device is on, set the timer function to countdown to turn the device off. When the device is in stand-by mode, set the timer function to countdown to turn the device on.

After the timer has been set, the timer indicator light will be on during the timing period. When the timer finishes, the timer indicator light will turn off.

To cancel the timer function, set the value to "00". The indicator light will turn off.



Fan Speed Button

Press this button to switch the fan speed between high and low. The corresponding indicator light will be on. The fan speed can only be adjusted in 'auto' mode.



Add Button

Press this button to set the timer and humidity levels. To adjust the humidity, press this button once to add 5% humidity. The humidity increases in the following sequence: 30% - 35% - 40% - 45% - 50% - 55% - 60% - 65% - 70% - 75% - 80% - 30%.

To adjust the timer, select 'Timer' then press this button once to add 1 hour. The timer increases in the following sequence: 00-01-02-03-04-05-06-07-08-09-10-11-12-13-14-15-16-17-18-19-20-21-22-23-24-00.



Minus Button

Press this button to set the timer and humidity levels. To adjust the humidity, press this button once to lower the humidity by 5%. The humidity decreases in the following sequence: 80% - 75% - 70% - 65% - 60% - 55% - 50% - 45% - 40% - 35% - 30% - 80%.

To adjust the timer, select 'Timer' then press this button once to decrease by 1 hour. The timer decreases in the following sequence: 24-23-22-21-20-19-18-17-16-15-14-13-12-11-10-09-08-07-06-05-04-03-02-01-00-24.



Child-Lock

When the machine is running, press and hold this button for 3 seconds to operate the child-lock function. The indicator light will be on and you will not be able to operate any other buttons. To turn the function off, press and hold the button again for 3 seconds. The indicator light will turn off.

Cleaning, Maintenance and Storage

Drainage

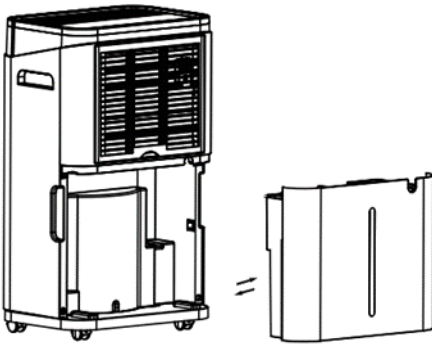
There are two ways of removing water collected by the unit.

- A. Manual Drainage: Empty the water tank manually.
- B. Continuous Drainage: Use gravity to drain water by attaching a drain hose.

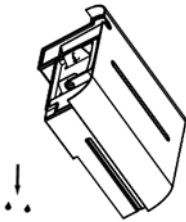
Manual Drainage

The water tank will fill up and shut the unit down once it is full. It will only run again once you empty the water tank and re-install it.

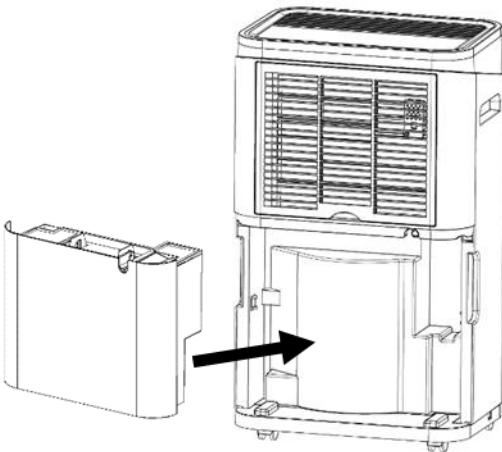
1. When the water tank is full, the machine will buzz 5 times and the 'Water Tank Full' indicator light will be on.
2. Press the 'Stand-By' button to turn off the unit.
3. Pull on the water tank and slide it out of the body of the dehumidifier.
4. Empty the water into an area with a drain or outside.
5. Clean the inside of the tank as well as the outside.
6. Replace the empty tank back into the unit.
7. Press the power button to resume operation.
8. If the 'Water Tank Full' light does not turn off, check that the float is correctly in place.



Pull out the water tank.



Empty the water tank.



Replace the empty tank back into the unit.

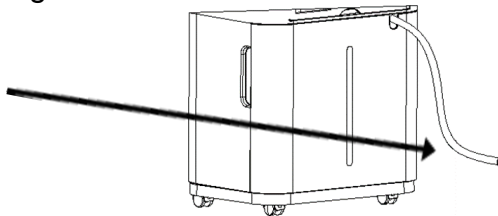
Warning!

1. Do not discard the magnets and plastic rivets in the tank. Otherwise, the dehumidifier cannot be started, or the machine will not automatically stop working when the water tank is full, and the condensed water will overflow and possibly cause damage to your property.
2. If the water tank is dirty, please rinse it with clean water. Avoid using detergents, steel wire balls, chemical dust removers, diesel, benzene, etc. otherwise it can cause damage to the tank which may result in leakage.

Continuous Drainage

1. Take out the PVC drainpipe and straighten it out.
2. Insert one end of the drainpipe into the drain outlet at the top of the tank and connect the other end to where you want the condensed water to go.

Drainage Pipe



Warning!

1. Do not block the drainage outlet or pipe. If blocked, the water may overflow and leak.
2. Do not bend the drainpipe. The height of the drainpipe should be lower than the drainage outlet.
3. The drainpipe must be firmly connected to the drainage outlet.
4. Do not submerge the end of the drainage pipe into water as this may cause an 'air lock' in the pipe, resulting in an unsmooth water flow and possible leakage.

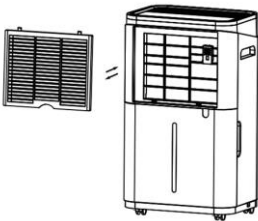
Maintenance

Before cleaning and maintaining the machine, be sure to turn off the machine and unplug the power to avoid electric shock.

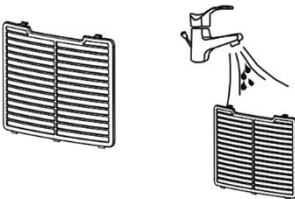
Cleaning the Air Filter (Every 2 Weeks)

Dust collects on the filter and restricts the airflow. The restricted airflow reduces the efficiency of the system and if it becomes blocked it can cause damage to the unit.

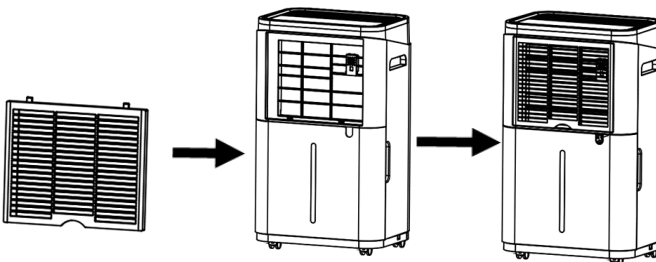
The air filter requires regular cleaning. The air filter is removable for easy cleaning. Do not operate the unit without an air filter or the evaporator may be contaminated.



Switch off the unit and remove the air filter.



Rinse under running water or use a vacuum to clean the dust.



Re-assemble the air filter.

Troubleshooting

SYMPTOM	INSPECTION	SOLUTION
The unit is not operating.	Check the power connection is secure.	Insert the power cord securely into the wall outlet.
	Check if the 'Water Tank Full' indicator light is on.	Empty the water tank and re-install correctly.
	Check the room temperature.	The range of operating temperature is 5-35°C.
There is little formation of condensation.	Check if the air filter is clogged by dust.	Clean the air filter.
	Check if the air inlet /outlet is obstructed.	Remove the obstruction from the air inlet/outlet.
	Check if the room temperature is below 20°C.	This is normal. The device will defrost in low temperature environments.
	Set humidity level is higher than the current humidity value.	Set the humidity level below the current humidity value.
Water Leakage.	Overflow when moving the unit.	Empty the water tank before transporting.
	Check if the drainpipe is kinked or bent.	Straighten the hose to avoid a trap existing.
Excessive Noise.	Check if the unit is securely positioned.	Place the unit on horizontal and firm ground.
	Check for any loose, vibrating parts.	Secure and tighten the loose parts.
	Noise sounds like water flowing.	Noise is coming from flowing refrigerant. This is normal.

Error Code – E2.	Humidity sensor failed or dampened.	Clean or replace the humidity sensor.
Error Code – CL.	Display when room temperature is below 5°C.	This is normal. The compressor and fan will stop working under these conditions.
Error Code – CH.	Display when room temperature is below 35°C.	This is normal. The compressor and fan will stop working under these conditions.
Error Code – LO.	Display when the ambient humidity is below 20%.	This is normal. The compressor and fan will stop working under these conditions.
Error Code – HI.	Display when the ambient humidity is above 90%.	This is normal. The compressor and fan will keep working under these conditions.

Spare Parts and Repairs

To order replacement parts, please go to www.nettadirect.com/parts.

You will need PDC information from your product, user manual or carton box. Alternatively, go to our website and use search bar to find the parts available.

You can also find this code on the [back of this User Manual](#).

For our Repair Service, please contact our customer support with email on support@nettadirect.com they will provide with more details of repair service with NETTA.

Disposal of Product

IMPORTANT INFORMATION FOR CORRECT DISPOSAL OF THE PRODUCT IN ACCORDANCE WITH EC DIRECTIVE 2002/96/EC.

DISPOSAL:

Please dispose of this product responsibly. This item cannot be disposed of with general waste. Please contact your local council authority for more information on how to dispose this product. If this product is disposed of with general waste, it will end up in a landfill and will leak hazardous substances into the groundwater – effecting our food chain.



Your Warranty

If you purchased with NETTADIRECT, or one of our authorised resellers, you will automatically enrol your warranty for 1 (ONE) year. You do not need to register again for your warranty. All warranties will be carried out our terms and conditions including warranty conditions which you can find out from our website at www.nettadirect.com.

Copyrights

NETTA and its logo including images and contents in this manual and website is copyrighted. All intellectual property rights belong to NETTA owner CONSUMABLE DIRECT LIMITED.

ANY UNAUTHORISED USE, MODIFICATION or DISTRIBUTION of the NETTA logo, website image, and its contents (from website, manuals) will violate worldwide copyright, trademark and associated laws.

We reserve the right to proceed with lawsuits to anyone who is found breaching our copyrights policy. For more details, please check our website copyright policy for more information.

Product Dependency Code (PDC)

Your PDC is below:

PDC: OL20-BD030AM / OL25-BD030AM
SKU: 103950 / 103951

NETTA is a registered trademark of CONSUMABLE DIRECT LIMITED.
Product Produced for CONSUMABLE DIRECT LIMITED M30 0QF U.K.