

ARCH STOVE HEATER



**RATED
POWER**
1850W-1950W

**HEAT
SETTINGS**
TWO

**THERMAL
CUT-OFF**

WEIGHT
5.5KG

Thank you for purchasing this NETTA product.

Please read the user manual carefully before operating this appliance.

We will update our instruction manuals if necessary.

For the most up-to-date user manual, please visit our official website: www.nettadirect.com.

You can download a copy of up to date user manuals at any time in electronic format. We do not supply you with a paper-based user manual after each revision.

Require a larger version of this Instruction Manual?

Please download electronically
from our website and use PDF
reader on your device to enlarge
the text if needed.

www.nettadirect.com

Safety and Warnings

Intended Use

NETTA Design is for domestic and indoor use only. This product is not intended for use by people who have lack of experience and knowledge or have reduced ability, or sensory and mental capabilities.

Regular Check-Ups

Ensure the power cable and plug are not damaged before plugging into a socket.

Check all the knobs are functioning correctly.

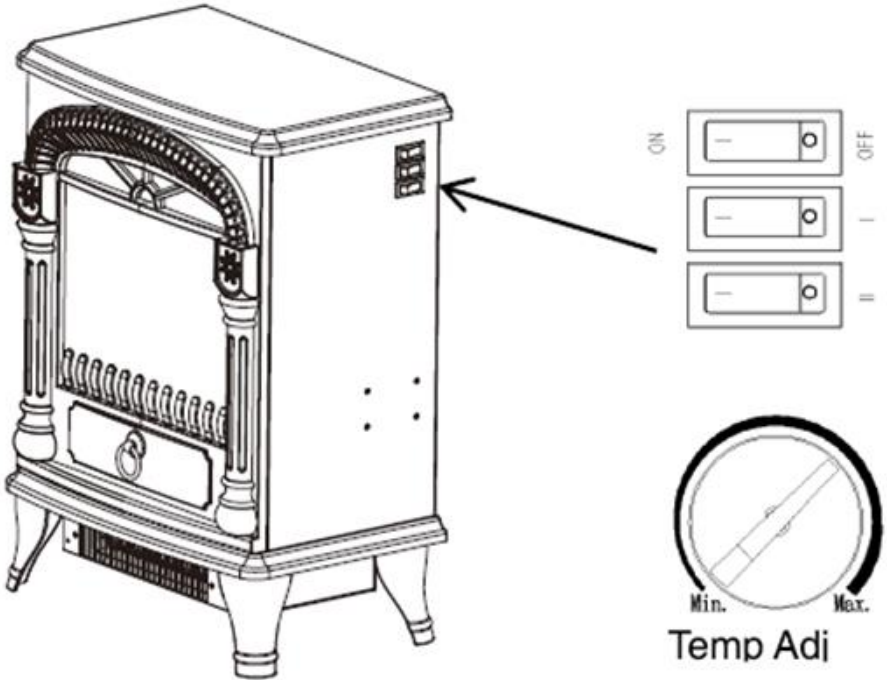
General Warnings

- The product cannot be used outdoors.
- Ensure the plug is connected to the mains socket securely.
- No items should cover or block the fireplace vent in any way.
- Furniture, curtains and flammable materials should be kept at least 1 metre away from the fireplace.
- Cut off the power immediately if there is something wrong.
- Please turn off the power if the appliance is not being used for a long time.
- Do not put the power cord in front of the fireplace.
- Although the appliance has reached high safety standards, we do not recommend using it on shag-pile carpet or rugs.
- The appliance must be placed on the ground.
- The fireplace must be used under the correct voltage rating.

General Warnings

- This fireplace has tip-over protection. If the unit falls over, the power will be cut off.
- In order to avoid overheating, do not cover the fireplace.
- The heater must not be located directly below the socket outlet.
- Do not use this heater around water.
- This appliance can be used by children aged 8 and above and by people with reduced physical, sensory or mental capabilities as long as they have been given instructions and understand the hazards involved. Children should not play with the appliance. Cleaning and maintenance should not be made by children without supervision.
- Do not use this appliance with an external switching device (such as a timer).
- If the supply cord is damaged, please contact the retailer. Do not use the appliance with a damaged cord.
- This heater does not have a device that monitors room temperature. Due to this, this appliance should not be used in small rooms when they are occupied by people who cannot leave the room on their own or who are susceptible to overheating.
- Children under 3 should be kept away from this appliance.
- Some parts of this product can become hot and cause burns. Please pay attention when young and vulnerable people are around the appliance.
- This product is only suitable for well-insulated spaces and for occasional use.

Operating the Product



- Plug the appliance into the socket.
- The control switches are on the right side of the appliance.
- For the flame effect, turn the on/off switch 'on'.
- For low level heat, turn switch on switch 'I'.
- For full heating, turn on switch 'I' and 'II'.
- For temperature control, turn the 'temp adj' switch.

Thermostat Instructions

The thermostat will constantly maintain the pre-programmed temperature.

Firstly, turn the temperature control switch to the right, towards the maximum value. Leave the switch in this position until the air in the room has reached the desired temperature.

Cleaning, Maintenance and Storage

Overheating

If the heater stops working, turn the heater off and inspect for any blockages of the inlet or outlet.

Disconnect the plug and wait at least 10 minutes before attempting to restart the heater.

If the device still switches off, please contact your retailer as the device may need repairing.

Cleaning

- Always disconnect the appliance from the mains supply before cleaning.
- Clean the outside of the heater by wiping with a damp or dry cloth.
- Do not use petroleum, any detergent or chemical solvents to clean the heater.
- When the heater is not used for a long time, it should be protected from dust and stored in a clean dry place.

Spare Parts and Repairs

To order replacement parts, please go to www.nettadirect.com/parts.

You will need PDC information from your product, user manual or carton box. Alternatively, go to our website and use search bar to find the parts available.

You can also find this code on the [back of this User Manual](#).

For our Repair Service, please contact our customer support with email on support@nettadirect.com they will provide with more details of repair service with NETTA.

Disposal of Product

IMPORTANT INFORMATION FOR CORRECT DISPOSAL OF THE PRODUCT IN ACCORDANCE WITH EC DIRECTIVE 2002/96/EC.

DISPOSAL:

Please dispose of this product responsibly. This item cannot be disposed of with general waste. Please contact your local council authority for more information on how to dispose this product. If this product is disposed of with general waste, it will end up in a landfill and will leak hazardous substances into the groundwater – effecting our food chain.



Your Warranty

If you purchased with NETTADIRECT, or one of our authorised resellers, you will automatically enrol your warranty for 1 (ONE) year. You do not need to register again for your warranty. All warranties will be carried out to our terms and conditions including warranty conditions which you can find out from our website at www.nettadirect.com.

Copyrights

NETTA and its logo including images and contents in this manual and website is copyrighted. All intellectual property rights belong to NETTA owner CONSUMABLE DIRECT LIMITED.

ANY UNAUTHORISED USE, MODIFICATION or DISTRIBUTION of the NETTA logo, website image, and its contents (from website, manuals) will violate worldwide copyright, trademark and associated laws.

We reserve the right to proceed with lawsuits to anyone who is found breaching our copyrights policy. For more details, please check our website copyright policy for more information.

Product Dependency Code (PDC)

Your PDC is below:

PDC: SF-1516
SKU: 103690

NETTA is a registered trademark of CONSUMABLE DIRECT LIMITED.
Product Produced for CONSUMABLE DIRECT LIMITED M30 0QF U.K.