

# DEEP FILL TOASTIE MAKER



**RATED  
POWER**  
900W

**WEIGHT**  
2KG

**HINGED  
LID**

**WARRANTY**  
365 DAYS

**Thank you for purchasing this NETTA product.**

Please read the user manual carefully before operating this appliance.

We will update our instruction manuals if necessary.

For the most up-to-date user manual, please visit our official website:  
[www.nettdirect.com](http://www.nettdirect.com).

You can download a copy of up-to-date user manuals at any time in electronic format. We do not supply you with a paper-based user manual after each revision.

## Require a larger version of this Instruction Manual?

Please download electronically from our website and use PDF reader on your device to enlarge the text if needed.

[www.nettdirect.com](http://www.nettdirect.com)

# SAFETY & WARNINGS

## INTENDED USE

NETTA Design is for domestic and indoor use only. This product is not intended for use by people who have lack of experience and knowledge or have reduced ability, or sensory and mental capabilities.

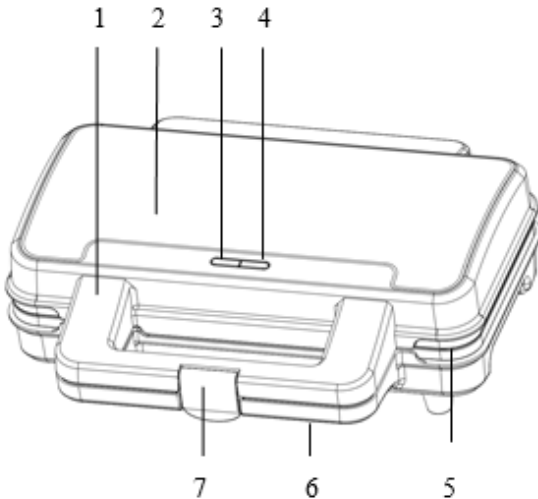
## REGULAR CHECKUPS

- Ensure cables and plugs are not damaged before plugging in.
- Check all the knobs are functioning correctly.

## GENERAL CAUTIONS

- Read all instructions.
- Use only on AC220-240V – For household use only.
- Do not touch hot surfaces. Use the handles.
- To protect against risk of electric shock, do not immerse the cord, plug or cooking unit in water or any other liquid.
- Close supervision is necessary when any appliance is used by or near children.
- Unplug from the outlet when not in use and before cleaning. Allow to cool before putting on or taking off parts and before cleaning the appliance.
- Do not operate any appliance that has malfunctioned or been damaged in any way. Never try and fix the appliance yourself. If faulty, you must contact the seller.
- Do not use outdoors or for commercial purposes.
- Do not let the power cord hang over the edge of a table or counter and do not let it touch hot surfaces.
- Do not place on or near a hot gas or electric burner or heated oven.
- Do not operate with an external timer or remote-control system.
- Unplug the unit when finished using.
- Extreme caution must be exercised when moving an appliance.
- Children should not play with the appliance. Cleaning and user maintenance should not be made by children without supervision.

## DIAGRAM OF PRODUCT



1. Upper Housing
2. Decorative plates
3. Power Light
4. Ready Light
5. Non-stick Cooking Plates
6. Bottom Housing
7. Handle Lock

## BEFORE FIRST USE

- Read all instructions carefully and keep them for future reference.
- Remove all packaging.
- Clean the cooking plates by wiping with a damp cloth or sponge.
- Do not immerse the unit in water or run water directly on to it.
- Dry with a cloth or paper towel.
- For the best results, lightly coat the cooking plates with oil.

**When your toastie maker is heated for this first time, it may emit a slight smoke or odour. This is normal and does not affect the safety of your appliance.**

## HOW TO USE

- Close the toastie maker and plug into the correct power socket. You will notice that the 'ready' light will come on, indicating that the Panini Grill has begun preheating.
- It will take approximately 3 minutes to reach baking temperature and then the 'ready' light will go off.
- Open the toastie maker and put the food on the bottom cooking plate.
- Close the toastie maker. The 'ready' light will go on again.
- Cook for about 2-4 minutes and then the 'ready' light will go off again. Adjust the time to suit your own individual taste.
- When the food is cooked, use the handle to open the lid. Remove the food with the help of a plastic spatula. Never use metal tongs or a knife as these can cause damage to the non-stick coating of the cook plates.
- Once finished cooking, disconnect the plug from the wall outlet and leave unit open to cool.

## STORAGE

- Always unplug the toastie maker before storage.
- Always make sure the toastie maker is cool and dry before storing.

## CLEANING

- Always unplug the toastie maker and allow it to cool before cleaning. The unit is easier to clean when slightly warm. There is no need to disassemble the panini grill for cleaning. Never immerse the toastie maker in water or put in a dishwasher.
- Wipe cooking plates with a damp cloth to remove food residue. For baked on food residue, squeeze some warm water mixed with detergent over the food residue then clean with a non-abrasive plastic scouring pad or place wet kitchen paper over the grill to moisten the food residue.
- Do not use anything abrasive that can scratch or damage the non-stick coating.
- Do not use metal utensils to remove your foods as they can damage the non-stick surface.
- Wipe the outside of the toastie maker with a damp cloth only.
- Remove and empty the drip tray after each use and wash the tray in warm, soapy water. Avoid the use of scouring pads or harsh detergents as they may damage the surface.
- Rinse and dry thoroughly with a clean cloth.

## SPARE PARTS/REPAIR

---

To order replacement parts, please go to [www.nettdirect.com/parts](http://www.nettdirect.com/parts).

You will need PDC information from your product, user manual or carton box. Alternatively, go to our website and use search bar to find the parts available.

You can also find this code on the [back of this User Manual](#).

For our Repair Service, please contact our customer support with email on [support@nettdirect.com](mailto:support@nettdirect.com) they will provide with more details of repair service with NETTA.

## DISPOSAL OF PRODUCT

---

### IMPORTANT INFORMATION FOR CORRECT DISPOSAL OF THE PRODUCT IN ACCORDANCE WITH EC DIRECTIVE 2002/96/EC.

#### **DISPOSAL:**

Please dispose of this product responsibly. This item cannot be disposed of with general waste. Please contact your local council authority for more information on how to dispose this product. If this product is disposed of with general waste, it will end up in a landfill and will leak hazardous substances into the groundwater – effecting our food chain.



## YOUR WARRANTY

---

If you purchased with NETTADIRECT, or one of our authorised resellers, you will automatically enrol your warranty for 1 (ONE) year. You do not need to register again for your warranty. All warranties will be carried out to our terms and conditions including warranty conditions you can find out from our website at [www.nettdirect.com](http://www.nettdirect.com).

## COPYRIGHTS

---

NETTA and its logo including images and contents in this manual and website is copyrighted. All intellectual property rights belong to NETTA owner CONSUMABLE DIRECT LIMITED.

ANY UNAUTHORISED USE, MODIFICATION or DISTRIBUTION of the NETTA logo, website image, and its contents (from website, manuals) will violate worldwide copyright, trademark, and associated laws.

We reserve the right to proceed with lawsuits to anyone who is found breaching our copyrights policy. For more details, please check our website copyright policy for more information.

## PRODUCT DEPENDENCY CODE (PDC)

---

Your PDC is below:

**PDC: SW-2096M**  
**SKU: 103646**

NETTA is a registered trademark of CONSUMABLE DIRECT LIMITED.  
Produced in China for CONSUMABLE DIRECT LIMITED M30 0QF U.K.