

7.2V GRASS SHEAR AND HEDGE TRIMMER WITH POLE



**RATED
POWER**
7.2V

NET WEIGHT
1.6KG

CHARGE TIME
3-5 hours

**NO-LOAD
OPERATION
TIME**
45 mins

Thank you for purchasing this NETTA product.

Please read the user manual carefully before operating this appliance.

We will update our instruction manuals if necessary.

For the most up-to-date user manual, please visit our official website: www.nettadirect.com.

You can download a copy of up to date user manuals at any time in electronic format. We do not supply you with a paper-based user manual after each revision.

**Require a larger version of this
Instruction Manual?**

**Please download electronically
from our website and use PDF
reader on your device to enlarge
the text if needed.**

www.nettadirect.com

SAFETY & WARNINGS...

INTENDED USE

This product has been designed to trim hedges, shrubs, and grass in residential gardens. It is not for use in public parks, sports grounds, agriculture, or forestry. Failure to use this product as intended will void the warranty.

REGULAR CHECKUPS

Check the power cable each time before plugging into a socket for any signs of damage and check all the knobs and buttons are functioning correctly.

GENERAL CAUTIONS

- Always follow this instruction manual and go through all the safety checks.
- This is not toy - do not let children play with it.
- Do not modify this product in any way.
- Keep work areas clean and well lit.
- Do not operate tools in explosive atmospheres.
- Before using an electric powered appliance, check the rating label and voltage information on this manual, or the rating label on back of the machine.
- Always connect the machine to a socket with Residual Current Device (RCD) fitted with your home circuits.
- If you are unsure, please seek a certified electrician for advice.
- The appliance must not be immersed in liquid.

GENERAL CAUTIONS (cont.)

- Do not use power tools in wet or damp conditions.
- Do not overload your power tools. Match each tool to the task.
- Do not use any power tool if the on/off switch is damaged.
- Check that the moving parts of your tool operate smoothly and are not cracked or damaged.

RISK OF PERSONAL INJURY

- Do not use the appliance other than for the intended use.
- Do not operate any appliance with a damaged cord or plug or after the appliance malfunctions or is dropped or damaged in any manner. Return appliance to the nearest authorized service facility for examination, repair or electrical or mechanical adjustment.
- Use personal protective equipment. Always use eye protection.
- Use ear protection.
- Do not wrap the machine in a cloth or other material to suppress noise. This will hinder the proper ventilation of the machine. This could ignite a fire and cause burns.
- Wear soft gloves when using this tool to prevent discomfort.

RISK OF PERSONAL INJURY (cont.)

- Hold the power tool firmly to reduce the vibration levels.
- Ensure the switch is in the off position before connecting to a power source, picking up or carrying the tool.
- Remove any adjusting keys before turning the tool on.
- Do not overreach. Keep proper balance at all times.
- Do not wear loose clothing or jewellery.
- Take a break if you feel vibration-related discomfort.
- If the supply cord is damaged it must be replaced by the manufacturer or an authorized service agent or a qualified technician in order to avoid a hazard.
- The use of accessories is not recommended by the manufacturer as they may cause injuries to persons.
- Do not let the cord hang over the edge of a table or counter or touch a hot surface.
- Do not place on or near a hot gas or electric burner or in a heated oven.
- Unplug from outlet when not in use and before cleaning.

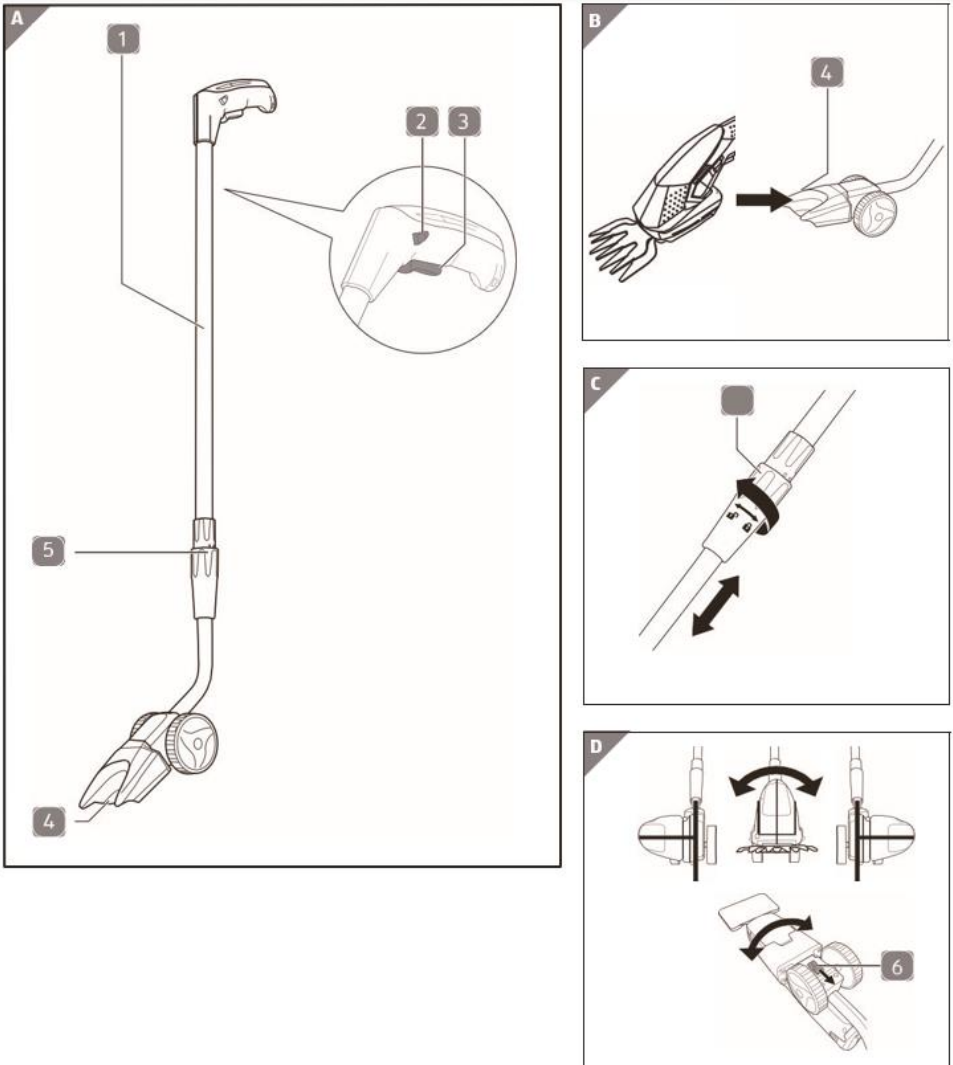
PRODUCT OVERVIEW



1. On/Off Switch
2. Charging Socket
3. Ergonomic Grip
4. Lock-Off Button
5. Blade Shield
6. Grass Shearing Blade
7. Hedge Trimmer Blade
8. Safety Lock

NOTE: PLEASE PULL OUT THE SAFETY LOCK (8) BEFORE CHANGING BLADES.

PRODUCT OVERVIEW (cont.)



- 1. Extension Pole
- 2. Safety Switch Block (Extension Rod)
- 3. Switch (Extension Rod)
- 4. Machine Frame
- 5. Lock Sleeve

ASSEMBLING THE PRODUCT

1. To install or replace the blade, place the machine on a solid surface. Turn the machine upside down with one hand and gently push the blade shield with the other hand. Then move the blade shield (Photo 3).

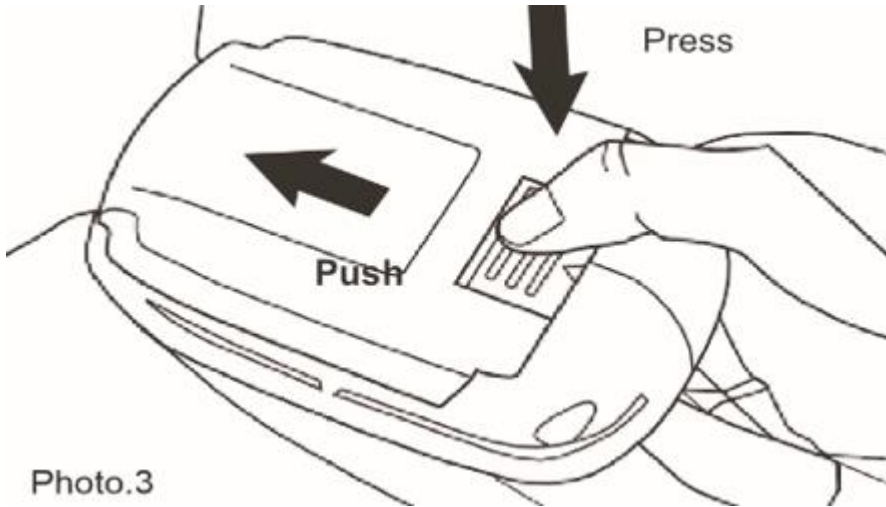


Photo.3

2. Gently lift the blade up to remove it from the machine (Photo 4).

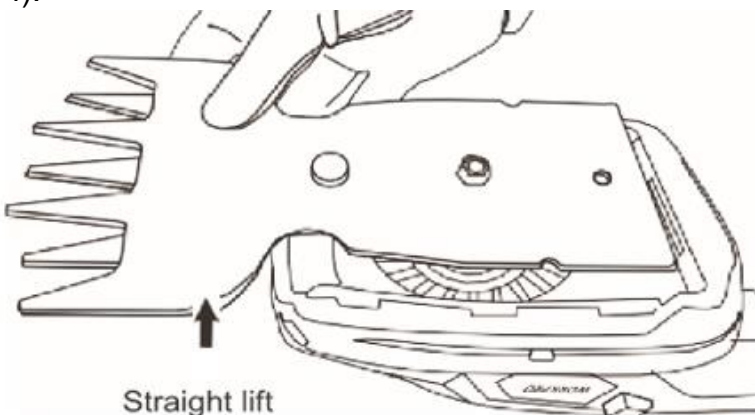


Photo.4

ASSEMBLING THE PRODUCT (cont.)

3. Insert the required blade into the machine (Photo 5).

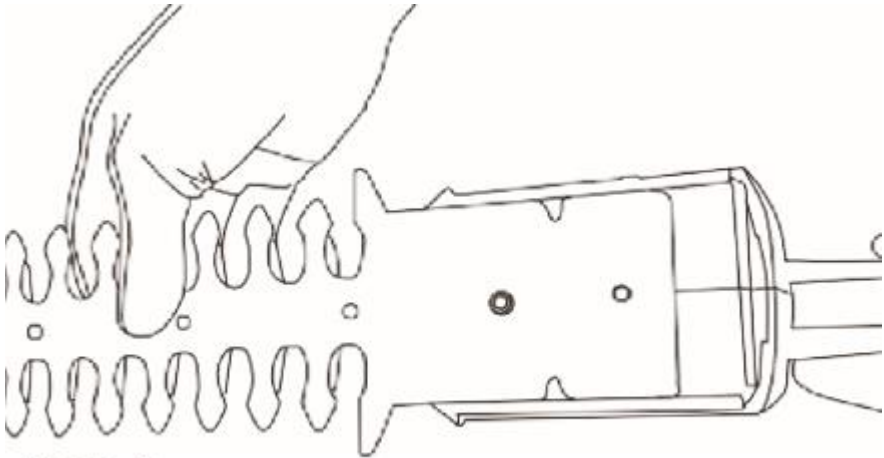


photo. 5

4. Align the centre-edge tooth roll with the gear in the centre of the machine so that the blade lies flat on the housing and an appropriate fit is ensured (Photo 6).

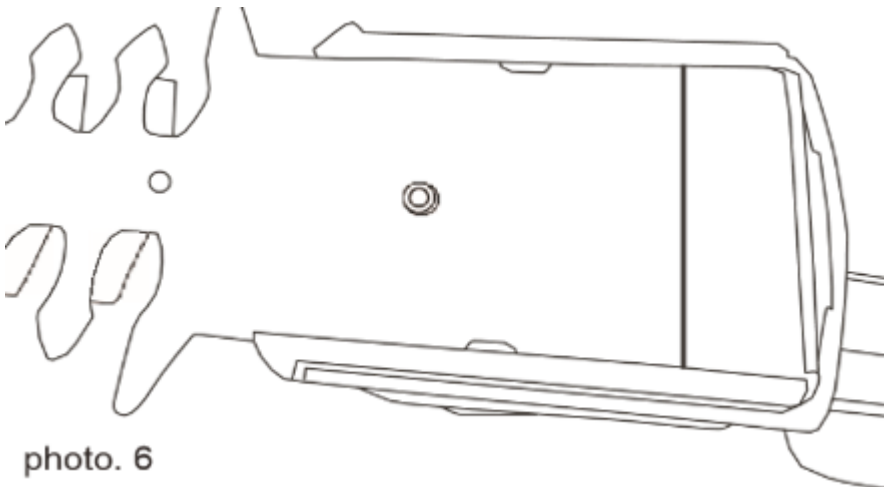


photo. 6

ASSEMBLING THE PRODUCT (cont.)

5. When the blade is in the appropriate position, the blade shield can be replaced (Photo 7).

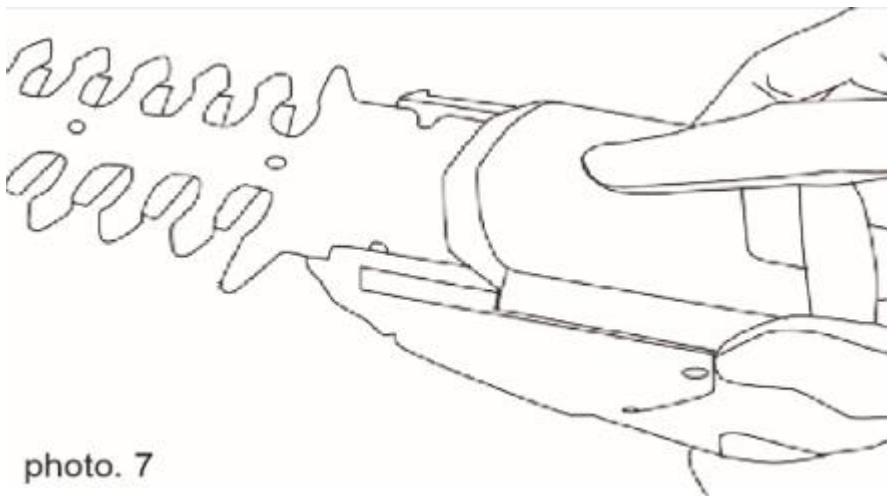


photo. 7

6. Move the blade shield forward until it clicks into place. The machine is now ready for use (Photo 8.)

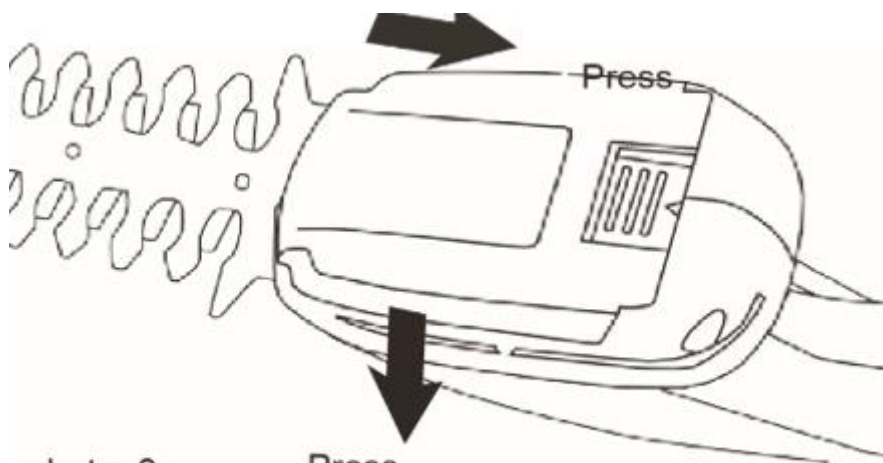


photo. 8

Press

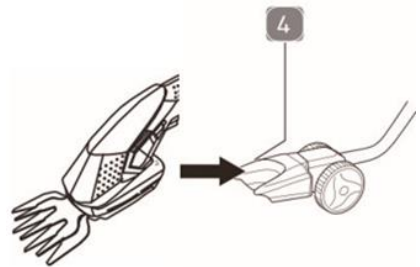
USING OF THE EXTENSION POLE

Installation of the Extension Pole

Warning! The extension pole can only be used with the blade of the grass shear. It should not be used with the hedge trimmer blade.

The extension pole has been designed for convenient and comfortable lawn mowing in difficult places and/or to stop you bending over.

1. Attach the extension pole to the machine.
2. The user should hear a characteristic click sound suggesting the correct installation of the machine with the extension pole.



Working Height Setting

You can adjust the working height of the extension pole from 60cm to 100cm.

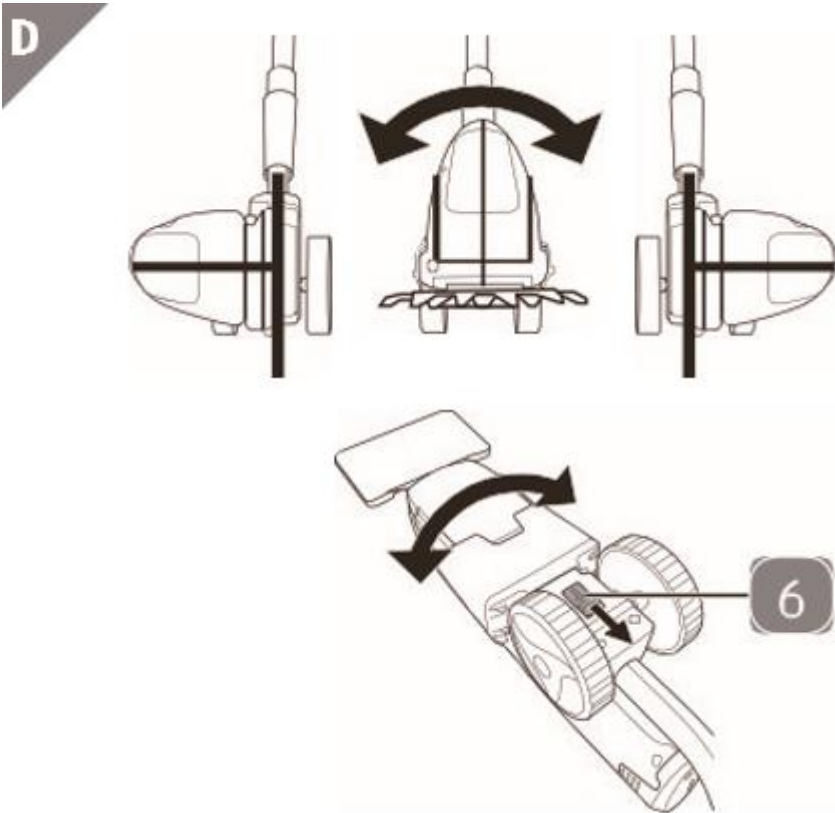
1. Turn the lower part of the height adjustment lock sleeve clockwise until the moment of release.
2. Set the working height of the extension pole.
3. Turn the lower part of the height adjustment lock sleeve anti-clockwise until it locks.

USING OF THE EXTENSION POLE (cont.)

Turnover Function

The machine on the extension pole can rotate in three positions (-90°/0°/+90°).

Pull the blocking mechanism (pictured below) and adjust the angle of the machine to the desired position until you hear a click sound.



USE AND MAINTENANCE

- Disconnect the charger plug from the power source before making any adjustments, changing accessories, or storing the tools.
- Check for misalignment or binding of moving parts, breakage of parts and any condition that may affect the tools operation.
- Use this 7.2V lithium-ion cordless Grass and Hedge Trimmer in accordance with the instructions.
- Do not allow people unfamiliar with this tool to operate it.
- Do not overwork/force the tool.
- Do not use the tool if the switch does not turn it on or off.
- Store tools out of reach of children and other untrained people.
- Maintain this tool with care.
- Hold the tool by the insulated gripping surfaces to prevent accidents.

Charging and Recharging the Unit

- Before charging the unit with the AC charger, make sure that the tool is turned off.
- This tool can only be charged using the supplied charger.
- Never recharge the unit outside.
- Do not store this tool or its charger in temperatures below 0°C or above 40°C

USE AND MAINTENANCE (cont.)

Charging and Recharging the Unit (Cont.)

- Do not use a damaged charger.
- Never pull the tool by the power cord. Always pull the plug when disconnecting.
- Ensure the cord is not a trip hazard and does not get damaged.
- Never open this tool. There are no customer-serviceable parts inside.
- Never attempt to open or modify the battery for any reason.
- Never incinerate the battery or machine when they are ready to be discarded.

Before Starting Work

Before first use, fully charge the battery. Use only the original charger included in the set. When charging, one red LED light will be on – the remaining LEDs will be off.

1. Connect the power cord plug with the charger into the charging jack.
2. Plug the charger into an AC outlet. Make sure that the voltage of the electrical outlet is compatible with technical requirements.
3. When charging, the red LED will be on.

USE AND MAINTENANCE (cont.)

Before Starting Work

4. The recommended charging time is 5 hours and 30 minutes (for a completely discharged battery). The battery is fully charged when green LEDs are on. Your tool is then ready to use.
5. Once charged, first remove the charger from an AC outlet and then unplug the charger from the charging socket.

Caution! When charging, the handle of the machine may heat up. This is normal. Please wait until the handle cools down before using the machine.

Switching On and Off

1. To switch the tool on, slide the lock-off button and push the on/off button at the same time.
2. Release the lock-off button.
3. To switch the tool off, release the on/off switch. Once switched off, the blades will keep moving for some time. Wait until the blades stop completely. Do not touch moving blades and do not try and stop them.

USE AND MAINTENANCE (cont.)

Operating

- Hold the tool away from you. Stand in a safe and stable position.
- When cutting, ensure blades do not come into contact with objects i.e. wires, metal parts, stones, etc. as this may damage the mechanisms.
- If the blade is blocked by a object, immediately turn off the tool.
- Clean the tool after each use. Remove the material left on the blades only when the tool is turned off. Take extreme care.

Trimming Shrubs and Hedges

- Make sure to cut stems up to 7.5mm/0.29” thick.
- When trimming the hedge, evenly move the tool along the cutting line so that stems get directly into the blades.
- The double-sided cutting part of the blade allows to trim in both directions.
- After finishing the task, place the cover on the blades.

Shearing Grass

- Move the grass shears along the lawn edge – do not allow the blade to come into contact with hardened surfaces or stones.
- After finishing the task, place the cover on the blades.

CLEANING & STORAGE

Cleaning

- Proper and regular cleaning ensures safe use and extends the tools' life.
- To avoid electric shock or burns, switch off the tool and allow it to cool down before performing cleaning and maintenance.
- Before each use, inspect the machine for obvious defects. Ensure the covers and guards are undamaged and correctly fitted.
- Clean the tool with a dry cloth or blow it with compressed air.
- Carefully clean the blades after each use. Rub the blades with a cloth soaked in oil or spray them with a metal spray.
- Blunt, bent or damaged blades must be replaced. Only use original spare parts.
- Store the blades in the cover.
- It is recommended to clean the tool immediately after each use.
- Ensure water does not get inside the tool.
- Do not use any cleaning alkaline, abrasive, or disinfectant chemicals as they may adversely affect the surface of the tool.

CLEANING & STORAGE (cont.)

Repair

- This tool contains no user-serviceable parts. Do not repair the tool yourself. See the spare parts/repair section on the next page.

Storage

- Clean the tool in accordance with the instructions.
- Always store the tool in a dry, aired location out of reach of children.
- Protect the tool against vibrations and shock during transport.

SPARE PARTS/REPAIR

If any consumable parts need replacing, please check our website for stock availability and purchase.

If our website does not have the parts listed, but you still need consumable parts, please contact our customer support to check availability and process your order.

To order parts, please go to: nettadirect.com/collections/parts

You will need PDC information from your product, user manual or carton box. Alternatively, go to our website and use search bar to find the parts available.

You can also find this code on the [back of this User Manual](#). For our Repair Service, please contact our customer support with email on support@nettadirect.com they will provide with more details of repair service with NETTA.

DISPOSAL OF PRODUCT

IMPORTANT INFORMATION FOR THE CORRECT DISPOSAL OF THE PRODUCT IN ACCORDANCE WITH EC DIRECTIVE 2002/96/EC.

DISPOSAL:

Please dispose of this product responsibly. This item cannot be disposed of with general waste. Please contact your local council authority for more information on how to dispose this product.



YOUR WARRANTY

If you purchased with NETTADIRECT, or one of our authorised resellers, you will automatically enrol your warranty for 1 (ONE) year. All warranties will be conducted to our terms and conditions including warranty conditions which you will find out from our website at www.nettadirect.com.

PLEASE NOTE: Consumable parts will not be covered by warranty. If a consumable part needs replacing, you need purchase separately from our website.

COPYRIGHTS

NETTA and its logo including images and contents in this manual and website are copyrighted. All intellectual property rights belong to NETTA owner CONSUMABLE DIRECT LIMITED. ANY UNAUTHORISED USE, MODIFICATION or DISTRIBUTION of the NETTA logo, website image, and its contents (from website, manuals) will violate worldwide copyright, trademark and associated laws.

We reserve the right to proceed with lawsuits to anyone who is found breaching our copyrights policy.

PRODUCT DEPENDENCY CODE (PDC)

Your PDC is below:

PDC: N0E-KT01-90x120
SKU: 103091

NETTA is a registered trademark of CONSUMABLE DIRECT LIMITED.
Product Produced for CONSUMABLE DIRECT LIMITED M30 0QF U.K.