

GARDEN SWING CHAIR



THREE SEATS

WATERPROOF

**ADJUSTABLE
CANOPY**

**CAN HOLD UP
TO 200KG**



Thank you for purchasing this SUNMER product.

Please read the user manual carefully before using this product.

We will update our instruction manuals if necessary.

For the most up-to-date user manual, please visit our official website:
www.nettadirect.com.

You can download a copy of up to date user manuals at any time in electronic format. We do not supply you with a paper-based user manual after each revision.

**Require a larger version of this
Instruction Manual?**

**Please download electronically from
our website and use PDF reader on
your device to enlarge the text if
needed.**

www.nettadirect.com

SAFETY & WARNINGS...

INTENDED USE

SUNMER products are for private and residential use only. This product is not intended for use in public places such as hotels, sports grounds, etc.


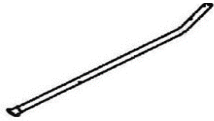
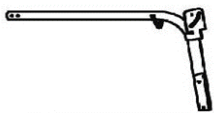










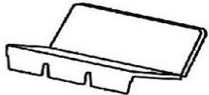


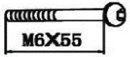
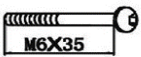

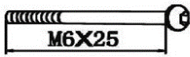
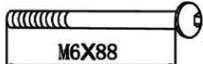



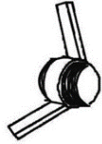


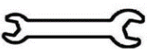
ASSEMBLY

Time: 50 minutes

People required: 2

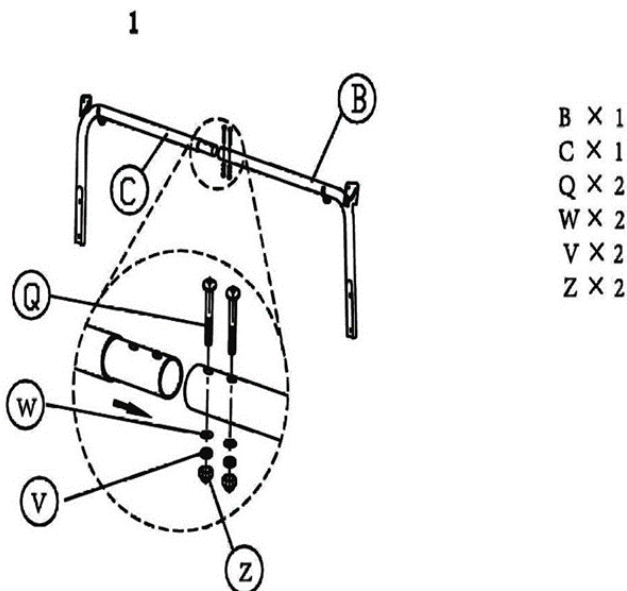
RISK OF PERSONAL INJURY

- DO NOT use this product other than for the intended use.
- Failure to follow the warnings could result in a serious injury.
- Handle heavy parts with care.
- Ensure that the product is fully assembled as illustrated before use.
- This product should only be used on firm, level ground.
- Do not stand or climb onto this product.
- Ensure you have the right tools, ample space, and a clean, dry workspace.
- Check you have all the parts listed.
- Check all screws and bolts are tight before use.
- Do not stand or climb on the product.
- Do not use power tools to construct this product.
- Do not use this product if parts are damaged, missing or worn.
- Do not swing the swing back and forth violently.
- Do not swing the chair from side to side as this will cause the frame to buckle. Only swing backwards and forwards.

			
A1 2	A2 2	B 1	C 1
			
D 2	E 1	F 1	G 4
			
I 2	J 1	K 2	L 2
			
M 1	N 1	P 2	Q 6
			
R 4	R1 2	S 4	T 3
	 M6	 M6	
U 4	V 23	W 23	Y 2
	 M6		
Y1 2	Z 23	Z1 1	Z2 1

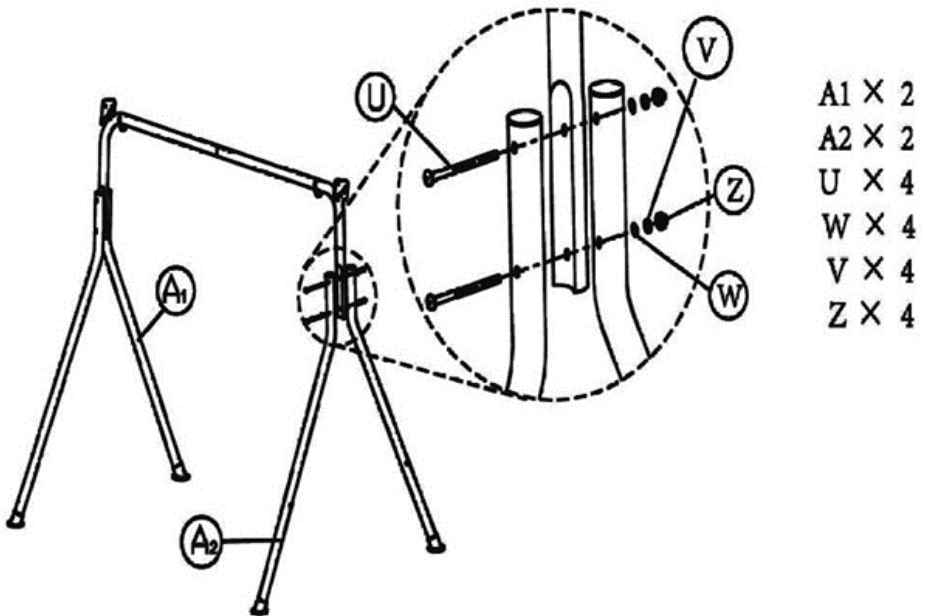
ASSEMBLING THE PRODUCT

- Slide **part C** into **part B**.
- Attach together by inserting **bolt Q** (x2) into the holes provided and fix together with **M6 washers (W)** and **M6 nuts (V)** and tighten.
- Attach **nut cover (Z)** when the hammock is fully assembled.
- Attach the front leg (**part A1**) into the back leg (**part A2**) through the crossbar by inserting **M6 bolts (U)** through the holes in the three tubular parts as shown.
- Fix together by using **M6 washers (W)** and **nuts (V)** and tighten.
- Repeat on the other side.



- Attach **nut cover (Z)** when the hammock is fully assembled.

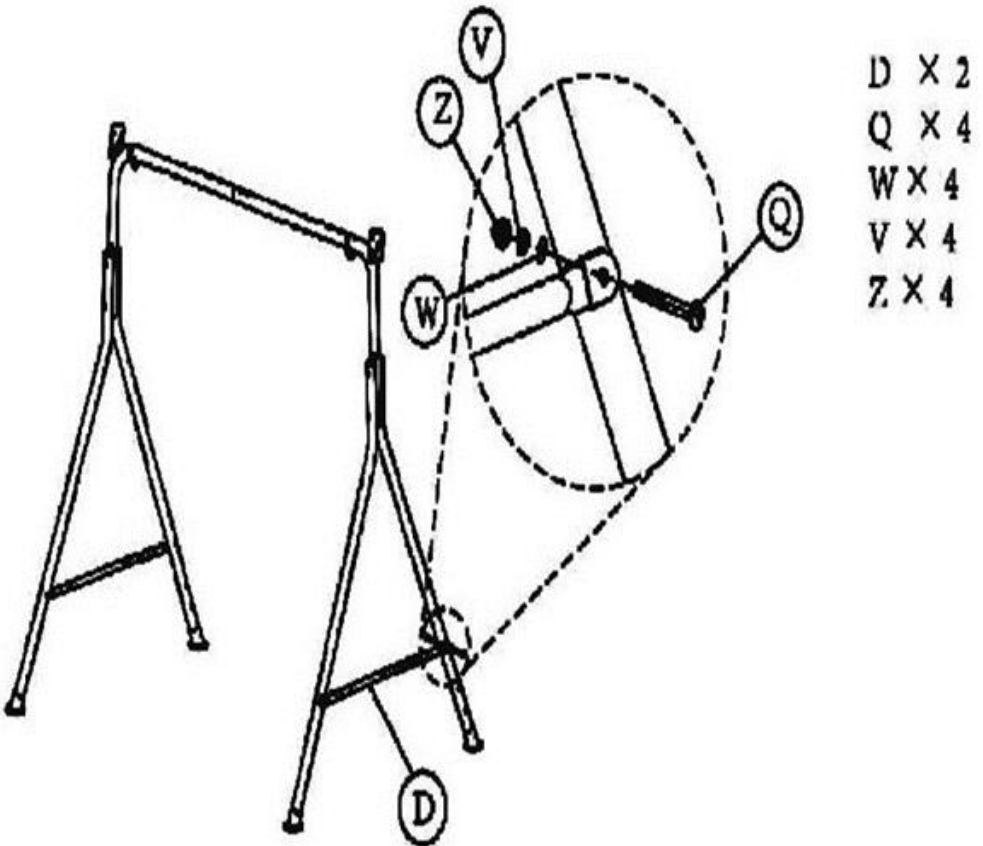
2



- Attach the **side brace (part D)** to the outside of the back leg by inserting **bolt Q** through the holes provided as shown.
- Fix together by using **M6 washer (W)** and **M6 nut (V)** and tighten.

- Repeat for the front leg and then do the same on the opposite side.

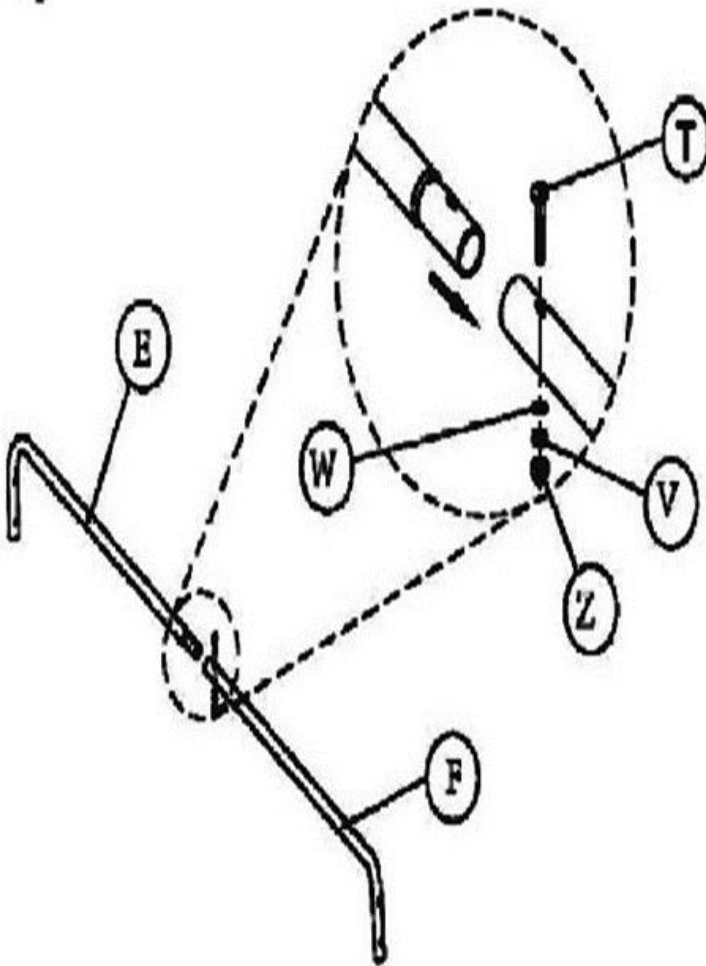
3



- Slide the **right rear brace (F)** into the **left rear brace (E)** as shown.
- Insert **M6 bolt (T)** through the holes provided and fix together using **M6 washer (W)** and **M6 nut (V)** and tighten.

- Attach **M6 nut cover (Z)** when the hammock is fully assembled.

4

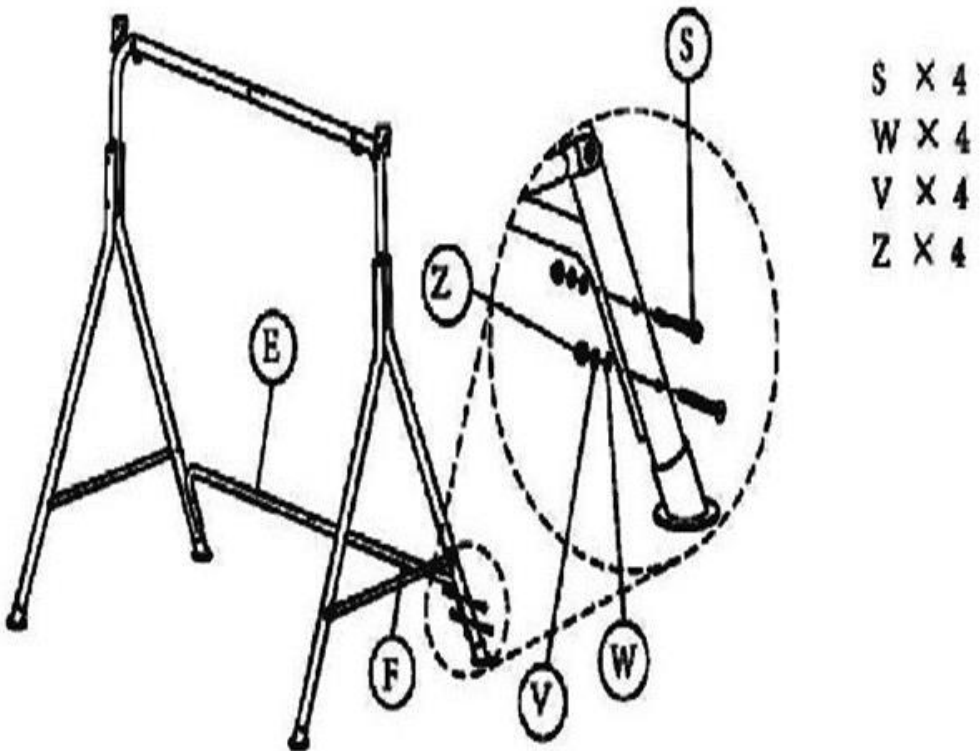


E X 1
 F X 1
 W X 1
 V X 1
 Z X 1
 T X 1

- Attach the assembled rear leg brace from step 4 to the two back legs by inserting **M6 bolt (S)** through the holes provided as shown.
- Fix together using M6 washer (W) and M6 nut (V) and tighten.

- Repeat on the other side.

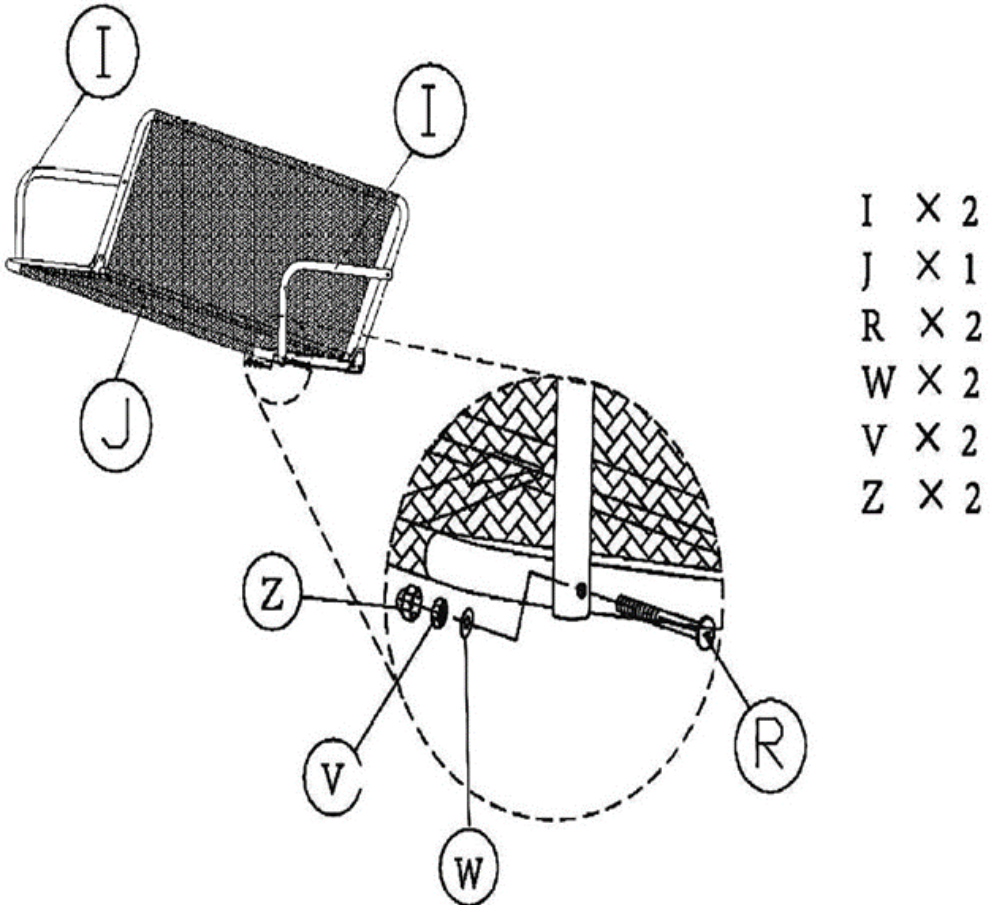
5



- Attach the armrests (part I) to the front of the seat frame (J) by inserting M8 bolt (R) through the holes provided as shown.
- Fix together by using M8 washer (W) and M8 washer (V) and tighten.

- Repeat on the other side.

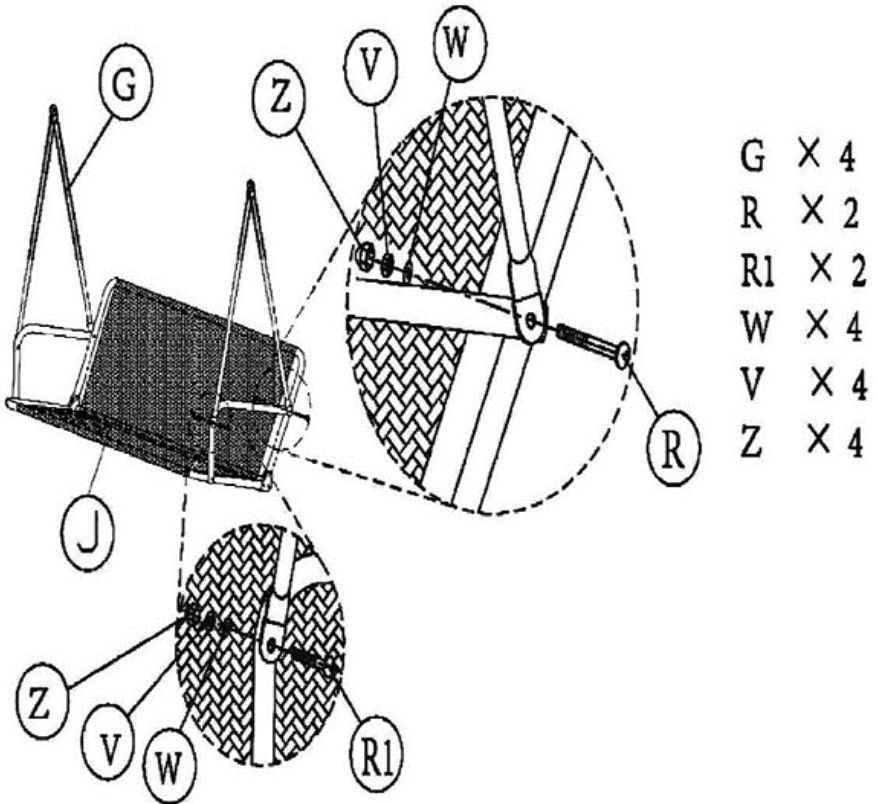
6



- Attach one suspension tube (**part G**) to the front of the armrest by inserting **M8 (R1)** through the holes as shown. Fix together using **M8 washer (W)** and **M8 nut (V)** and tighten.
- Attach the other suspension tube (**part G**) to the back of the armrest by inserting **M8 bolt (R)** through the holes shown.

- Fix together using **M8 washer (W)** and **M8 nut (V)** and tighten. Repeat on the other side

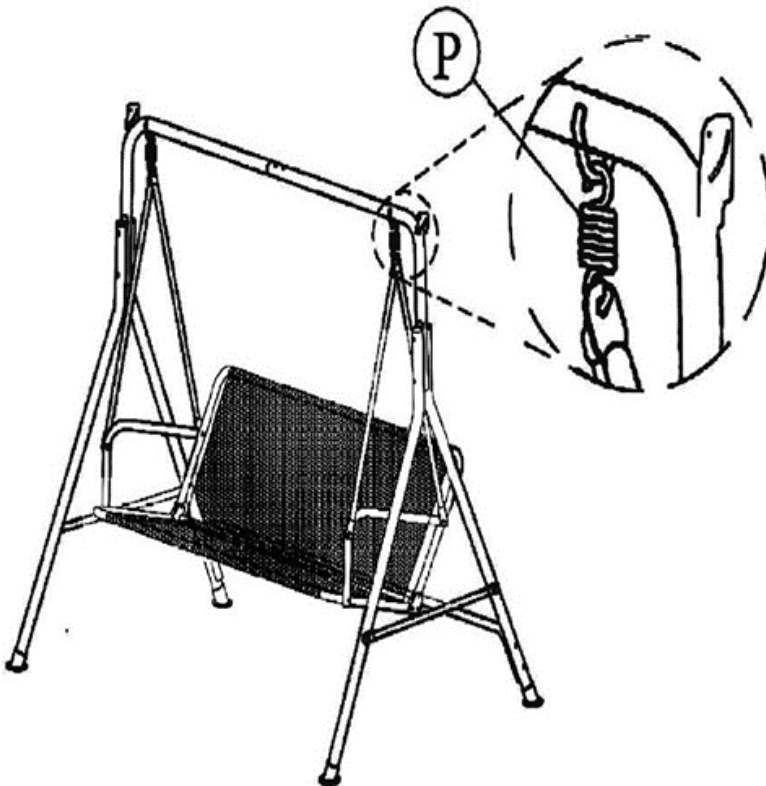
7



- Attach the seat frame to the main crossbars by inserting a **spring (part P)** through the holes provided in the two suspension tubes.
- Repeat on the other side.

- When the springs are attached on the two sides, gently lift the seat frame, and insert the springs through the metal loops on the crossbar. The assistance of another person is suggested.

8

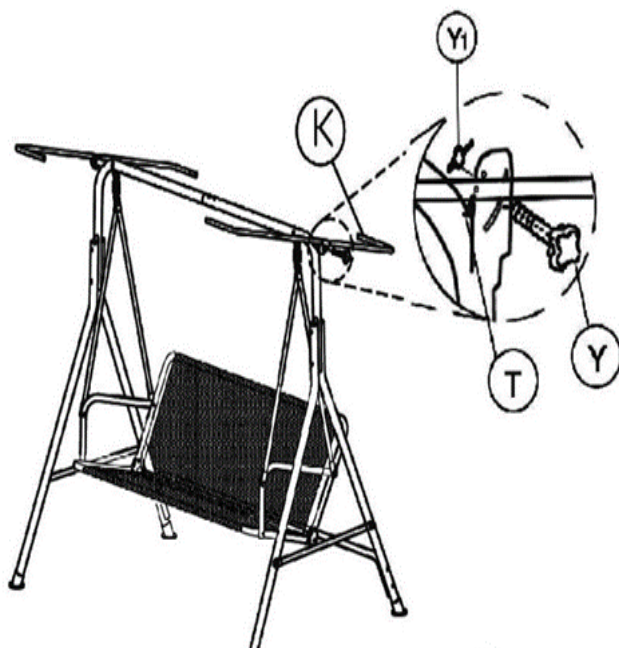


P X 2

- Attach the **canopy side tube (part K)** to the crossbar by lining up the plastic bracket on the canopy side tube with the corresponding plastic part on the crossbar.
- Fix together by inserting **part Y** and screwing into place. Use **wingnut (Y1)** to help tighten but do not overtighten.

- Repeat on the other side.

9



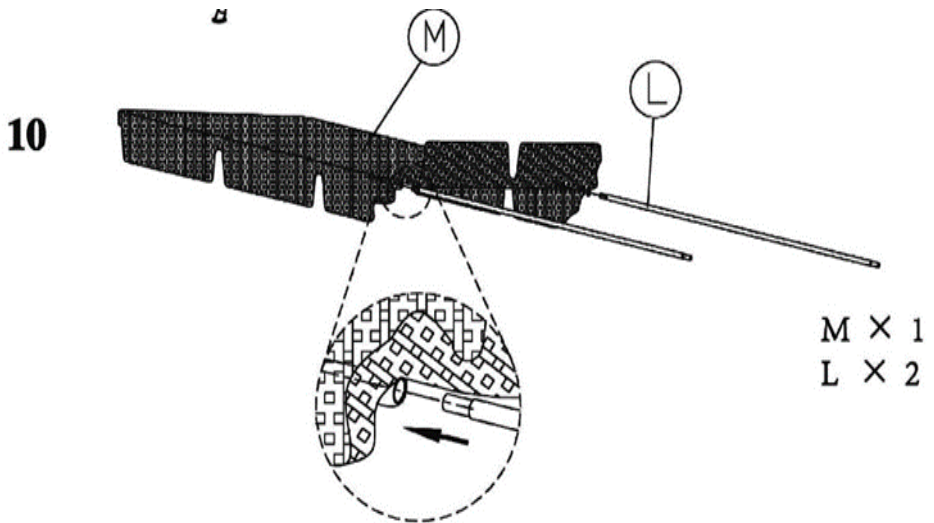
K X 2

Y X 2

Y1 X 2

T X 2

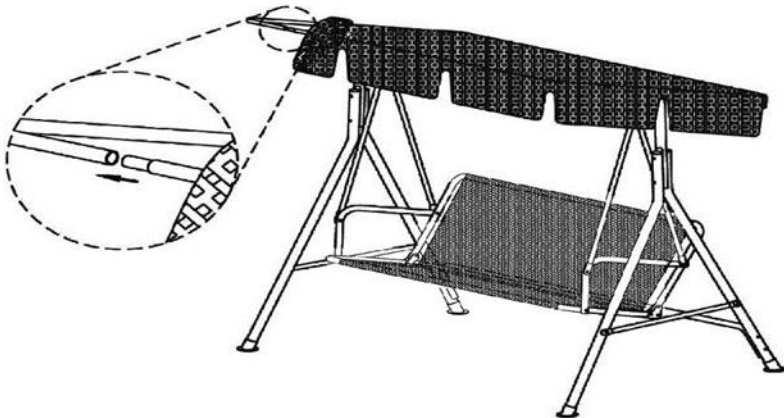
- Attach the fabric canopy over **part M** to the canopy straight tubes (**part L**) by inserting the tubes through the fabric tunnels on the underside of the canopy.
- Insert each tube separately and gather the canopy cover into the centre of the tubes. This will make the next step easier.



M × 1
L × 2

- With the assistance of another person, lift the combined canopy cover and canopy straight tubes up and insert the straight tube into the canopy side tube as shown.
- Repeat on the back.
- When one side is complete, repeat on the other side of the hammock.
- Be careful not to strain the plastic bracket fittings/brackets on the side of the hammock

11



- Fit the main seat and back cushions (**part N**) to the hammock seat by sliding the fabric flap on the back of the cushion over the back frame.
- Attach the cushions to the seat frame using the ties provided.

12



N × 1

ASSEMBLY IS COMPLETE

CLEANING & MAINTANENCE

- Only clean this swing chair using a damp cloth and mild detergent. Do not use bleach or abrasive cleaners.
- From time to time, check that no screws are loose on this product.
- This product should not be discarded with household waste. Contact your local authority for advice on how to dispose of this.

SPARE PARTS/REPAIR

We hope our products will last as long as possible to reduce the build-up of waste in the world.

If any consumable parts need replacing, please check our website for stock availability and purchase.

If our website does not have the parts listed, but you still need consumable parts, please contact our customer support to check availability and process your order.

To order replacement parts, please go to www.nettdirect.com/parts.

You will need PDC information from your product, user manual or carton box. Alternatively, go to our website and use search bar to find the parts available.

You can also find this code on the [back of this User Manual](#).

For our Repair Service, please contact our customer support with email on support@nettdirect.com they will provide with more details of repair service with NETTA.

DISPOSAL OF PRODUCT

IMPORTANT INFORMATION FOR CORRECT DISPOSAL OF THE PRODUCT IN ACCORDANCE WITH EC DIRECTIVE 2002/96/EC.

DISPOSAL:

Please dispose of this product responsibly. This item cannot be disposed of with general waste. Please contact your local council authority for more information on how to dispose this product. If this product is disposed of with general waste, it will end up in a landfill and may leak hazardous substances into the groundwater – effecting our food chain.



YOUR WARRANTY

If you purchased with NETTADIRECT, or one of our authorised resellers, you will automatically enrol your warranty for 1 (ONE) year. You do not need to register again for your warranty. All warranties will be carried out to our terms and conditions including warranty conditions you will find out from our website at www.nettadirect.com.



COPYRIGHTS

SUNMER is a part of the NETTA brand. NETTA and its logo including images and contents in this manual and website is copyrighted. All intellectual property rights belong to NETTA owner CONSUMABLE DIRECT LIMITED.

ANY UNAUTHORISED USE, MODIFICATION or DISTRIBUTION of the NETTA logo, website image, and its contents (from website, manuals) will violate worldwide copyright, trademark, and associated laws.

We reserve the right to proceed with lawsuits to anyone who is found breaching our copyrights policy. For more details, please check our website copyright policy for more information.

PRODUCT DEPENDENCY CODE (PDC)

Your PDC is below:

PDC: FSB001
SKU: 103368

NETTA is a registered trademark of CONSUMABLE DIRECT LIMITED.
Product Produced for CONSUMABLE DIRECT LIMITED M30 0QF U.K.