

32 INCH TOWER FAN



**RATED
POWER**
35W

TIMER
7 HOURS

OSCILLATION
65 DEGREES

**SPEED
SETTINGS**
THREE

Thank you for purchasing this NETTA product.

Please read the user manual carefully before operating this appliance.

We will update our instruction manuals if necessary.

For the most up-to-date user manual, please visit our official website:
www.nettadirect.com.

You can download a copy of up-to-date user manuals at any time in electronic format. We do not supply you with a paper-based user manual after each revision.

Require a larger version of this Instruction Manual?

Please download electronically from our website and use PDF reader on your device to enlarge the text if needed.

www.nettadirect.com

SAFETY & WARNINGS

INTENDED USE

NETTA Design is for domestic and indoor use only. This product is not intended for use by people who have lack of experience and knowledge or have reduced ability, or sensory and metal capabilities. Keep supervised when groups of people use this item.

REGULAR CHECKUPS

Check cables every time before plugging into a socket, make sure power cables are not burst or snapped and that the power-plug has no damage.

GENERAL CAUTIONS

- A loose fit between the AC outlet (receptacle) and plug may cause overheating and a distortion of the plug. Contact a qualified electrician to replace a loose or worn outlet.
- Only use on 220-240V AC, 50Hz power supply.
- If the supply cord is damaged, it must be replaced by the manufacturer, its service agent or similarly qualified persons in order to avoid hazard.
- Cleaning and user maintenance shall not be made by children without supervision.
- The appliance is not to be used by persons (including children) with reduced physical, sensory or mental capabilities, or lack of experience and knowledge, unless they have been given supervision or instruction.
- Ensure that the fan is switched off from the supply mains before removing the guard.
- Use this fan only as described in this manual.
- The product is intended for household use only and not for commercial, industrial or outdoor use.
- Close supervision is necessary when the appliance is used by or near children.
- To disconnect the fan, first turn the unit off, grip the plug and pull it from the wall outlet. Never pull the plug by the cord.

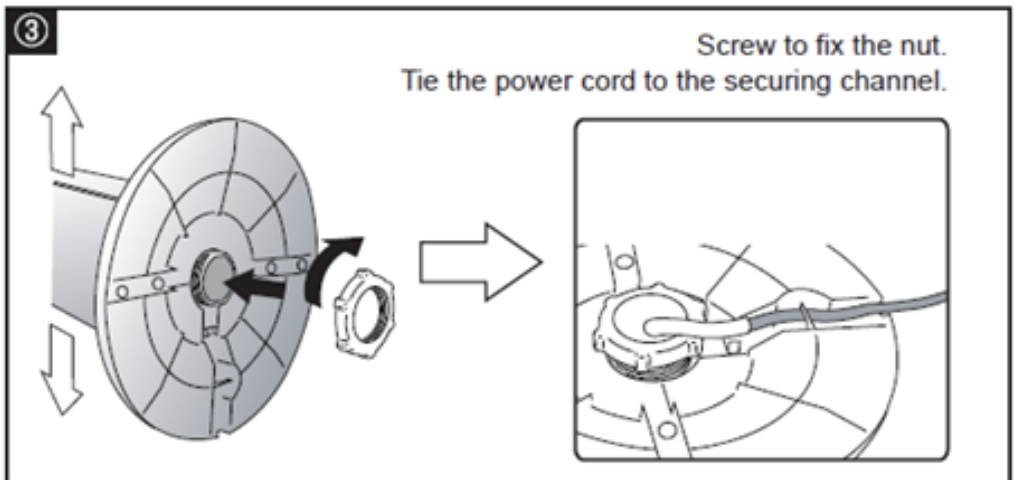
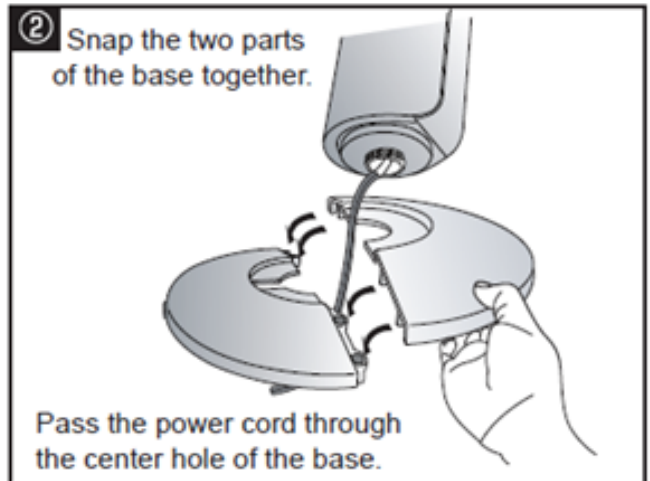
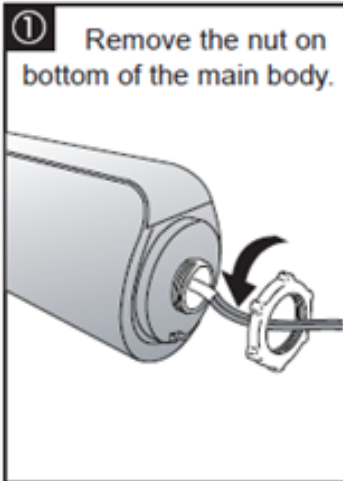
RISK OF PERSONAL INJURY

- To protect against electric shock, do not place fan on windowsill or allow it to come into any contact with water.
- To reduce the risk of shock, this plug is intended to fit the outlet. If the plug does not fit fully in the outlet, contact a qualified electrician.
- Turn off and unplug the fan from the outlet when not in use, when moving the fan from one location to another, and before cleaning.
- Do not operate the fan in the presence of explosives and/or flammable fumes.
- Do not place the fan or any parts near an open flame, cookers, or other heating appliances.
- Do not operate fan with a damaged cord or plug, or if the product malfunctions, or if dropped or damaged in any manner.
- Avoid contact with moving fan parts.
- The use of attachments not recommended by the manufacturer may be hazardous.
- Place the fan on a dry and level surface.
- Do not hang or mount the fan on a wall or ceiling.
- Do not operate if the fan housing is damaged.

ASSEMBLY INSTRUCTIONS:

WARNING! Do not use this fan before assembling the base.

Base Assembly:



FAN OPERATION:

Plug into any AC 220-240V, 50Hz source, ensure that the plug and the socket fit well. You can operate the appliance by the control panel or the remote control.

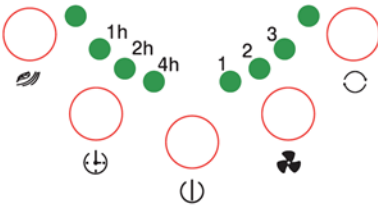


Fig. 1 – Control Panel

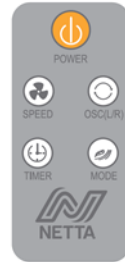


Fig. 2 – Remote Control

Control Panel:



Press it once to turn on the fan at low fan speed and normal wind mode. Press it again to turn off.



Press it once to select natural mode and press again for normal mode.

Normal – Unit operates in selected fan speed: High, Medium, or Low.

Natural – Unit operates according to computerised intervals of changing speeds.



When the fan is in use, you can set the time to turn off the appliance. The default time is 0 hours. You can press the timer button to set the timer at 1-7 hours.



To activate the oscillation feature, press the button once. Press the button again to turn the feature off.



When the fan is in use, press this button to change the fan speed between Low, Medium, and High.

CLEANING & STORAGE

- Always unplug the fan before cleaning.
- Use only a soft, damp cloth to gently wipe the outer surfaces of the fan clean.
- Ensure that the fan is switched off from the supply mains before removing the guard.
- To clean between the grilles, we recommend using a pipe cleaner, flexible dust wand, vacuum cleaner or compressed air to gently remove the dust.
- Do not immerse the fan in water and never allow water to drip into the motor housing.
- Do not use gasoline, paint thinner or other chemicals to clean the fan.
- For storage, you may leave the fan assembled and covered to protect it from dust. Store the fan in a cool and dry place.

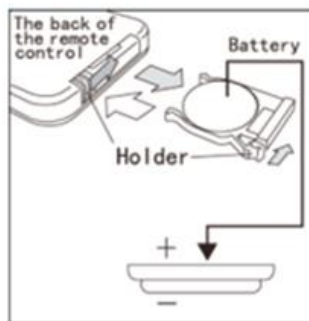
CR 2032
3V LITHIUM BATTERY

WARNING

1. Keep batteries out of reach of small children. Should a child swallow a battery, consult a physician immediately.
2. Do not recharge or dispose of in fire
3. Keep in a dry and cool place
4. Wipe off the battery use.
5. Insert battery in right direction.



Battery Disposal—please dispose the used battery per municipal or provincial law.



SPARE PARTS/REPAIR

We hope our products will last as long as possible to reduce the build-up of electrical waste in the world.

If any consumable parts need replacing, please check our website for stock availability and purchase.

If our website does not have the parts listed, but you still need consumable parts, please contact our customer support to check availability and process your order.

To order replacement parts, please go to www.nettadirect.com/parts.

You will need PDC information from your product, user manual or carton box. Alternatively, go to our website and use search bar to find the parts available.

You can also find this code on the [back of this User Manual](#).

For our Repair Service, please contact our customer support with email on support@nettadirect.com they will provide with more details of repair service with NETTA.

DISPOSAL OF PRODUCT

IMPORTANT INFORMATION FOR CORRECT DISPOSAL OF THE PRODUCT IN ACCORDANCE WITH EC DIRECTIVE 2002/96/EC.

DISPOSAL:

Please dispose of this product responsibly. This item cannot be disposed of with general waste. Please contact your local council authority for more information on how to dispose this product. If this product is disposed of with general waste, it will end up in a landfill and will leak hazardous substances into the groundwater – effecting our food chain.



YOUR WARRANTY

If you purchased with NETTADIRECT, or one of our authorised resellers, you will automatically enrol your warranty for 1 (ONE) year. You do not need to register again for your warranty. All warranties will be carried out to our terms and conditions including warranty conditions which you can find out from our website at www.nettdirect.com.

COPYRIGHTS

NETTA and its logo including images and contents in this manual and website is copyrighted. All intellectual property rights belong to NETTA owner CONSUMABLE DIRECT LIMITED.

ANY UNAUTHORISED USE, MODIFICATION or DISTRIBUTION of the NETTA logo, website image, and its contents (from website, manuals) will violate worldwide copyright, trademark and associated laws.

We reserve the right to proceed with lawsuits to anyone who is found breaching our copyrights policy. For more details, please check our website copyright policy for more information.

PRODUCT DEPENDENCY CODE (PDC)

Your PDC is below:

PDC: FTC5-E
SKU: 103789/103968

NETTA is a registered trademark of CONSUMABLE DIRECT LIMITED.
Product Produced for CONSUMABLE DIRECT LIMITED M30 0QF U.K.