

# 20V POLE HEDGE TRIMMER



**NO LOAD  
SPEED**  
1400/MIN

**CUTTING  
LENGTH**  
410MM / 16"

**TOOTH  
OPENING**  
14MM

**CHARGING TIME**  
80 MINS

**Thank you for purchasing this NETTA product.**

Please read the user manual carefully before operating this appliance.

We will update our instruction manuals if necessary.

For the most up-to-date user manual, please visit our official website: [www.nettadirect.com](http://www.nettadirect.com).

You can download a copy of up-to-date user manuals at any time in electronic format. We do not supply you with a paper-based user manual after each revision.

## Require a larger version of this Instruction Manual?

Please download electronically  
from our website and use PDF  
reader on your device to enlarge  
the text if needed.

[www.nettadirect.com](http://www.nettadirect.com)

# Safety and Warnings

## Intended Use

This NETTA product is designed for private outdoor use only. It is not for use in public parks, sports grounds, agriculture, or forestry. Failure to use this product as intended will void the warranty.

## Regular Check-Ups

Ensure the power cable and plug are not damaged before plugging into a socket.

Check all the knobs are functioning correctly.

# General Warnings

Read all safety warnings, instructions, illustrations and specifications provided with this power tool. Failure to follow all instructions listed below may result in electric shock, fire and/or serious injury.

Save all warnings and instructions for future reference.

The term "power tool" in the warnings refers to your mains operated (corded) power tool or battery-operated (cordless) power tool.

## Work Area Safety

Keep work area clean and well lit. Cluttered or dark areas invite accidents.

Do not operate power tools in explosive atmospheres, such as in the presence of flammable liquids, gases or dust. Power tools create sparks which may ignite the dust or fumes.

Keep children and bystanders away while operating a power tool. Distractions can cause you to lose control.

## Electrical Safety

Power tool plugs must match the outlet. Never modify the plug in any way. Do not use any adapter plugs with earthed (grounded) power tools. Unmodified plugs and matching outlets will reduce risk of electric shock.

Avoid body contact with earthed or grounded surfaces, such as pipes, radiators, ranges and refrigerators. There is an increased risk of electric shock if your body is earthed or grounded.

Do not expose power tools to rain or wet conditions. Water entering a power tool will increase the risk of electric shock.

Do not abuse the cord. Never use the cord for carrying, pulling or unplugging the power tool. Keep cord away from heat, oil, sharp edges or moving parts.

Damaged or entangled cords increase the risk of electric shock.

## General Warnings

When operating a power tool outdoors, use an extension cord suitable for outdoor use. Use of a cord suitable for outdoor use reduces the risk of electric shock.

If operating a power tool in a damp location is unavoidable, use a residual current device (RCD) protected supply. Use of an RCD reduces the risk of electric shock.

### Personal Safety

Stay alert, watch what you are doing and use common sense when operating a power tool. Do not use a power tool while you are tired or under the influence of drugs, alcohol or medication. A moment of inattention while operating power tools may result in serious personal injury.

Use personal protective equipment. Always wear eye protection. Protective equipment such as a dust mask, non-skid safety shoes, hard hat or hearing protection used for appropriate conditions will reduce personal injuries.

Prevent unintentional starting. Ensure the switch is in the off position before connecting to power source and/or battery pack, picking up or carrying the tool.

Carrying power tools with your finger on the switch or energising power tools that have the switch on invites accidents.

Remove any adjusting key or wrench before turning the power tool on. A wrench or a key left attached to a rotating part of the power tool may result in personal injury.

Do not overreach. Always keep proper footing and balance. This enables better control of the power tool in unexpected situations.

Dress properly. Do not wear loose clothing or jewellery. Keep your hair and clothing away from moving parts. Loose clothes, jewellery or long hair can be caught in moving parts.

If devices are provided for the connection of dust extraction and collection facilities, ensure these are connected and properly used. Use of dust collection can reduce dust-related hazards.

Do not let familiarity gained from frequent use of tools allow you to become complacent and ignore tool safety principles. A careless action can cause severe injury within a fraction of a second.

### Power Tool Use and Care

Do not force the power tool. Use the correct power tool for your application. The correct power tool will do the job better and safer at the rate for which it was designed.

Do not use the power tool if the switch does not turn it on and off. Any power tool that cannot be controlled with the switch is dangerous and must be repaired.

Disconnect the plug from the power source and/or remove the battery pack, if detachable, from the power tool before making any adjustments, changing accessories, or storing power tools. Such preventive safety measures reduce the risk of starting the power tool accidentally.

Store idle power tools out of the reach of children and do not allow persons unfamiliar with the power tool or these instructions to operate the power tool. Power tools are dangerous in the hands of untrained users.

Maintain power tools and accessories. Check for misalignment or binding of moving parts, breakage of parts and any other condition that may affect the power tool's operation. If damaged, have the power tool repaired before use. Many accidents are caused by poorly maintained power tools.

Keep cutting tools sharp and clean. Properly maintained cutting tools with sharp cutting edges are less likely to bind and are easier to control.

Use the power tool, accessories and tool bits etc. in accordance with these instructions, considering the working conditions and the work to be performed. Use of the power tool for operations different from those intended could result in a hazardous situation.

Keep handles and grasping surfaces dry, clean and free from oil and grease. Slippery handles and grasping surfaces do not allow for safe handling and control of the tool in unexpected situations.

## **Battery Tool Use and Care**

Recharge only with the charger specified by the manufacturer.

A charger that is suitable for one type of battery pack may create a risk of fire when used with another battery pack.

Use power tools only with specifically designated battery packs. Use of any other battery packs may create a risk of injury and fire.

When battery pack is not in use, keep it away from other metal objects, like paper clips, coins, keys, nails, screws or other small metal objects, that can make a connection from one terminal to another.

Shorting the battery terminals together may cause burns or a fire.

Under abusive conditions, liquid may be ejected from the battery; avoid contact. If contact accidentally occurs, flush with water. If liquid contacts eyes, additionally seek medical help. Liquid ejected from the battery may cause irritation or burns.

Do not use a battery pack or tool that is damaged or modified. Damaged or modified batteries may exhibit unpredictable behaviour resulting in fire, explosion or risk of injury.

Do not expose a battery pack or tool to fire or excessive temperature. Exposure to fire or temperature above 130°C may cause explosion.

Follow all charging instructions and do not charge the battery pack or tool outside the temperature range specified in the instructions. Charging improperly or at temperatures outside the specified range may damage the battery and increase the risk of fire.

## **Service**

Have your power tool serviced by a qualified repair person using only identical replacement parts. This will ensure that the safety of the power tool is maintained.

Never service damaged battery packs. Service of battery packs should only be performed by the manufacturer or authorized service providers.

## **Hedge Trimmer Safety Warnings**

Keep all parts of the body away from the blade. Do not remove cut material or hold material to be cut when blades are moving. Blades continue to move after the switch is turned off. A moment of inattention while operating the hedge trimmer may result in serious personal injury.

Carry the hedge trimmer by the handle with the blade stopped and taking care not to operate any power switch. Proper carrying of the hedge trimmer will decrease the risk of inadvertent starting and resultant personal injury from the blades.

When transporting or storing the hedge trimmer, always fit the blade cover. Proper handling of the hedge trimmer will decrease the risk of personal injury from the blades.

When clearing jammed material or servicing the unit, make sure all power switches are off and the battery pack is removed or disconnected. Unexpected actuation of the hedge trimmer while clearing jammed material or servicing may result in serious personal injury.

Hold the hedge trimmer by insulated gripping surfaces only because the blade may contact hidden wiring. Blades contacting a "live" wire may make exposed metal parts of the hedge trimmer "live" and could give the operator an electric shock.

Keep all power cords and cables away from cutting area. Power cords or cables may be hidden in hedges or bushes and can be accidentally cut by the blade.

Do not use the hedge trimmer in bad weather conditions, especially when there is a risk of lightning. This decreases the risk of being struck by lightning.

## **Additional Safety Warnings**

This tool is not intended for use by persons (including children) with reduced physical, sensory or mental capabilities, or lack of experience and knowledge, unless they have been given supervision or instruction concerning use of the appliance by a person responsible for their safety.

Children should be supervised to ensure that they do not play with the appliance.

When working with the machine, always hold it firmly with both hands and provide for a secure stance. The power tool is guided more secure with both hands.

Always ensure all handles and guards are fitted when using the machine. Never attempt to use an incomplete machine or one fitted with an unauthorized modification.

Always lubricate the cutting blade with protective spray before use.

Always wait until the machine has come to a complete stop before placing it down.

Other persons and animals should remain at a distance of 3 metres or more when the machine is being used. The operator is responsible for third persons in the working area.

Never grasp the blade of the hedge trimmer.

Children or persons unfamiliar with these instructions must not operate the hedge trimmer. Local regulations may restrict the age of the operator.

Never cut a hedge while people, especially children or pets, are nearby.

The user is responsible for accidents or hazards occurring to other people or their property.

Do not operate the hedge trimmer when barefoot or wearing open sandals, always wear substantial footwear and long trousers. The use of sturdy gloves, non-skid footwear and safety glasses is recommended. Do not wear loose clothing or jewellery which can be caught in moving parts.

Thoroughly inspect the area where the hedge trimmer is to be used and remove all wires and other foreign objects.

Prior to operation, check cutter blades, blade bolts and cutter assembly for wear or damage. Do not operate with a damaged or excessively worn cutting device.

Know how to stop the hedge trimmer quickly in an emergency.

Cut a hedge only in daylight or in good artificial light.

Never operate the hedge trimmer with defective guards or without the guard in place.

Always ensure all handles and guards supplied are fitted when using the hedge trimmer. Never attempt to use an incomplete hedge trimmer or one with an unauthorized modification.

Never hold the hedge trimmer by the guard.

When operating the hedge trimmer, ensure to always keep proper footing and balance.

Always be aware of your surroundings and stay alert for possible hazards that you may not hear whilst operating the hedge trimmer.

Keep all nuts, bolts and screws tight to ensure that the hedge trimmer is always in a safe working condition.

The hedge trimmer should be stored in a dry, high or locked up place out of the reach of children.

Replace worn or damaged parts for safety.

Do not attempt to repair the machine unless you are qualified to do so.

To safeguard against contact with the moving cutter blade, this hedge trimmer is constructed with two handles each with a blade control (switch). To operate the hedge trimmer, both controls must be actuated simultaneously. Do not use the tool, if it runs without a switch being actuated or just one switch being actuated.

### **Recommendations for Optimal Handling of the Battery Pack**

Do not open the battery. There is a risk of short-circuiting.

Protect the battery against heat (e.g., against continuous intense sunlight), fire, water, and moisture as there is a risk of explosion.

In case of damage and improper use of the battery pack, vapours may be emitted. Ventilate the area and seek medical help in case of complaints. The vapours can irritate the respiratory system.

Only use the battery with products from the manufacturer. This is the only way in which you can protect the battery against dangerous overload.

The battery can be damaged by pointed objects such as nails or screwdrivers or by force applied externally. An internal short circuit may occur, causing the battery to burn, smoke, explode or overheat.

Do not short-circuit the battery. There is a risk of explosion.

Occasionally clean the venting slots of the battery using a soft, clean and dry brush.

Charge the machine only with the supplied battery charger.

### **Safety Warnings for Battery Chargers**

Read all safety warnings and all instructions.

Failure to follow the safety warnings and instructions may result in electric shock, fire and/or serious injury.

Save all safety warnings and instructions for future reference.

Use the battery charger only when you fully understand and can perform all functions without limitation or have received appropriate instructions.



Never allow children, persons with physical, sensory or mental limitations or a lack of experience and/or knowledge and/or people unfamiliar with these instructions to use the battery charger. Local regulations may restrict the age of the operator.

Always supervise children. This will ensure that children do not play with the battery charger. Keep the battery charger away from rain or moisture. Penetration of water in the battery charger increases the risk of an electric shock. Immediately pull the plug from the socket outlet if the cable is damaged or cut-through,

Keep the charger clean. Dirt poses a risk of electric shock.

Always check the charger, cable and plug before use. Stop using the charger if you discover any damage. Do not open the charger yourself, and have it repaired only by a qualified specialist using only original replacement parts.

Damaged chargers, cables and plugs increase the risk of electric shock.

Do not operate the charger on an easily ignited surface (e.g., paper, textiles, etc.) or in a flammable environment. There is a risk of fire due to the charger heating up during operation.

Do not cover the ventilation slots of the battery charger. Otherwise, the battery charger can overheat and no longer operate properly.

For increased electrical safety, we recommend using a residual current device with a max. tripping current of 30 mA. Before using, always check your residual current device.

### **Read all safety warnings and all instructions.**

Failure to follow the safety warnings and instructions may result in electric shock, fire and/or serious injury.

Please observe the illustrations at the ending of this operating manual.

### **Intended Use**

The machine is intended for cutting and trimming hedges and bushes in domestic use.

### **Before Using**

Remove all packaging materials and remove remaining packaging and package inserts.

Check that the package contents are complete.

Check the appliance, the power cord, the plug and all accessories for transportation damage.

# Diagram of the Product

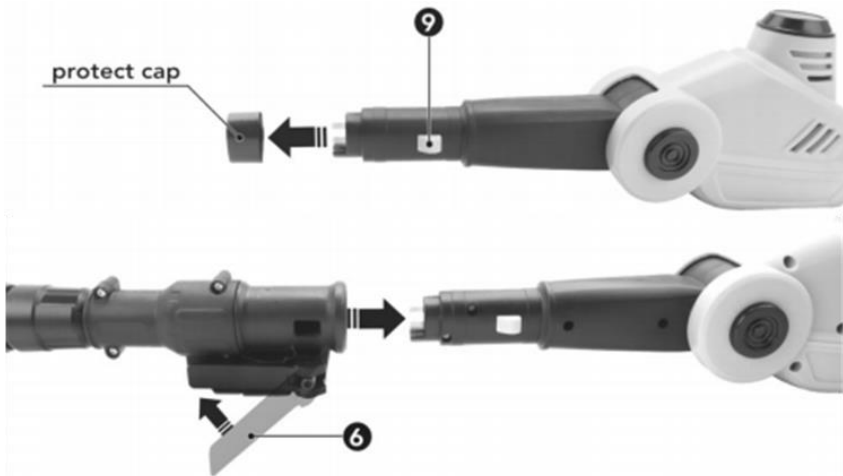


## Operating the Product

### Connecting the Poles

Open the locking lever (6) and take off the protect cap on the trimmer head collar. Align the telescopic pole with the trimmer head and press the button on the trimmer head collar. Slide the telescopic tube part into the motor head part.

Please pay attention that the release button on the motor head must be locked into the guide hole when fully inserted. Then press the lock trigger down to engage the lock and make sure the motor head is secure.



### Adjusting the Telescopic Tube

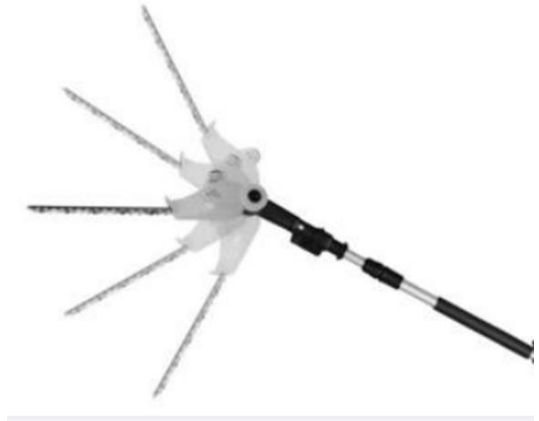
You can adjust the telescopic length by loosening the length adjustment collar. When the desired length is achieved, tighten the collar to fix the length in place.



## Adjusting the Angle of the Motor Housing

This pole hedge trimmer provides 10 cutting positions for different cutting angles. Adjust the cutting head angle to fit the growth of the plant.

Press the locking button on the left and right of the trimmer head and adjust the working head until it snaps securely into place at one of the ten positions indicated by the notches.



## Charging the Battery

The power voltage supply must confirm to that specified on the rating plate of the use rapid charger. Always inspect the battery charger, power cord and plug before use.

Always have damage repaired by a qualified professional. Protect the battery charger against humidity and operate only in dry areas. The supplied charger is suitable for charging batteries only.

Red Indicator Light means the battery is charging.

Green Indicator Light means the battery has finished charging.



The charger must only be used with a rechargeable battery. Never use an un-rechargeable battery. Do not expose the charger to rain or water.

## Inserting and Removing the Battery

Hold the tool with one hand and the battery pack with the other.

To install, push and slide the battery pack into the battery port. Make sure the release button on the rear side of the battery snaps into place and the battery is secure before beginning operation.

To remove, press the battery release button and pull the battery pack out at the same time.

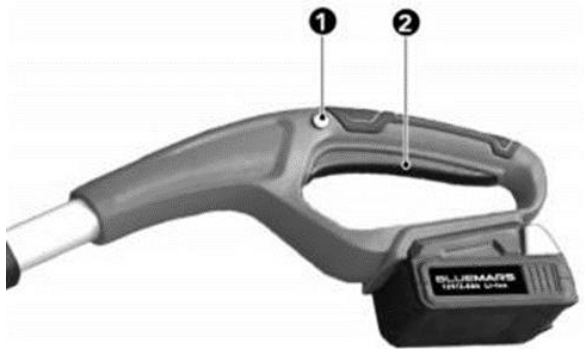


**WARNING:** Before making any adjustments ensure the tool is switched off or remove the battery pack. The product must be fully assembled before operation. Do not use a product that is only partly assembled or assembled with damaged parts.

## Starting the Machine

Switching On: first push the lock off button to the front position (1), then press the trigger switch (2) at the same time.

Switching Off: Release the trigger switch to stop the machine.



## **Cutting Hedges**

Before starting work, select branches with a diameter no larger than 14mm and cut them with the pole hedge trimmer. A trapezoidal cut corresponds to the natural growth of plants and results in optimal hedge growing.

When cutting wide hedges with the cutting area in sight, move the cutting blade lightly through the cutting surface in a sweeping motion following the shape of the hedge or recommended for optimum cutting performance.

Cut in a number of stages if the area being cut is particularly long to achieve a better result. Smaller cuttings will allow for easy composting.

Lubricate the internal surfaces of the blade if the cutting device overheats during operation.

## **Cleaning, Maintenance and Storage**

Check our machine regularly before starting the work.

Damaged cutting blades must be repaired or exchanged by a qualified service person before working with the machine.

After each cutting operation, clean the cutting blade with a soft brush and cloth with lubricating fluid oil and spray a thin layer of fluid protective oil on the blade.

Always keep the ventilation slots in the motor housing clean.

Never clean or spray the machine with water. Clean the motor housing only with a moist cloth and never apply detergents or solvents. These could ruin the plastic parts of the machine. Finally, dry the motor housing carefully.

Store the machine with the supplied protection cover.

Only use original accessories and spare parts.

## Troubleshooting

Problem	Possible cause	Solution
Product does not start	Battery pack not properly attached.	Attach properly.
	Battery pack discharged.	Remove and charge battery pack.
	Battery pack damaged.	Replace it with a new one of the same.
	Another electrical defect to the product	Check by a specialist electrician
Product does not reach full power	Battery pack capacity too low	Charge battery pack
	Air vents are blocked	Clean the air vents
Unsatisfactory result	Blade is worn/damaged.	Replace with a new one.
	Thickness of branches exceeds capacity	Only cut branches complying with the capacity
Excessive vibration or noise	Blades are dull/damaged.	Have it replaced with a new one.
	Bolts/nuts are loose	Tighten bolts/nuts

## Spare Parts and Repairs

---

To order replacement parts, please go to [www.nettadirect.com/parts](http://www.nettadirect.com/parts).

You will need PDC information from your product, user manual or carton box. Alternatively, go to our website and use the search bar to find the parts available. You can also find this code on the [back of this user manual](#).

For our Repair Service, please contact our customer support via email at [support@nettadirect.com](mailto:support@nettadirect.com). They will provide you with more details of the repair service offered by NETTA.

## Disposal of Product

---

**IMPORTANT INFORMATION FOR CORRECT DISPOSAL OF THE PRODUCT IN ACCORDANCE WITH EC DIRECTIVE 2002/96/EC.**

### **DISPOSAL:**

Please dispose of this product responsibly. This item cannot be disposed of in general waste. Please contact your local council authority for more information on how to dispose this product. If this product is disposed of with general waste, it will end up in a landfill and will leak hazardous substances into the groundwater – effecting our food chain.



## Your Warranty

---

If you purchased with NETTADIRECT, or one of our authorised resellers, you will automatically enrol your warranty for 1 (ONE) year. You do not need to register again for your warranty. All warranties will be carried out to our terms and conditions, including warranty conditions, which you can find out from our website at [nettadirect.com](http://nettadirect.com).



## Copyrights

---

NETTA and its logo including images and contents in this manual and website is copyrighted. All intellectual property rights belong to NETTA owner CONSUMABLE DIRECT LIMITED.

ANY UNAUTHORISED USE, MODIFICATION or DISTRIBUTION of the NETTA logo, website image, and its contents (from website, manuals) will violate worldwide copyright, trademark and associated laws.

We reserve the right to proceed with lawsuits to anyone who is found breaching our copyrights policy. For more details, please check our website copyright policy for more information.

## Product Dependency Code (PDC)

---

Your PDC is below:

**PDC: ASYPHT745020**  
**SKU: 104108**

NETTA is a registered trademark of CONSUMABLE DIRECT LIMITED.  
Product Produced for CONSUMABLE DIRECT LIMITED M30 0QF U.K.