

20V POLE HEDGE TRIMMER AND CHAINSAW



**RATED
POWER**
20V

**BATTERY
TYPE**
Lithium-ion

**CHARGE
TIME**
1-hour approx.

**NO-LOAD
SPEED**
1200/min

EN

Thank you for purchasing this NETTA product.

Please read the user manual carefully before operating this appliance.

We will update our instruction manuals if necessary.

For the most up-to-date user manual, please visit our official website:
www.nettdirect.com.

You can download a copy of up-to-date user manuals at any time in electronic format. We do not supply you with a paper-based user manual after each revision.

Require a larger version of this Instruction Manual?

Please download electronically from our website and use PDF reader on your device to enlarge the text if needed.

www.nettdirect.com

SAFETY & WARNINGS...

INTENDED USE

NETTA Design is for domestic and indoor use only. This product is not intended for use by people who have lack of experience and knowledge or have reduced ability, or sensory and mental capabilities. Keep supervised when groups of people use this item.

REGULAR CHECKUPS

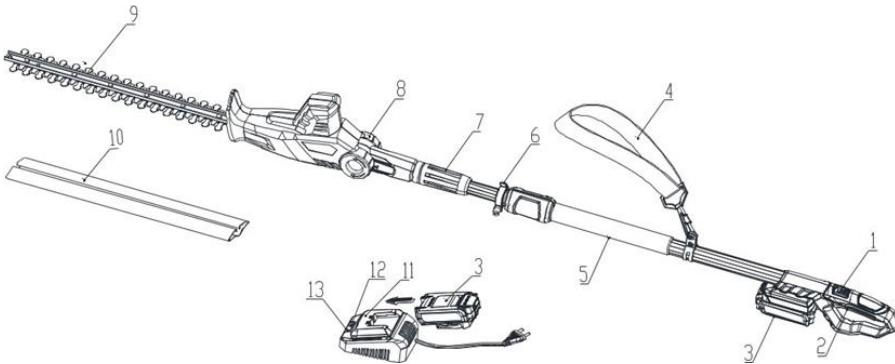
- Check cables every time before plugging into a socket, make sure power cables are not burst or snapped and that the power-plug has no damage.
- Check all the knobs are functioning correctly.

GENERAL CAUTIONS

- Always follow this instruction manual and go through all the safety checks.
- This is not toy - do not let children play with it.
- **DO NOT** modify this product in any way.
- Keep work areas clean and well lit.
- Do not operate tools in explosive atmospheres.
- Before using an electric powered appliance, check the rating label and voltage information on this manual, or the rating label on back of the machine.
- Always connect the device to a socket with Residual Current Device (RCD) fitted with your home circuits.
- If you are unsure, please seek a certified election for advice.
- The appliance must not be immersed in liquid.
- Do not use power tools in wet or damp conditions.
- Do not overload your power tools. Match each tool to the task.
- Do not use any power tool if the on/off switch is damaged.
- Check that the moving parts of your tool operate smoothly and are not cracked or damaged.

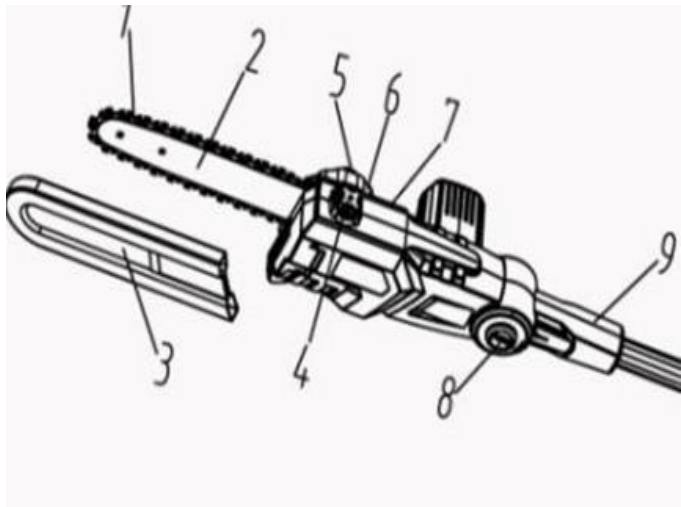
RISK OF PERSONAL INJURY

- DO NOT use the appliance other than for the intended use.
- Use personal protective equipment. Always use eye protection.
- Use ear protection.
- Do not wrap the device in a cloth or other material to suppress noise. This will hinder the proper ventilation of the device. This could ignite a fire and cause burns.
- Wear soft gloves when using this tool to prevent discomfort.
- Hold the power tool firmly to reduce the vibration levels.
- Ensure the switch is in the off position before connecting to a power source, picking up or carrying the tool.
- Remove any adjusting keys or wrenches before turning the tool on.
- Do not overreach. Keep proper balance at all times.
- Do not wear loose clothing or jewellery.
- Take a break if you feel vibration-related discomfort.
- DO NOT operate any appliance with a damaged cord or plug or after the appliance malfunctions or is dropped or damaged in any manner. Return appliance to the nearest authorized service facility for examination, repair or electrical or mechanical adjustment.
- If the supply cord is damaged it must be replaced by the manufacturer or an authorized service agent or a qualified technician in order to avoid a hazard.
- The use of accessories is not recommended by the manufacturer as they may cause injuries to persons.
- Do not let the cord hang over the edge of a table or counter or touch a hot surface.
- Do not place on or near a hot gas or electric burner or in a heated oven.
- Unplug from outlet when not in use and before cleaning.



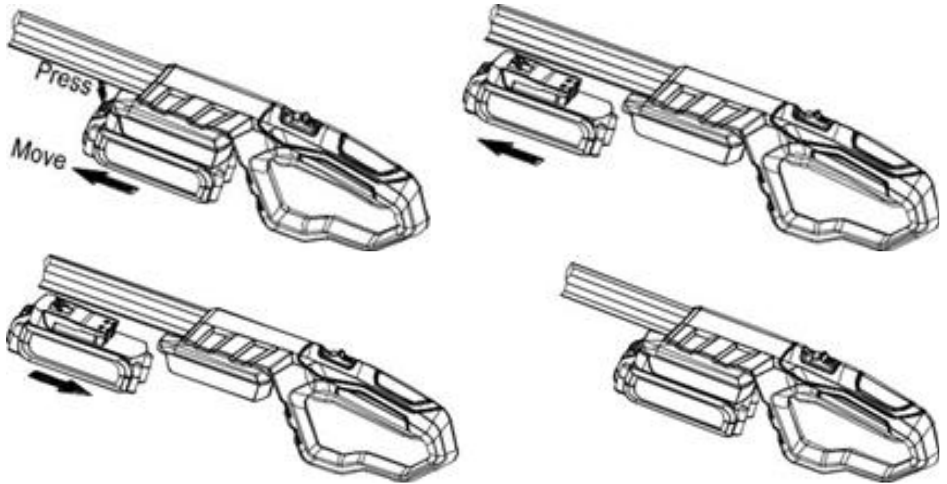
- 1. Lock-off Button 2. Main Switch Handle 3. Battery Pack
- 4. Strap Guard 5. Sponge 6. Locker 7. Lock Nut
- 8. Lock Button 9. Blade 10. Blade Sheath 11. Switch Trigger
- 12. Battery Pack 13. Battery Charger

- 1. Saw Chain
- 2. Guide Bar
- 3. Scabbard
- 4. Cap
- 5. Tension Wheel
- 6. Adjusting Wheel
- 7. Sprocket Cover
- 8. Button
- 9. Connecting Rod

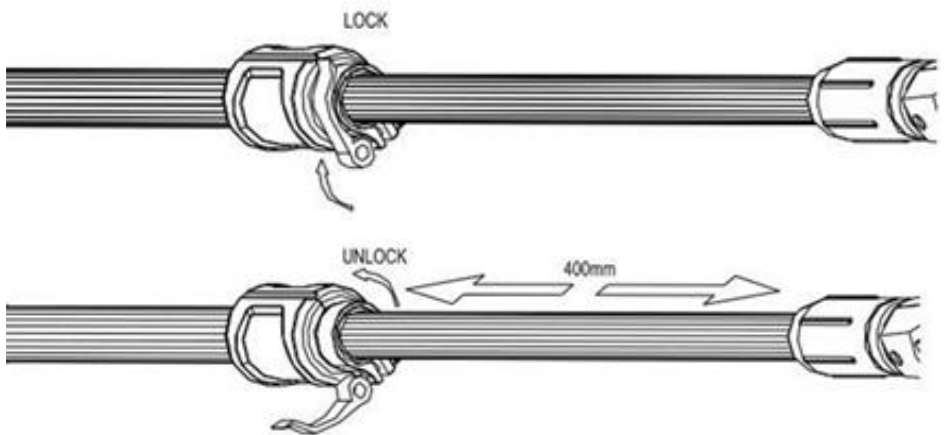


OPERATING THE PRODUCT

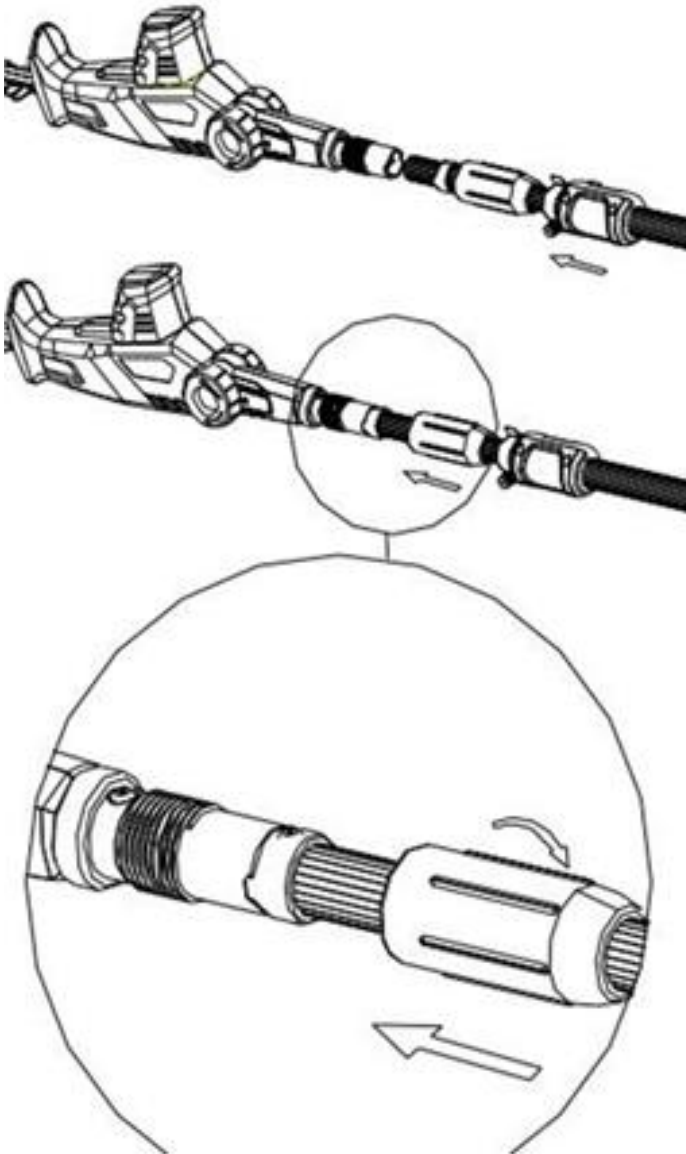
Removing or Installing Battery Pack



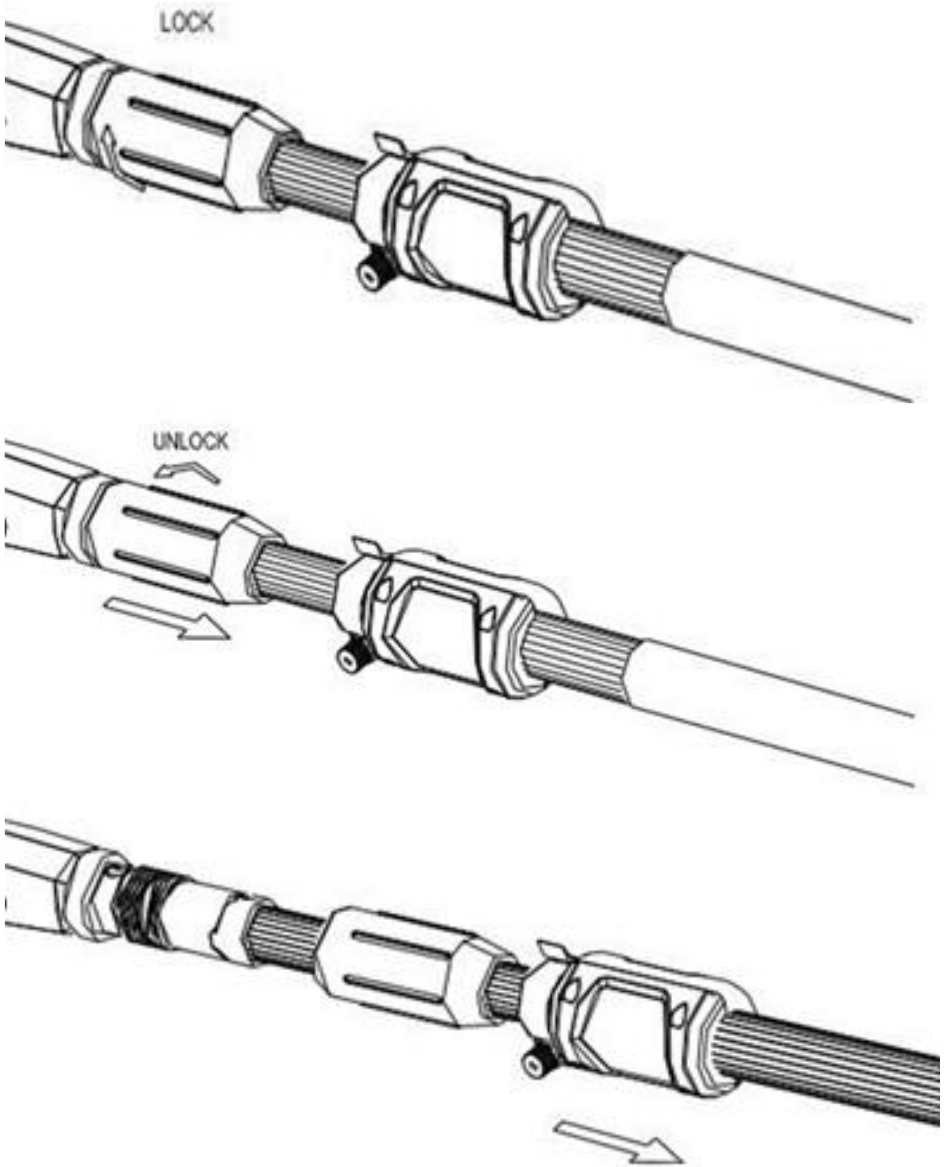
Extending the Pole



Extending the Pole



Extending the Pole



Proper Use

This tool has been designed for cutting lawns, small areas of grass, bushes, and small hedges in private gardens.

This tool is not suitable for use in public facilities, parks, sports centres, along roads, on farms or in the forestry sector.

Initial Operation

- Insert battery pack into the bottom of the handle (until click)
- Remove the battery pack by pressing the release buttons on the battery pack at the same time by pulling the battery pack out.

To Change the Battery

- Remove the battery pack from the tool.
- Check that your mains voltage is the same as marked on the rating plate of the battery charger.
- Insert the charger pole to the battery charging hole.
- Connect the charger plug to the house socket.
- The temperature of the battery may rise slightly during the charging operation. This is normal.
- Timely recharging of the NC battery will help it serve you well for a long time. Recharging is always necessary when you notice a drop in the tool's performance.
- Never allow the battery to become fully discharged as this may result in a defective battery.
- Only use the battery charger in dry rooms.

Adjusting the Cutting Length

- Lift the knob on the coupler
- Pull the lower shaft until it is in a comfortable position.
- Tighten the knob securely.
- If the button does not release completely in the positioning hole, the shafts are not locked into place. Slightly rotate from side to side until the button is locked into place.
- Be certain the knob is fully tightened before operating equipment, check it periodically for tightness during use to avoid serious personal injury.

Assemble the Chain and Chain Bar

- Lay the chain into the groove. Observe the correct cutting direction. There are directional arrows on the chain which must correspond with the arrows on the housing.
- Mount chain and guide bar. Lay the chain around the drive sprocket and set the guide bar down onto the unit. Make sure the chain tensioner snaps into the hole in the guide bar.
- Remount the plastic cover and tension the chain. Liberally oil it with chainsaw oil and let the chain run for a few moments.

Starting and Stopping the Pruner

- To start the tool, press the lock button and press the trigger. Release the lock button once the motor has started.
- To stop the pruner, release the trigger.
- To remove the battery, push the battery lock button.

Changing of the Saw Chain

Always take the battery pack off the appliance before undertaking any maintenance work.

- The saw chain is full of sharp edges. Always wear gloves when handling.
- Slacken the chain until it hangs loose by inserting the included combination tool into the head screw of the chain tensioner.
- Turn the screw anti-clockwise until the chain is very loose.
- Remove the black plastic cover. Unscrew the hex nut and take out the spring washer. Take off the plastic cover and lift chain and guide bar off the unit. After dismounting the guide bar and chain, lift the chain off the guide bar and set it aside.

Ensure you clean oil and saw dust out of the area under the plastic cover with a brush or blow it out with compressed air. Be especially sure to clean out the oil duct.

Clean the groove of the guide bar with a suitable tool or blow it out with compressed air. Take special care to clean the oil ducts in the guide bar.

Inspect the chain guides for wear and if necessary, carefully smoothen them with a file and emery cloth. If the guide bar is worn beyond repair, then it must be replaced with a new one.

Chain Tension

The chain should not be too loose, but you should be able to lift it off the guide bar by a few millimetres. Use the chain tensioner to tension the chain.

Always take off the battery pack before undertaking any maintenance work. The Allen head screw of the chain tensioner is at the front of the pole saw next to the guide bar.

Turning it clockwise tightens the chain, turning it anticlockwise slackens the chain. Beware of the sharp edges of the saw chain.

Cutting Tips for Chainsaw

Do not work with an angle higher than 60 degrees. The pole saw will work under higher degrees, but there is a danger of being injured by branches falling without warning.

Keep an eye on the ground while working to avoid tripping over fallen branches.

Never use the pole saw without oil, use bio-degradable chainsaw oil.

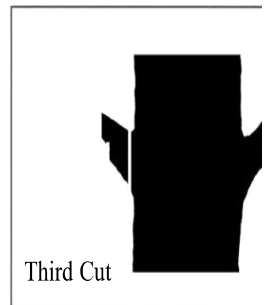
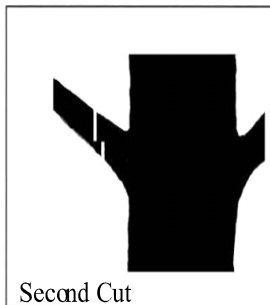
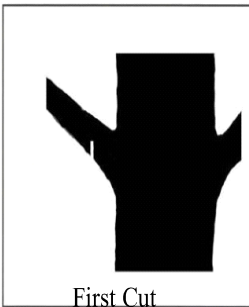
To operate the pruner, push forward the safety switch and then pull the switch. The pruner is equipped with a low-kickback chain however, some kickback cannot be avoided when cutting with the upper tip of the blade. Be prepared when using this area of the blade or hitting another branch with this area. Always hold the unit firmly in both hands.

Thin branches can be cut off with one single cut. To prevent the branch from splintering and buckling, it should be cut off in several pieces.

When cutting off larger branches, you should first cut into the branch from below. First cut into the branch from below the place where you intend to cut off the branch.

The cut should go from one third to halfway through the branch. This prevents the branch from buckling when you cut into the branch from the top.

Lastly, cut off the stump with one clean cut.



Lubrication

After each use, clean the blades and lightly lubricate with general purpose oil or spray lubricants.

FAULT	CAUSE	TROUBLE-SHOOTING
The pruner runs but is not cutting	The chain is fitted in reverse on the guide bar	Refer to the assembly of guide bar and chain
The pruner will cut only if the speed is high, result is only chips with several larger parts	The chain is blunt	Refer to the saw chain sharpening
The motor runs but the chain will not	Faulty sprocket wheel.	Contact support@nettadirect.com
No oil is supplied to the change	<ol style="list-style-type: none"> 1. Guide bar oil tank plugged 2. Oil too thick 	<ol style="list-style-type: none"> 1. Remove the guide bar and clean the oil tank 2. Use the right oil
The chain gets loose from the guide bar	<ol style="list-style-type: none"> 1. Chain Slackened 2. Guide bar and chain misassembled 	<ol style="list-style-type: none"> 1. Tighten the chain. See chain tension set-up 2. See guide bar and chain installation.
The unit is smoking	The unit is faulty. Do not use it.	Contact support@nettadirect.com
Oil leaking from the unit	Oil tank cover not closed	Tighten the oil tank cover. Empty the oil tank while the unit is out of use.

SPARE PARTS/REPAIR

To order replacement parts, please go to www.nettadirect.com/parts.

You will need PDC information from your product, user manual or carton box. Alternatively, go to our website and use search bar to find the parts available.

You can also find this code on the [back of this User Manual](#).

For our Repair Service, please contact our customer support with email on support@nettadirect.com they will provide with more details of repair service with NETTA.

DISPOSAL OF PRODUCT

IMPORTANT INFORMATION FOR CORRECT DISPOSAL OF THE PRODUCT IN ACCORDANCE WITH EC DIRECTIVE 2002/96/EC.

DISPOSAL:

Please dispose of this product responsibly. This item cannot be disposed of with general waste. Please contact your local council authority for more information on how to dispose this product. If this product is disposed of with general waste, it will end up in a landfill and will leak hazardous substances into the groundwater – effecting our food chain.



YOUR WARRANTY

If you purchased with NETTADIRECT, or one of our authorised resellers, you will automatically enrol your warranty for 1 (ONE) year. You do not need to register again for your warranty. All warranties will be carry out our terms and conditions include warranty conditions you will find out from our website at www.nettadirect.com.

COPYRIGHTS

NETTA and its logo including images and contents in this manual and website is copyrighted. All intellectual property rights belong to NETTA owner CONSUMABLE DIRECT LIMITED.

ANY UNAUTHORISED USE, MODIFICATION or DISTRIBUTION of the NETTA logo, website image, and its contents (from website, manuals) will violate worldwide copyright, trademark, and associated laws.

We reserve the right to proceed with lawsuits to anyone who is found breaching our copyrights policy. For more details, please check our website copyright policy for more information.

PRODUCT DEPENDENCY CODE (PDC)

Your PDC is below:

PDC:
MOEL-ET-510-200
SKU: 103764

NETTA is a registered trademark of CONSUMABLE DIRECT LIMITED.
Product Produced for CONSUMABLE DIRECT LIMITED M30 0QF U.K.