



**WILLIAM OPTICS**

# PLEIADES 68

MANUAL



|                         |       |
|-------------------------|-------|
| Specification .....     | 2-4   |
| Package Contents .....  | 5     |
| Parts .....             | 6     |
| Telescope Diagram ..... | 7-10  |
| Operation Guide .....   | 11-15 |
| Accessories Map .....   | 16    |

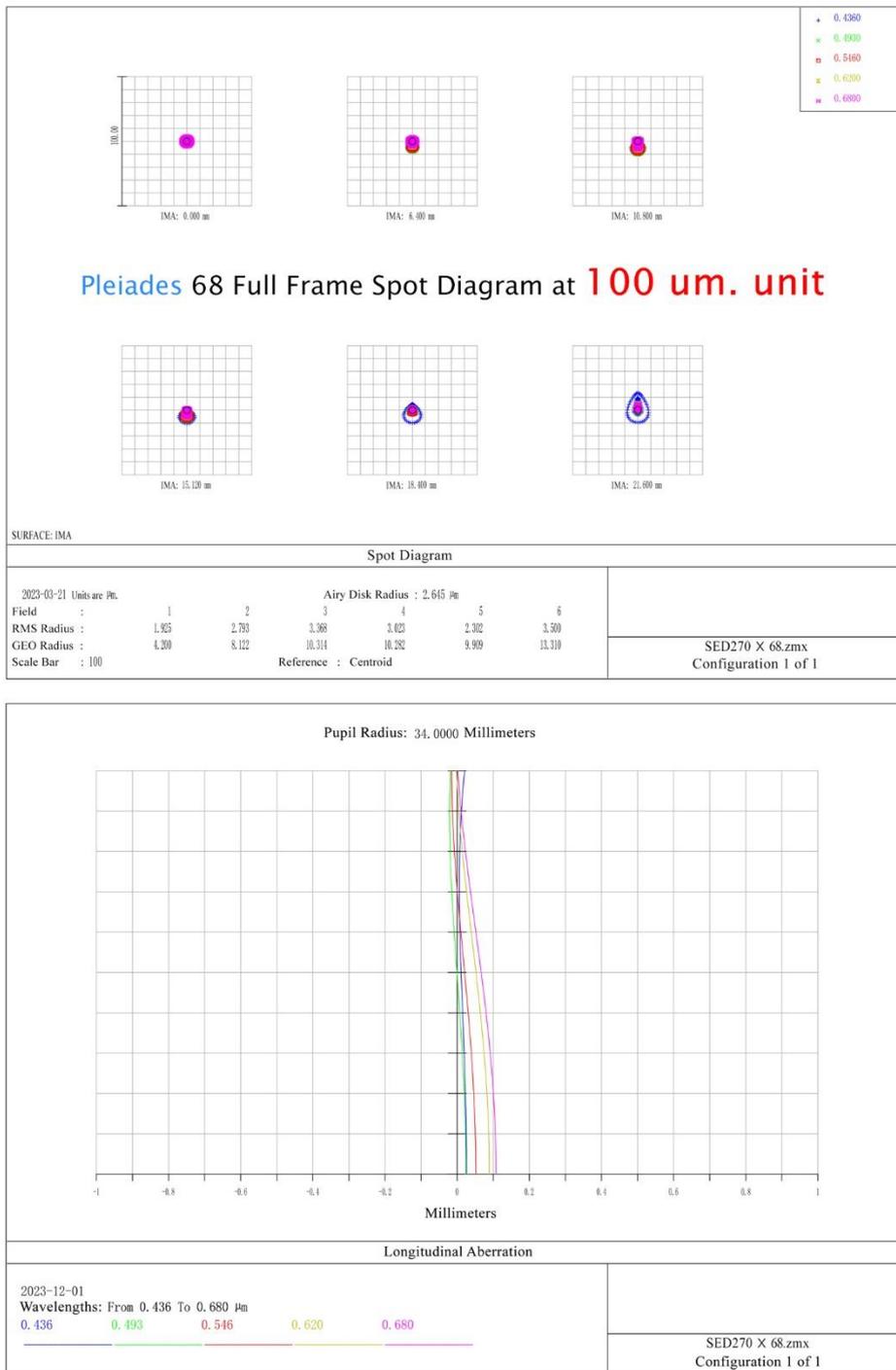
### **Warning**

Never aim your telescope or finder scope at the Sun without proper Solar filters installed on the front of the telescope. Doing so for even a moment may permanently damage your vision. Proper Solar filters consist of filters made by reputable manufacturers, designed to fit tightly over the front of the dew shield. Solar eyepiece filters are not considered safe, and should not be used. With proper front mounted Solar filters, the telescope will not be harmed by viewing the Sun.





- **Focal Length** : 260mm
- **Diameter** : 68mm
- **Aperture** : f/3.8
- **Focuser** : WIFD (WO INTERNAL FOCUS DESIGN)  
**Patented** (Compatible with EAF)
- **Image Circle** : >Full Frame (45mm)
- **Retracted Length** : 366mm
- **Extended Length** : 410mm
- **Dew Shield Circumference** : 325mm
- **Dew Shield Diameter** :  $\phi$ 103mm
- **Weight** : 6.57lbs / 2.980kg (OTA only)  
8.45lbs / 3.835kg (OTA with ring, dovetail and saddle)

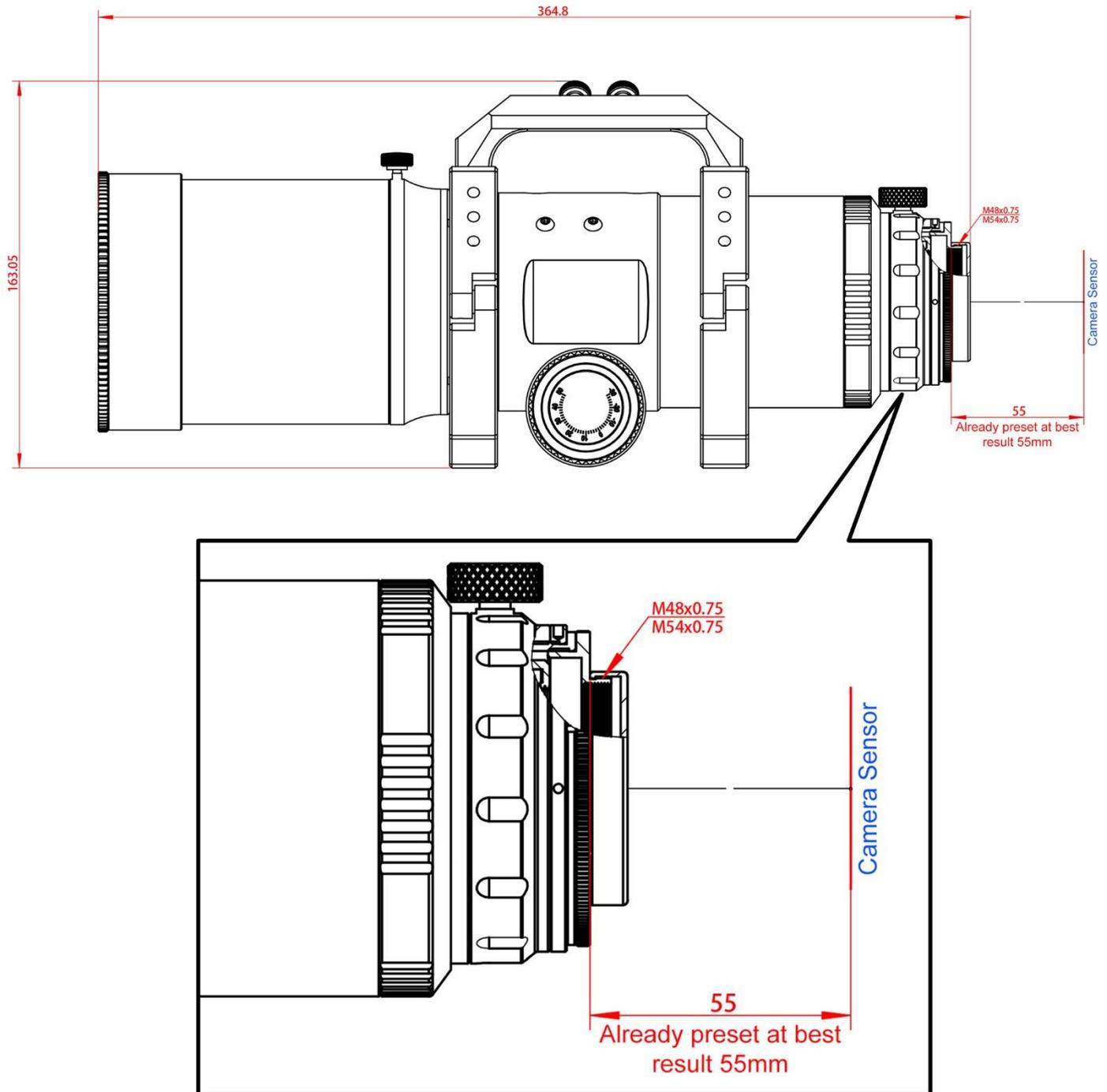


## NOTE:

We are using a new lens cell design in the WO Pleiades series telescopes. This design incorporates the use of high-quality FPL-53 glass for superior optical performance. Before storing your telescope, it is crucial to allow it sufficient time to acclimatize to room temperature. Please ensure that the telescope is thoroughly dry, free of dew or moisture, before storing. This ensures the safety and longevity of the telescope's components.

Always store the telescope in a consistent-temperature and dry environment to prevent any potential damage to the optical elements. Remember to leave the tube uncovered and opened during the acclimatization period. As always, taking appropriate care of your telescope will ensure its optimal performance and extend its lifespan.

# Back Focus

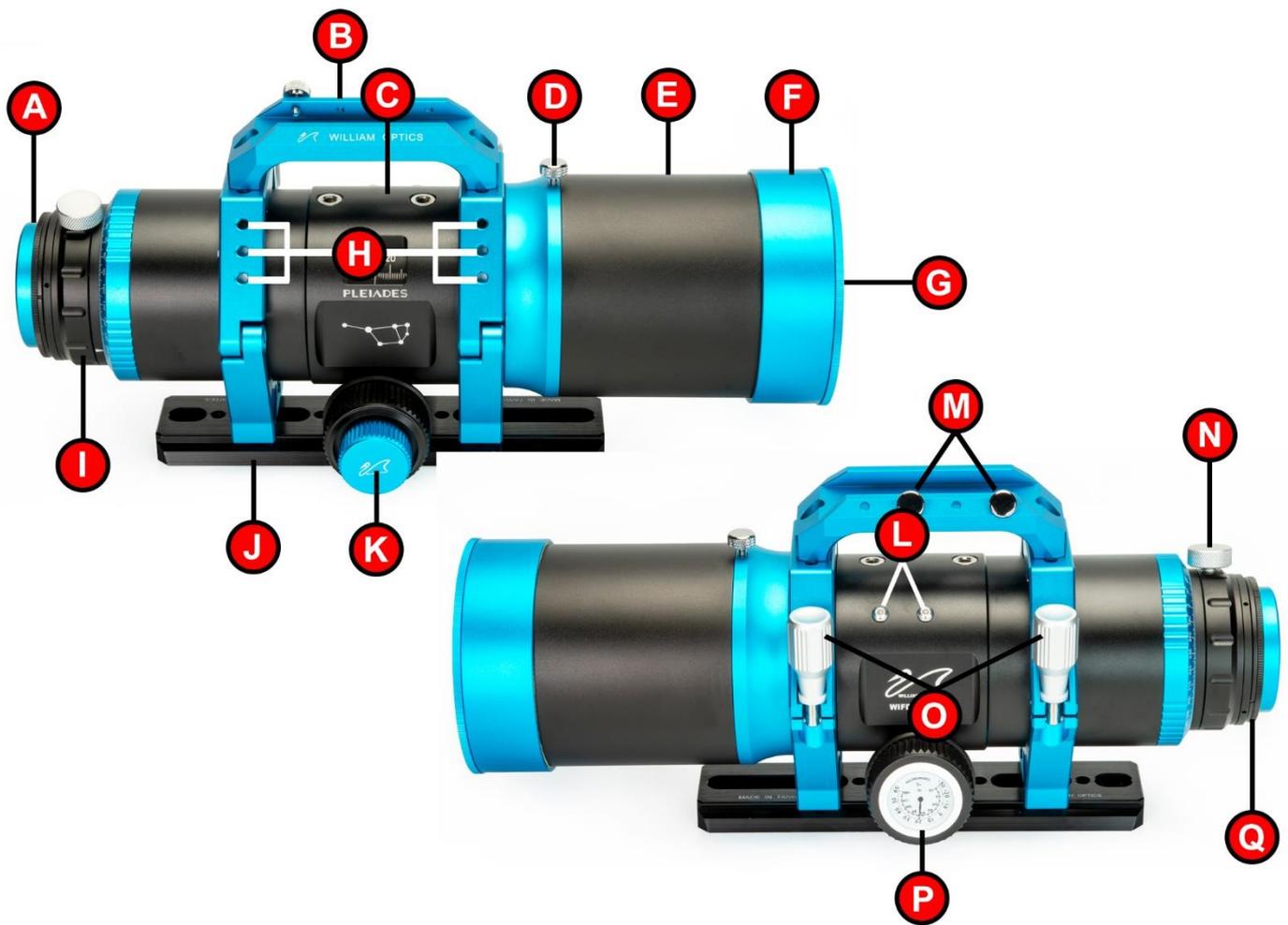


## Critical Backfocus Information:

The recommended backfocus for our 68 telescope is precisely 55mm. Given its fast F ratio, maintaining an exact 55mm backfocus is crucial for optimal performance. Please ensure accurate adjustment to enhance the sensitivity and overall functionality of your telescope.



- A. Dust Cover with Bahtinov Mask
- B. Dew Shield
- C. Main Tube
- D. 120mm Saddle Handle Bar
- E. Camera Angle Rotation Device
- F. Tilt Adapter (inside)
- G. 210mm Vixen Style Dovetail Plate
- H. M54 or M48 Camera Mount Adapter
- I. Soft Carry Case



- A. Rear Dust Cap (M54 or M48)
- B. 120mm Saddle Handle Bar
- C. WIFD Focuser
- D. Dew Shield Locking Screw
- E. Dew Shield
- F. Lens Cover with Bahtinov Mask
- G. Front Bahtinov Mask Cover
- H. M6 Screw Holes for Finder Bracket
- I. Camera Angle Rotator
- J. 210mm Dovetail

- K. 2 Speed 10:1 Ratio Fine Knob
- L. M4 Screw Holes for Finder Bracket
- M. Locking Screws on Saddle Handle Bar (M4)
- N. Camera Angle Rotation Locking Screw
- O. Mounting Rings / Knobs
- P. Focuser Adjusting Knob with Thermometer
- Q. Camera Mount Adapter (M54 or M48)

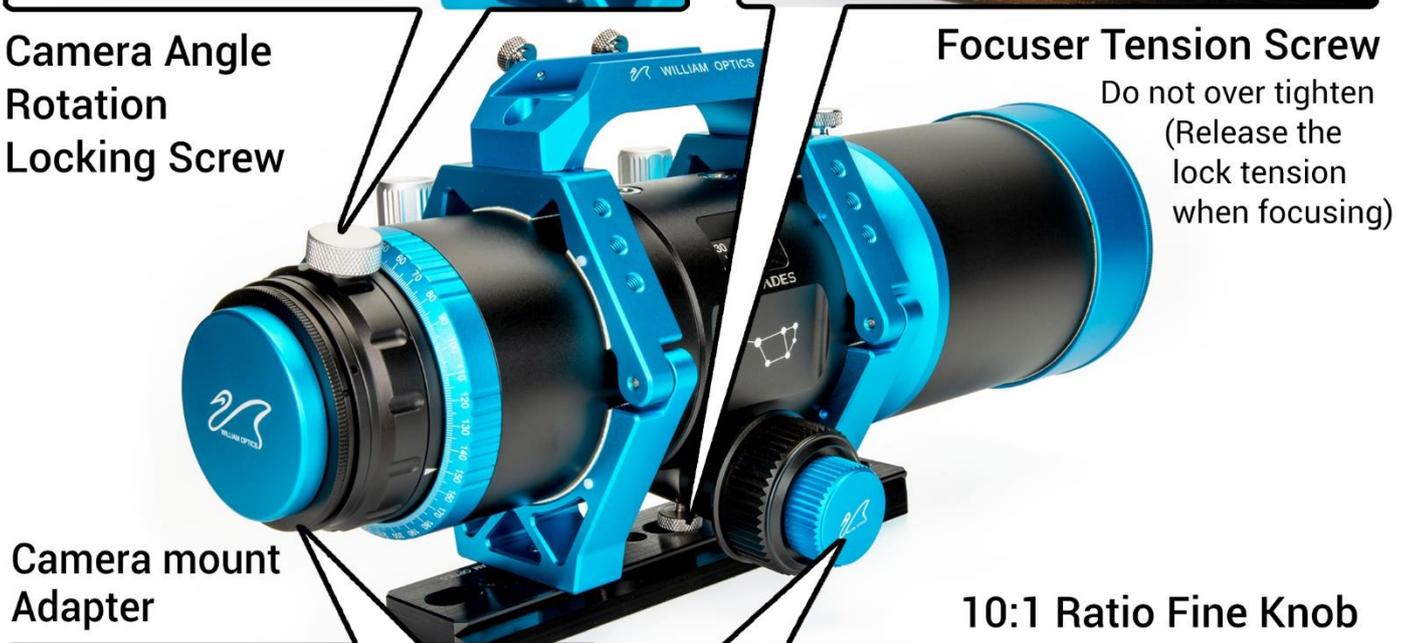




Camera Angle  
Rotation  
Locking Screw



Focuser Tension Screw  
Do not over tighten  
(Release the  
lock tension  
when focusing)



Camera mount  
Adapter

10:1 Ratio Fine Knob



Included in the standard package



**Attention:** Our telescope does not feature an internal M48 filter thread due to its proximity to the second lens group near the camera adapter. This design choice prevents interference with the lenses within the telescope tube, making direct attachment of a 48mm filter challenging. For optimal results, we recommend using a filter wheel attached to either M48 or M54 thread. This ensures seamless filter usage without compromising the telescope's optical performance.



Tension Screws  
(for increase focuser tension)



Finder Bracket Holder  
Screws (remove both  
screws before use)



Use 5mm Allen Key



Use 2.5mm Allen Key

## R & P GEAR SPACING SCREWS

- Adjustment Screws (3 mm Allen Key) - Pull Screw
- Adjustment Screws (2 mm Allen Key) - Push Screw
- Can be Removed to Attach the Electronic Motorized Device such as EAF (Please refer to the instructions on page 13)
- Tension Screw (Please refer to Note 2)
- Do Not Touch



### IMPORTANT NOTE:

1. The focuser smoothness adjustment **ONLY** when necessary by progressively push & pull screws until you reach the desired smoothness.
2. When using the telescope with the motor, please ensure that the tension screw is not over-tightened. Over-tightening the tension screw may cause damage to the focuser.

Think of it like driving a car and pressing the gas pedal while also pressing the brake simultaneously. Just as this action could harm your car's systems, over-tightening the tension screw could compromise the functionality of your telescope's focuser.

# Where Is the Tilt Adapter?

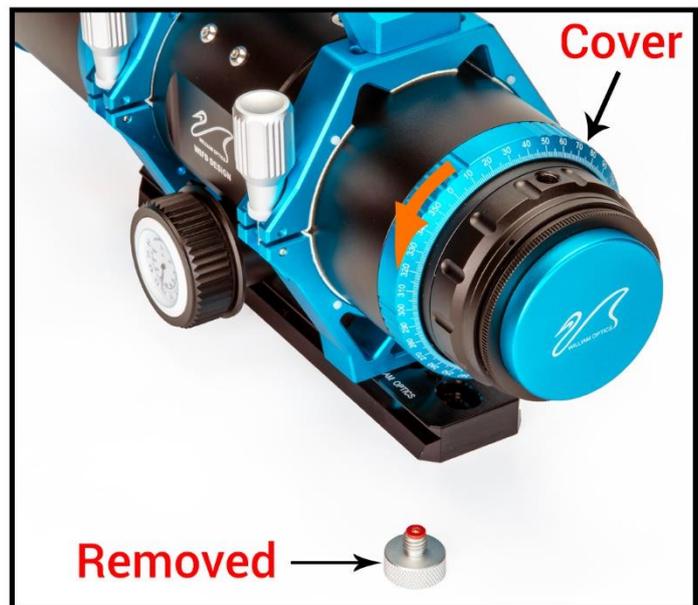


## Step 1.

Remove the rotator knob.

## Step 2.

Twist the cover.



## Step 3.

The tilt adapter is inside.

# Where Is the Tilt Adapter?

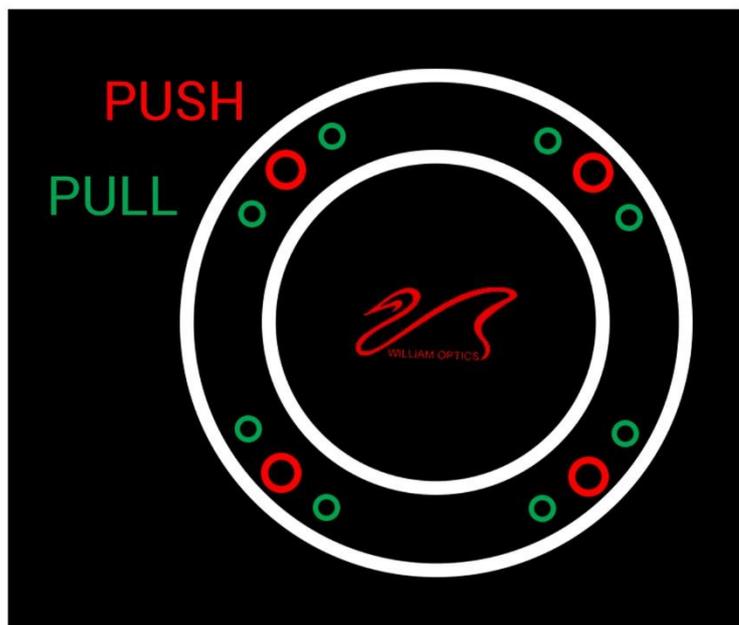


## Step 4.

Remove the cover when you need to adjust it.

## Step 5.

How to adjust the tilt adapter.



# How to Install EAF



## Step 1.

Remove the top screw with 2mm Allen key.

## Step 2.

Release two inner knob screws.



## Step 3.

Remove the knob.

# How to Install EAF



## Step 4.

Align the screw holes.

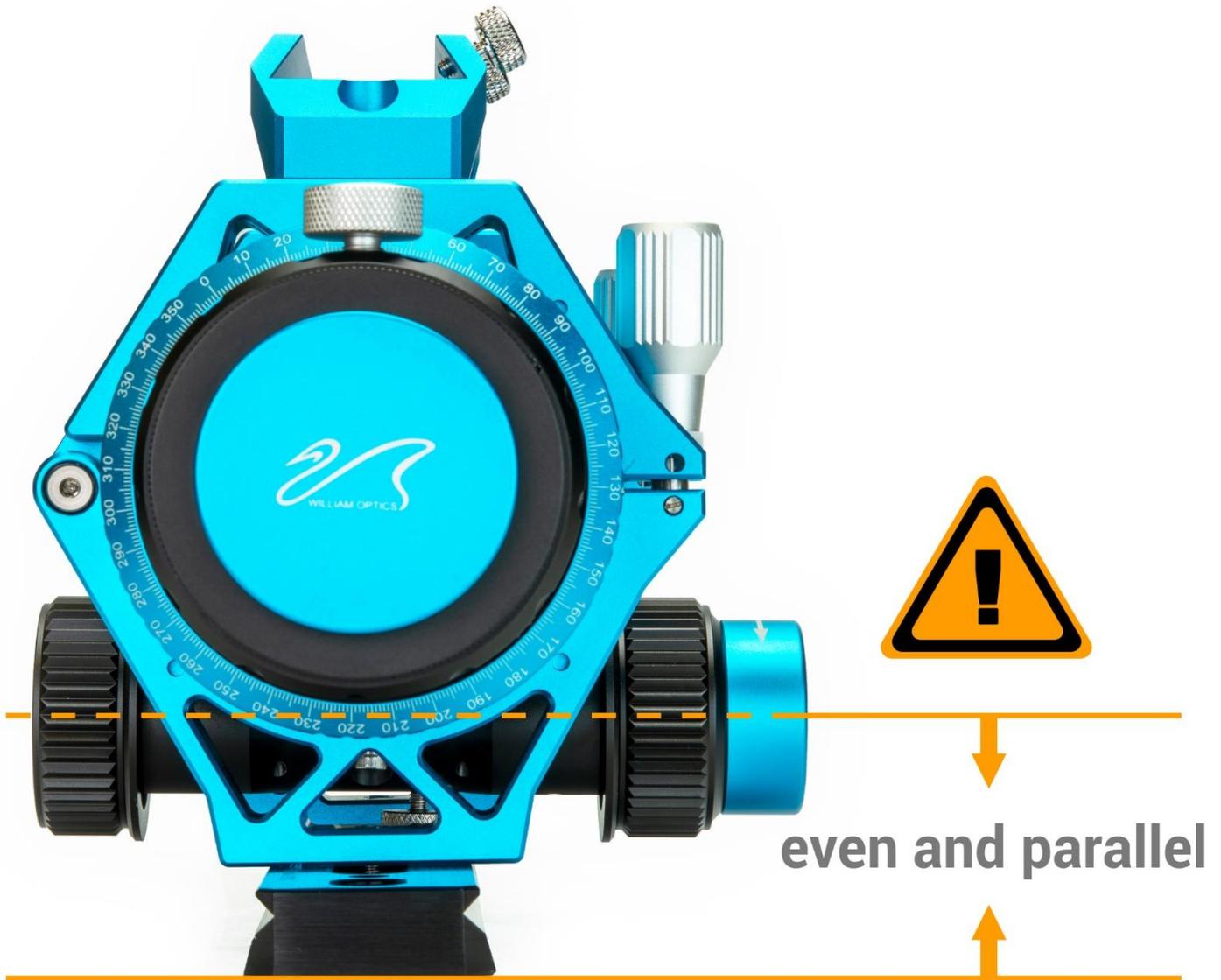
## Step 5.

Lock two set screws on shaft.



## Step 6.

Tighten both bracket screws.



**NOTE:**

**Ensure** proper alignment by loosening the mounting rings and adjusting the telescope on the mount to guarantee that both knobs on either side of the focuser are **even and parallel** to the mount to prevent any interference with the knobs impacting the mount's saddle plate.

# Cinematagraphy



Losmandy Plate  
(Black)



Camera mount



# Astrophotography



Red Dot Sight



STC  
Astro-Multispectra Filter  
Astro Duo-Narrowband Filter



M-G32PB-BU (optional)

