

# SPACE™ TRAILERS

## Owner's Manual



Model Number: \_\_\_\_\_

Serial Number: \_\_\_\_\_

Date of Purchase: \_\_\_\_\_





## Table Of Content

### Introduction

Owner Information .....	3
Features .....	4
Accessories .....	4

### Safety

Safety Information .....	5
Owner's Responsibility .....	6
Operating Safety .....	7
Transporting Safety .....	8
Decal Replacement .....	9

### Operation

Operation .....	11
Canopy Removal .....	11
Canopy Installation .....	15
Adjusting And Removing SPACE Bars .....	19
Connect Trailer To A Vehicle .....	20
Opening, Closing and Locking The Canopy .....	24
Loading The Trailer Compartment .....	33
Loading The SPACE Bars .....	35

### Maintenance

Daily Inspection .....	37
Yearly Inspection .....	42

### Specifications

Trailer Specifications .....	45
------------------------------	----

### Warranty

In Case Of Major Defect .....	47
SPACE™ Trailers Limited Warranty .....	49

Intentionally left blank



## **Introduction**

### **Owner Information**

Thank you for your decision to purchase a SPACE Trailer. To ensure maximum performance of your SPACE Trailer, it is mandatory that you thoroughly study the owner's manual and follow its recommendations. Proper operation and maintenance are essential to prevent injury or damage and to maximize trailer life.

Operate and maintain this trailer in a safe manner and in accordance with all applicable local, state, and federal codes, regulations and / or laws, and in compliance with on-product labeling and these instructions.

Make sure that all personnel have read this owner's manual and thoroughly understand safe and correct operating and maintenance procedures.

Continuous improvement and advancement of SPACE Trailer products may result in changes to your equipment that may not be reflected in this publication. SPACE Trailer reserves the right to make product improvements to the trailer at any time. Although great care has been taken to ensure the accuracy of this publication, SPACE Trailer does not assume any liability for errors or omissions.



## **Features**

- Tailgate Supports 250 lbs. (113 kg)
- Removable Canopy
- Weatherproof Design
- Lockable Storage

## **Accessories**

- Adjustable SPACE Bars (To Haul Bicycles, Canoes, Etc. On Top Of The Canopy)
- Longneck Tongue (To Haul Canoes, Kayaks, Etc.)
- Trailer Tongue Jack
- LUV Handles
- Bumpers (for storage on end)



## Safety

### Safety Information

This section covers recommended safety instructions, along with other general recommendations and specific trailer safety precautions that should be read thoroughly before operating the trailer.



### Safety Alert Symbol

**This message alert symbol identifies important safety messages on the equipment and in the owner's manual. When you see this symbol, be alert to the possibility of personal injury and carefully read the message that follows.**

In this owner's manual and on decals used on the equipment the words **DANGER**, **WARNING**, **CAUTION**, **IMPORTANT**, and **NOTE** are used to indicate the following:

**DANGER:** This word warns of immediate hazards which, if not avoided, will result in severe personal injury or death.

**WARNING:** This word refers to a potentially hazardous situation which, if not avoided, could result in severe personal injury or death.

**CAUTION:** This word refers to a potential hazard or unsafe practice which may result in minor or moderate personal injury.

**IMPORTANT:** Highlights information that must be heeded.

**NOTE:** A reminder of other related information that needs to be considered.

**Be certain all equipment operators are aware of the dangers indicated by safety decals applied to the equipment, and be certain they follow all safety decal instructions. Contact your authorized Distributor, Dealer Parts Department or SPACE Trailer for safety decal replacement.**

**Do not modify this trailer in any way. Unauthorized modification may impair the function and / or safety of the components and systems and could affect the life of the equipment, possibly invalidating the warranty coverage.**

**SPACE Trailer cannot anticipate every possible circumstance that may involve a potential hazard. The warnings in this owner's manual are not all inclusive.**



## Owner's Responsibility

The owner and operator **MUST** operate and maintain this trailer in a safe manner and in accordance with all applicable local, state, and federal codes, regulations and / or laws and in compliance with on-product labeling and this owner's manual instructions.

Make sure that all personnel have read this owner's manual, and thoroughly understand safe and correct installation, operation, and maintenance procedures.

Give operating instructions to the operators before allowing them to operate the trailer, and at least annually thereafter per OSHA (Occupational Safety and Health Administration) regulation 1928.57.

Fulfill all warranty obligations so as not to void the warranties. The warranty policy located on page 49 outlines the warranty policy of SPACE Trailer.

- Do not allow anyone to operate the trailer until he or she has read the owner's manual and is completely familiar with all safety precautions.
- Do not allow inexperienced persons unfamiliar with the trailer, or unfamiliar with safe operating and maintenance procedures for the equipment to operate or maintain the trailer.
- Do not allow persons under the influence of alcohol, medications, or other drugs that can impair judgement to operate or maintain the trailer.
- If any safety devices are not functioning properly, do not use the trailer. Remove it from service until it has been properly repaired.
- Do not replace components or parts with other than factory-recommended service parts. To do so may decrease the effectiveness and / or the safety of the trailer.
- Do not modify the trailer in any way. Un-authorized modification can result in serious injury or death and may impair the function and life of the trailer.
- Have a first-aid kit available for use should the need arise and train personnel on proper use of the kit.
- Review safety related items annually with all personnel who will be operating, using or maintaining.





## Operating Safety

### AVOID INJURY OR DEATH

**Warnings on the trailer and in the manuals are for your safety. Failure to obey warnings can cause serious injury or death.**

**These are general safety considerations. Additional precautions may be necessary to operate your equipment in a safe manner. Be certain you are operating your equipment in accordance with all safety codes, OSHA rules and regulations, insurance requirements; and local, state and federal laws.**

Failure to comply with the following messages could result in death or serious injury.

- Use care when climbing on / over frame to prevent slipping or falling.
- Install and secure all guards before operating.
- Secure propane tanks and fuel tanks to trailer before transporting.
- Completely stop trailer operation before servicing, repairing, adjusting, loading.
- Replace or repair anything that could cause a potential hazard.
- Before servicing, make sure the trailer has cooled down. Trailer components and fittings can get hot enough to cause serious injury.



## **Transporting Safety**

Failure to comply with the following messages could result in death or serious injury.

- Due to the large surface area the trailer may sway at high speeds with a strong side wind.
- Comply with state and local laws governing safety on public roads.
- Check that all lights, reflectors and other lighting requirements are installed and in good working condition.
- Be sure the trailer is hitched positively to the towing vehicle. Always attach safety chains between the hitch and the towing vehicle.
- Do not allow riders in / on the trailer when transporting.
- Do not exceed a safe travel speed. Slow down for rough terrain and when cornering.
- Make sure tires are properly inflated. A tire can explode during inflation and cause serious injury or death. Never exceed the inflation pressure recommended by the tire manufacturer. Replace a tire if the tire has a defect.
- Canopy closed and locked during transporting.



## Decal Replacement

- Keep all safety signs and reflectors clean and legible at all times.
- Replace safety signs and reflectors that are missing or have become illegible.
- Replaced parts that displayed a safety sign, must also display the current sign.
- Contact SPACE Trailer for safety decal replacement.





Intentionally left blank



## Operation

### Operation

#### Canopy Removal

**⚠ CAUTION:** To prevent injury or trailer damage, two people are required to remove the canopy.

**⚠ CAUTION:** To prevent injury or trailer damage, the canopy support rod must be placed into the trailer support rod hole.

**NOTE:** Email [info@spacetrailers.com](mailto:info@spacetrailers.com) to receive a video showing the removal of a canopy.

1. Remove the spare tire to allow access to the front of the trailer.
2. Remove the SPACE bars to lighten the canopy. See "Adjusting And Removing SPACE Bars" on page 19.
3. Open the canopy. See "Opening, Closing and Locking The Canopy" on page 24.

**⚠ CAUTION:** To prevent injury or trailer damage, use second person to hold open the canopy. (Figure 1).



Figure 1

## Operation (Cont'd)

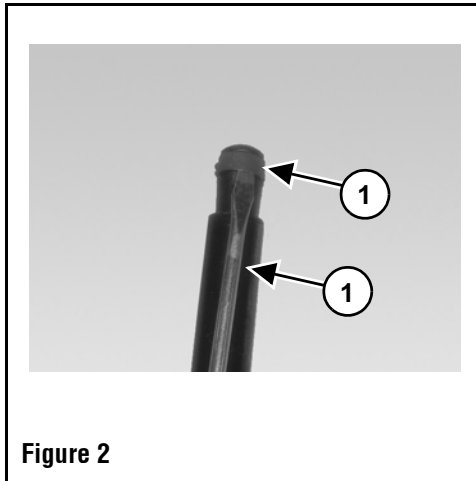
### Canopy Removal (Cont'd)

4. Use a flat screw driver (Item 1) to release the locking clamp (Item 2) (Figure 2)

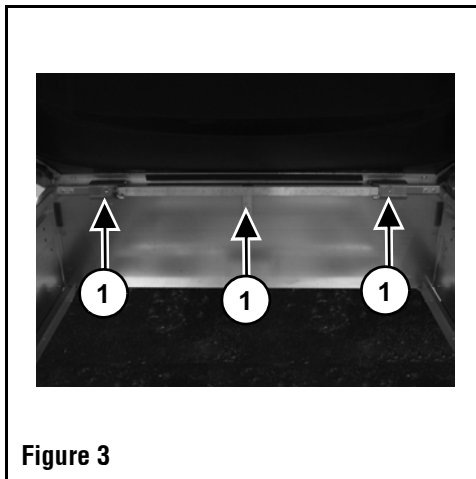
**NOTE:** It is required to slightly rotate the screw driver to release the locking clamp. Do NOT remove locking clamp

5. Remove the canopy strut (Item 1) from the upper strut ball (Item 2). (Figure 2) (both sides)

**⚠ CAUTION:** It is required remove canopy struts before removing the hinge bolts.



6. Using a 1/2 inch socket or wrench, remove the bolts and washers from the hinge points (Item 1). (Figure 3)



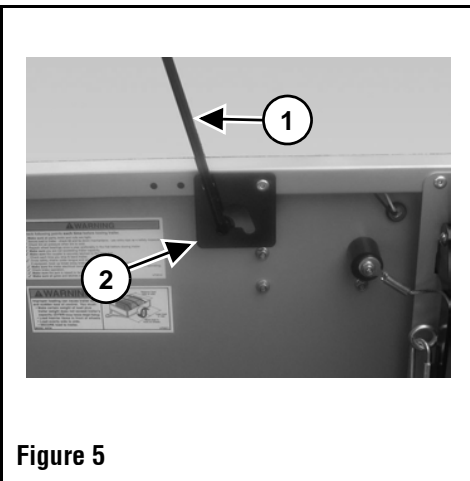


**⚠ IMPORTANT:** To prevent injury or trailer damage, use second person to hold up the canopy. (Figure 4)



**Figure 4**

7. Remove the canopy support rod (Item 1) from the trailer support rod bracket (Item 2). (Figure 5)



**Figure 5**

## Operation (Cont'd)

### Canopy Removal (Cont'd)

8. Close the canopy (Item 1) and remove from the trailer. (Figure 6)

**⚠ IMPORTANT:** To prevent injury or trailer damage, use two people to remove the canopy (Item 1) from the trailer. (Figure 6)



Figure 6

9. Place the canopy on saw horses or blocks. (Figure 7)

**NOTE:** Placing the canopy on saw horses or blocks will prevent damage to the latches and hinge.



Figure 7





## Operation (Cont'd)

### Canopy Installation

1. Locate the hole (Item 1) (**Figure 8**) in the center mounting position of the hooked hinge.
2. Using a non permanent marker or pencil, mark the outside of the canopy (Item 2) in line with the center mounting position (Item 1) of the hooked hinge. (**Figure 8**)

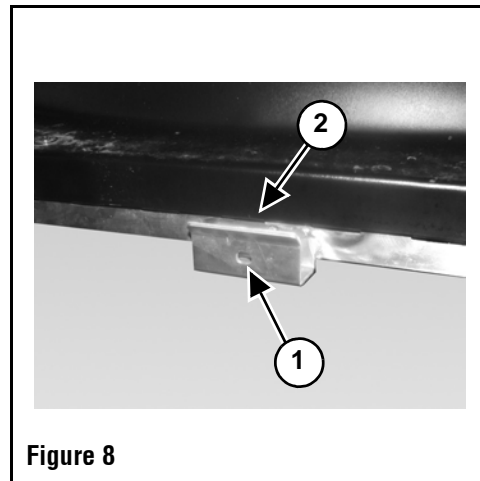


Figure 8

3. Rotate the hinge (Item 1) in the closed position. (**Figure 9**)

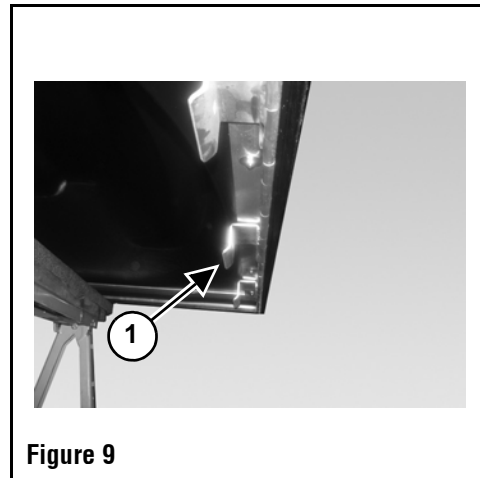


Figure 9

## Operation (Cont'd)

### Canopy Installation (Cont'd)

- Using a person at the front and rear of the canopy, lift and center the canopy above the trailer. (Figure 10)

**NOTE:**The person at the rear must maintain the canopy a height slightly above the trailer box top.



Figure 10

- Align the mark on the canopy with the rivet (Item 1) at the center of the trailer box. (Figure 11)

**NOTE:**The mark on the canopy was placed on (Figure 8)

- Lower the canopy and hinge onto the trailer box.

**NOTE:**To align the bolt holes in the hinge with the bolt holes in the box, it may be necessary to press down on the front of the canopy.

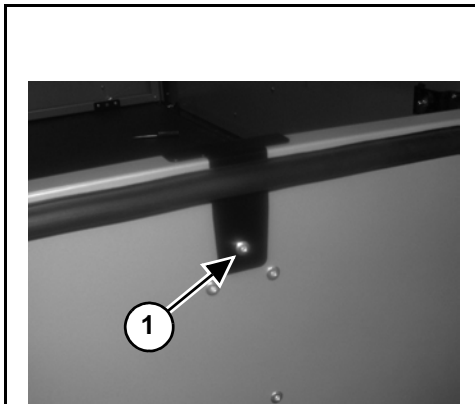


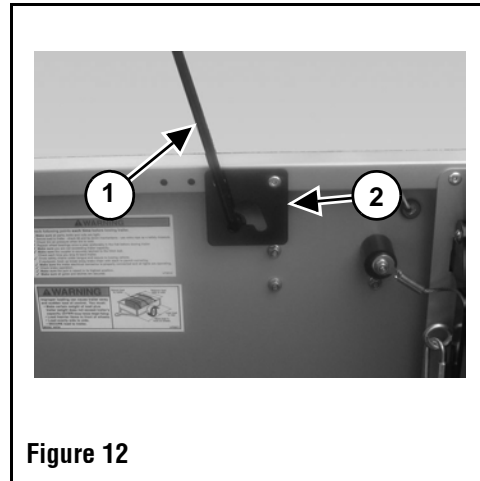
Figure 11



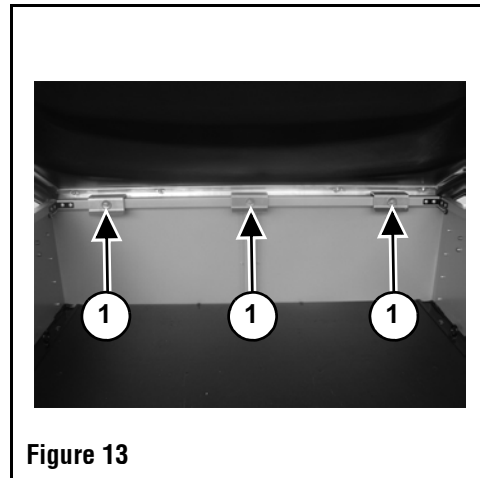
## Operation (Cont'd)

### Canopy Installation (Cont'd)

7. Install the support rod (Item 1) into the bracket (Item 2). (Figure 12)



8. Install and tighten the three hinge mounting bolts (Item 1). (Figure 13)



## Operation (Cont'd)

### Canopy Installation (Cont'd)

9. Install the struts (Item 1) onto the canopy. (Figure 14)
10. Confirm the locking clamp (Item 2) is flush with the strut end. (Figure 14)

**⚠ CAUTION:** To prevent injury or trailer damage, the locking clamp must be flush with the strut.

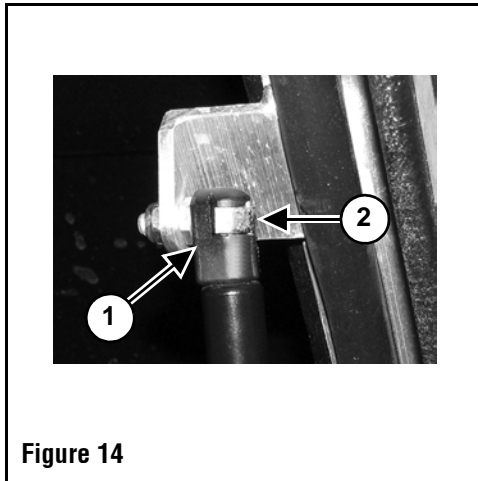


Figure 14



## Operation (Cont'd)

### Adjusting And Removing SPACE Bars

1. Using a 1/2 inch socket or wrench, remove two nuts (Item 1) from the SPACE bar. (both sides) **(Figure 15)**
2. Remove the SPACE bar(s).
3. Slide the aluminum blocks to the desired locations.
4. Install and tighten the two nuts (Item 1). **(Figure 15)**

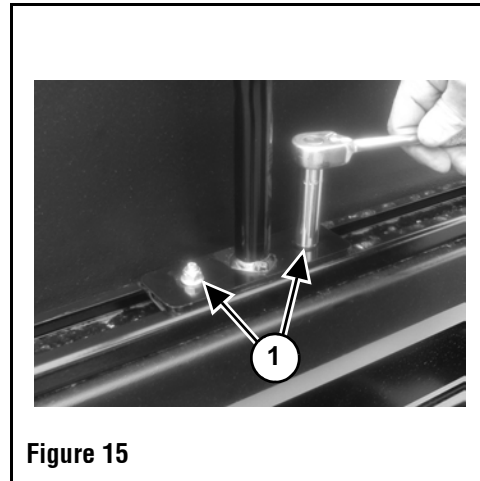


Figure 15

## Operation (Cont'd)

### Connect Trailer To A Vehicle

**⚠ WARNING:** To prevent death or serious injury. Before attempting to connect the trailer, make sure the vehicle hitch ball is the same size as the trailer and the vehicle has a trailer connector that will accept the trailer wiring.

**NOTE:** A 2 inch ball and four flat wiring is required to use this trailer.

1. Crank the trailer jack handle (Item 1) to lower trailer onto the hitch (Item 2). Continue cranking handle until the jack tire is off the ground. **(Figure 16)**
2. Pull on the jack lock handle (Item 3) and rotate the jack (Item 4) to the up and stowed position. **(Figure 16)**

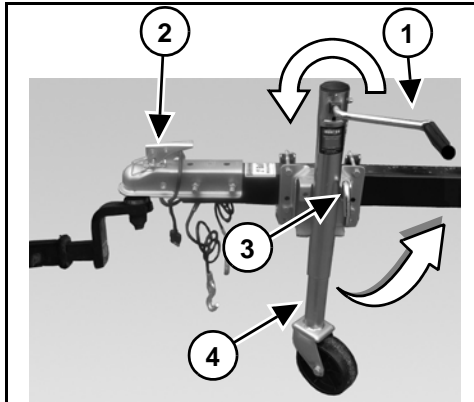
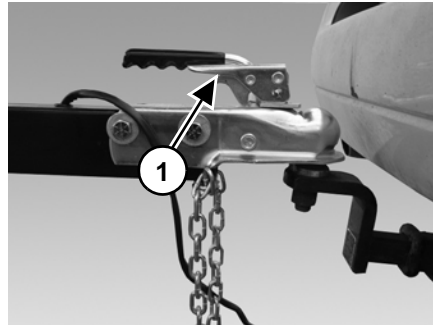


Figure 16



3. Lower the safety latch (Item 1) securing the coupler to the ball. **(Figure 17)**
4. Attempt to lift the trailer tongue off the ball.
5. If the trailer tongue is lifted off the ball accomplish steps 2, 3 and 4 in this section.



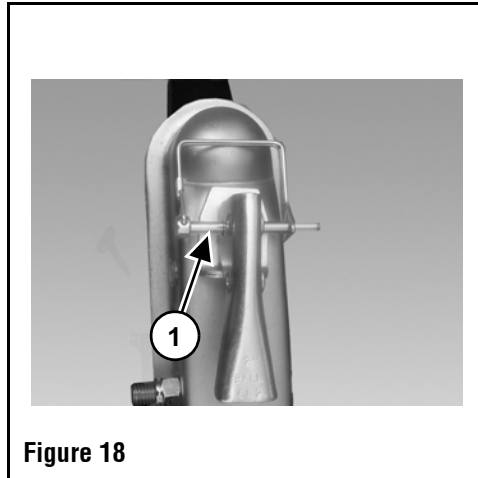
**Figure 17**

## Operation (Cont'd)

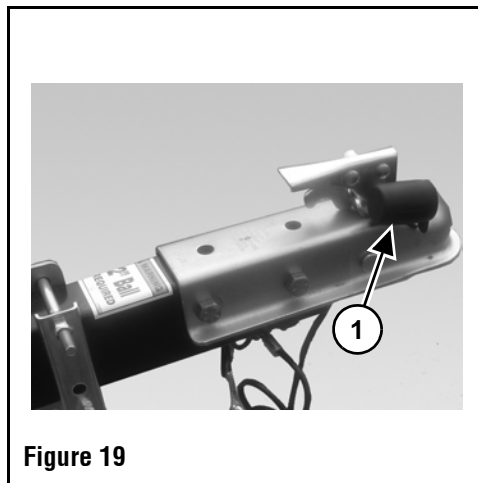
### Connect Trailer To A Vehicle (Cont'd)

6. Secure the safety latch using one of the following methods:

Install a safety pin (Item 1).  
(Figure 18)



Install a lock (Item 1). (Figure 19)







## Operation (Cont'd)

### Connect Trailer To A Vehicle (Cont'd)

7. Connect the trailer wire harness to the vehicle wire harness (Item 1). (Figure 20)

**⚠ IMPORTANT:** To prevent trailer and/or vehicle wire harness damage, allow some slack in the wire harness between the tow vehicle and trailer.

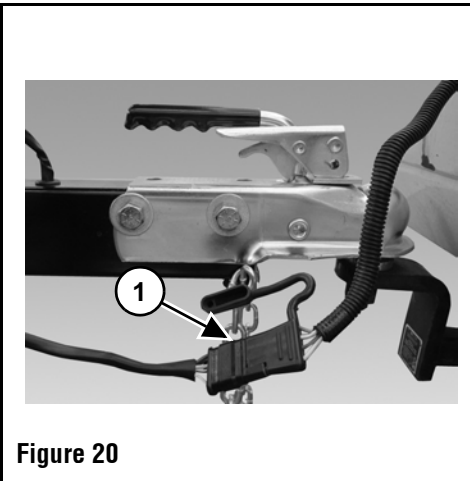


Figure 20

8. Connect both safety cables to the vehicle safety chain loops. (Item 1). (Figure 21)

**NOTE:** Cross the cables under the tongue before connecting to the vehicle. This prevents the trailer tongue dragging on the ground if the trailer were to become accidentally disconnected from the vehicle.

9. Accomplish a daily inspection on the trailer. See "Daily Inspection" on page 37.

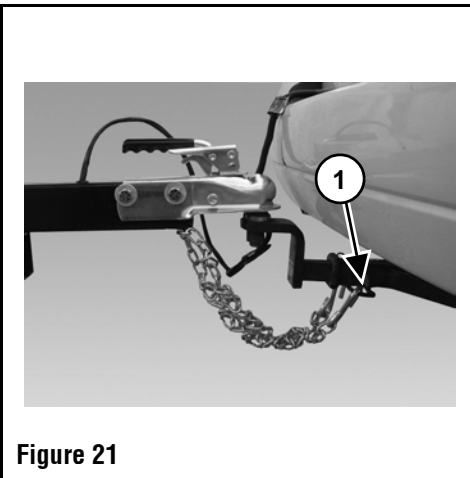


Figure 21

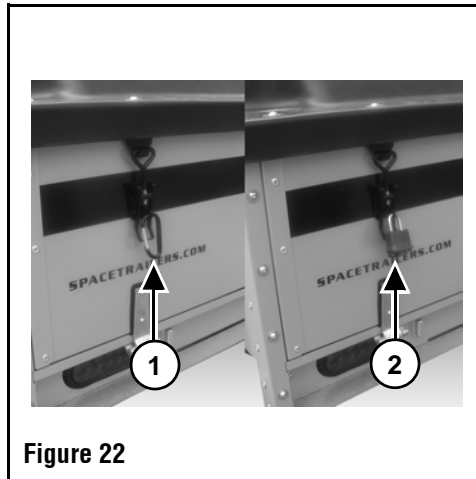
## Operation (Cont'd)

### Opening, Closing and Locking The Canopy

**⚠ CAUTION:** To prevent injury or trailer damage, do not open the canopy with anything loaded on the space bars (if installed).

**⚠ CAUTION:** To prevent injury or trailer damage, when towing the trailer **ALWAYS** have both latches down and have the latches secured with carabiners or locks.

1. Remove the carabiner (Item 1) or lock (Item 2) from the latch handle. **(Figure 22)** (both sides)





2. Lift the handle (Item 1) until the latch (Item 2) is free from the latch hook. **(Figure 23)** (both sides)

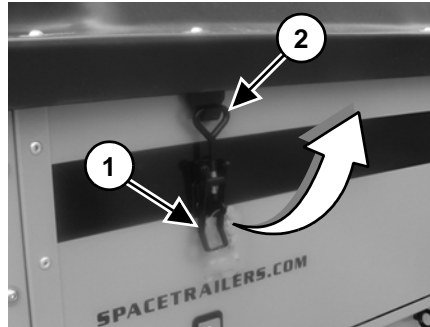


Figure 23

3. Lift the canopy (Item 1). **(Figure 24)**

**NOTE:** Little effort is required to lift the canopy. The canopy struts assist in lifting the canopy.

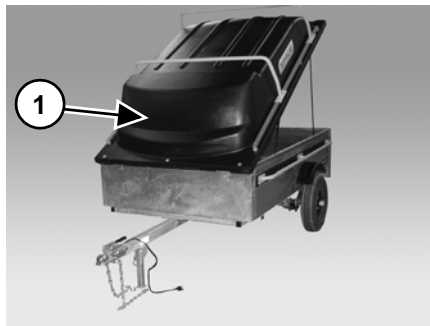
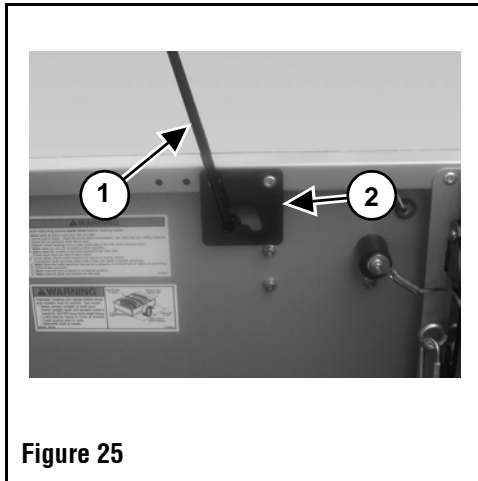


Figure 24

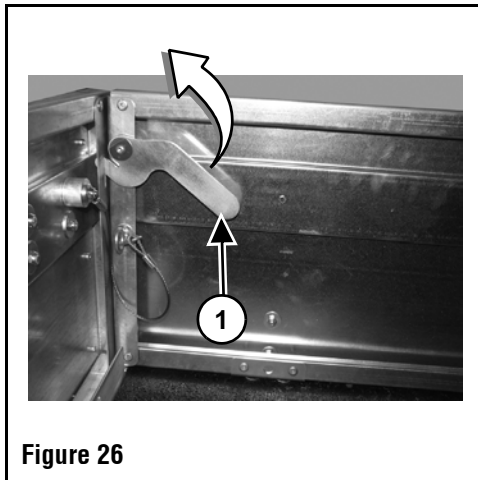
## Operation (Cont'd)

### Opening And Closing The Canopy (Cont'd)

4. Place the canopy support rod (Item 1) into the trailer support rod bracket (Item 2). (Figure 25)



5. Unlatch the tail gate latches (Item 1). (Figure 26) (both sides)





## Operation (Cont'd)

### Opening And Closing The Canopy (Cont'd)

6. Open the tail gate (Item 1).  
(Figure 27)

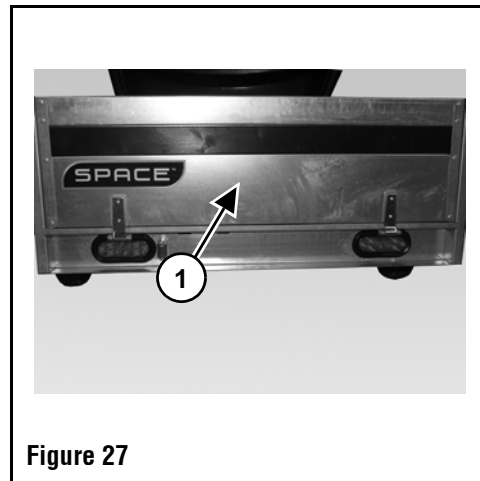


Figure 27

7. Close the tail gate (Item 1).  
(Figure 28)

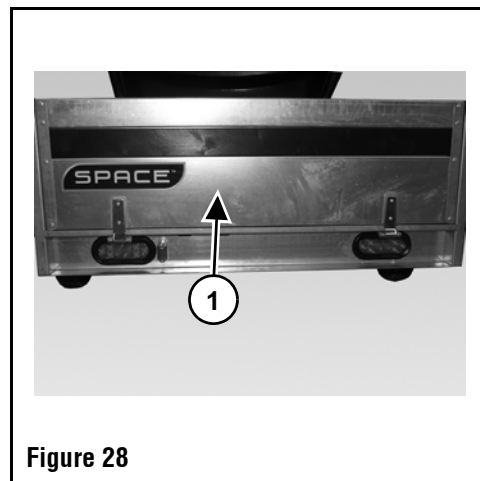
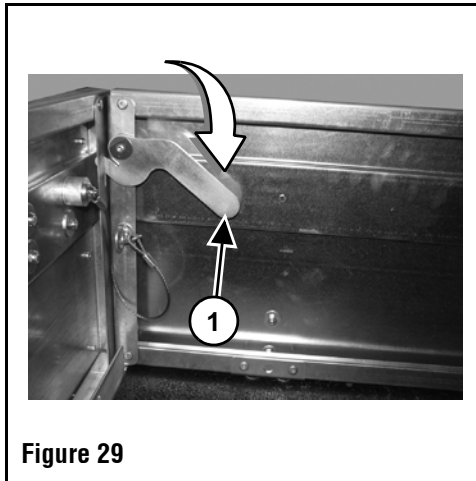


Figure 28

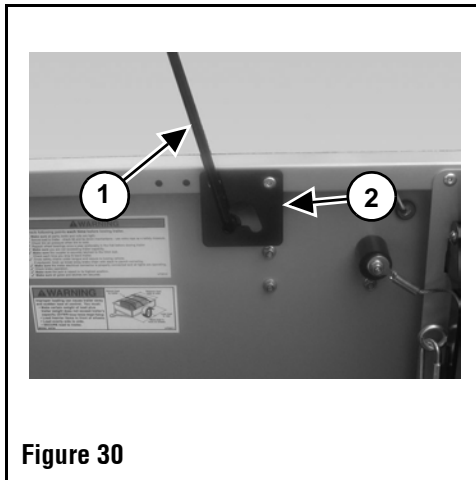
## Operation (Cont'd)

### Opening And Closing The Canopy (Cont'd)

8. Latch the tail gate latches (Item 1). (both sides) **(Figure 29)**



9. Remove the canopy support rod (Item 1) from the trailer support rod bracket (Item 2). **(Figure 30)**





10. Store the support rod (Item 1) into the storage holding clamps (Item 2). (Figure 31)

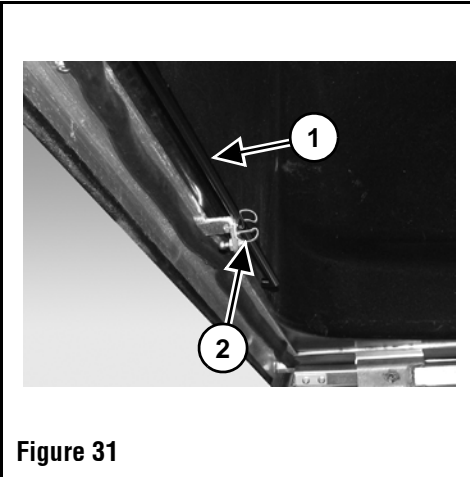


Figure 31

- ⚠ IMPORTANT:** Make sure both latches (Item 1) are in the open position. (Figure 32)

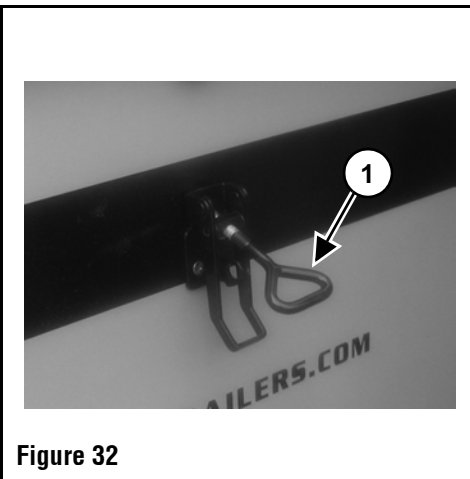


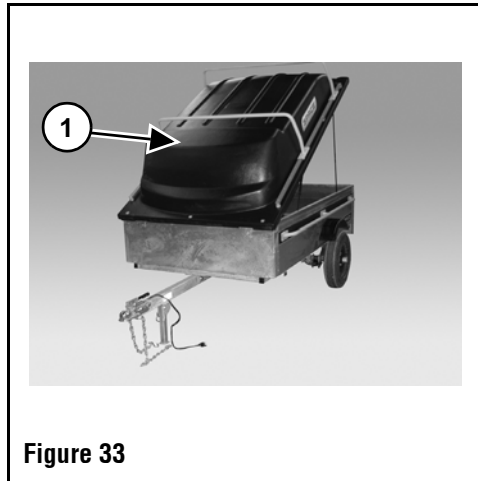
Figure 32

## Operation (Cont'd)

### Opening And Closing The Canopy (Cont'd)

11. Close the canopy (Item 1).  
(Figure 33)

**NOTE:** More effort is required to close the canopy. The canopy struts are resisting against closing the canopy.







## Operation (Cont'd)

### Opening And Closing The Canopy (Cont'd)

12. With one hand push down on the canopy (Item 1). Place the latch (Item 2) on the hook of the canopy. (Figure 34)

**⚠ IMPORTANT:** To prevent damage to the canopy latch, push down on the corner of the canopy, this will prevent damage to the latching mechanism.

13. Rotate the latch handle (Item 3) down until latch handle is in the down and secure position. (Figure 34)

**NOTE:** If the latch handle (Item 3) can be easily put in the secure position without pushing down the canopy or if the latch handle (Item 3) cannot be put in the secure position, the latch will need to be adjusted. (Figure 34)

14. If latch adjustment is required, rotate the latch (Item 3) until some pressure is required to overcome the canopy seal. (Figure 34)

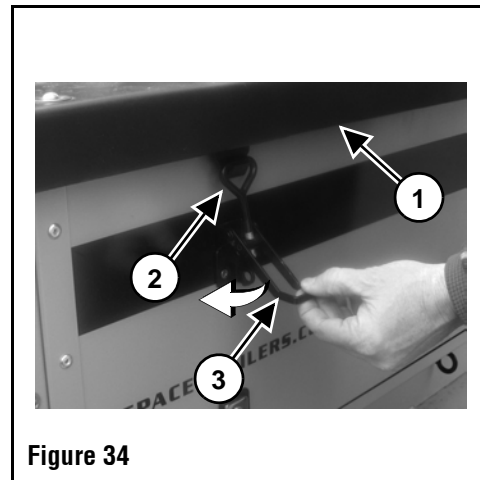
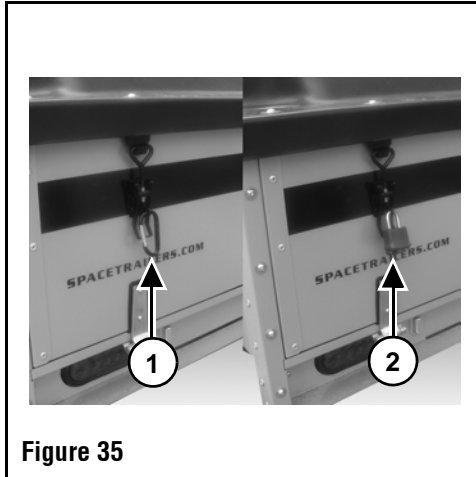


Figure 34

15. Install the carabiner (Item 1) or lock (Item 2). (both sides)  
**(Figure 35)**

**NOTE: Canopy must be closed with handle locked while moving.**



**Figure 35**



## Operation (Cont'd)

### Loading The Trailer Compartment

**⚠ CAUTION:** To prevent injury or trailer damage, do not overload the trailer. See “Trailer Specifications” on page 45.

1. Connect it to the vehicle to be used for transportation. See “Connect Trailer To A Vehicle” on page 20.
2. Open the canopy. See “Opening, Closing and Locking The Canopy” on page 24.
3. When loading the trailer, keep the load centered from left to right and forward of the trailer axle (Item 1). (Figure 36)

**NOTE:** For safe and best towing performance, the load should be toward the front allowing proper tongue weight 60/40. The tongue weight should be 10% of the total trailer weight. Example: 1000 lb. (453,59 kg) total load (including trailer) should have 100 lb. (45,359 kg) tongue weight.



Figure 36

4. When loading heavier items (ATVs etc.), release tailgate to hang vertical.

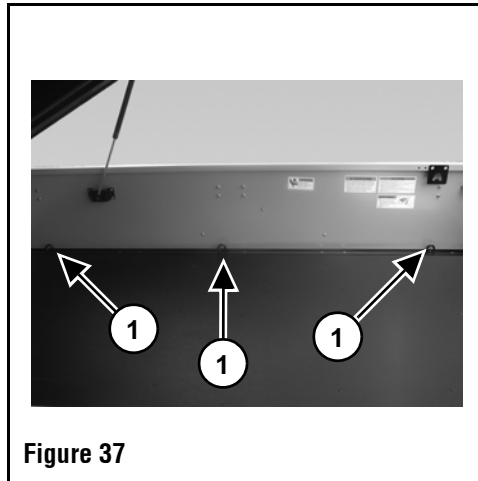
## Operation (Cont'd)

### Loading The Trailer Compartment (Cont'd)

5. Using proper tie down straps, secure the load to the eye bolts (Item 1) inside the trailer.  
**(Figure 37)**

6. Close the canopy. See "Opening, Closing and Locking The Canopy" on page 24.

**NOTE: Canopy must be closed with handle locked while moving the trailer.**





## Operation (Cont'd)

### Loading The SPACE Bars

**⚠ CAUTION:** To prevent injury or trailer damage, do not lift canopy with SPACE Bars loaded.

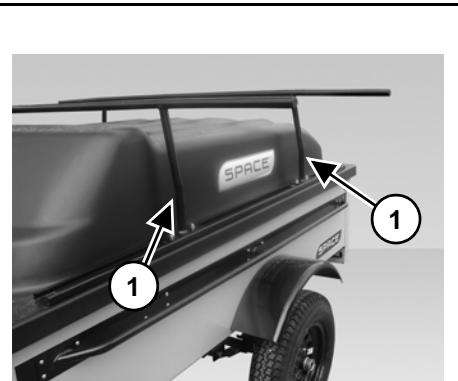
**NOTE:** Before loading the space bars, load the trailer compartment. See "Loading The Trailer Compartment" on page 33.

**NOTE:** SPACE Bars accept most roof top accessories. (Refer to the manufacturer's roof top accessories specifications.)

**NOTE:** Check to make sure SPACE Bars hardware is secure and not damaged.

**NOTE:** Load on SPACE Bars should not exceed 225 lb. (102 kg).

1. Position the SPACE bars (Item 1) to the desired locations on the top rails (Item 2). (**Figure 38**) See "Adjusting And Removing SPACE Bars" on page 19.



**Figure 38**

## Operation (Cont'd)

### Loading The SPACE Bars (Cont'd)

2. When hauling kayaks and canoes, it is recommended to properly tie the end of the that is at the front of the trailer to the spare tire and properly tie the end of the that is at the rear of the trailer to the eyebolt (Item 1) in the light panel. (Figure 38)

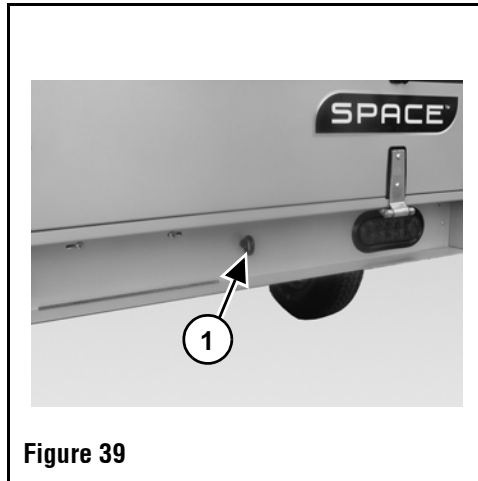


Figure 39



## Preventative Maintenance

### Daily Inspection

**NOTE: Connect the trailer to a vehicle. See “Connect Trailer To A Vehicle” on page 20.**

1. Check the trailer lights for proper operation.

- Check both rear tail lights (Item 1) for proper operation. (both sides) **(Figure 40)**

**NOTE: Check running lights, tail lights, brake lights and both rear turn signal lights.**

- Check the license plate light (Item 2) to be on when the vehicle running lights are on. **(Figure 40)**

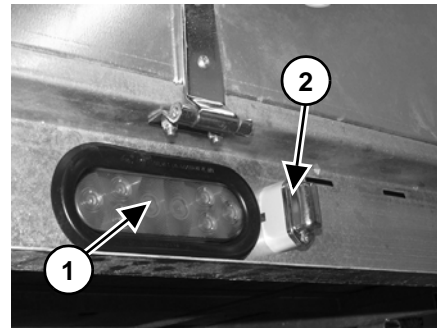


Figure 40

- Check all four running lights (Item 1) for proper operation when the vehicle running lights are on. **(Figure 41)**

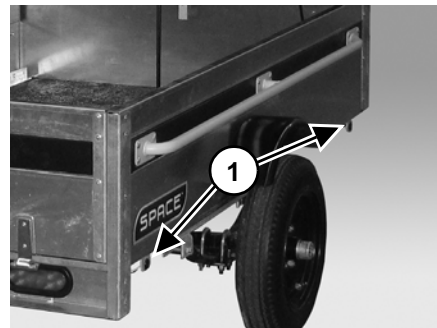
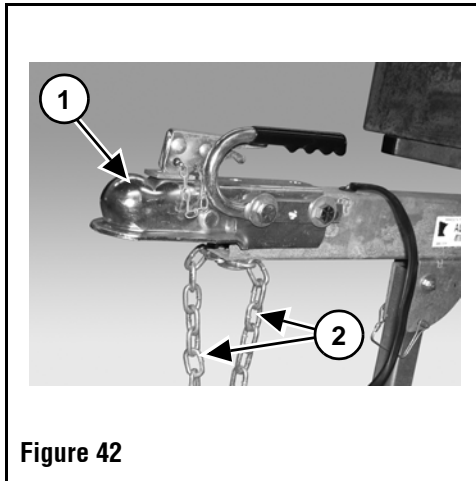


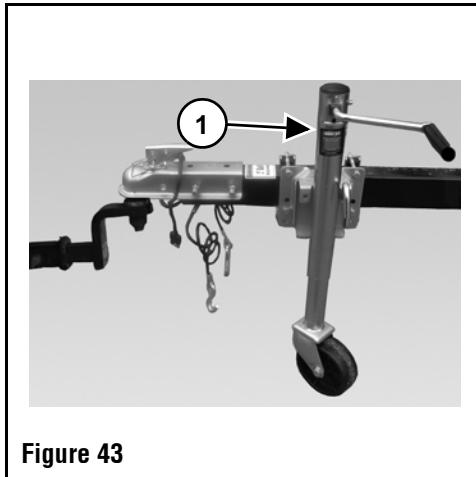
Figure 41

## Daily Inspection (Cont'd)

2. Check the trailer hitch (Item 1) and safety chains/cables (item 2) for damage and loose hardware. (Figure 42)



3. Check the trailer jack (Item 1) for proper operation, damage and loose or missing hardware. (Figure 43)







### Daily Inspection (Cont'd)

4. Check the tire (Item 1) for proper inflation and obvious damage. **(Figure 44)**
5. Check the tire rim (Item 2) for loose lug nuts and obvious rim damage. **(Figure 44)**

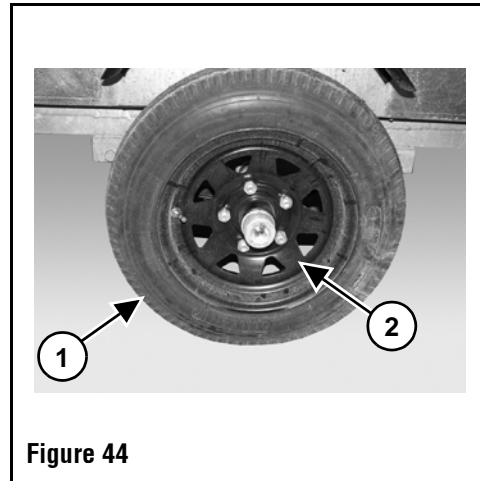


Figure 44

6. Open the canopy. See “Opening, Closing and Locking The Canopy” on page 24.
7. Check both tailgate latches (Item 1) for damage and looseness. **(Figure 45)**

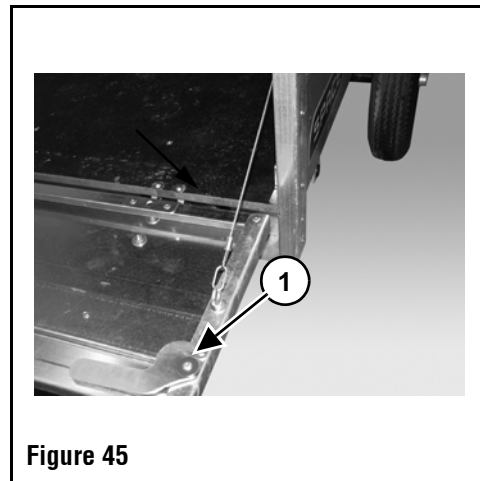


Figure 45

## Daily Inspection (Cont'd)

8. Check the canopy hinge bolts (Item 1) for looseness. Check hinge for damage and security. **(Figure 46)**

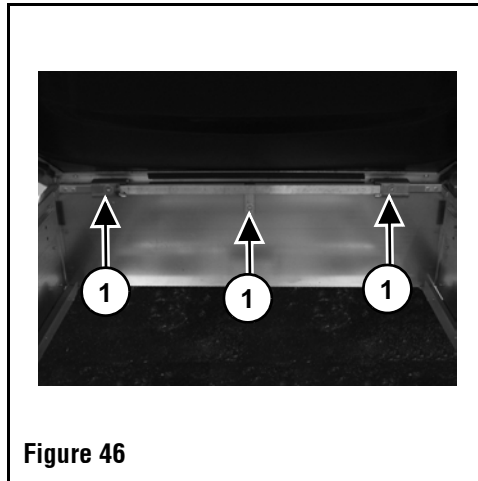


Figure 46

9. Check both canopy struts (Item 1) and canopy support rod (Item 2) for damage and missing hardware. **(Figure 47)**

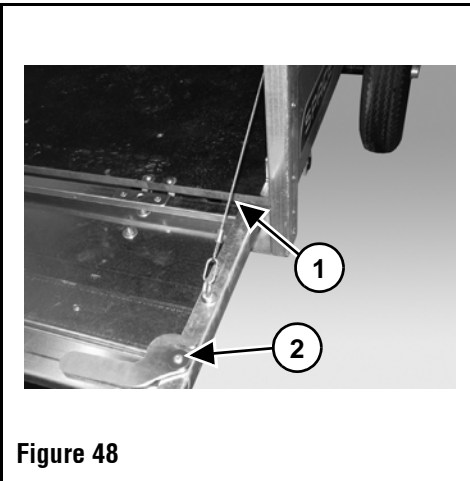


Figure 47

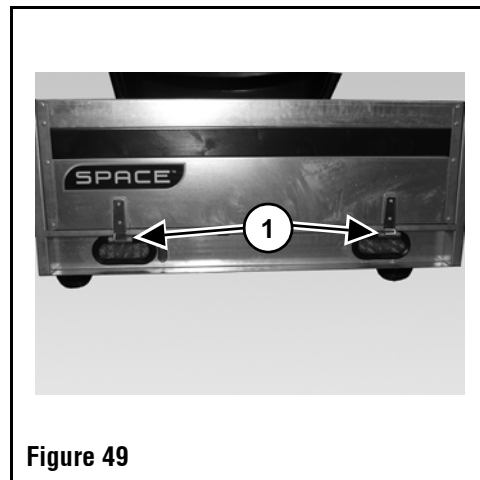


### Daily Inspection (Cont'd)

10. Check the tailgate cables (Item 1) and latches (Item 2) for damage or loose hardware. (Figure 48)



11. Check the tailgate hinges (Item 1) for damage or loose hardware. (Figure 49)



## Yearly Inspection

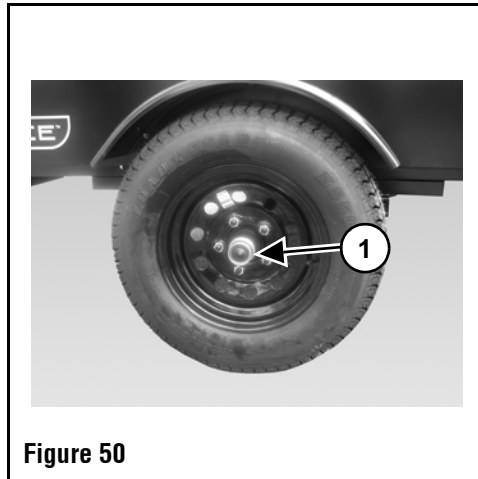
1. Complete the daily inspection. See “Daily Inspection” on page 37.
2. Using a flat blade screw driver, remove the dust cover (Item 1). (both sides) **(Figure 50)**
3. Using a grease gun, grease the hub until resistance is felt in the grease gun every 3000 miles or every 3 months. (both sides)

**⚠ IMPORTANT: To prevent damage to the wheel hub, DO NOT over grease the wheel bearings.**

**⚠ IMPORTANT: Don't use heavy, fibrous greases; don't mix grease types. Only use a hand grease gun.**

**NOTE: At 10000 miles have the bearings in the hubs repacked.**

4. Reinstall the dust cover (Item 1) **(Figure 50)**





### Yearly Inspection (Cont'd)

5. Check all leaf spring U-bolts (Item 1) and leaf spring mounting bolts (Item 2) for being loose or missing. (both sides) (Figure 51)

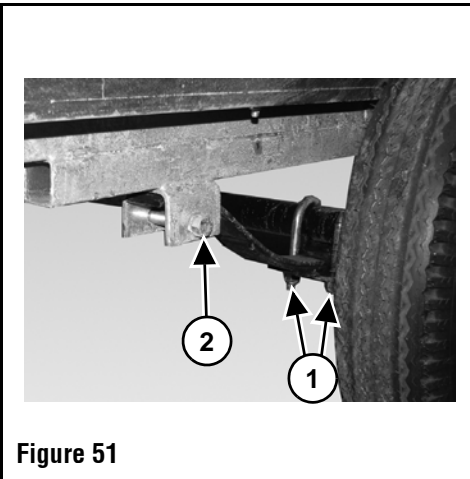


Figure 51

6. Check the tongue mounting bolts (Item 1) for tightness or missing. (Figure 52)

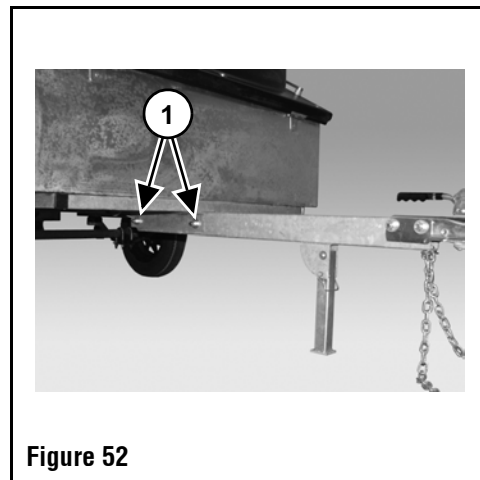
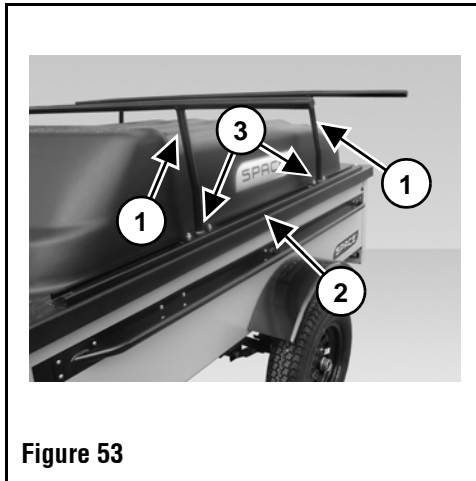


Figure 52

## Yearly Inspection (Cont'd)

7. Check the SPACE Bars (Item 1) and the top rails (Item 2) for damage. **(Figure 53)**
8. Check the top rail to canopy mounting hardware and SPACE Bar mounting hardware (Item 3) for loose or missing hardware. (both sides) **(Figure 53)**
9. Check all decals for being missing or damaged. See “Decal Replacement” on page 9.



**Figure 53**



## Trailer Specifications

DESCRIPTION	SPACE TRAILER
Overall Length (Standard)	132 in. (3353 mm)
Overall Length (Longneck)	150 in. (3810 mm)
Overall Length (Longneck XL)	162 in. (4115 mm)
Overall Width	67.5 in. (1714.5 mm)
Overall Height With Canopy	47 in. (1194 mm)
Box Length	84 in. (2133.6 mm)
Box Width	49 in. (1244.5 mm)
Box Height With Canopy	28 in. (711 mm)
Box Height Without Canopy	15 in. (380 mm)
Storage Area	65 cu. ft. (1.84 cu. m)
Weight Without Canopy	480 lb. (190.51 kg)
Weight With Canopy	600 lb. (272.16 kg)
Maximum Load	1000 lb. (453.59 kg)
Maximum Gross Weight	1600 lb. (725.75 kg)
Maximum Weight On The SPACE Bars	225 lb. (102.0 kg)
Trailer Coupler	2 in. (50.8 mm)
Trailer Floor	0.5 in. (12.7 mm) Marine Grade Plywood
Tire	13 in. (330.2 mm) High Speed Trailer Tire



Intentionally left blank





## **In Case Of Major Defect**

If you believe that your vehicle has a defect which could cause a crash or could cause injury or death, you should immediately inform the National Highway Safety Administration (NHTSA) in addition to notifying SPACE Trailers.

If NHTSA receives three similar complaints, it may open an investigation and if it finds that a safety defect exists in a group of vehicles, it may order a recall and remedy campaign. However, NHTSA cannot become involved in individual problems between you, your dealer or SPACE Trailers.

To contact NHTSA, you may either call the Auto Safety Hotline toll-free at 1-888-327-4236 (TTY: 1-800-424-9153: go to <http://www.safercar.gov>; or Write to: NHTSA, US Department of Transportation, 1200 New Jersey SE, Washington, DC 20590. You can also obtain other information about motor vehicle safety from <http://www.safercar.gov>.



Intentionally left blank



## SPACE™ Trailers Limited Warranty

*Red Wing Gear LLC* warrants that each *SPACE™ Trailer* operated by the original purchaser under normal use in the Continental United States or Canada will be free from defects in materials and workmanship for *one year* following the original purchase, subject to the *requirements, exclusions and limitations* stated below which *will be strictly applied*. If the trailer is rented or used for commercial hauling, this Limited Warranty is null and void.

### YOU MUST SEND US A SIGNED COPY OF THIS WARRANTY

In order to validate this Limited Warranty, warranty card, signed by *Red Wing Gear LLC* and the purchaser, must be postmarked and mailed to:

#### **SPACE Trailers**

**5001 Moundview Dr.**

**Red Wing, MN 55066**

no later than twenty (20) days following the purchase of your *SPACE Trailer*. IF THIS SIGNED WARRANTY IS NOT POSTMARKED BY THE TWENTIETH DAY AFTER PURCHASE OF THE TRAILER, ALL EXPRESS WARRANTIES CONTAINED IN THIS LIMITED WARRANTY SHALL BE NULL AND VOID.

### ONE YEAR LIMITED WARRANTY

Subject to the requirements, exclusions and limitations stated below, your *SPACE Trailer* is warranted to the original retail purchaser against defects in materials and workmanship by **Red Wing Gear LLC** arising from normal use for one (1) year from the date of purchase.

### EXCLUSION OF COMPONENTS WARRANTED BY OTHER MANUFACTURERS

Tires, axles, springs and suspension components, couplers and jacks purchased and installed by *Red Wing Gear LLC* are warranted by their manufacturers and are excluded from this Limited Warranty.

### NORMAL USE, NO REPAIRS OR ALTERATIONS

This Limited Warranty covers only defects in original components which arise from normal use and does not apply if the trailer has been subjected to negligence, accident, abuse, misuse, neglect or overload or has been repaired or altered without the prior written consent of *Red Wing Gear LLC*. Normal wear items, including but not limited to doors, struts, lights, bearings and tires, will not be replaced due to wear.

### TRANSPORTATION COSTS EXCLUDED

Transportation of any trailer to and/or from your dealer or any approved repair facility shall be the responsibility of the trailer owner. *Red Wing Gear LLC* shall not be liable for any such costs.



**PRIOR WRITTEN CONSENT REQUIRED AND RETURN OF DEFECTIVE PARTS  
REQUIRED**

No reimbursement will be made to any dealer or owner for repairs made without the prior written consent of Red Wing Gear LLC. Any defective part(s) must be sent by prepaid freight to Red Wing Gear LLC in order to qualify for replacement or reimbursement under this Limited Warranty.

**OTHER PRODUCTS EXCLUDED**

This Limited Warranty applies exclusively to SPACE Trailers manufactured by *Red Wing Gear LLC*. Any other products manufactured by Red Wing Gear LLC are specifically excluded from this warranty. Authorized repairs do not extend the term of this Limited Warranty.

**LIMITATIONS**

THE SOLE RESPONSIBILITY OF RED WING GEAR LLC UNDER THIS LIMITED WARRANTY SHALL BE TO REPAIR AND REPLACE PARTS AT THE RED WING GEAR LLC. FACTORY OR, FOR A REASONABLE ALLOWANCE, AT ANOTHER PLACE AND PREPARED IN WRITING BY RED WING GEAR LLC. ALL OTHER OBLIGATIONS OR LIABILITIES, INCLUDING INCIDENTAL OR CONSEQUENTIAL DAMAGES OR CONTINGENT LIABILITIES ARISING OUT OF THE FAILURE OF ANY PARTS TO OPERATE PROPERLY, ARE HEREBY EXCLUDED, INCLUDING BUT NOT LIMITED TO ANY DAMAGES RESULTING FROM LOSS OF USE, INCONVENIENCE, LOSS OF TIME, COMMERCIAL LOSS OR ANY OTHER TYPE OF DAMAGES, GENERAL OR SPECIFIC, FORESEEN OR UNFORESEEN, UNLESS APPLICABLE STATE LAW PROVIDES OTHERWISE.



#### **DISCLAIMERS**

THIS WARRANTY IS EXPRESSLY IN LIEU OF ALL OTHER EXPRESS WARRANTIES AND REPRESENTATIONS. RED WING GEAR LLC MAKES NO REPRESENTATION OR WARRANTY OF ANY KIND, EXPRESS OR IMPLIED, WITH RESPECT TO *SPACE TRAILERS* WHETHER AS TO MERCHANTABILITY, FITNESS FOR A PARTICULAR PURPOSE OR ANY OTHER MATTER. NO ONE, INCLUDING AN AUTHORIZED *RED WING GEAR LLC* DEALER IS AUTHORIZED TO MAKE FURTHER OR ADDITIONAL WARRANTIES ON BEHALF OF *RED WING GEAR LLC*. ALL IMPLIED WARRANTIES OF MERCHANTABILITY AND FITNESS FOR INTENDED USE ARE LIMITED TO WARRANTY PERIODS STATED ABOVE, UNLESS ANY APPLICABLE STATE LAW PROVIDES OTHERWISE.

The undersigned dealer, by signing this manufacturer's Limited Warranty, states that he/she has informed and explained to the purchaser all limited warranty and claim procedures and will perform all responsibilities of the dealer under this Limited Warranty.

IF THIS WARRANTY IS NOT SIGNED, POSTMARKED AND MAILED TO RED WING GEAR LLC, BY THE TWENTIETH DAY AFTER YOUR PURCHASE OF THE TRAILER, ALL EXPRESS WARRANTIES SHALL BE NULL AND VOID.

Required procedures for filing a claim under this Limited Warranty are listed on the back of this form,

By signing this manufacturer's Limited Warranty, THE PURCHASER ACKNOWLEDGES THAT HE OR SHE HAS READ THE ABOVE LIMITED WARRANTY AND AGREES THAT, SHOULD ANY WARRANTY CLAIMS BE MADE BY PURCHASER, PURCHASER WILL FOLLOW THE PROCEDURES AS SET FORTH OF THE BACK OF THIS FORM.



#### REQUIRED WARRANTY CLAIM PROCEDURE

1. In order to validate this Limited Warranty, warranty card, signed by Red Wing Gear LLC and the purchaser, must be postmarked to Red Wing Gear LLC no later than twenty (20) days following the purchase of your SPACE™ TRAILER. IF THIS SIGNED WARRANTY IS NOT POSTMARKED BY THE Twentieth DAY AFTER PURCHASE OF THE TRAILER, ALL EXPRESS WARRANTIES SHALL BE NULL AND VOID.
2. If you want to file a claim under this Warranty, contact Red Wing Gear LLC to receive a warranty claim form. Warranty claim forms must be received within ten(10)days of your discovery of the defect.
3. Red Wing Gear LLC will acknowledge such receipt of claim by email or fax to the claimant. Red Wing Gear LLC will respond as soon as possible, but no later than thirty (30) days after receipt of the claim.
4. Any defective part(s) must be sent by prepaid freight to Red Wing Gear LLC in order to qualify the claimant for replacement or reimbursement under this Limited Warranty. ANY DEFECTIVE PARTS MUST BE RETURNED TO RED WING GEAR LLC WITHIN 30 DAYS FROM DATE OF APPROVAL TO QUALIFY FOR REIMBURSEMENT.
5. Red Wing Gear LLC will not reimburse any claimant for any adjustment or repair of Red Wing Gear LLC trailer without prior written approval by Red Wing Gear LLC.
6. If you return your trailer for repair to the factory, we will warrant the repair or replacement parts for a year from the date of repair. If authorized repair must be done other than at the factory, Red Wing Gear LLC will not warrant such repair work or replacement parts.
7. Red Wing Gear LLC reserves the right to not pay unreasonable costs for replacement or repair of defects in Red Wing Gear LLC trailers and may, at its discretion, establish a reasonable reimbursement for any authorized work performed under the terms of this Limited Warranty.

RED WING GEAR LLC HERE MAKES NO OTHER EXPRESS OR IMPLIED WARRANTIES AND THERE ARE NO OTHER WARRANTIES WHICH EXTEND BEYOND THE DESCRIPTION ON THE FACE OF THIS LIMITED

**WARRANTY. WARNING! WARNING! WARNING! WARNING!**

**BE SURE** THAT THE HITCH BALL ON ANY TOWING VEHICLE MATCHES THE DIMENSION OF THE TRAILER COUPLER.

**BE SURE** THAT YOU SECURE ALL SAFETY CHAINS AND BREAK-AWAY BRAKING SYSTEMS BEFORE EACH USE.

**BE SURE** THAT ALL LUG NUTS ARE TIGHT BEFORE USING.

**BE SURE** TO CLOSE AND SECURE ALL DOORS AND GATES BEFORE TOWING.



**NOTES**



**NOTES**



Intentionally left blank



Intentionally left blank





SPACE Trailers  
5001 Moundview Dr.  
Red Wing, MN 55066  
[www.spacetrailers.com](http://www.spacetrailers.com) • 833-538-0029

We reserve the right to make design and/or material modification without prior notice.

Copyright © 2021 SPACE Trailers. All Rights Reserved. Second Edition, July 2021 Red Wing Gear, Red Wing, MN.

---