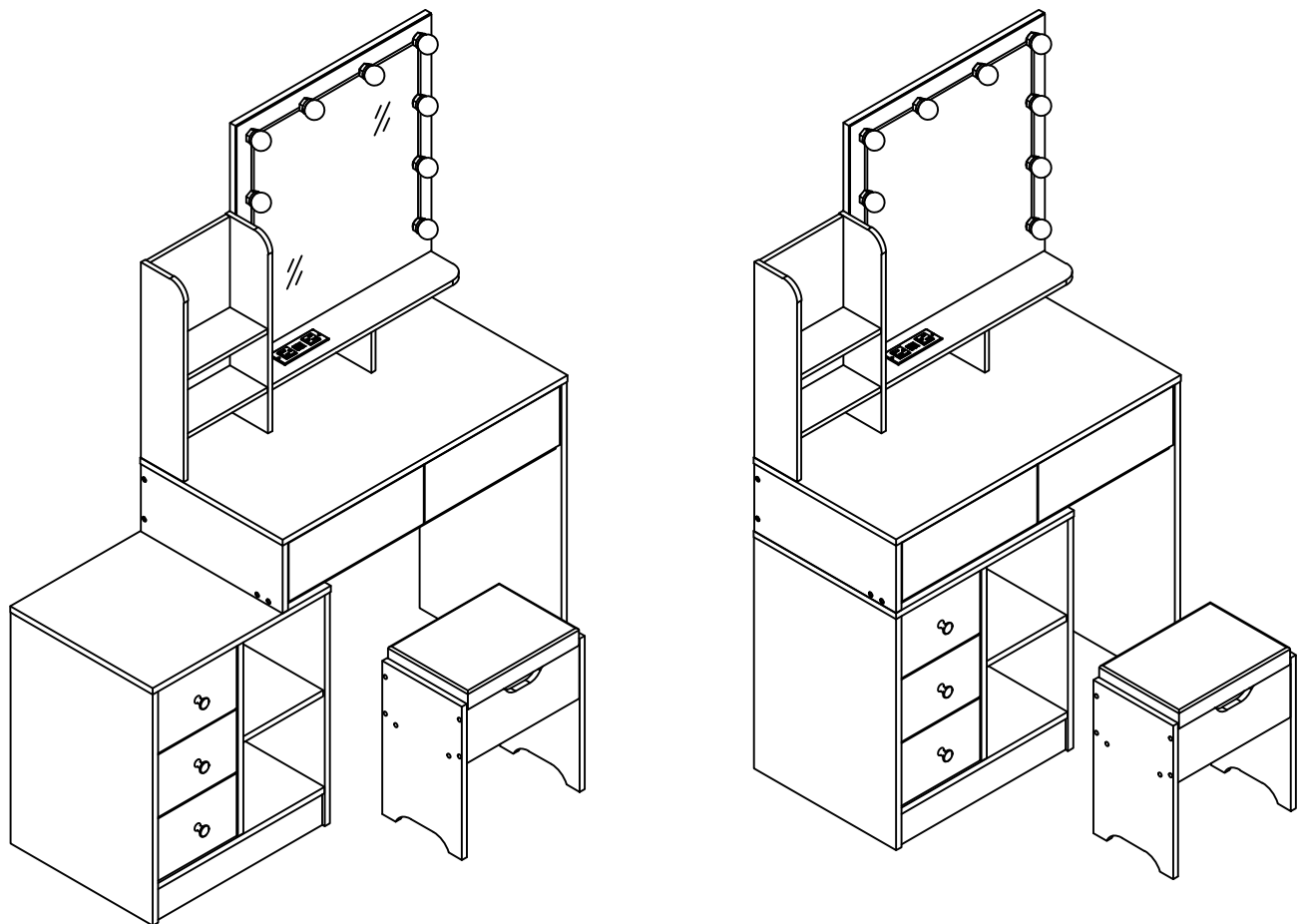




JY9995BS02

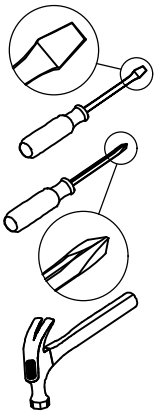


As this item contains many parts, please read the installation instruction carefully before installation . Please use tools properly and carefully. If you have any questions about the product and installation, please contact us.

service@vabchesofficial.com

Our professional after-sales team will serve you online all day.

Before You Start

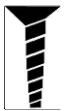


- ✓ Read through each step carefully and follow the proper order
- ✓ Separate and count all your parts and hardware
- ✓ Give yourself enough room for the assembly process
- ✓ Have the following tools: Flat Head Screwdriver, #2 Phillips Head Screwdriver and Hammer
- ✓ Caution: If using a power drill or power screwdriver for screwing, please be aware of to slow down and stop when screw is tight. Failure to do so may result in stripping the screw. (Assembly speed can be increased by using electric screwdriver)

Helpful Hints

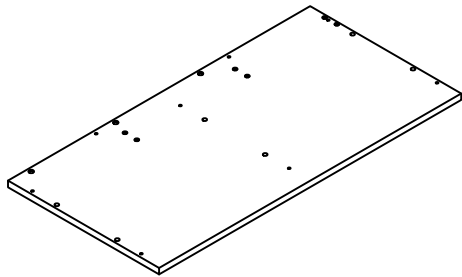
PEOPLE NEEDED FOR ASSEMBLY: 1-2

- Open your item in the area you plan to keep it to avoid excessive heavy lifting.
- Identify, sort and count the parts before attempting assembly.
- Compression dowels are lightly tapped in with a hammer.
- Slides are labeled with an **R** (right) and **L** (left) for proper placement.
- Make sure to always face the point on the top of the Cam Lock towards the outer edge.
- If there is a back panel in the package, please install it to make sure your unit is complete and sturdy.
- Please fix all the screws provided for the back panel which can enhance product stability. If it is difficult to fix it when tightening, it can be fixed with the help of a hammer and then tightened.
- Do NOT use harsh chemicals or abrasive cleaners on this item.
- Never push, pull, or drag your furniture.

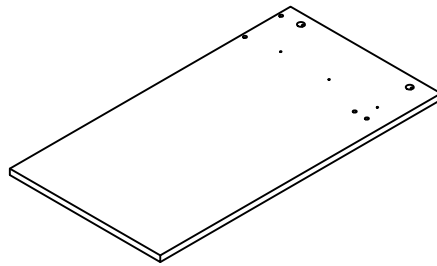


Board Identification

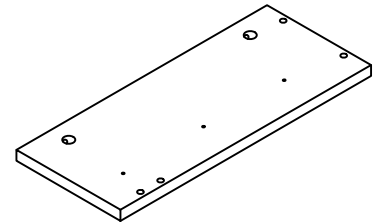
Not actual size



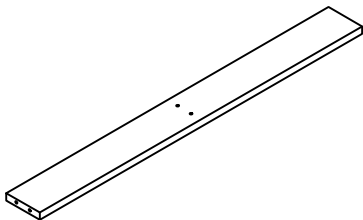
Ⓐ
TOP
Qty:1



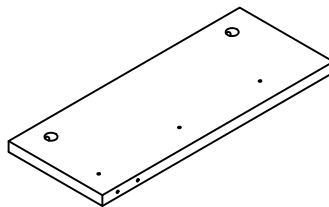
Ⓑ
RIGHT SIDE PANEL
Qty:1



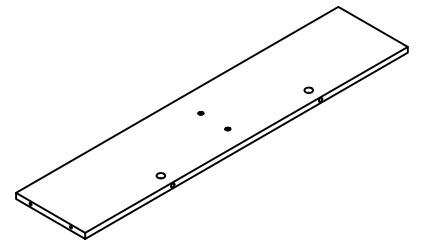
Ⓒ
LEFT SIDE PANEL
Qty:1



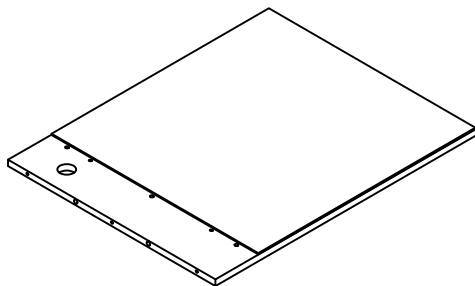
Ⓓ
FRONT SLAT PANEL
Qty:1



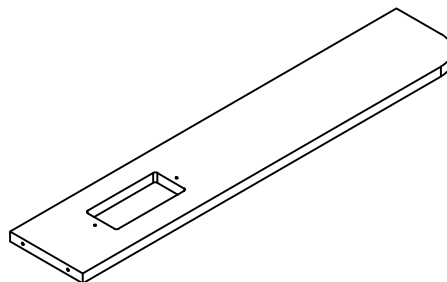
Ⓔ
PARTITION
Qty:1



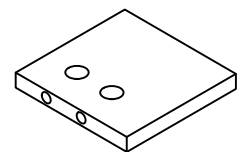
Ⓕ
UPPER BACK PANEL
Qty:1



Ⓖ
DRESSING MIRROR
Qty:1



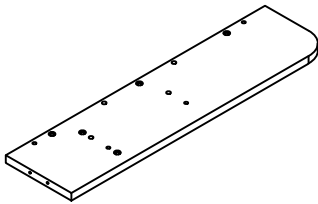
Ⓖ
HUTCH SIDE PANEL
Qty:1



Ⓖ
HUTCH SIDE PANEL
Qty:1

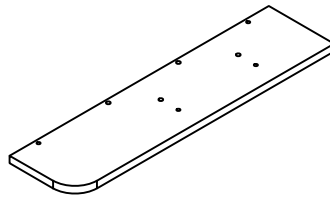
Board Identification

Not actual size



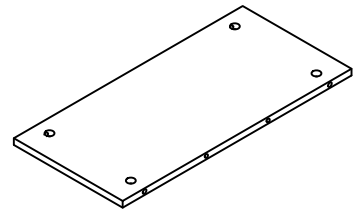
ⓐ

UPPER RIGHT SIDE PANEL
Qty:1



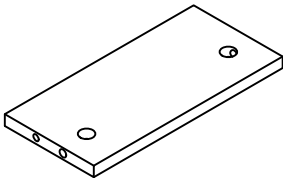
ⓑ

UPPER LEFT SIDE PANEL
Qty:1



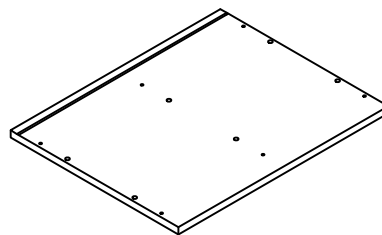
ⓒ

UPPER BACK PANEL
Qty:1



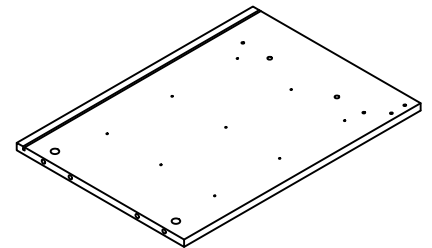
ⓓ

FIXED SHELF
Qty:2



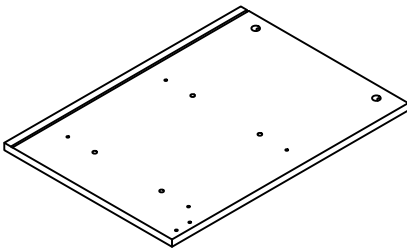
ⓔ

CABINET TOP
Qty:1



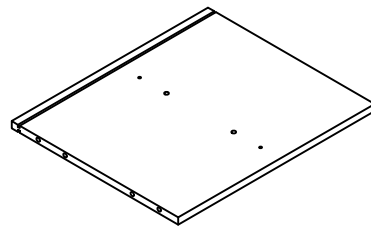
ⓕ

CABINET LEFT SIDE PANEL
Qty:1



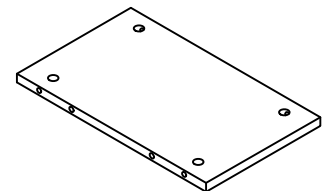
ⓖ

CABINET LEFT SIDE PANEL
Qty:1



ⓗ

CABINET PARTITION
Qty:1

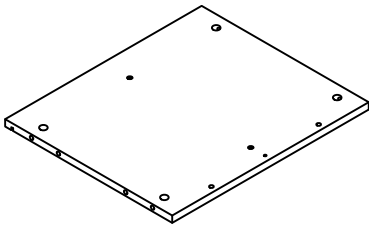


ⓘ

CABINET PARTITION
Qty:1

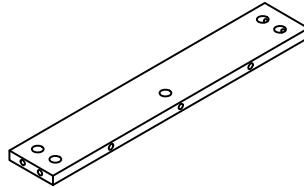
Board Identification

Not actual size



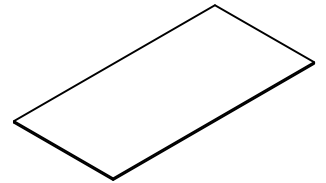
Ⓢ

CABINET BOTTOM BOARD
Qty:1



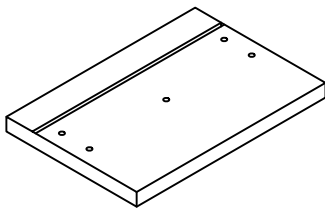
Ⓣ

CABINET FRONT SLAT
Qty:1



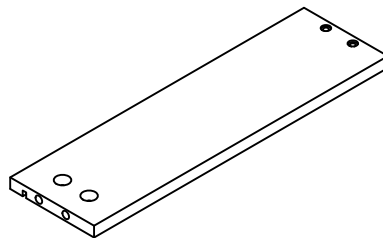
Ⓤ

CABINET BACK PANEL
Qty:2



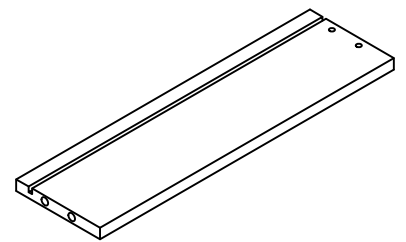
Ⓥ

DRAWER FRONT
Qty:3



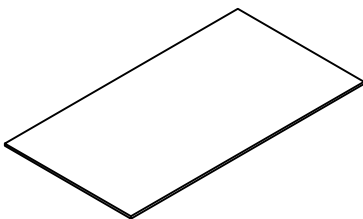
Ⓦ

DRAWER LEFT SIDE
Qty:5



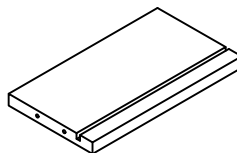
Ⓧ

DRAWER RIGHT SIDE
Qty:5



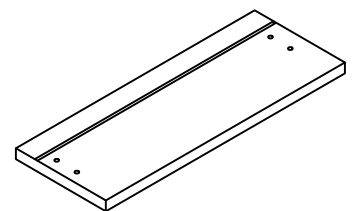
Ⓨ

DRAWER BOTTOM
Qty:3



Ⓩ

DRAWER BACK PANEL
Qty:3

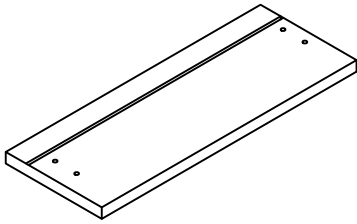


ⒶⒶ

LEFT DRAWER FRONT
Qty:1

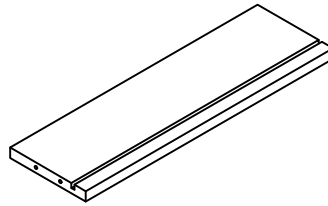
Board Identification

Not actual size



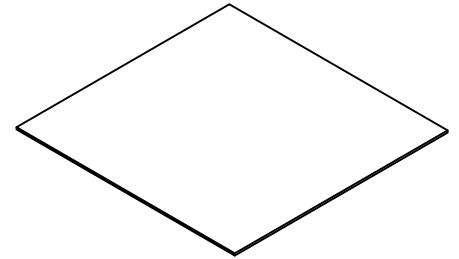
ⓑ

RIGHT DRAWER FRONT
Qty:1



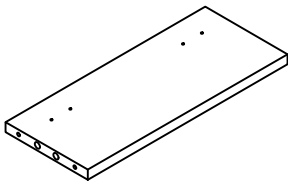
ⓒ

DRAWER BACK PANEL
Qty:2



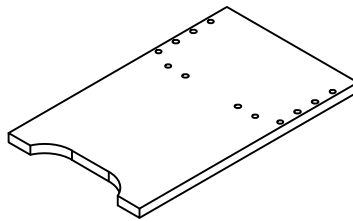
ⓓ

DRAWER BOTTOM
Qty:2



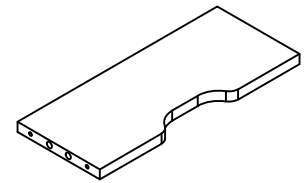
ⓔ

STOOL BACK APRON
Qty:1



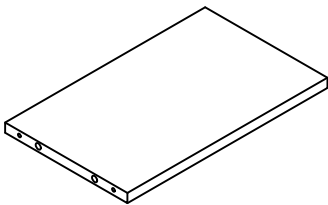
ⓕ

STOOL SIDE PANEL
Qty:2



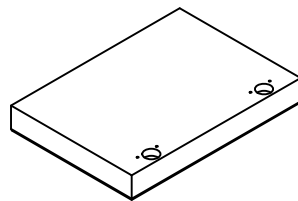
ⓖ

STOOL FRONT APRON
Qty:1



ⓓⓓ

STOOL BOTTOM BOARD
Qty:1

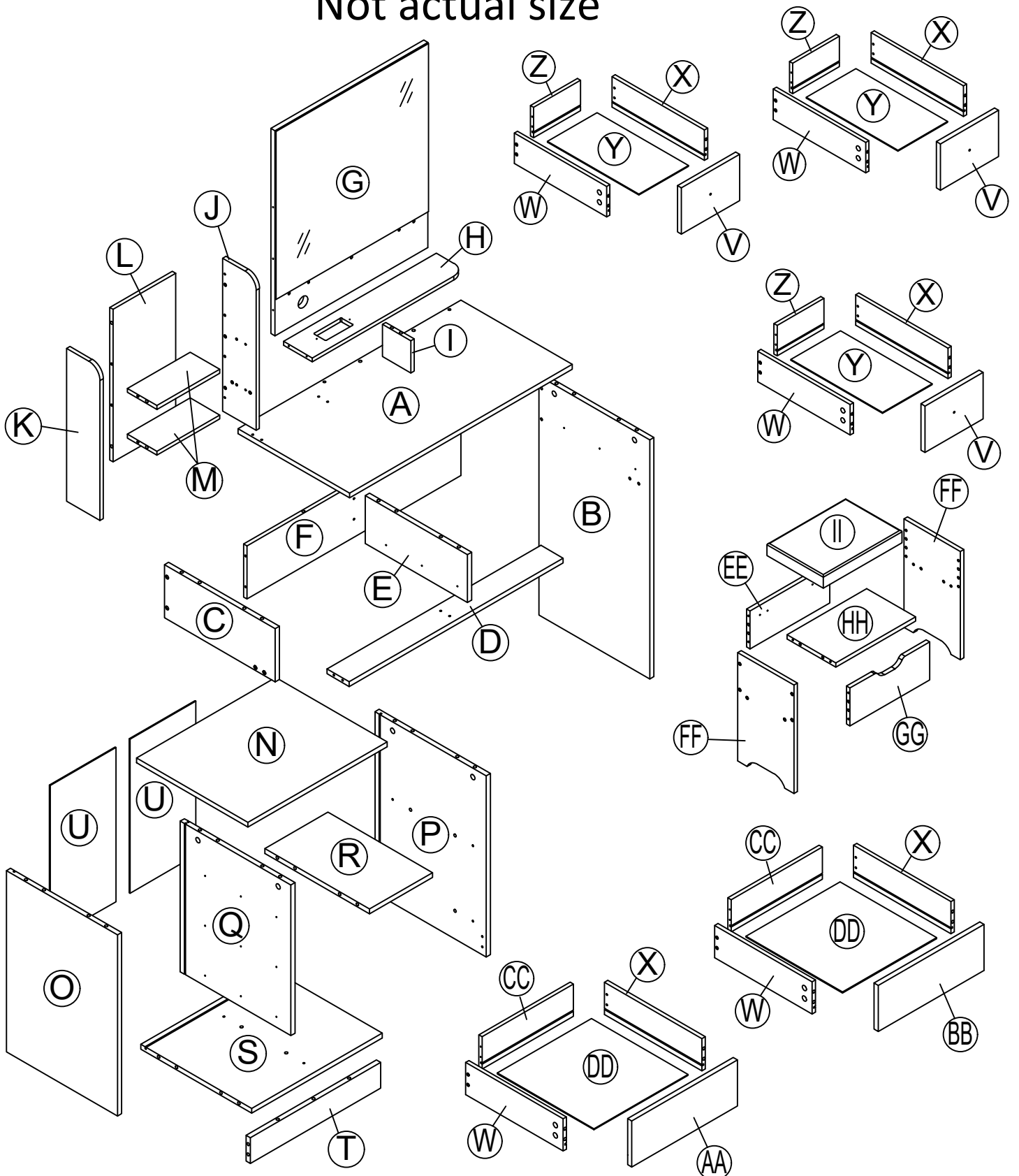


ⓓⓓ

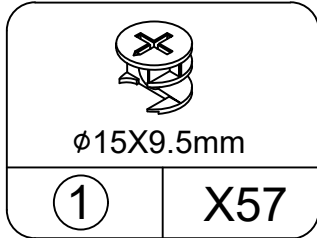
SPONGE CUSHION
Qty:1

Board Identification

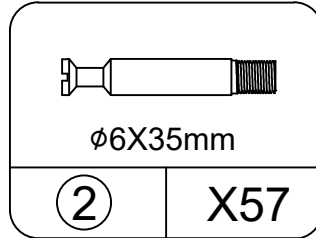
Not actual size



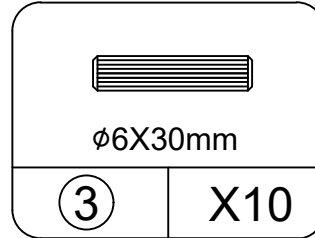
Part List



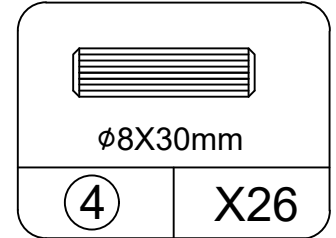
CAM LOCK
spare: 3



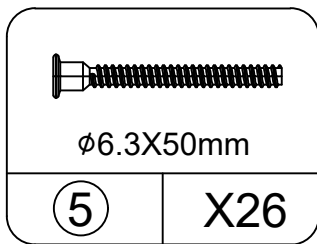
CAM BOLT
spare: 3



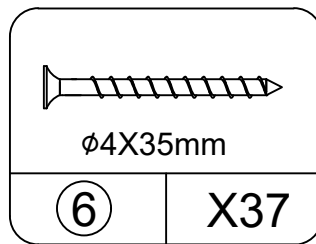
WOOD DOWEL
spare: 2



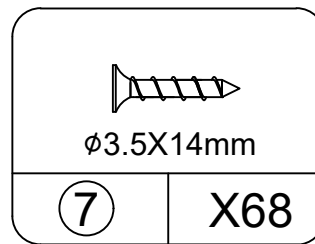
WOOD DOWEL
spare: 3



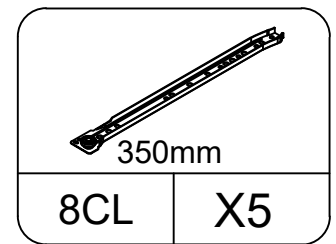
SCREW
spare: 3



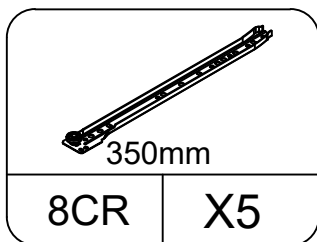
SCREW
spare: 3



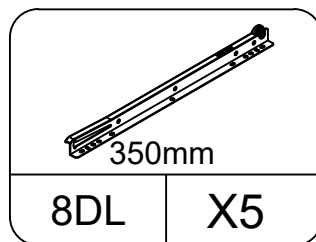
SCREW
spare: 3



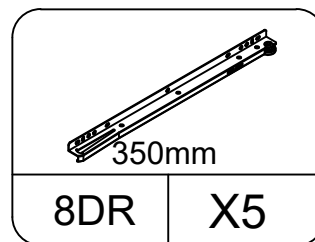
LEFT CABINET MEMBER



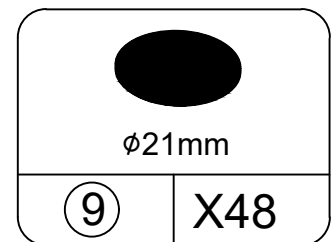
RIGHT CABINET MEMBER



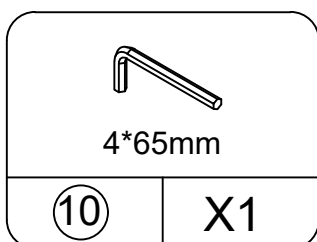
LEFT DRAWER RUNNER



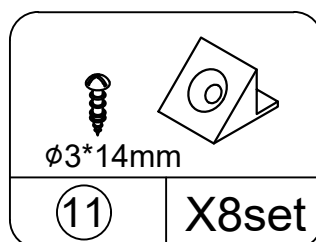
RIGHT DRAWER RUNNER



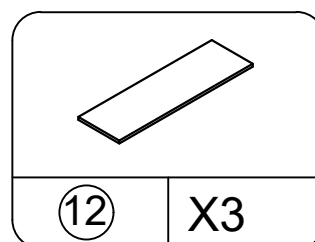
PERFECT STICKER
spare: 3



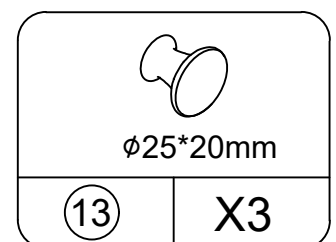
HEX KEY



BACK PANEL BUCKLE
spare: 1

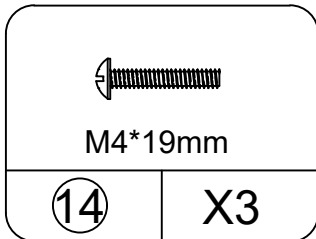


NON-SLIP MAT

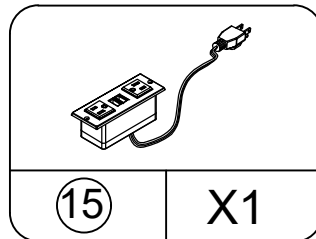


HANDLE

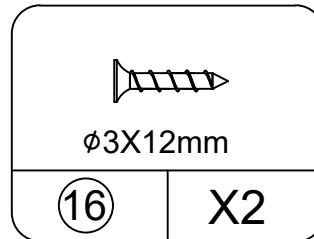
Part List



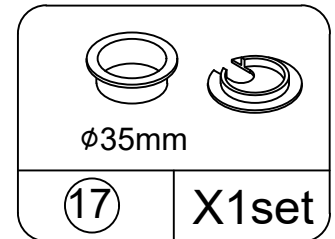
SCREW
spare: 1



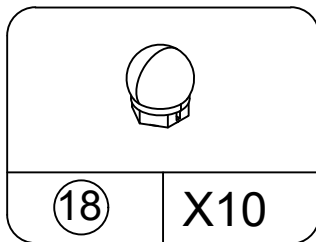
POWER STRIP



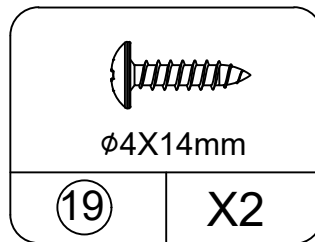
SCREW
spare: 1



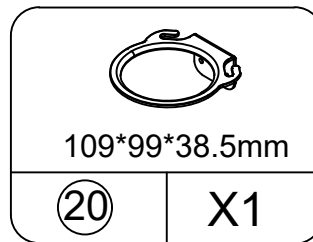
GROMMET



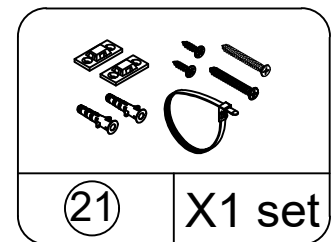
LIGHT BULB



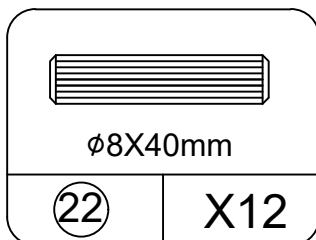
SCREW
spare: 1



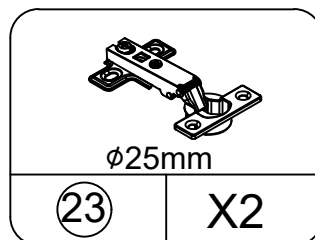
HAIR DRYER RACK



TIPPING RESTRAINT
HARDWARE KIT



WOOD DOWEL
spare: 1



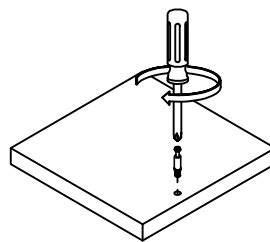
HINGE

Part List

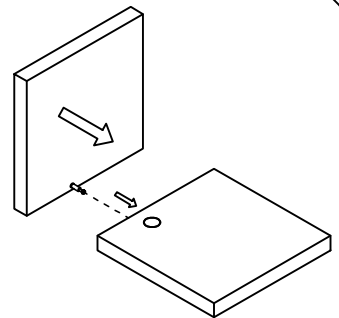
Cam Lock Fastening System

Insert the cam bolt into the hole first, then insert the cam lock and lock it.

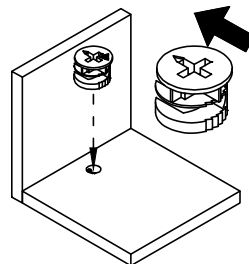
1



2

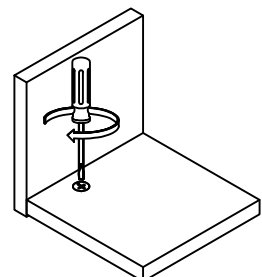


3

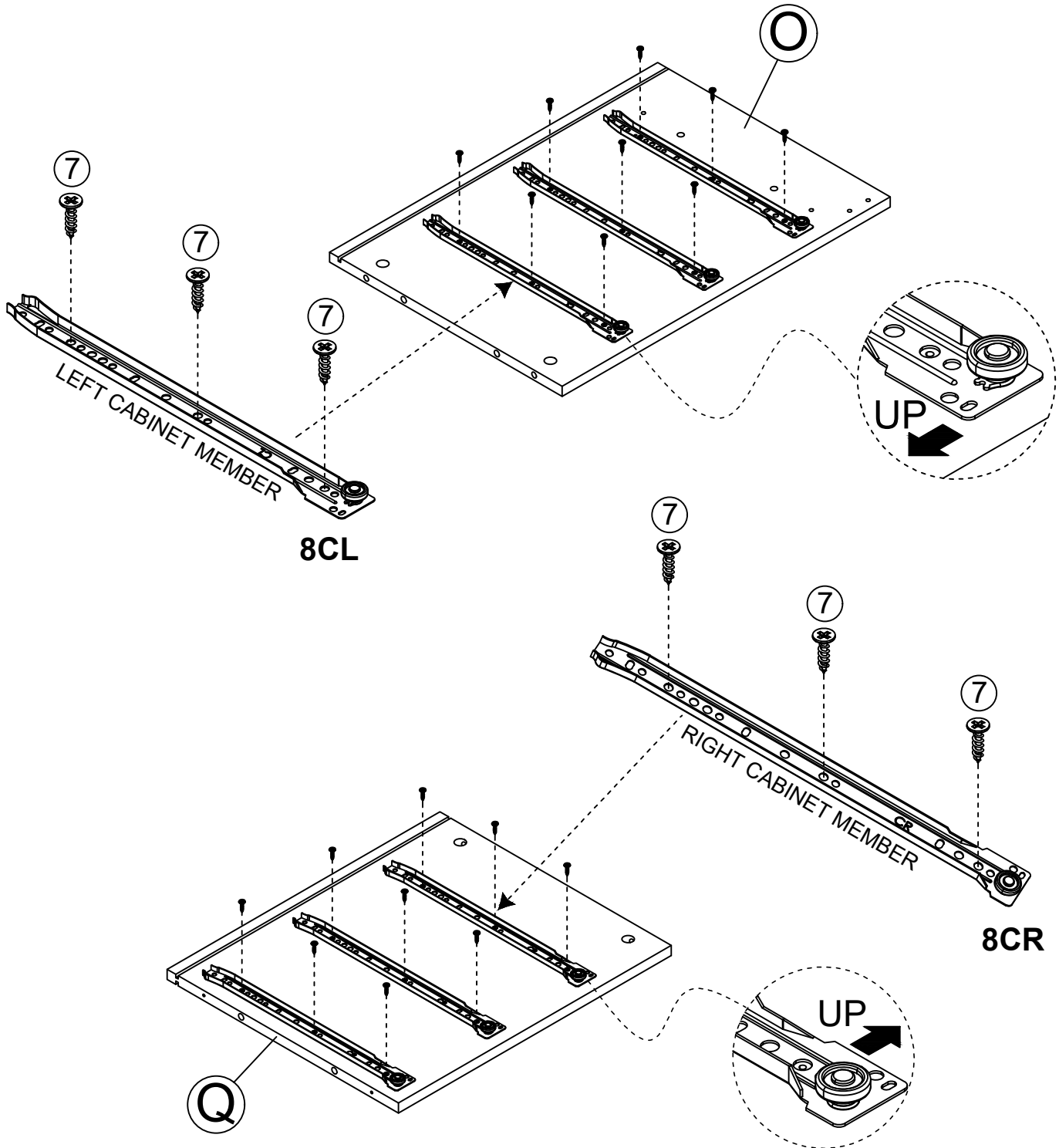
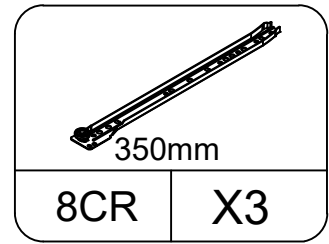
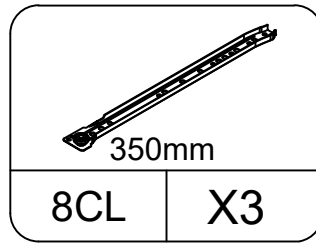
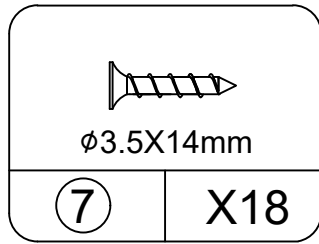
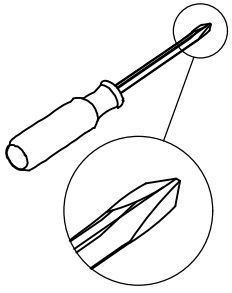


The opening must point toward the edge of the board

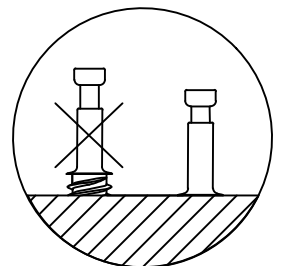
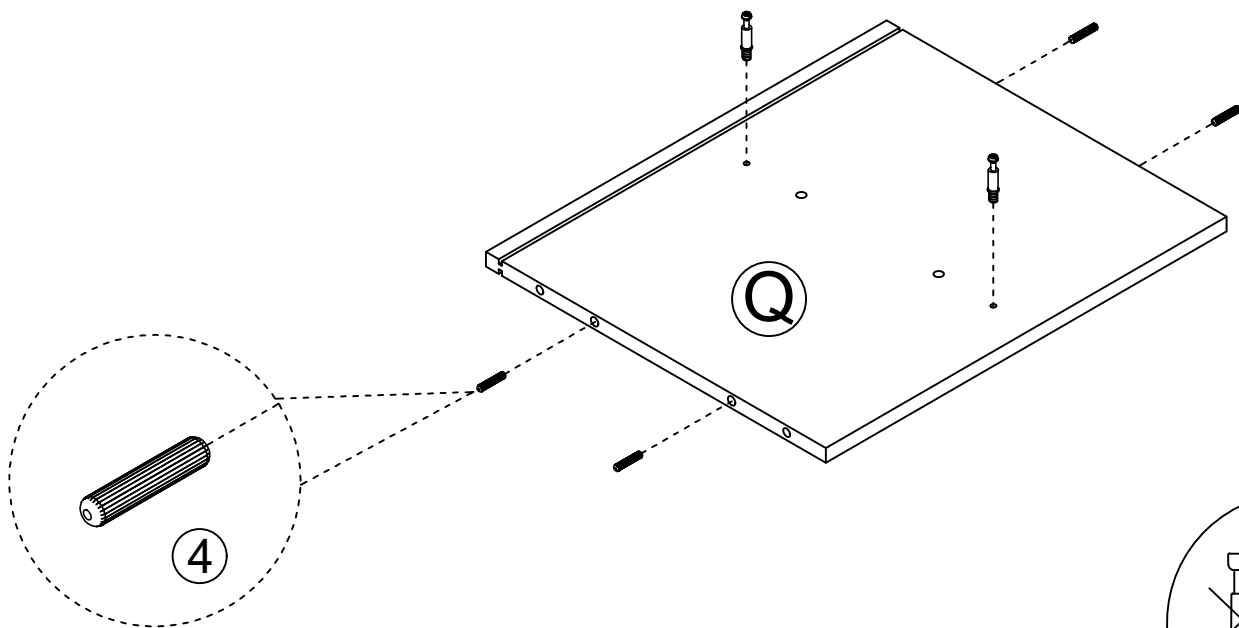
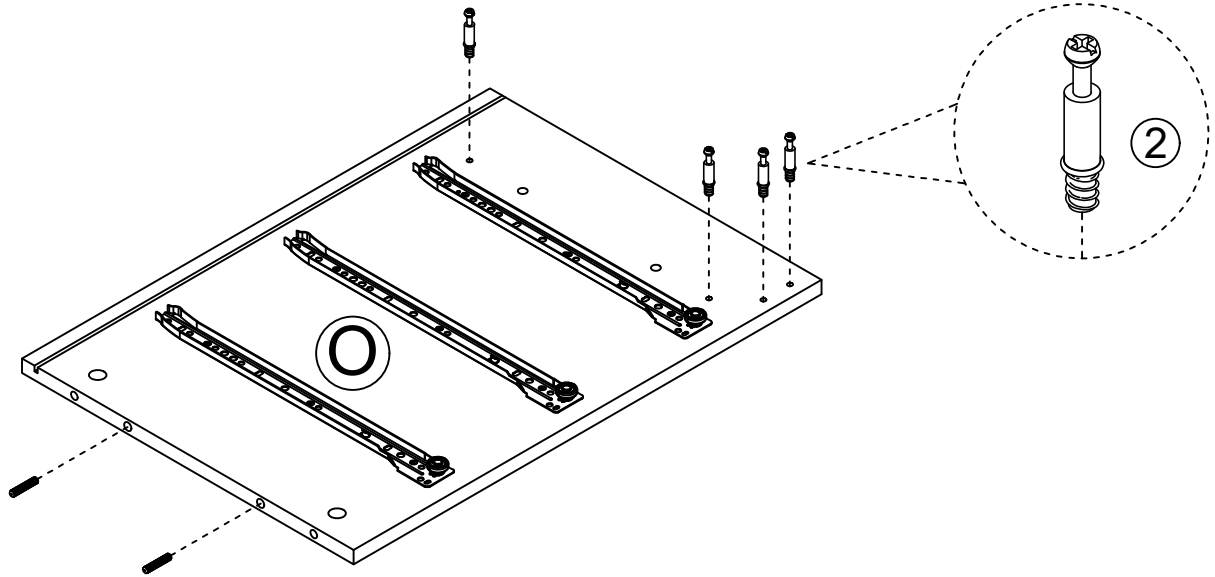
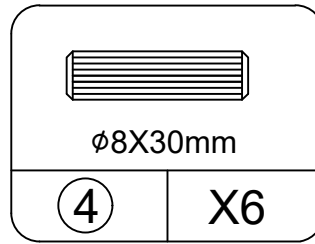
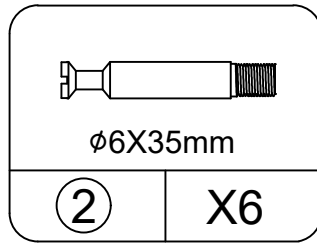
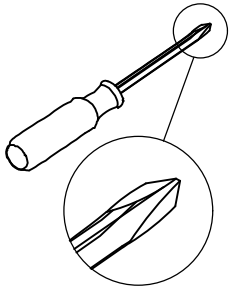
4



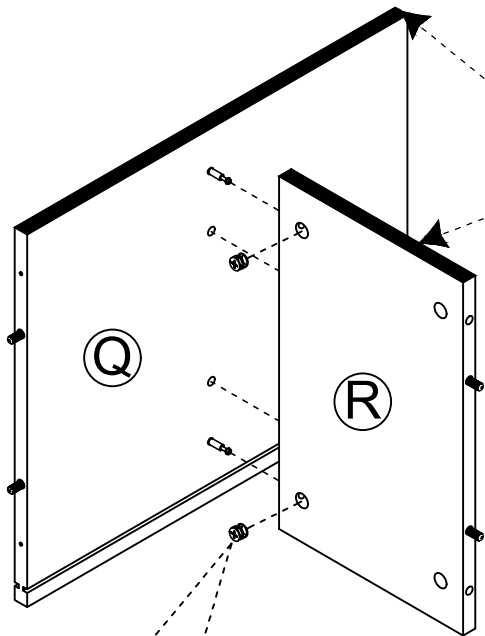
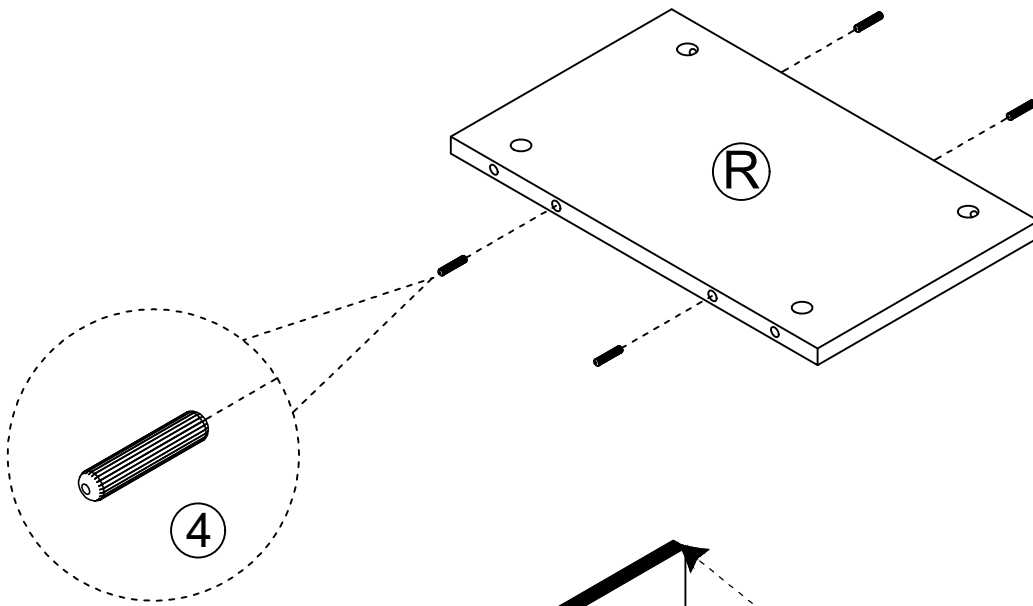
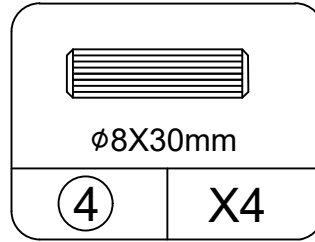
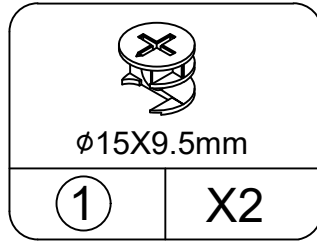
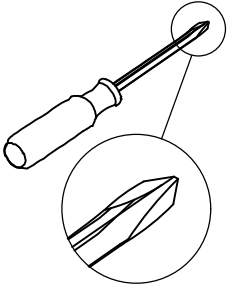
STEP1



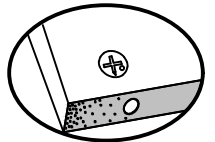
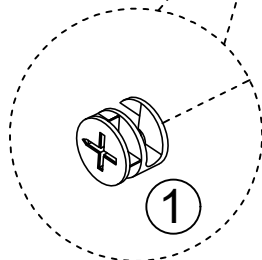
STEP2



STEP3

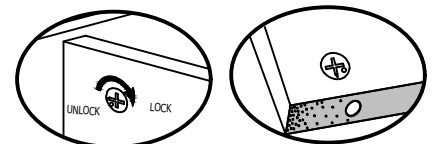
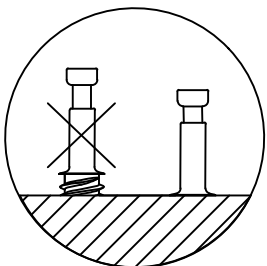
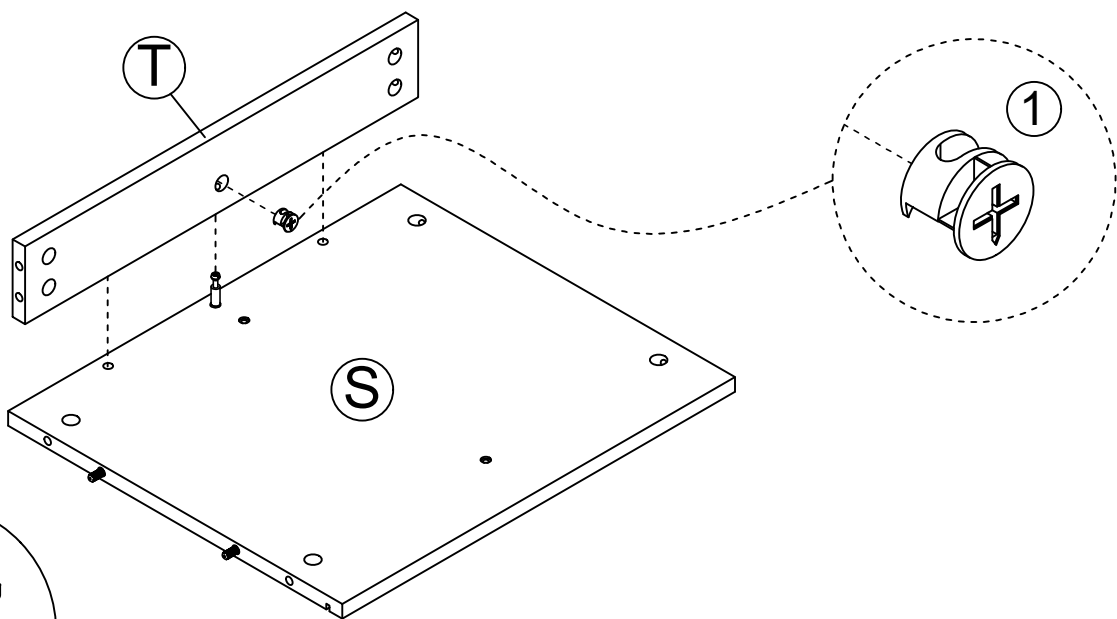
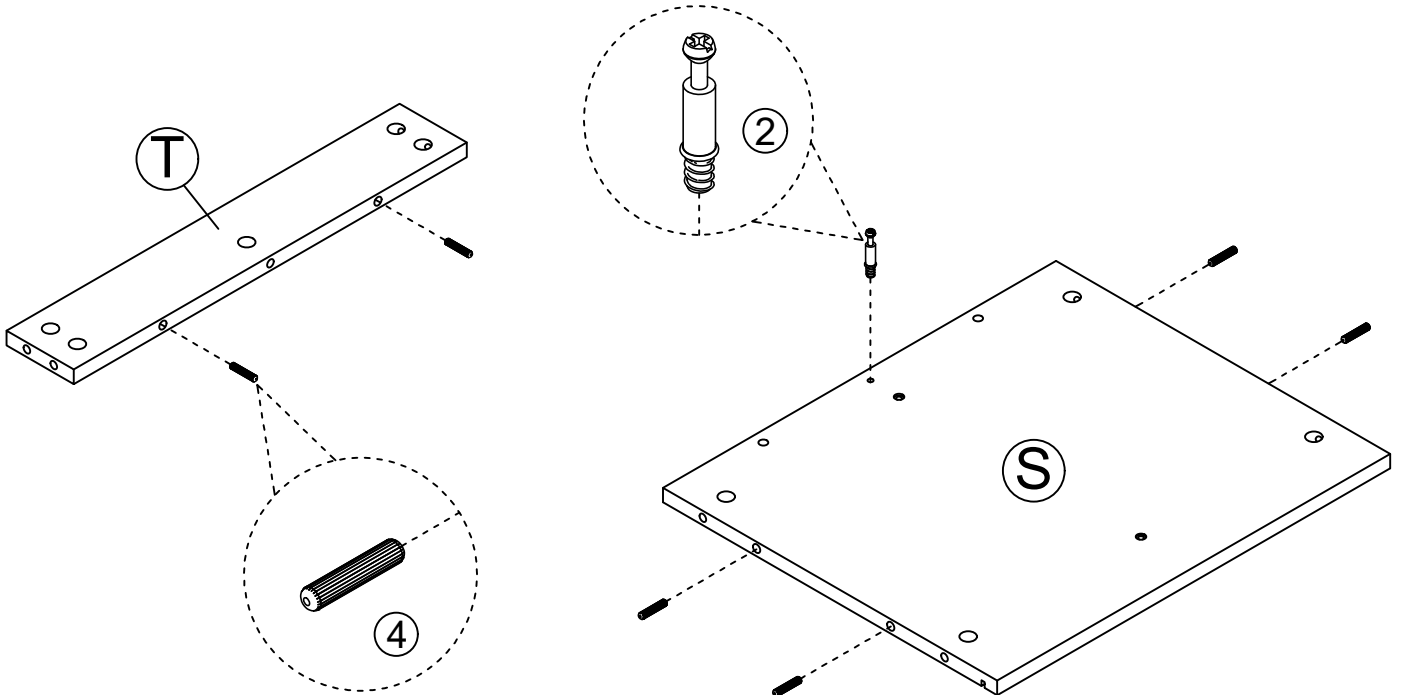
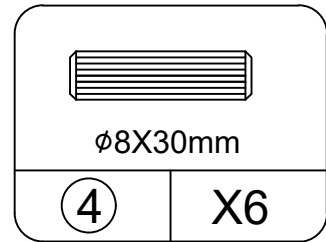
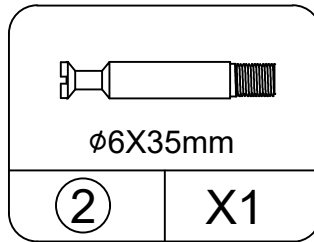
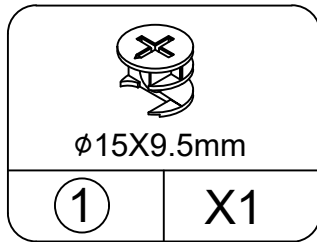
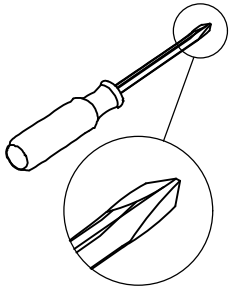


EDGE BANDING



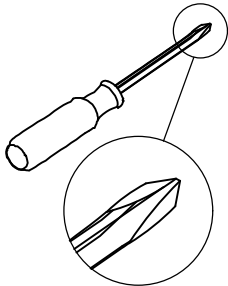
Proper orientation of CAM LOCK

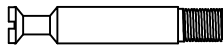
STEP4




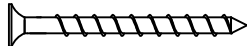
Proper orientation of CAM LOCK

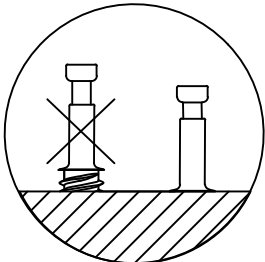
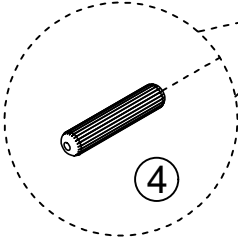
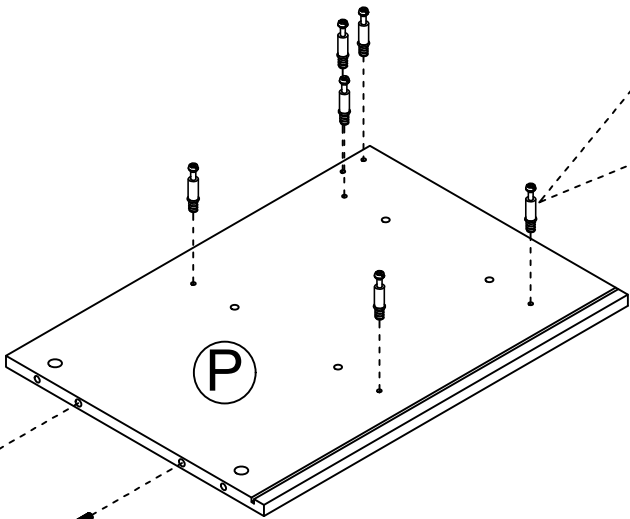
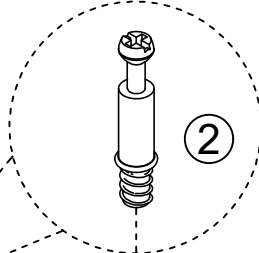
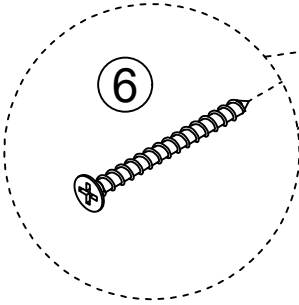
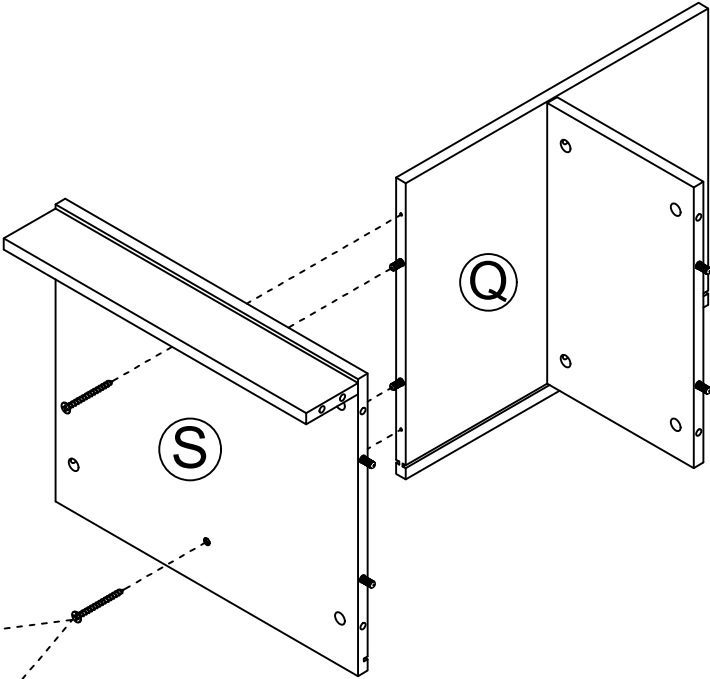
STEP5



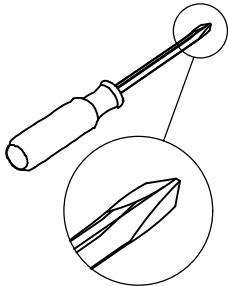
 ø6X35mm	
②	X6


 ø8X30mm	
④	X2

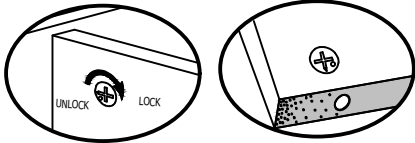
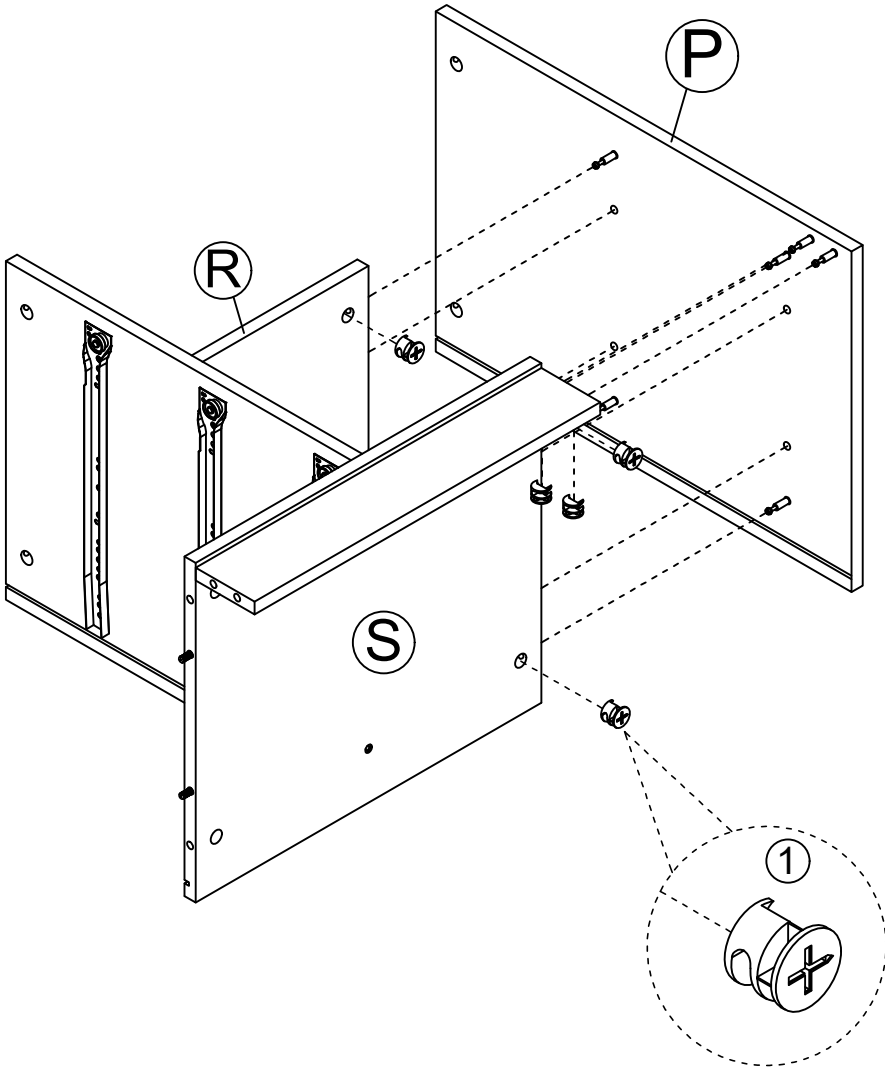
 ø4X35mm	
⑥	X2



STEP6

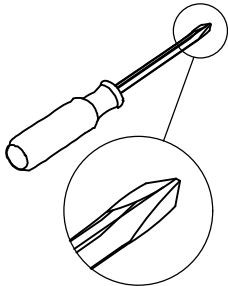



 Ø15X9.5mm	
1	X6

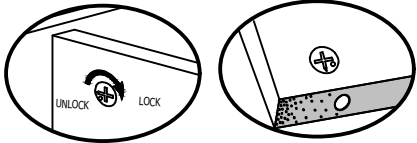
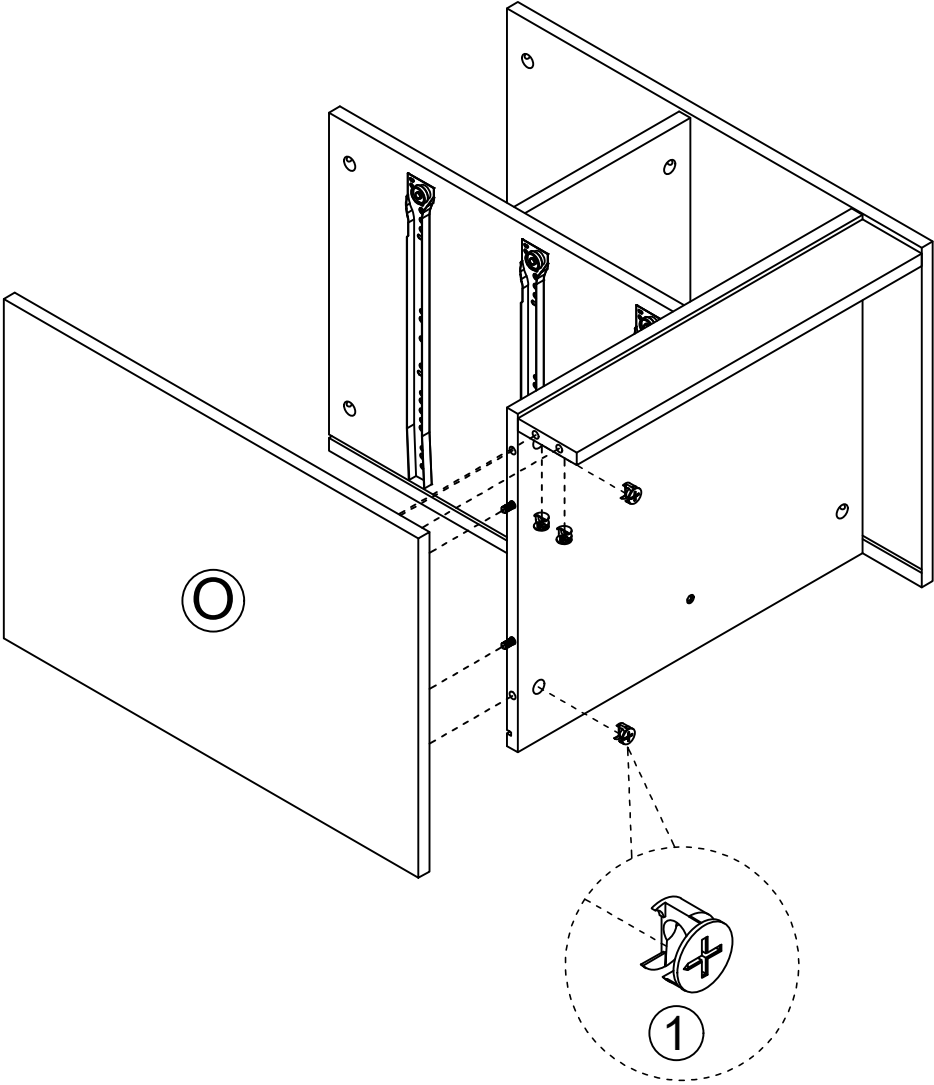


Proper orientation of CAM LOCK

STEP 7

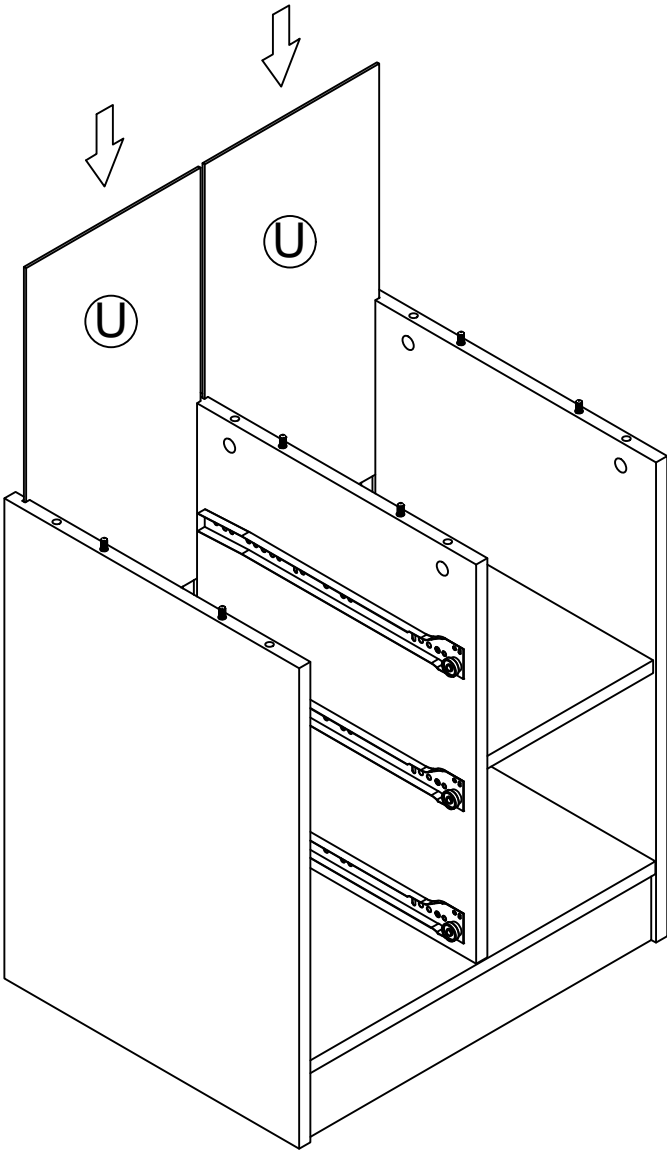
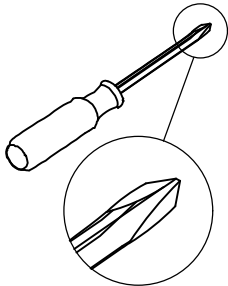


	
ø15X9.5mm	
1	X4

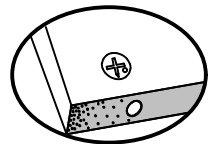
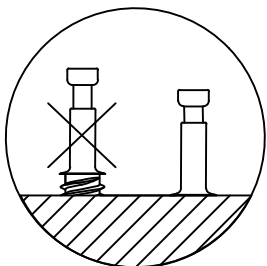
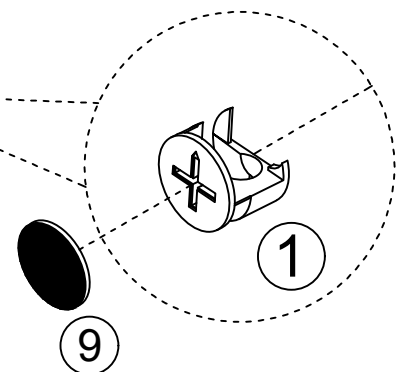
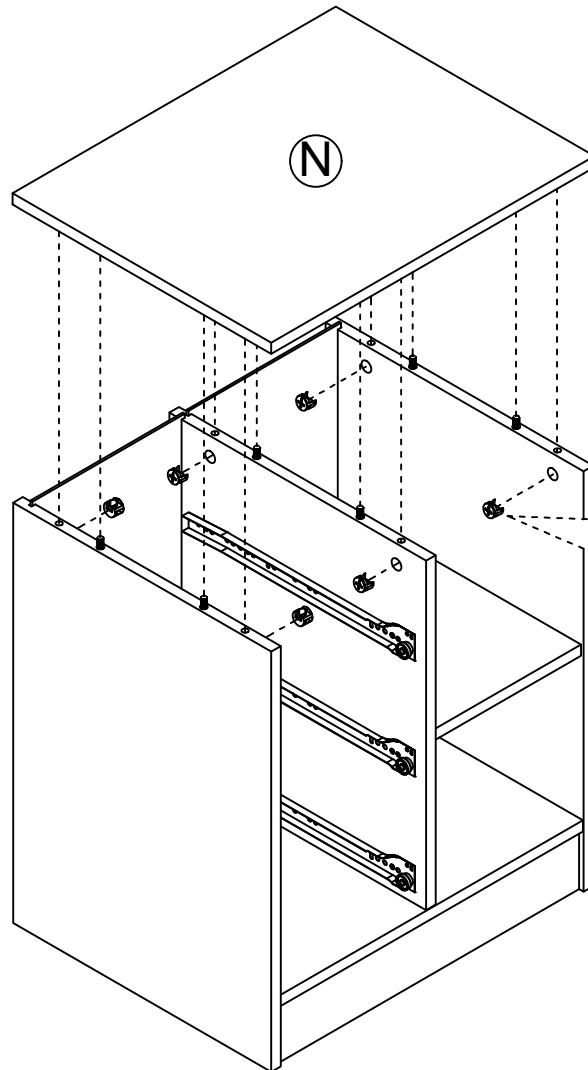
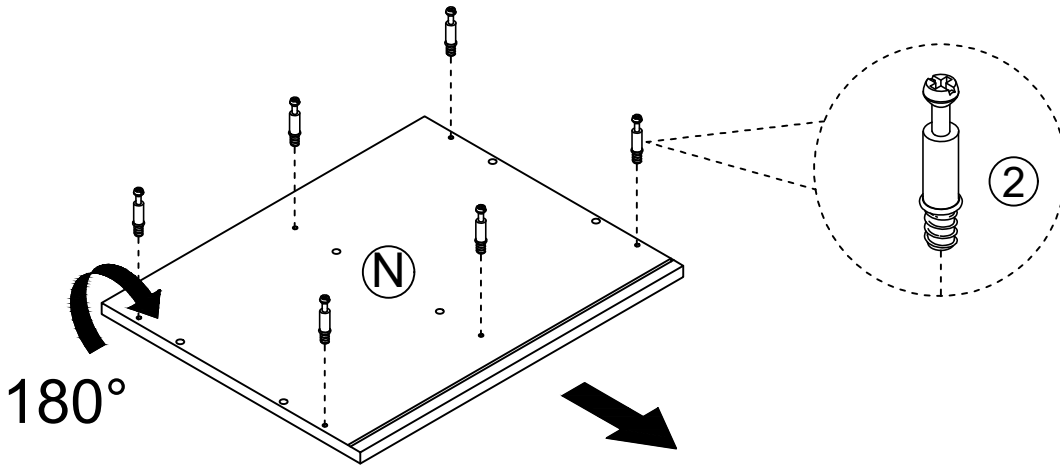
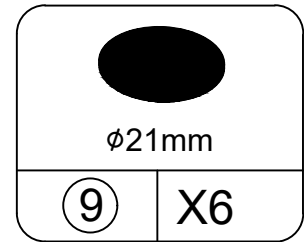
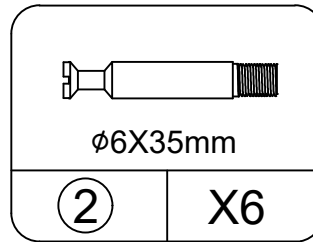
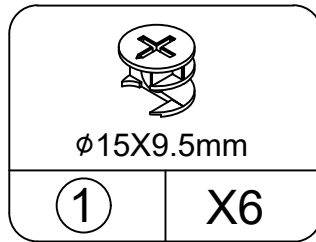
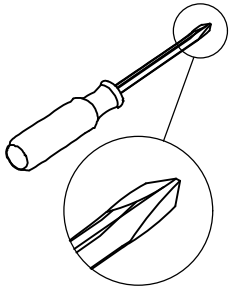


Proper orientation of CAM LOCK

STEP 8

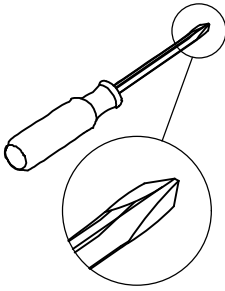



STEP 9

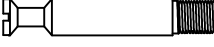


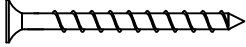
Proper orientation of CAM LOCK


STEP 10

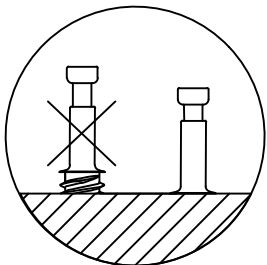
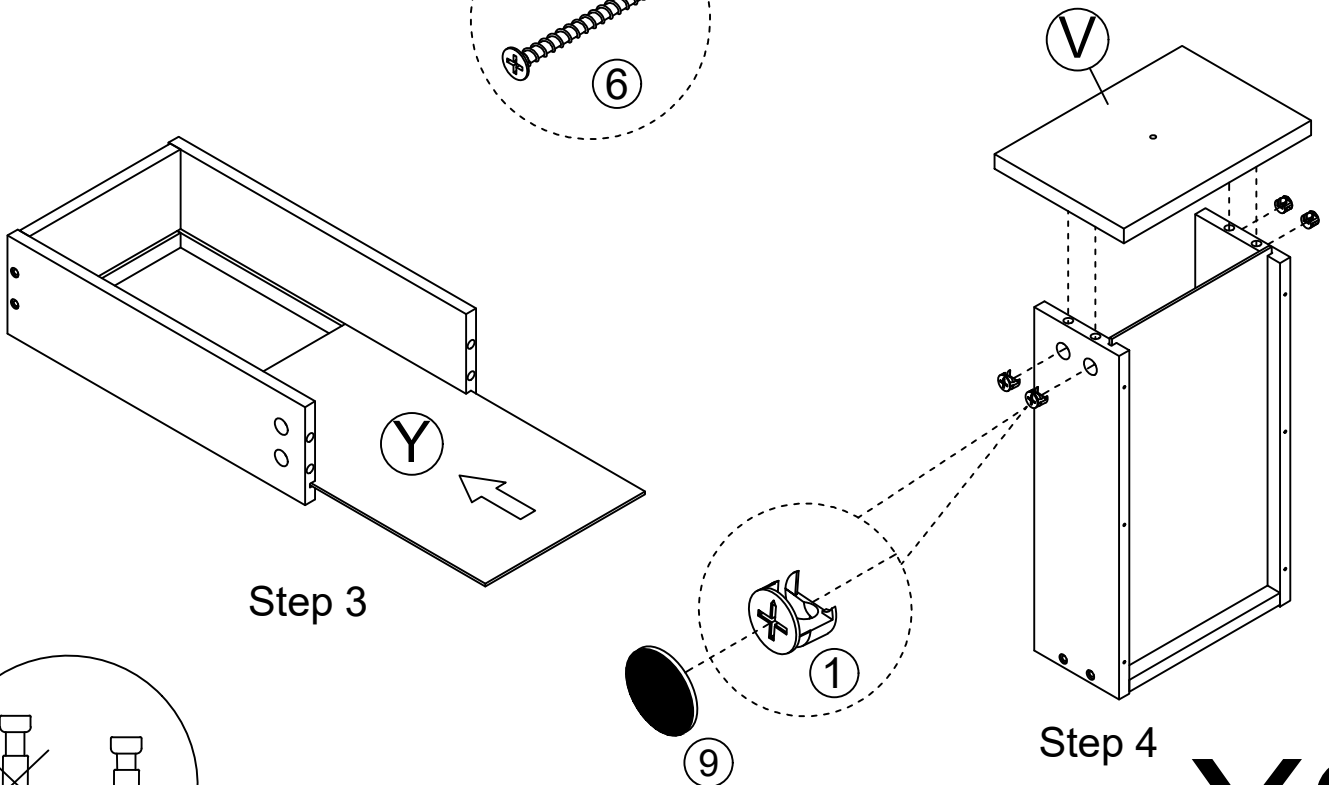
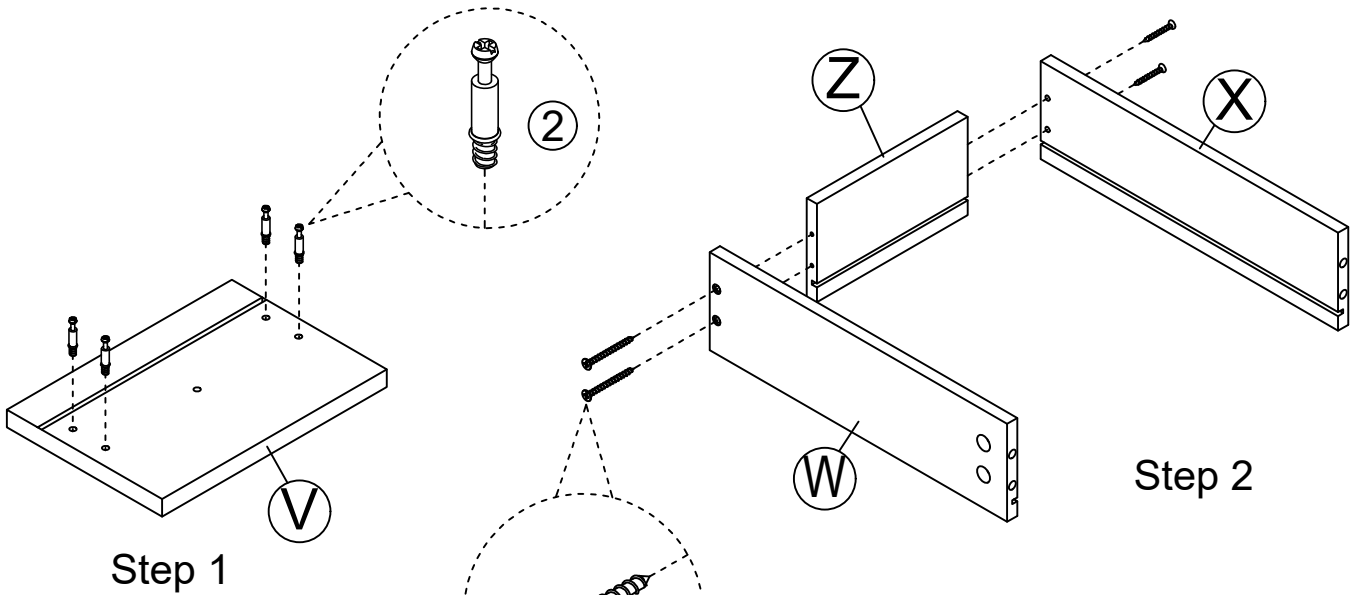


 $\phi 15 \times 9.5 \text{mm}$	
①	X12

 $\phi 6 \times 35 \text{mm}$	
②	X12

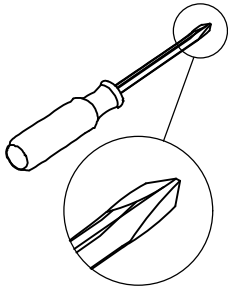
 $\phi 4 \times 35 \text{mm}$	
⑥	X12


 $\phi 21 \text{mm}$	
⑨	X12




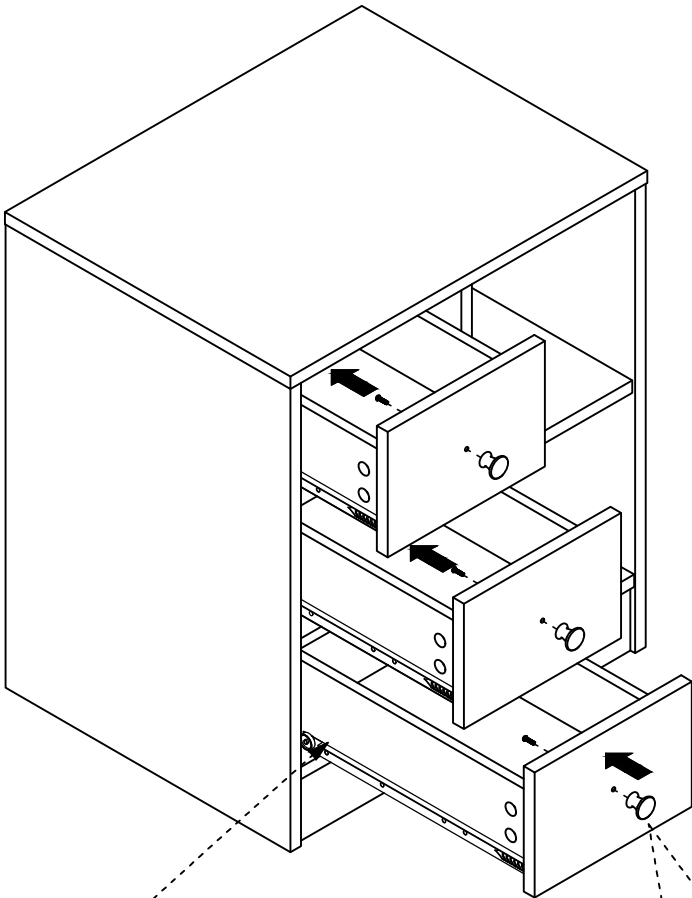
X3

STEP12

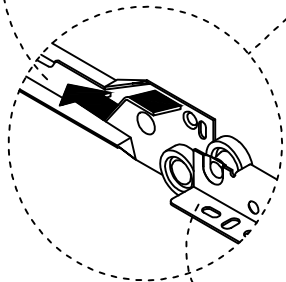


	
$\phi 25*20\text{mm}$	
13	X3

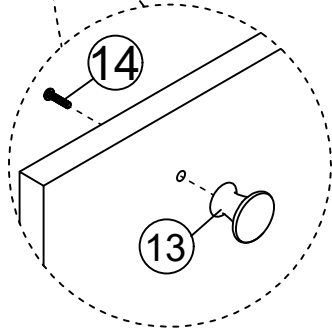
	
M4*19mm	
14	X3



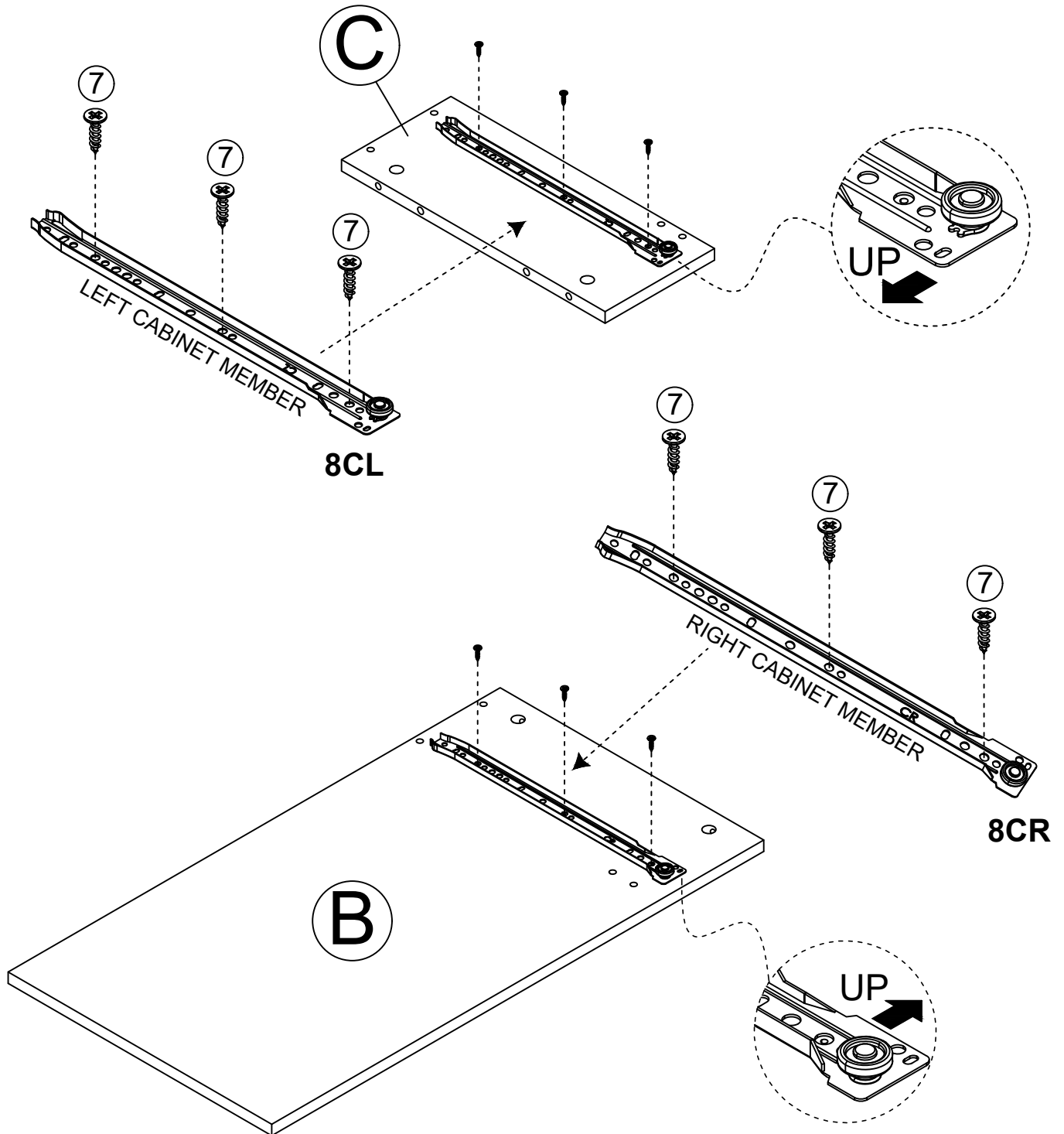
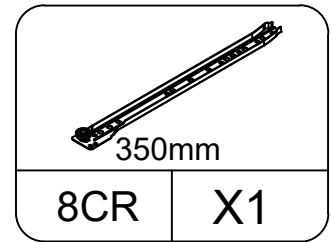
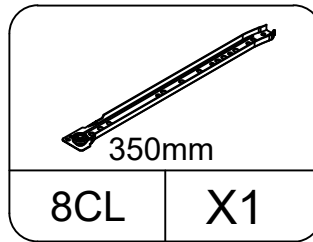
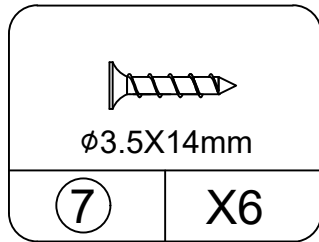
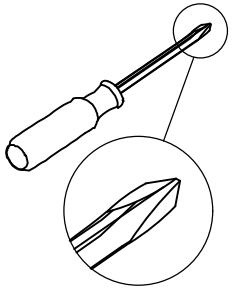
Cabinet Slide



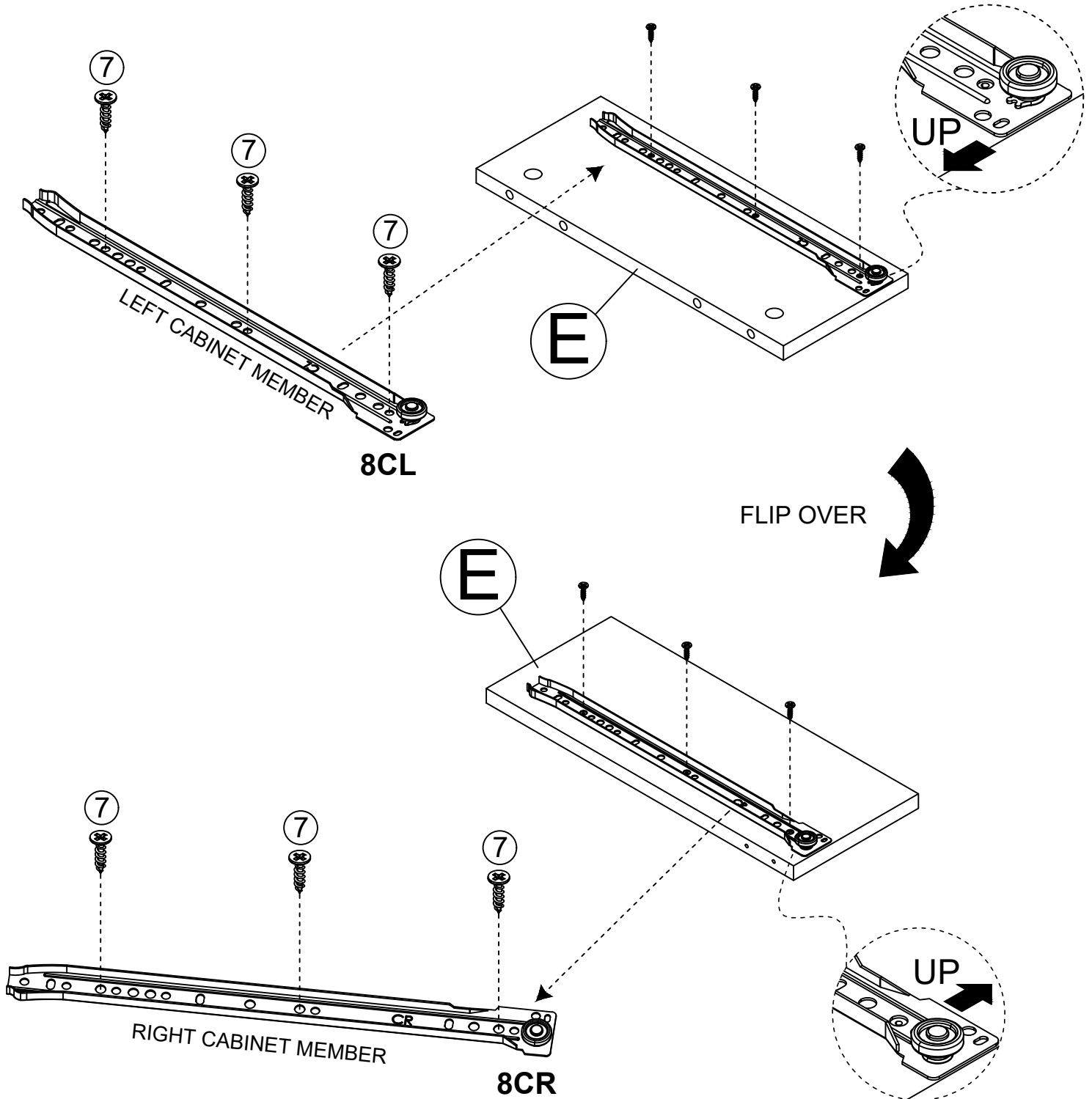
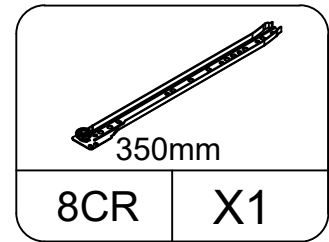
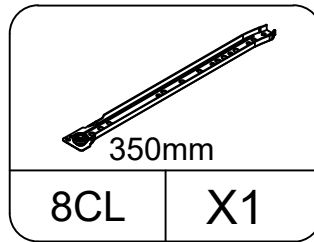
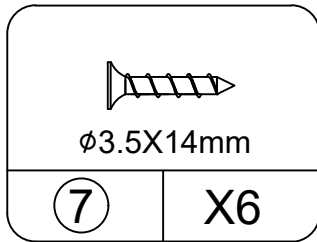
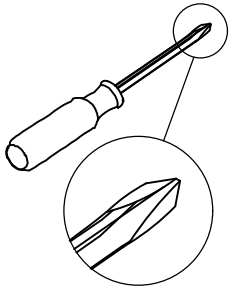
Drawer Slide



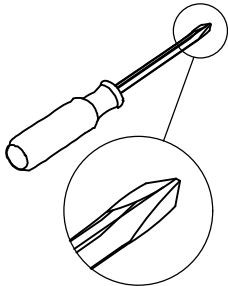
STEP13

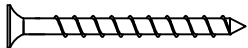


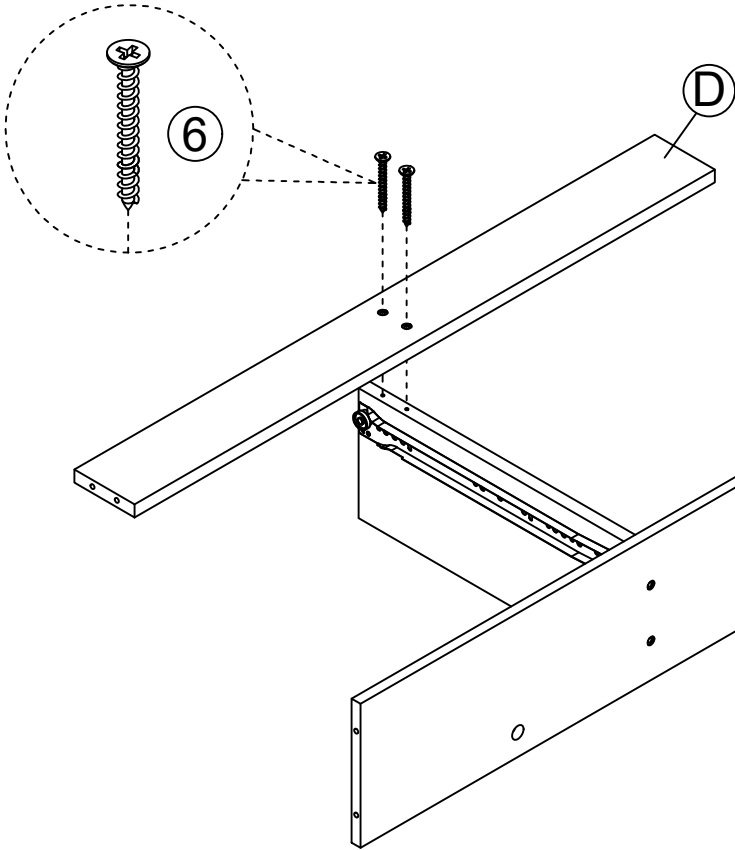
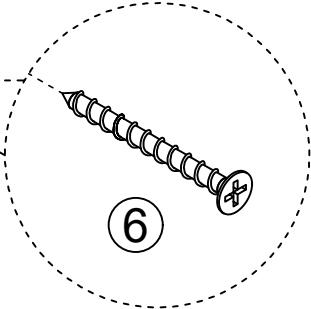
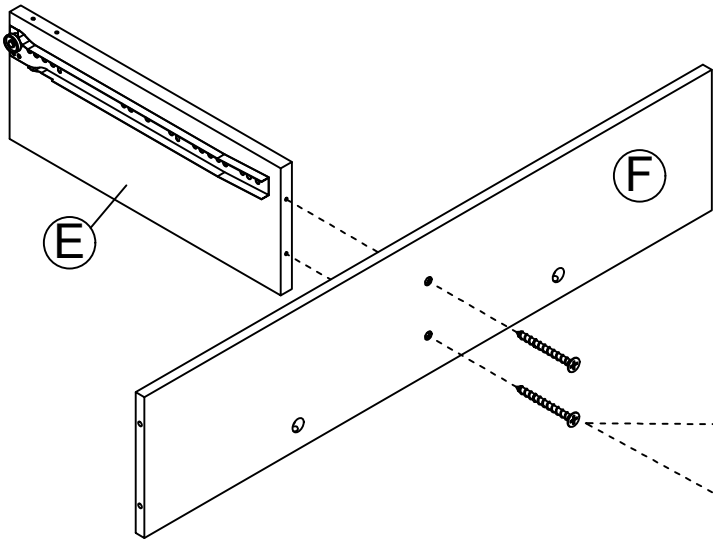
STEP 14



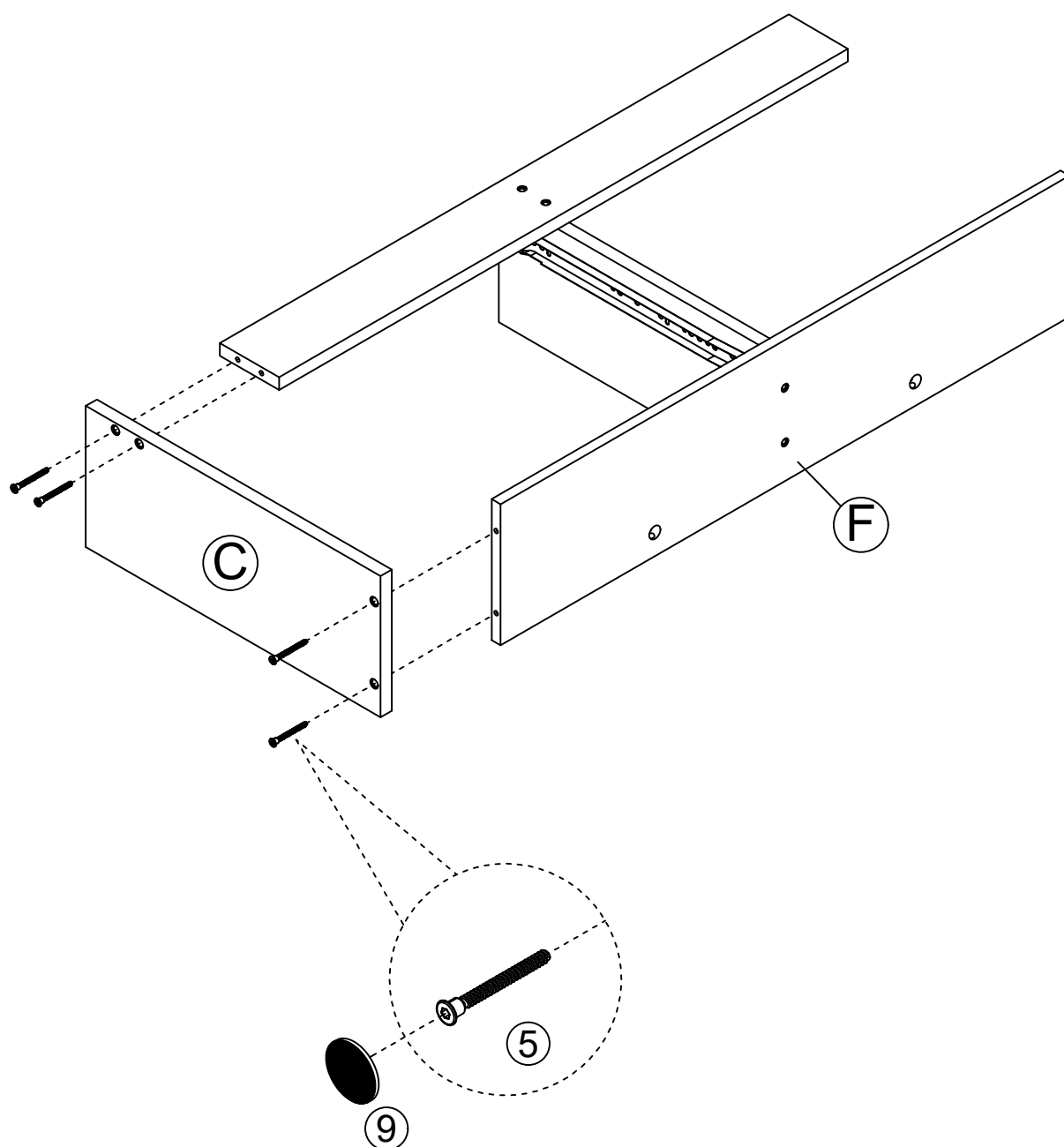
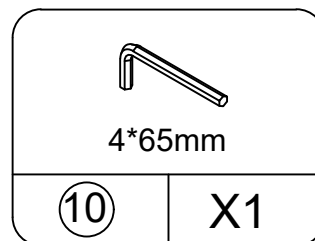
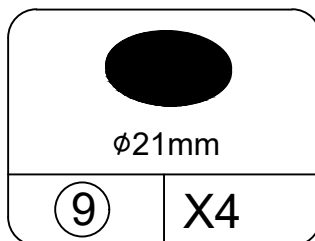
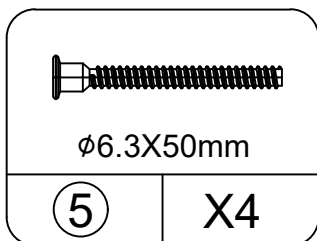
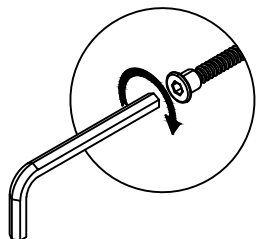
STEP15



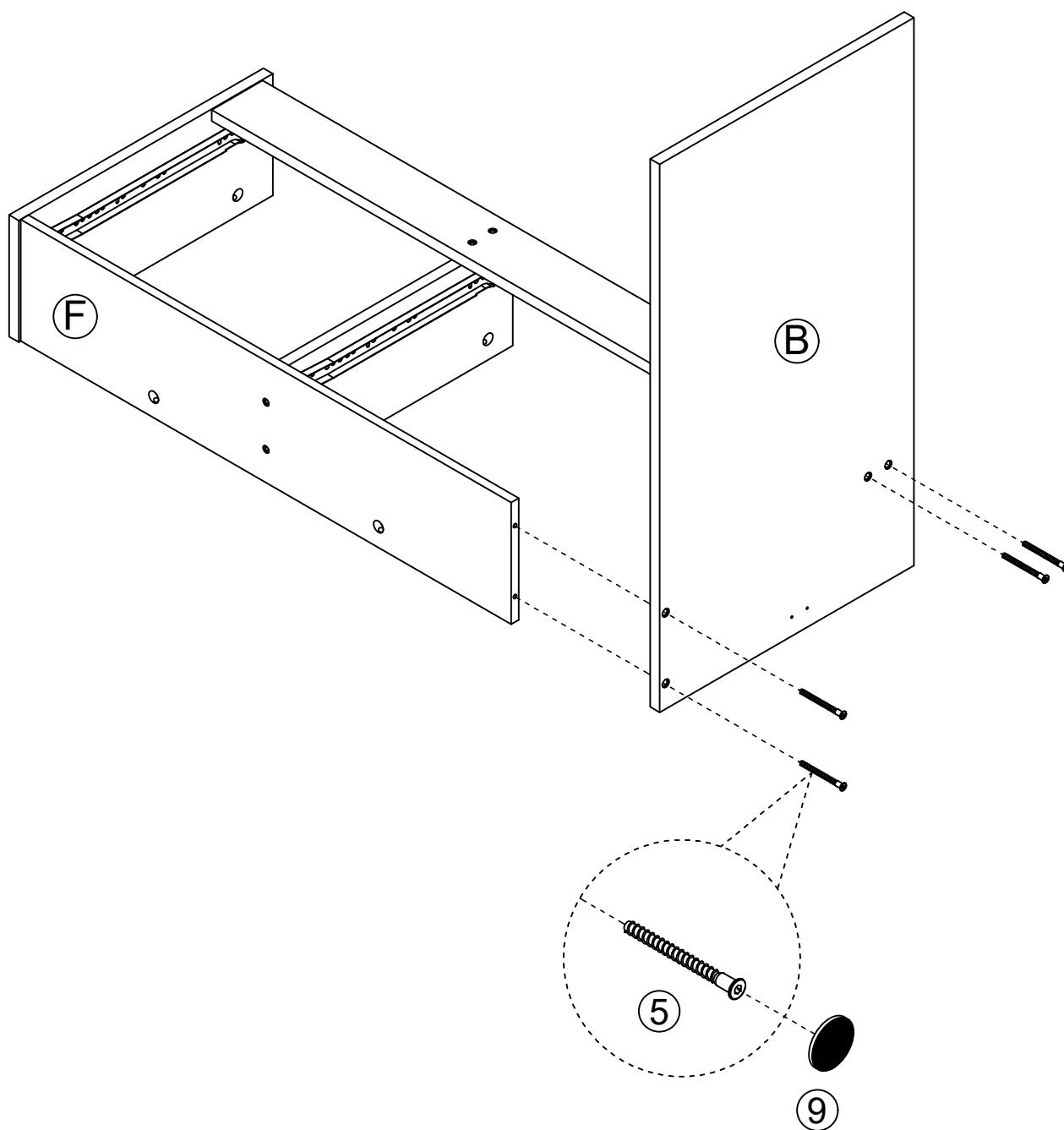
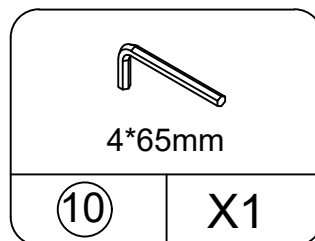
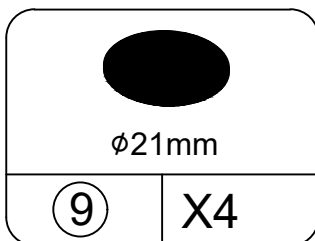
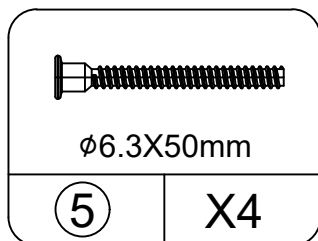
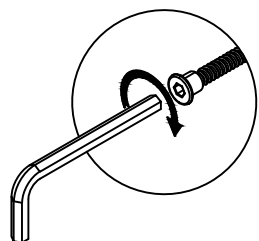
 ø4X35mm	
6	X4



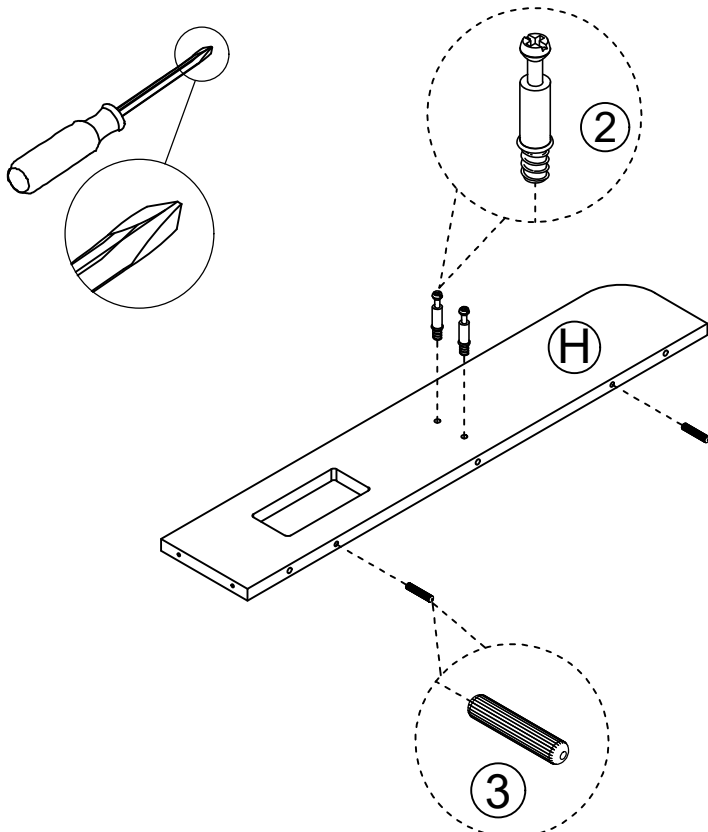
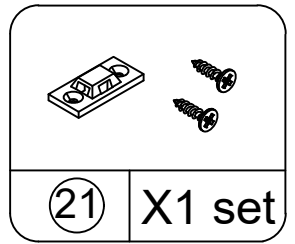
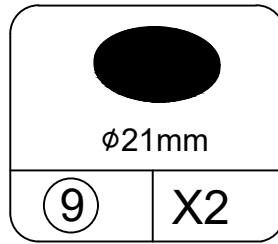
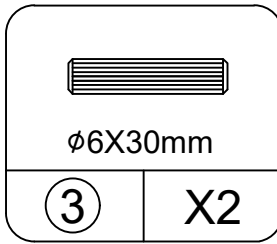
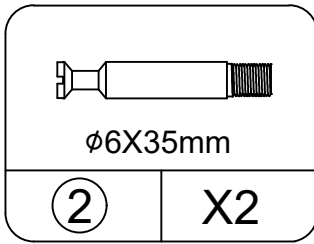
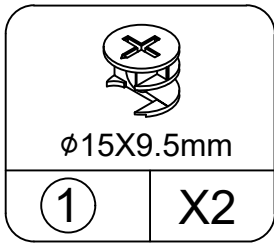
STEP16



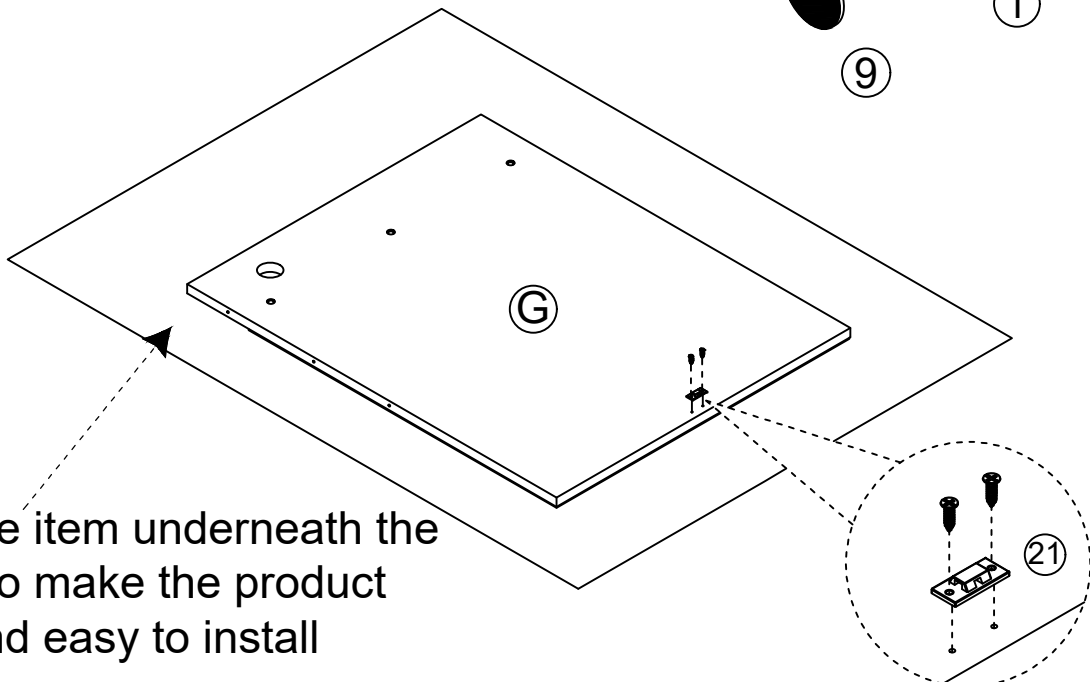
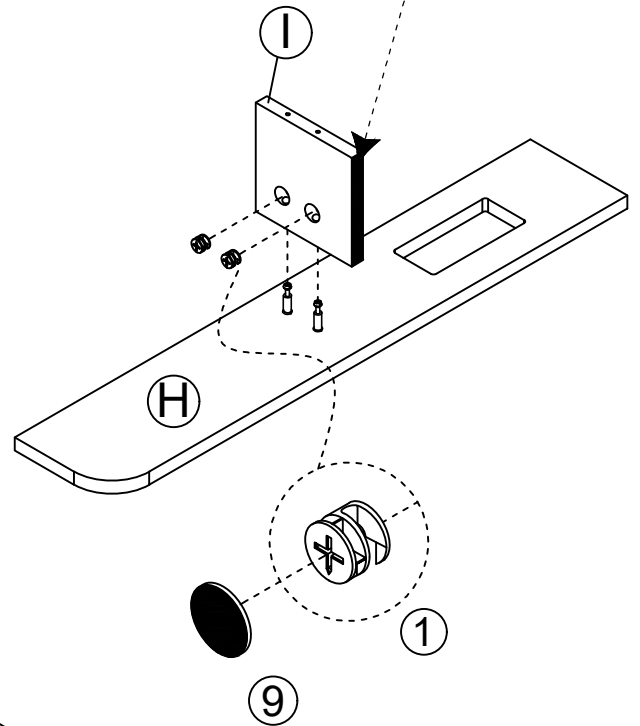
STEP17



STEP18

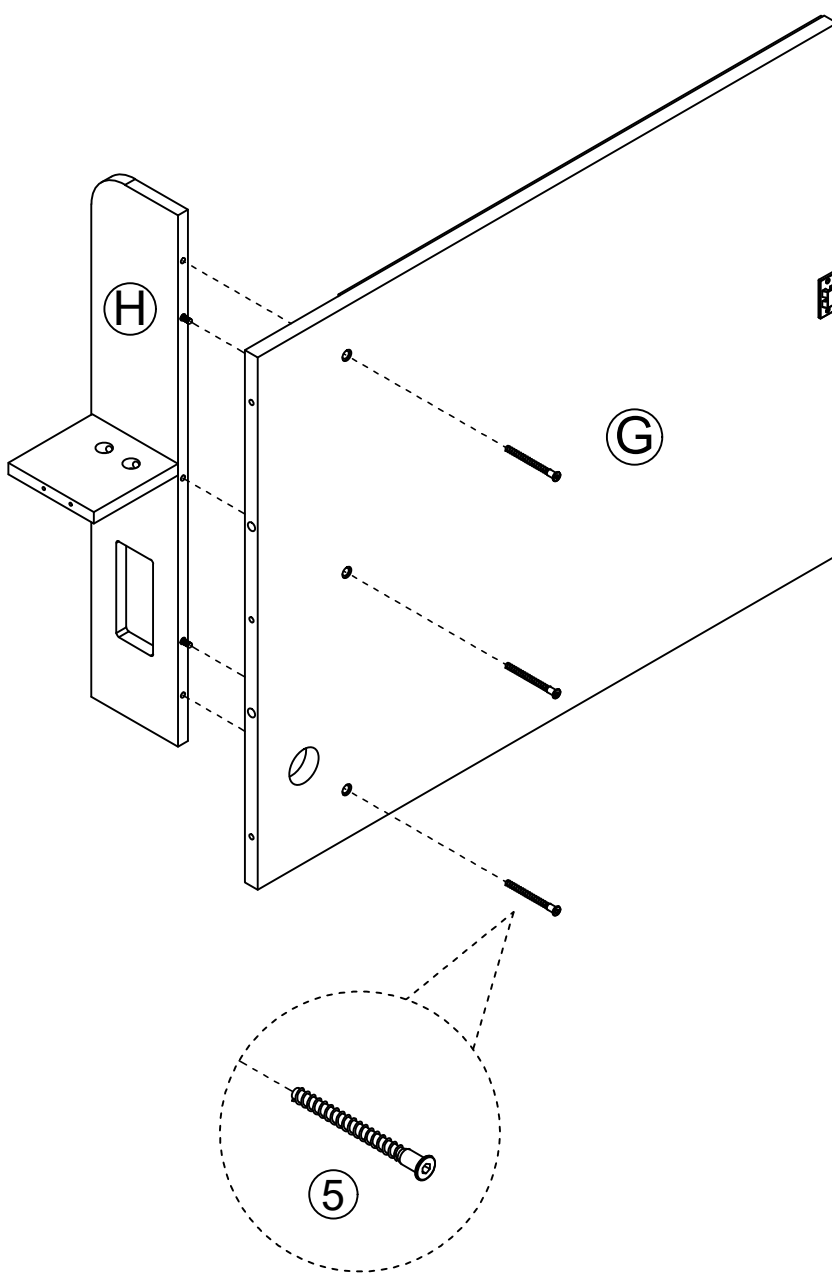
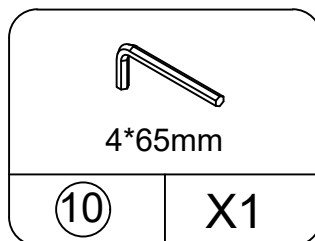
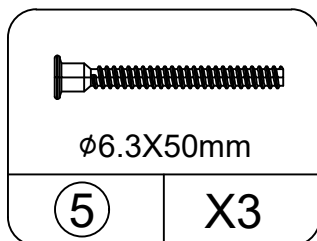
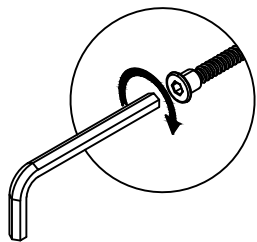


EDGE BANDING

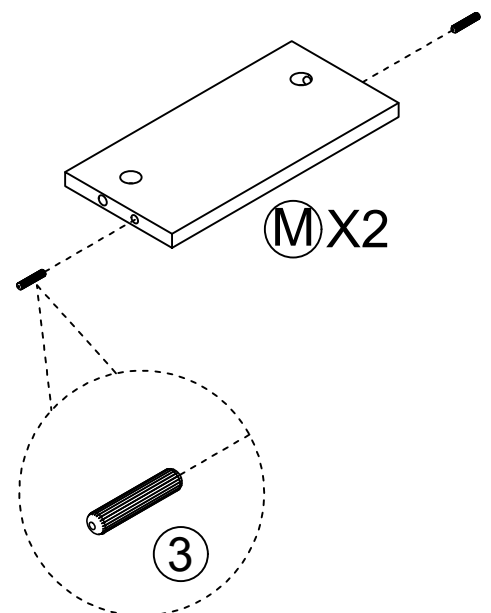
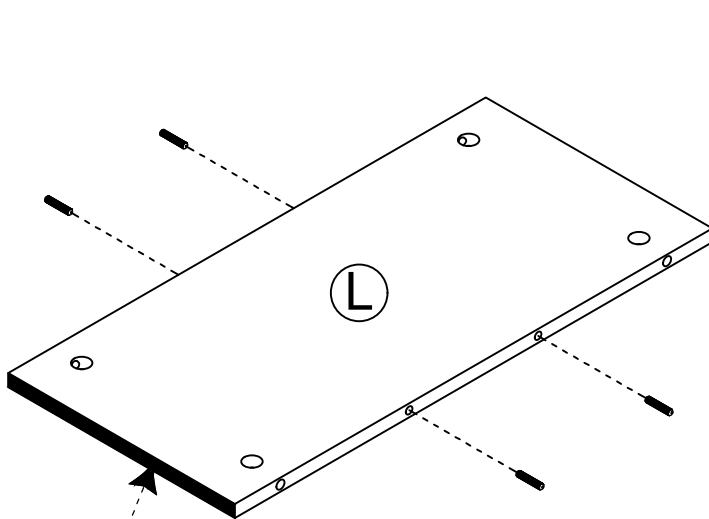
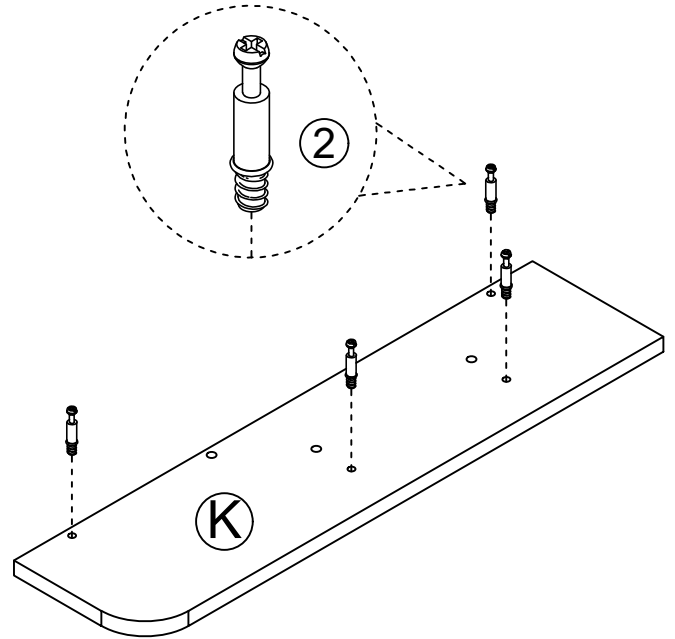
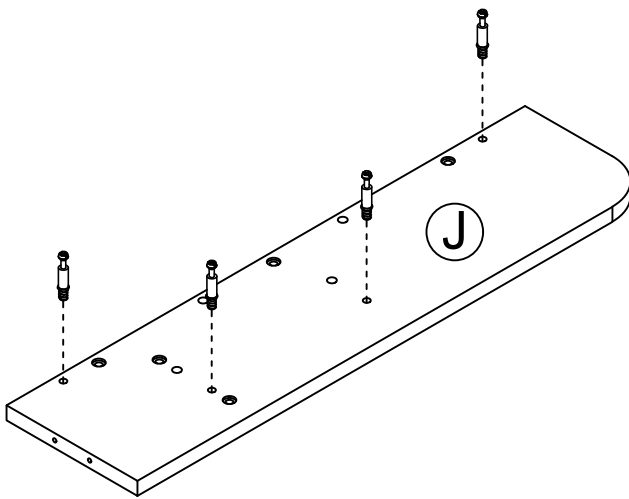
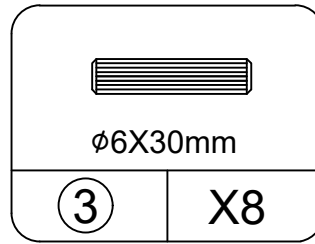
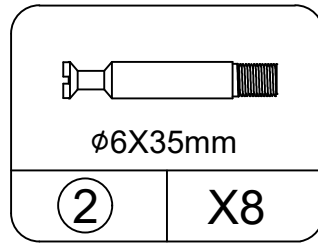
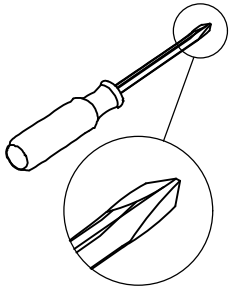


Place one item underneath the product to make the product stable and easy to install

STEP19

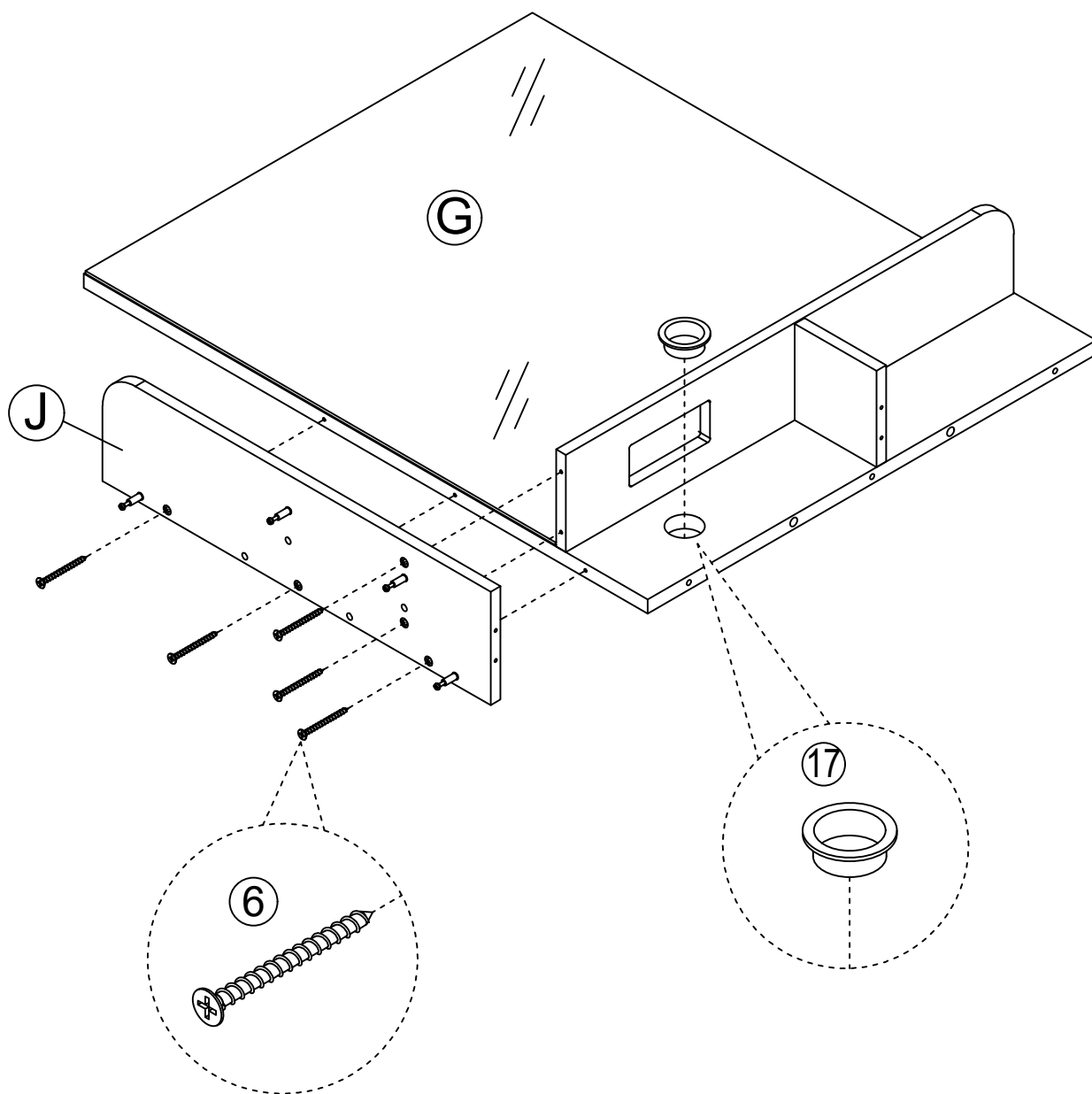
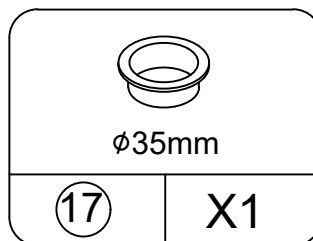
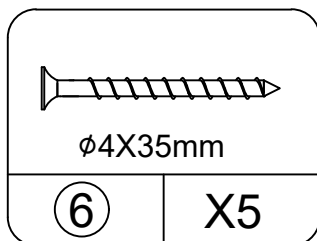
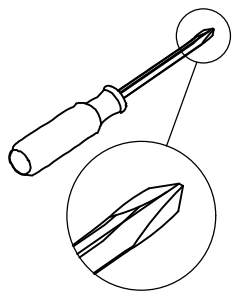


STEP20

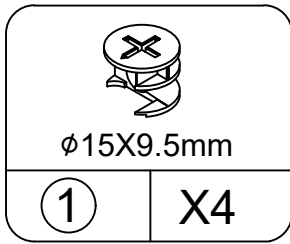
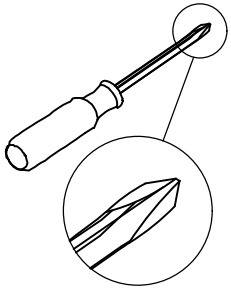


EDGE BANDING

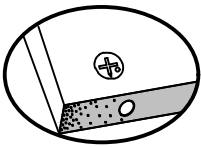
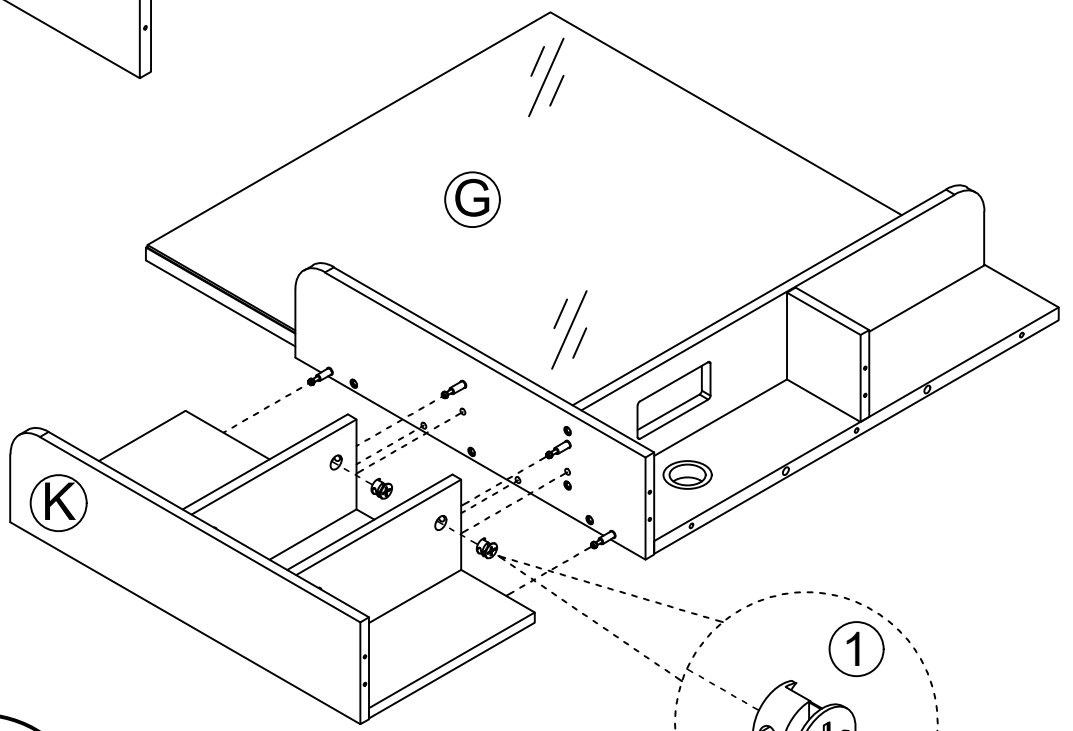
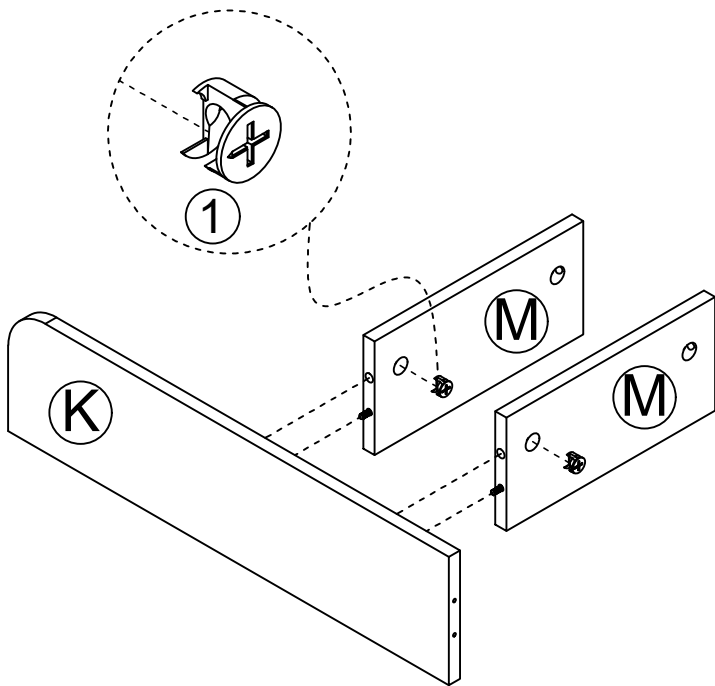
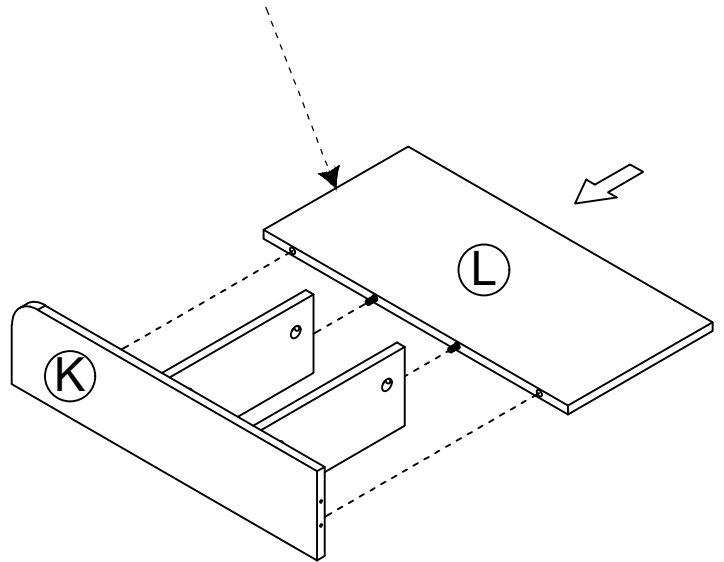
STEP21



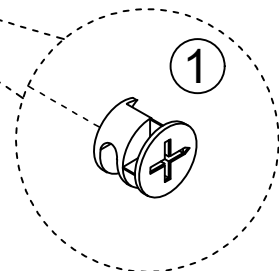
STEP22



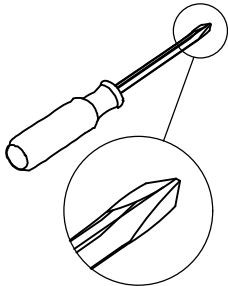
EDGE BANDING





Proper orientation of CAM LOCK

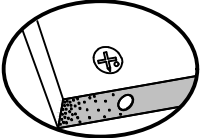
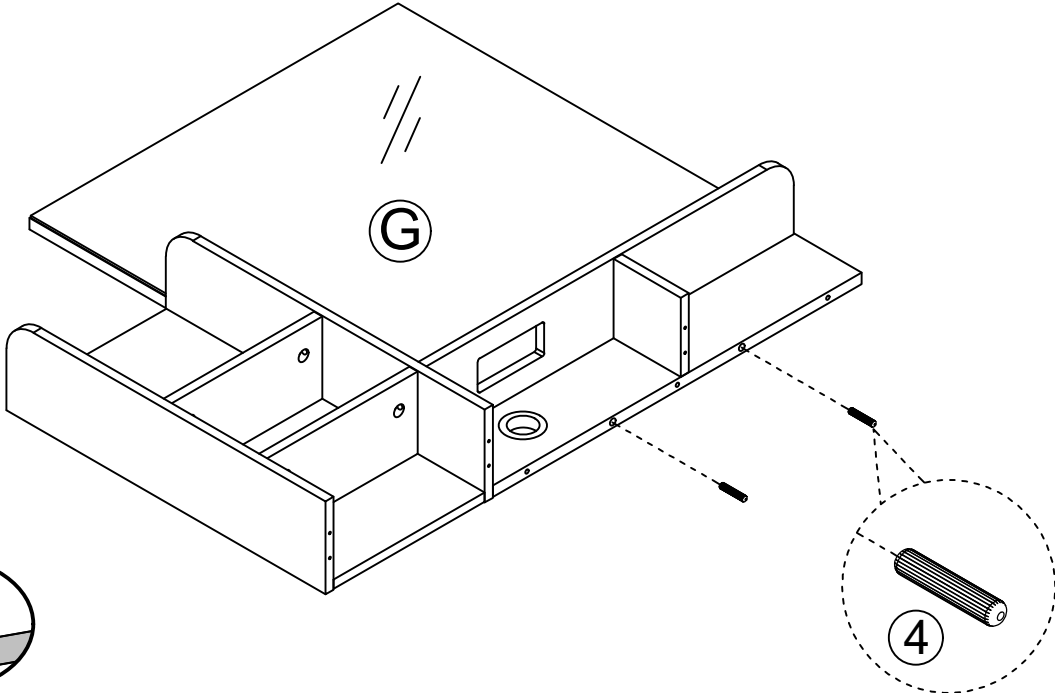
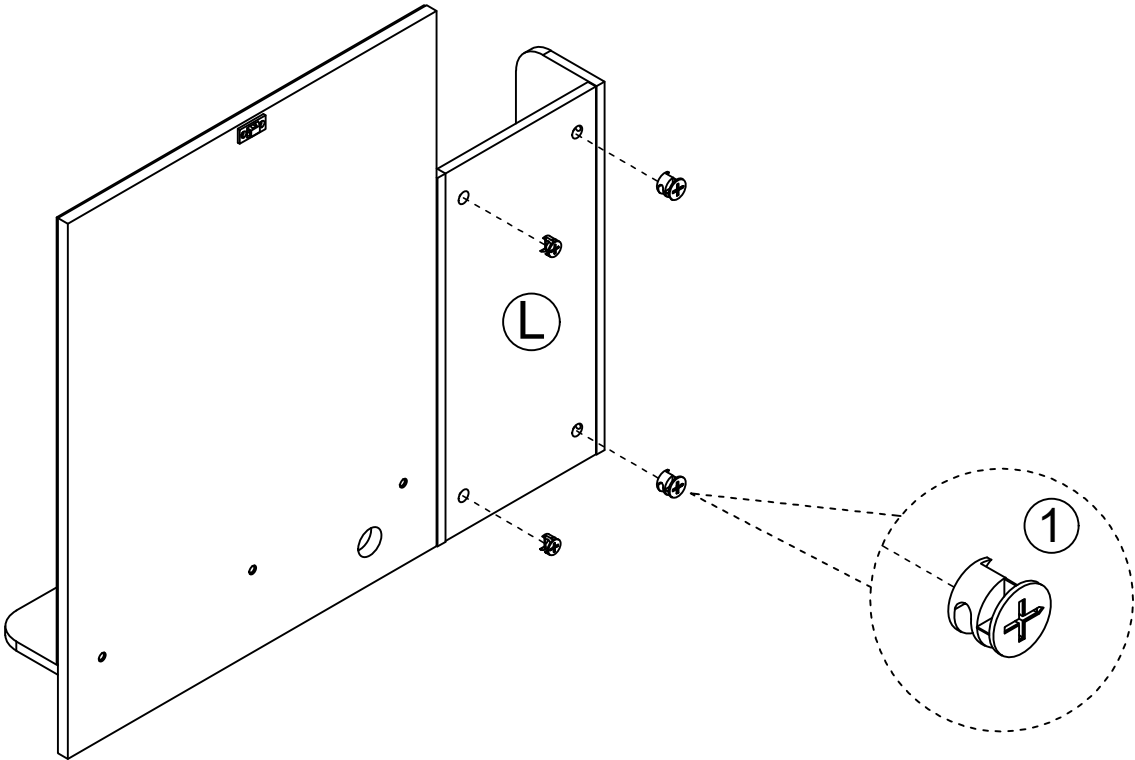


STEP23



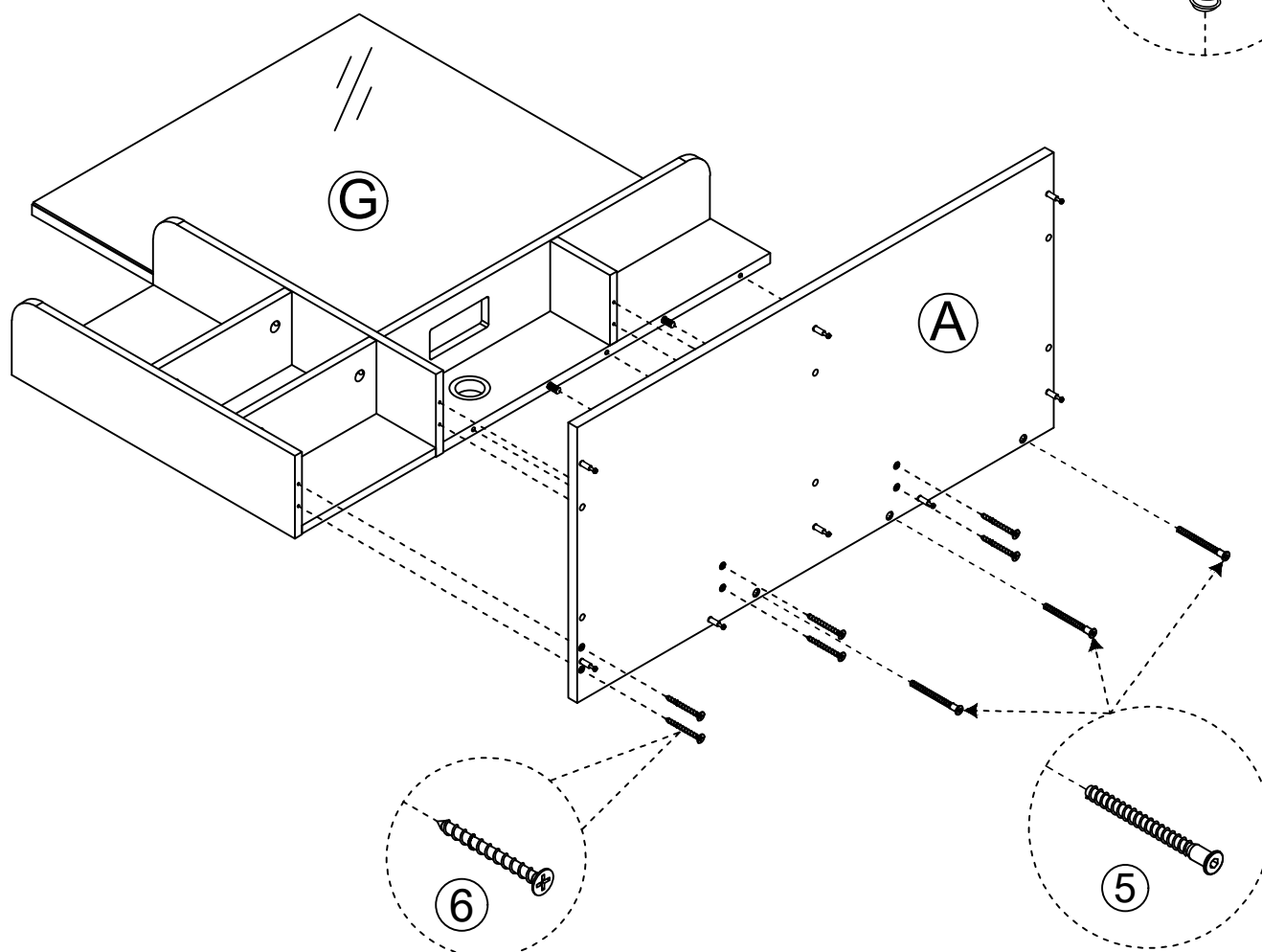
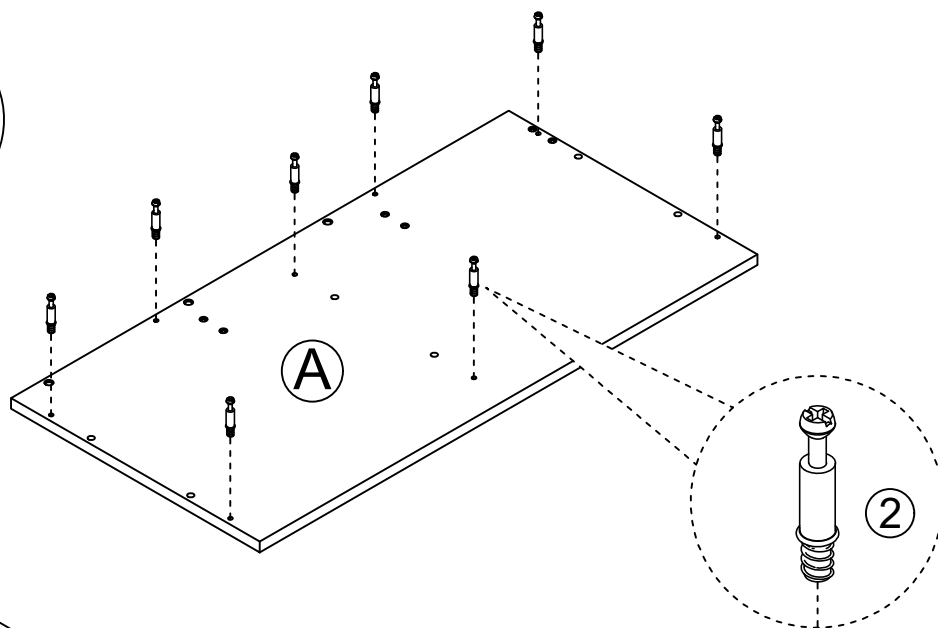
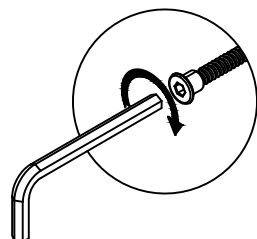
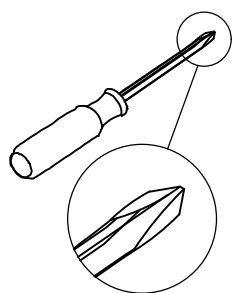
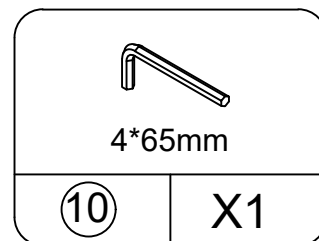
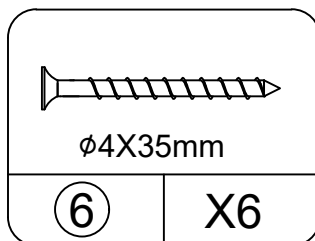
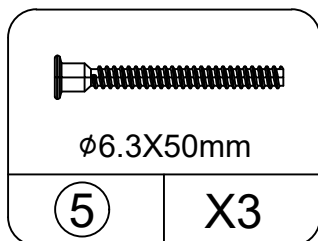
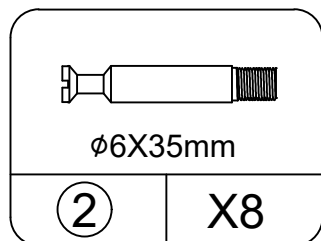
	
Ø15X9.5mm	
1	X4

	
Ø8X30mm	
4	X2

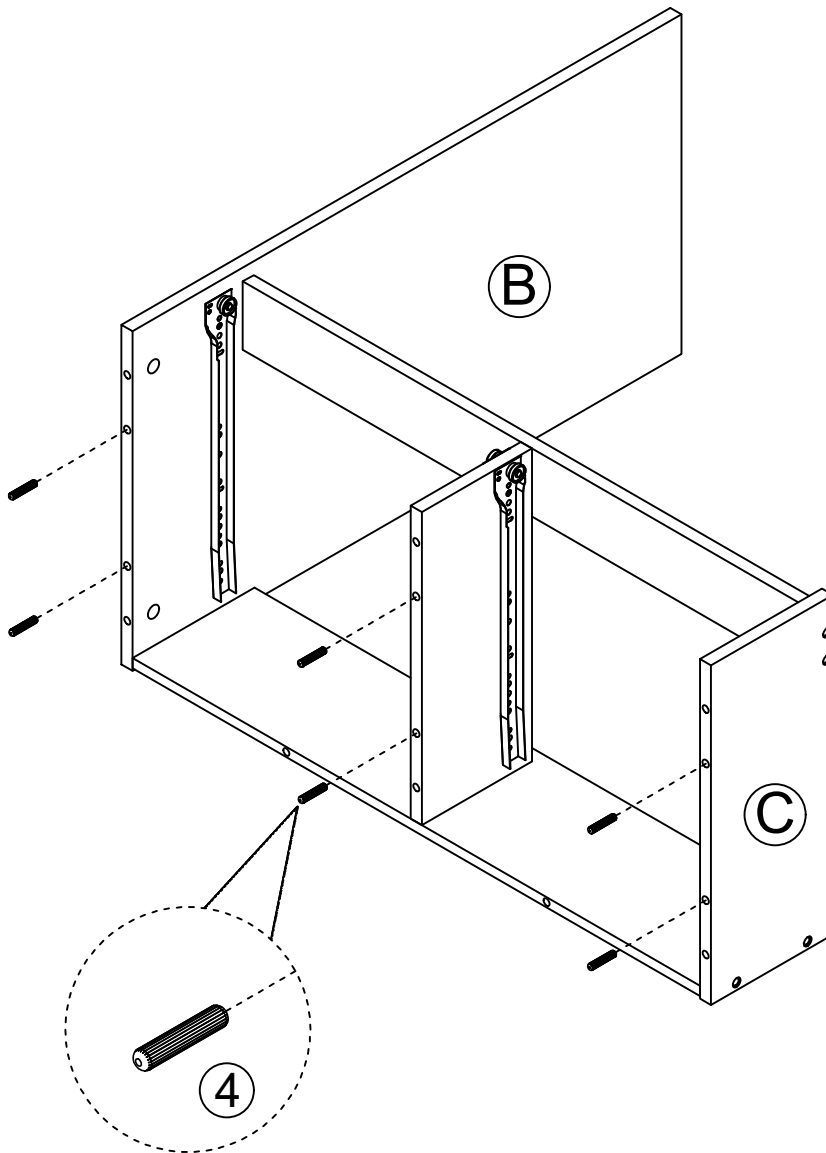
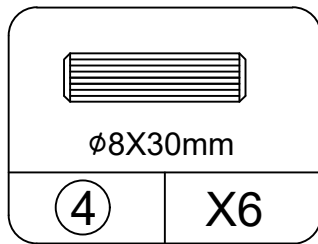
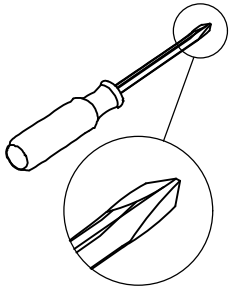


Proper orientation of CAM LOCK

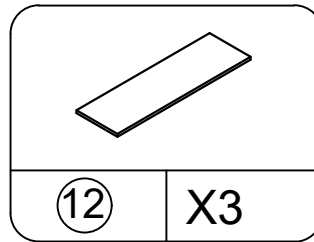
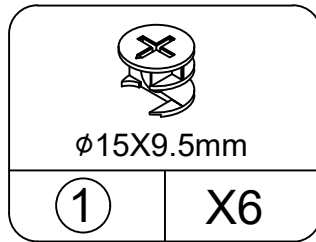
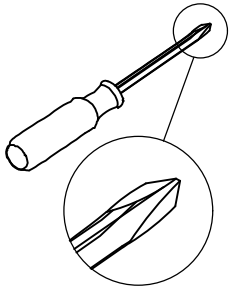
STEP24



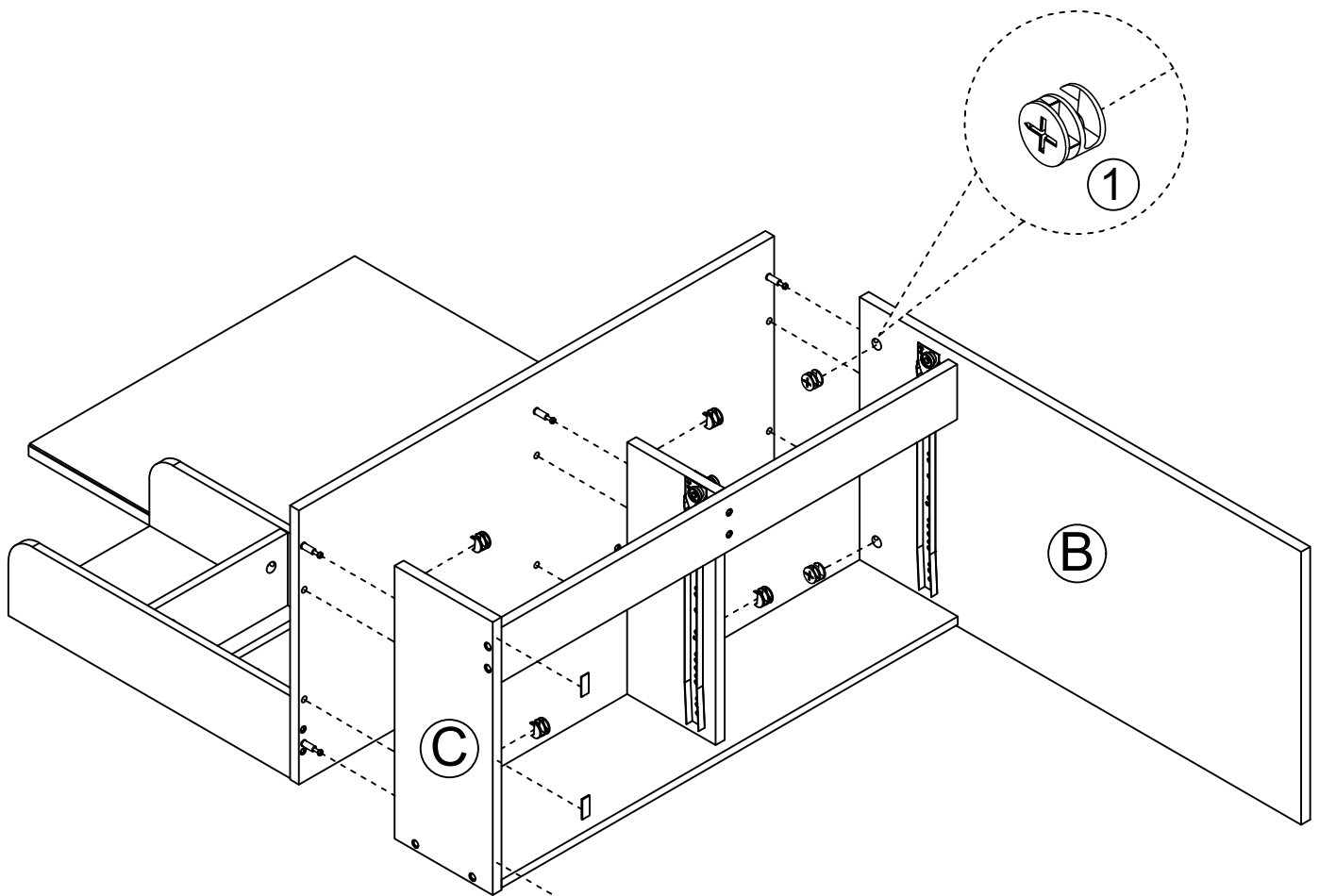
STEP25



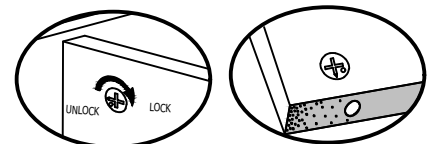
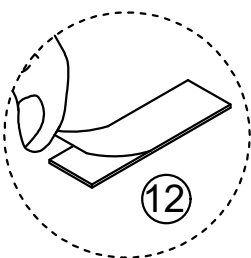
STEP26



THIS STEP REQUIRES 2 PEOPLE



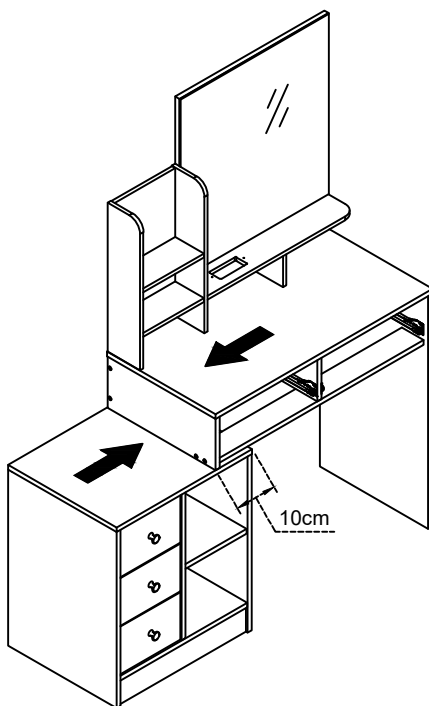
Tear off the paper above the 12 and paste it on the bottom as shown



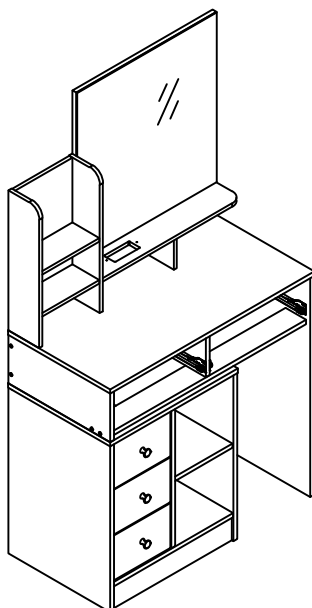
STEP27

THIS STEP REQUIRES 2 PEOPLE

This cabinet can be adjusted into the following two types according to needs





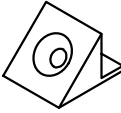
1. Combined into the form of Figure 1, it is recommended that the lap position is greater than 10cm.





2. Combined into the form of Figure 2, the small cabinet is completely lapped under the large cabinet

STEP28

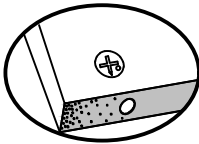
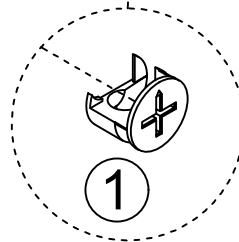
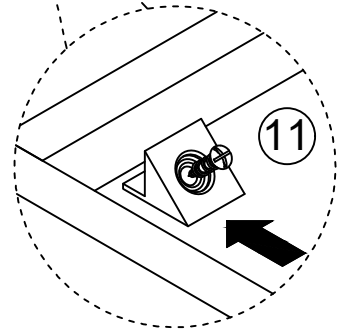
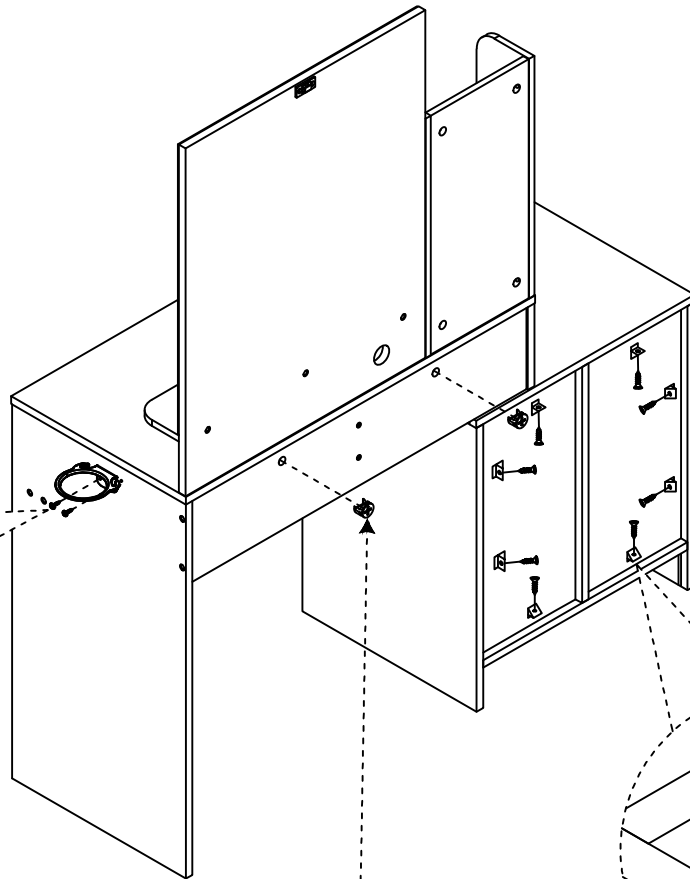
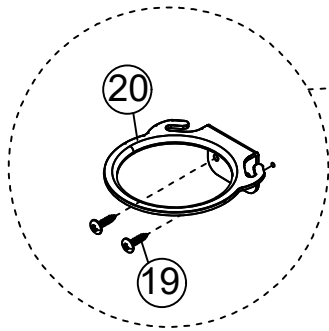
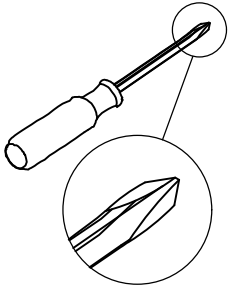
 Ø15X9.5mm	
①	X2

 Ø3*14mm	
⑪	X8set

 Ø4X14mm	
⑲	X2


 109*99*38.5mm	
⑳	X1

THIS STEP REQUIRES 2 PEOPLE



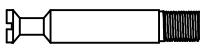
Proper orientation of CAM LOCK

STEP29



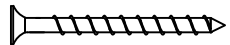
⊗
⌀15X9.5mm

①	X8
---	----




⌀6X35mm

②	X8
---	----



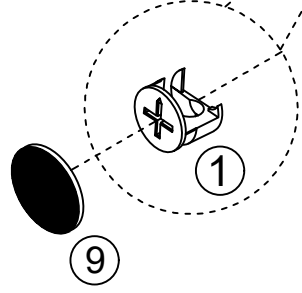
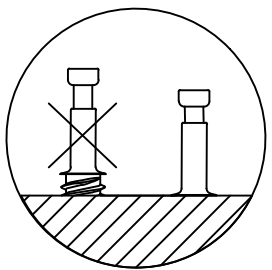
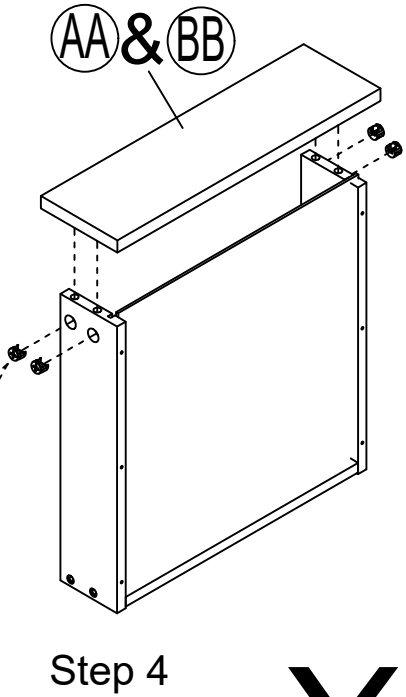
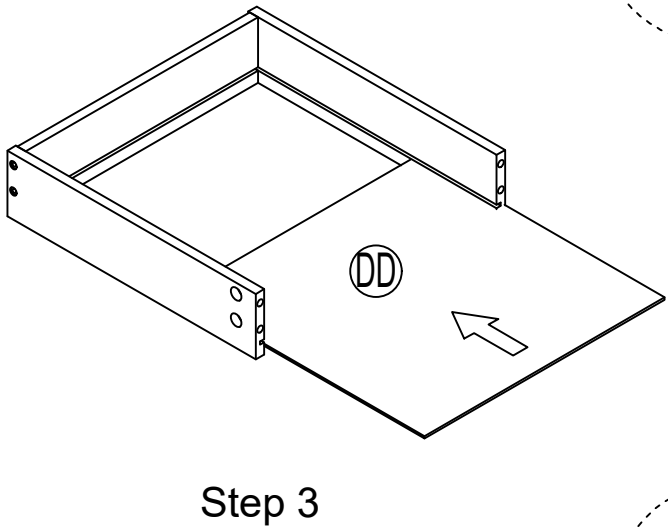
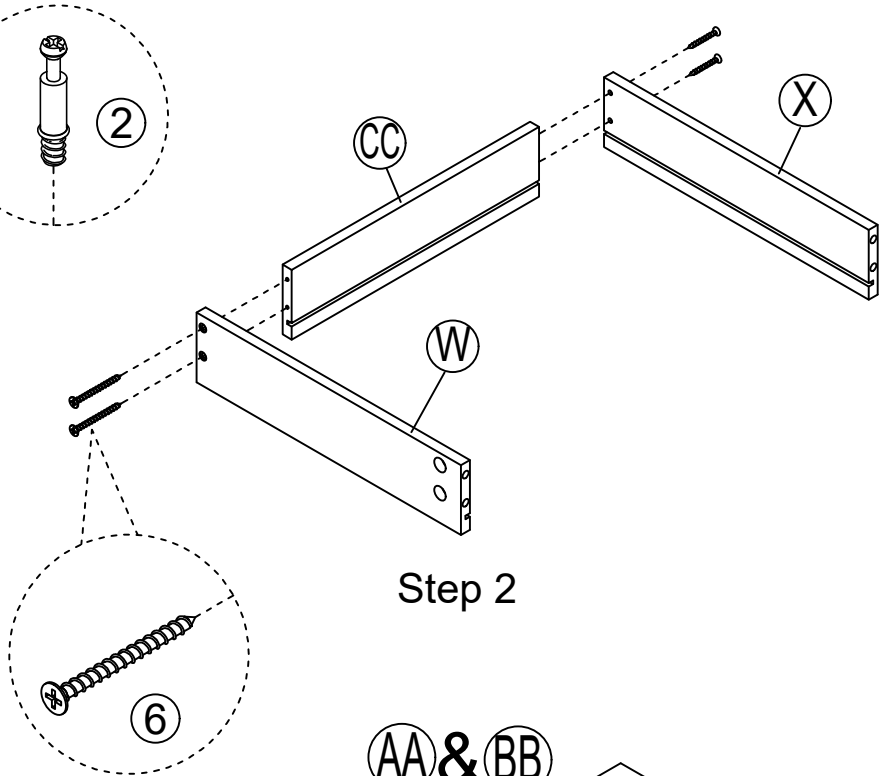
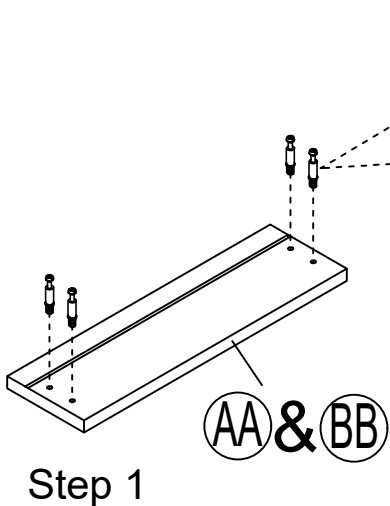
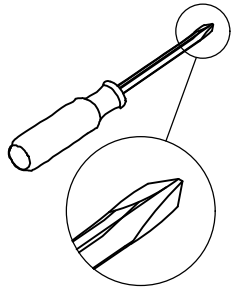
⌀4X35mm

⑥	X8
---	----



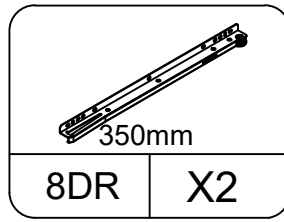
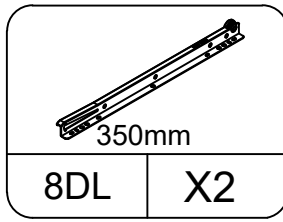
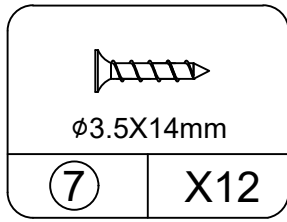
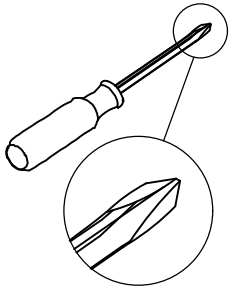
⌀21mm

⑨	X8
---	----

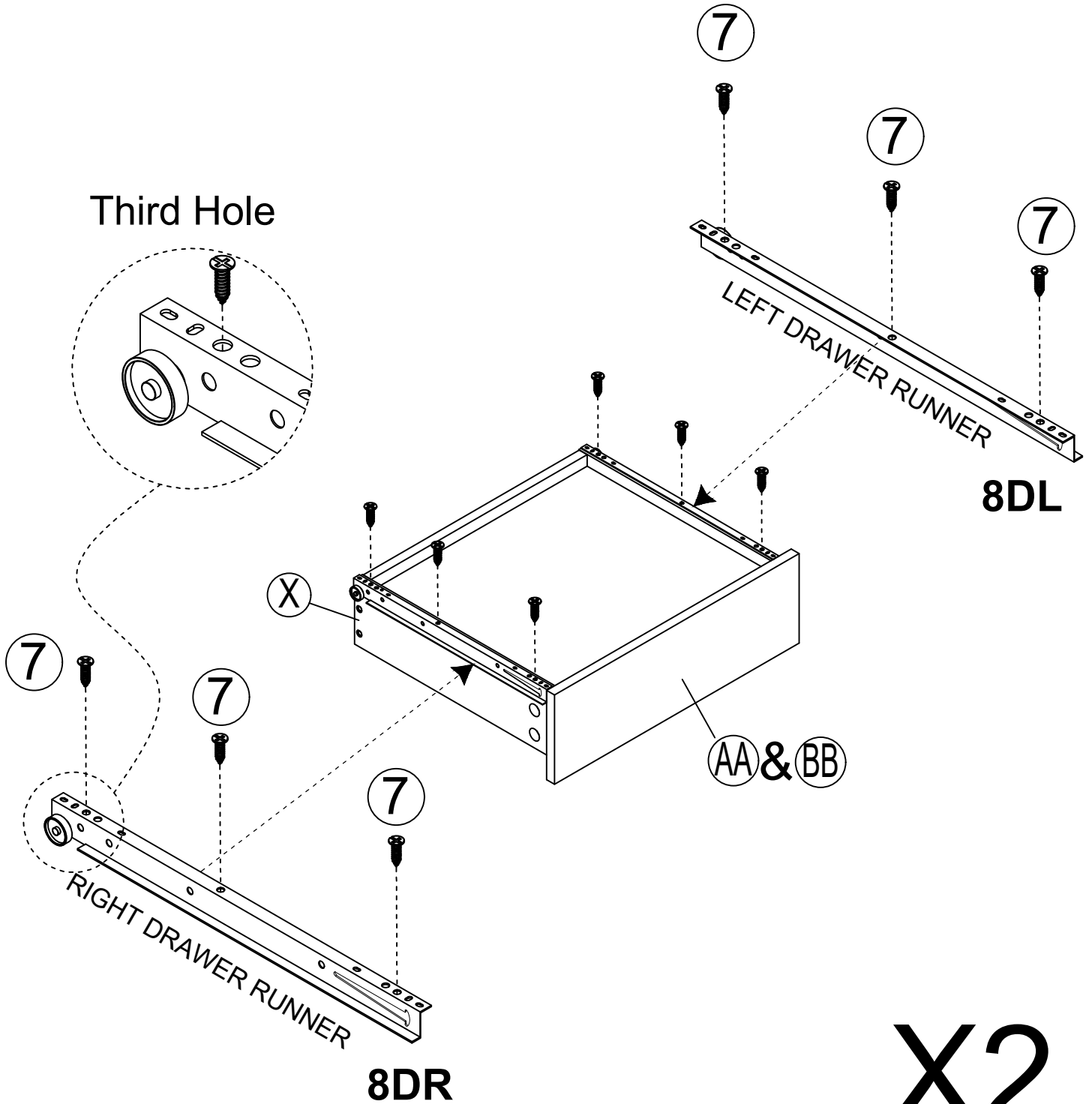
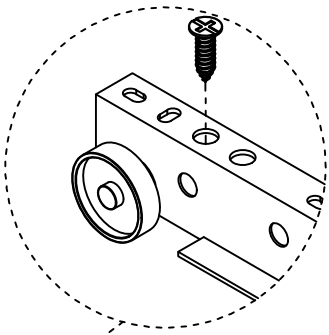


X2

STEP30

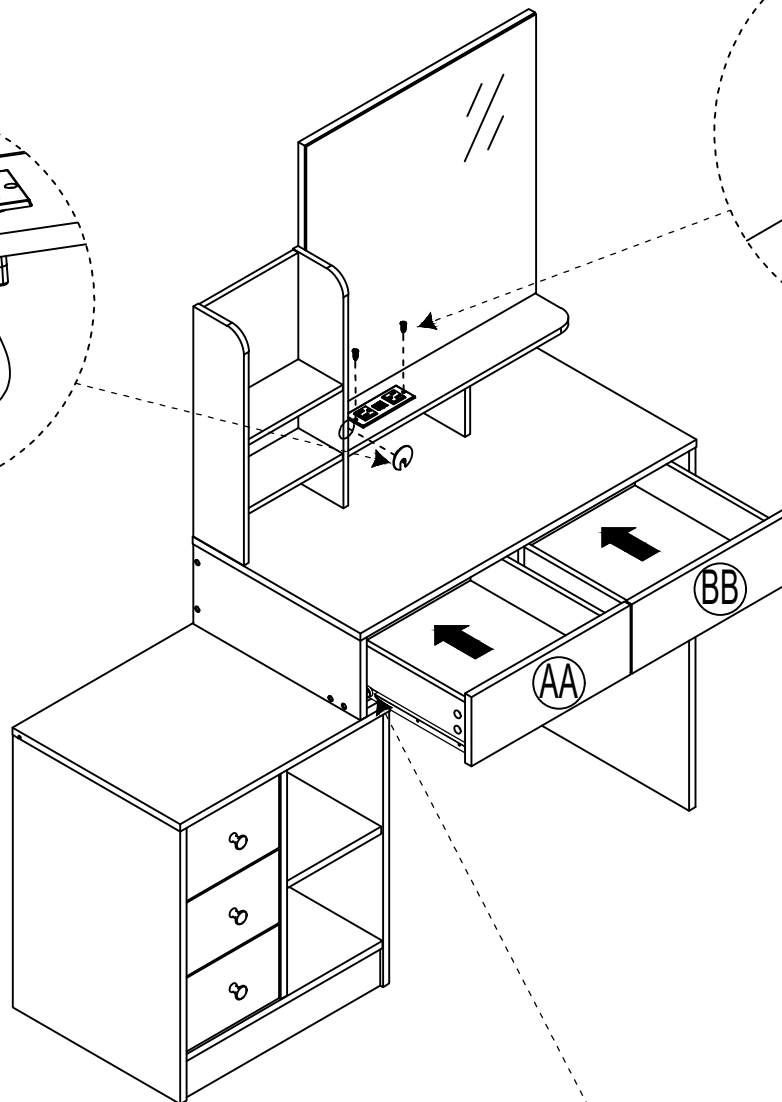
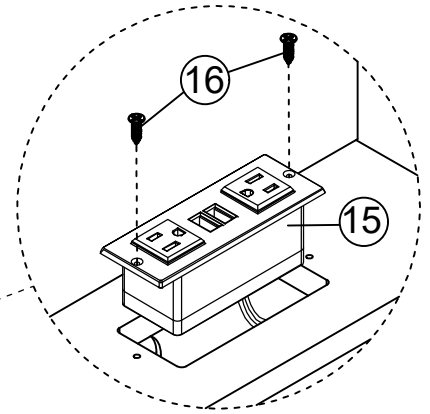
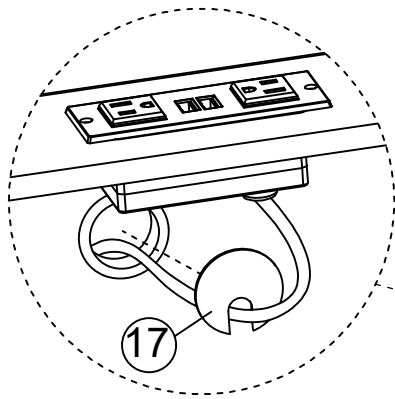
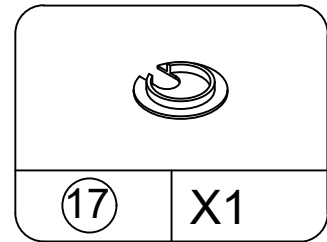
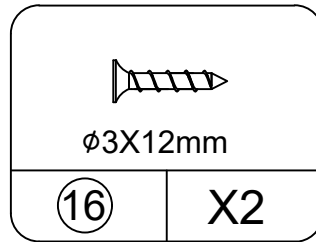
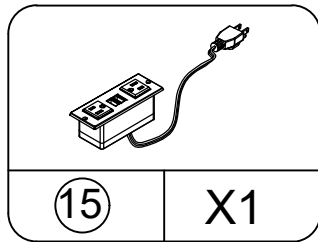
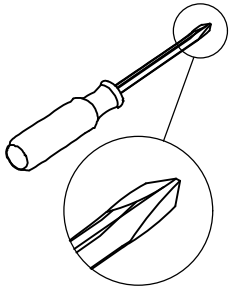


Third Hole

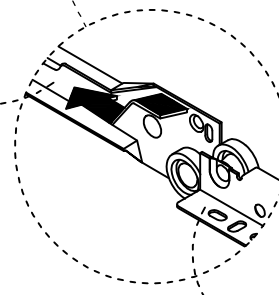


X2

STEP31

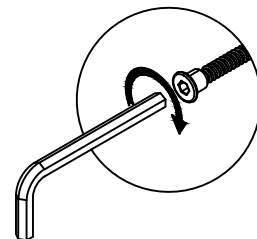
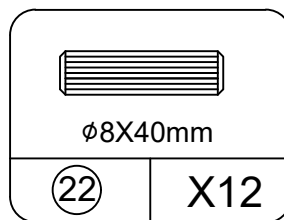
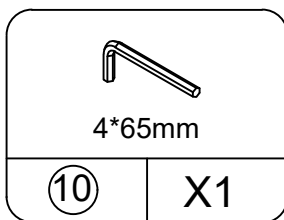
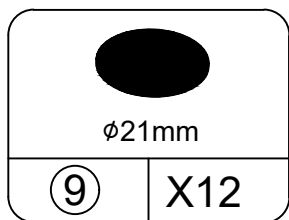
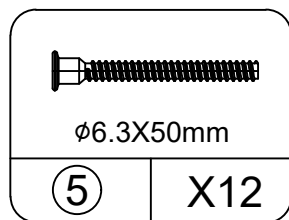


Cabinet Slide

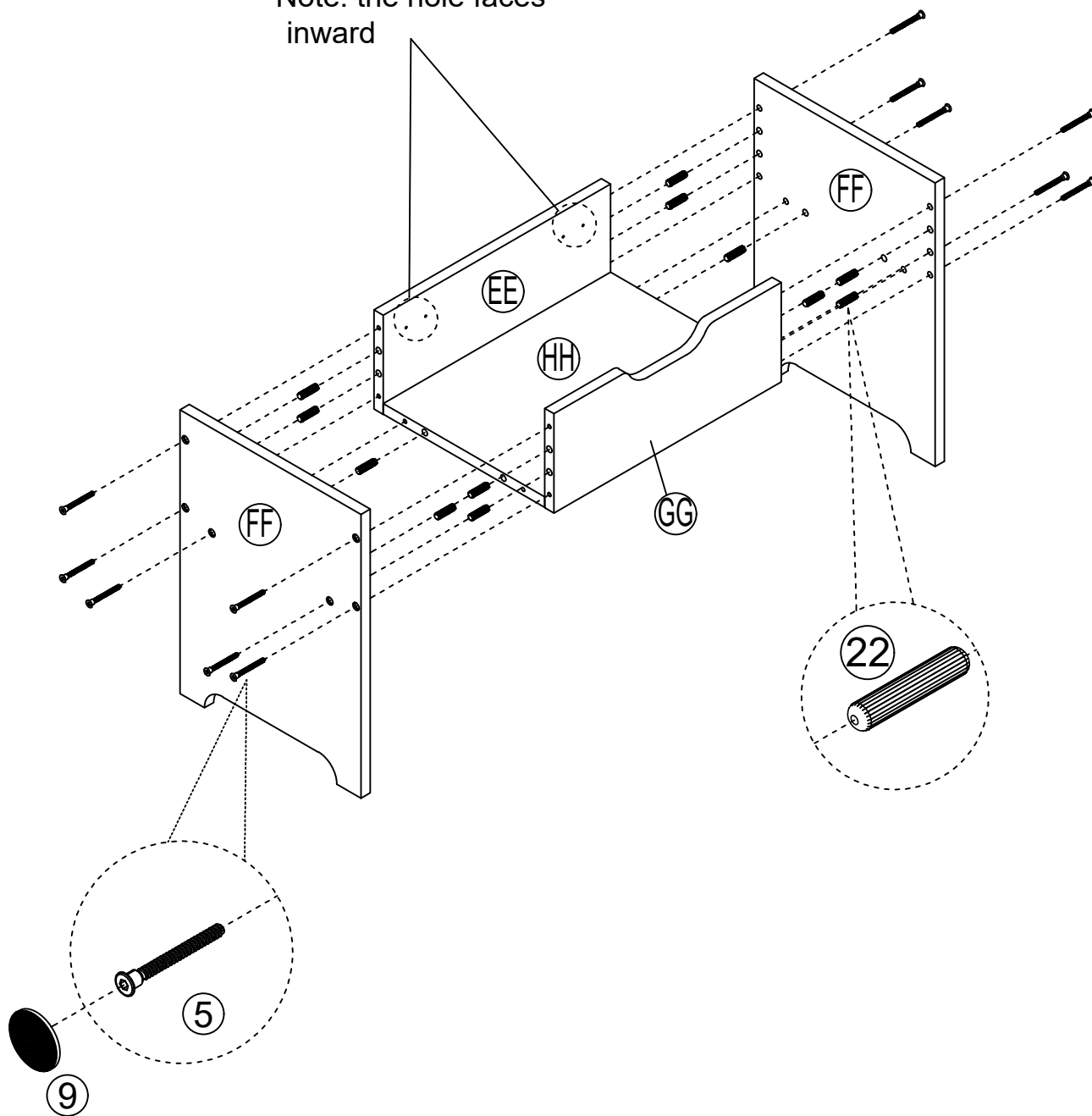


Drawer Slide

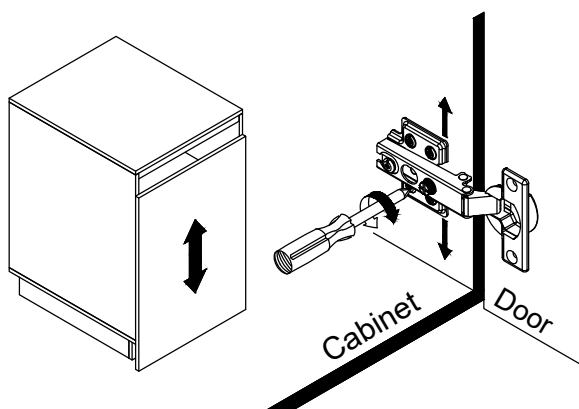
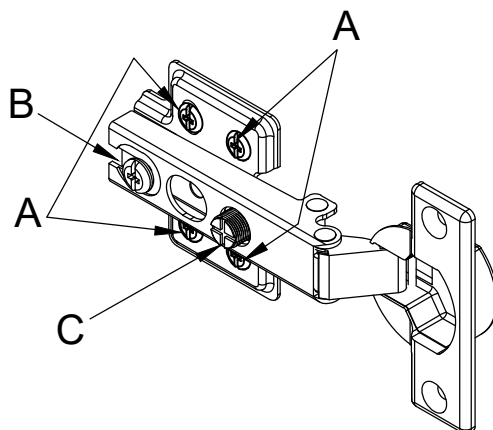
STEP32



Note: the hole faces inward

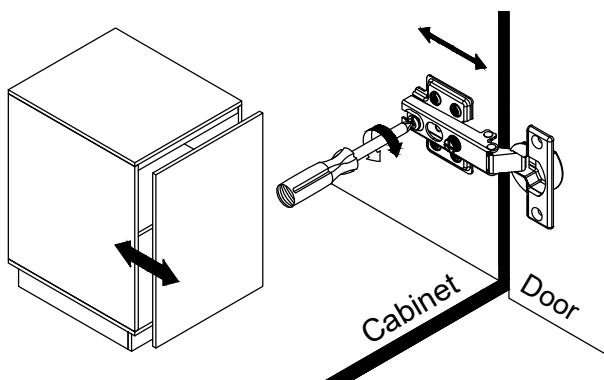


STEP33



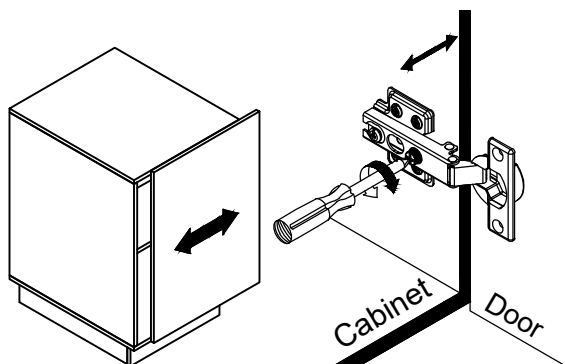
To adjust the vertical height.

Loosen the four screws "A" on both hinges. Two of them are usually in slotted holes which allows you to adjust up or down by a few mm. Then tighten back up.



To adjust depth.

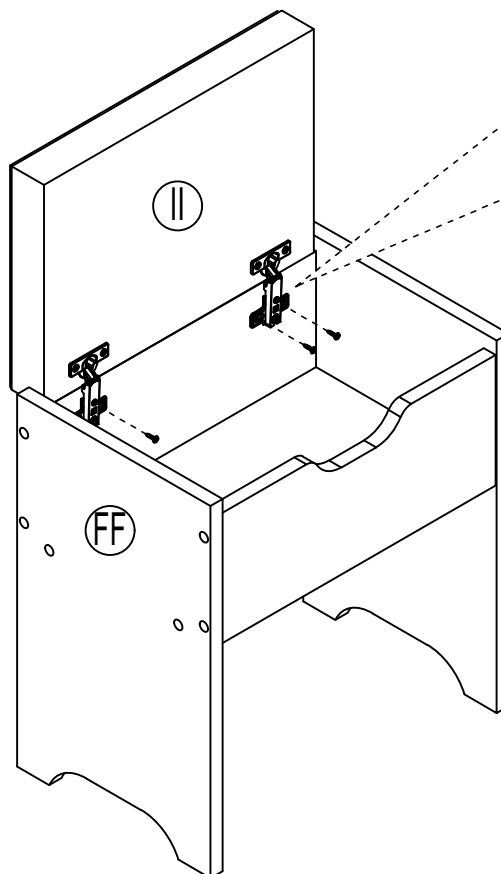
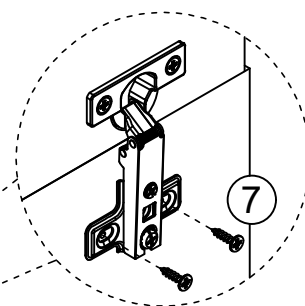
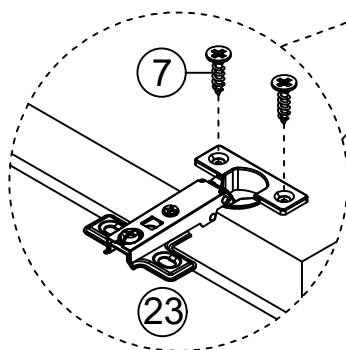
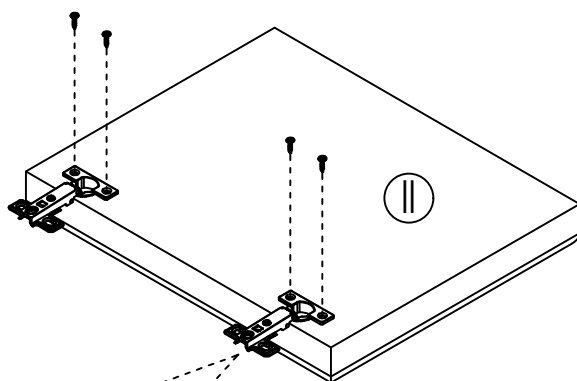
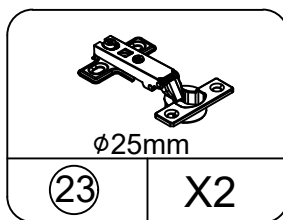
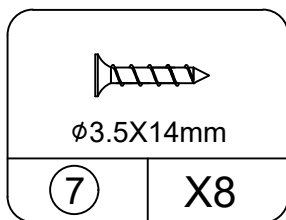
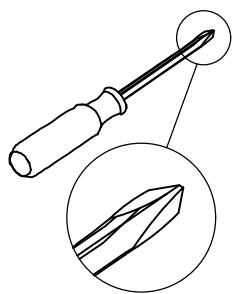
Loosen screw "B" and adjust door, if the door can not be adjusted, please loosen screw "C", then try again. Tighten screw "B" and "C".



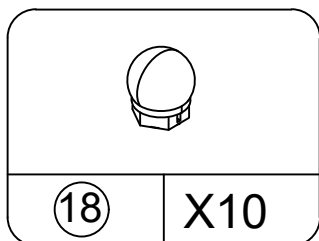
To adjust side ways.

Turning the screw "C" on BOTH hinges on each door.

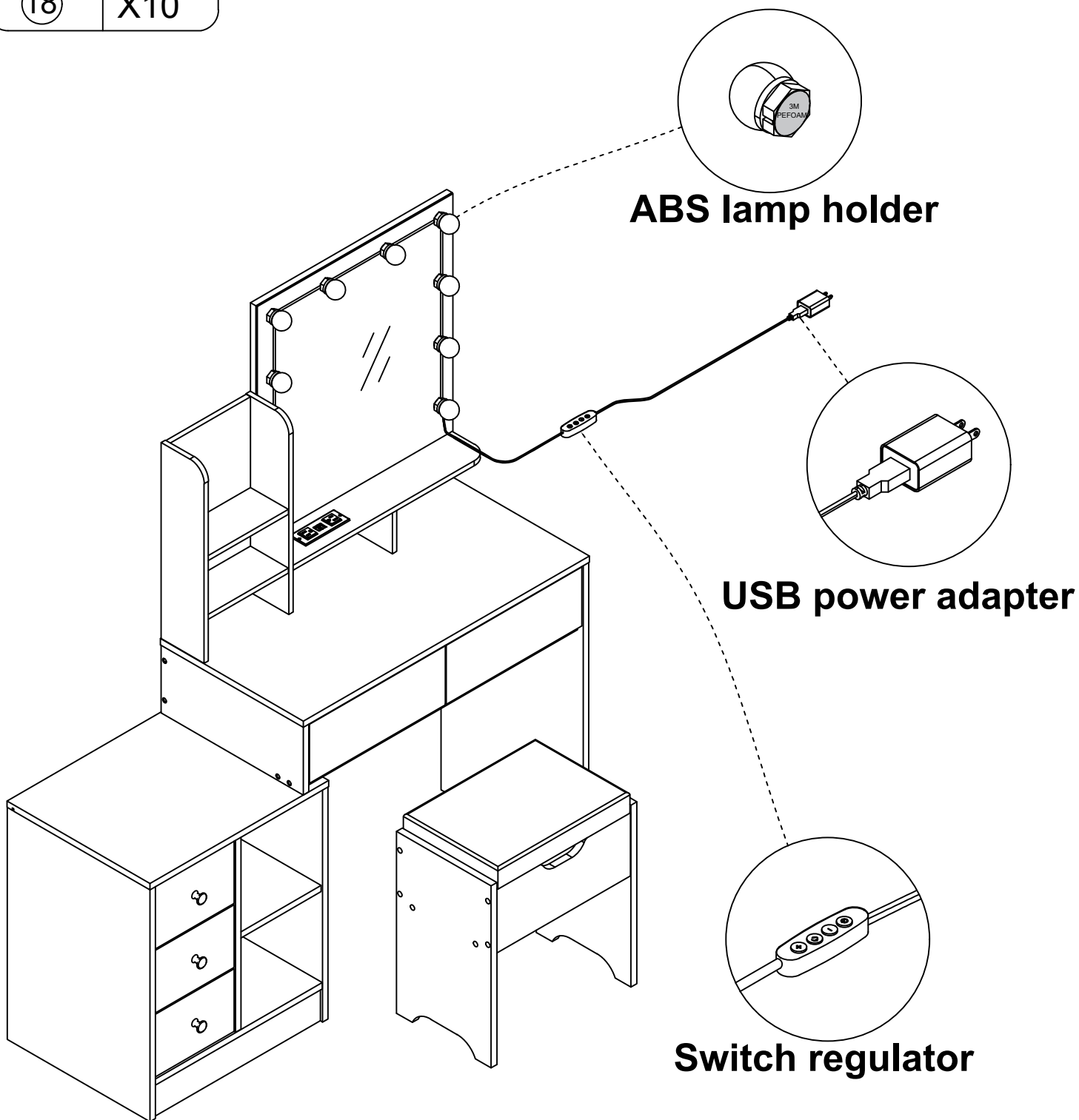
STEP34



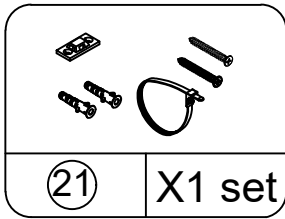
STEP35



**For specific installation and debugging,
please read the last two pages**

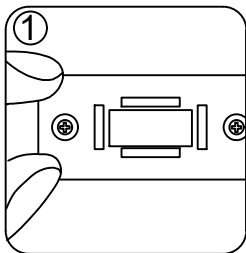


STEP36

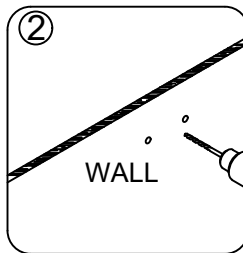


NOTE:The tipping restraint hardware included is for wooden stud wall construction. It must be attached to a wall stud. Depending upon your wall construction different anchor hardware maybe required. Please contact your local hardware store for assistance. Young children can be seriously injured by tipping furniture. You must install the tipping restraint hardware with the unit to prevent the unit from tipping, causing any accidents or damage. The tipping restraints are intended only as a deterrent and are not a substitute for proper adult supervision. The tipping restraints are not earthquake restraints. If you wish to add the extra security of earthquake restraints, they must be purchased and installed separately.

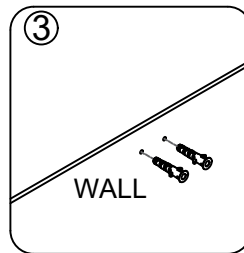
Install the tipping restraint hardware



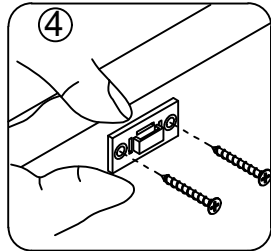
1. make mark on the wall



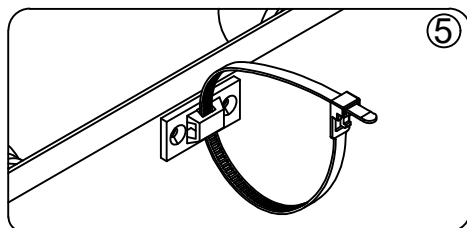
2. drill two Ø6 holes on the wall



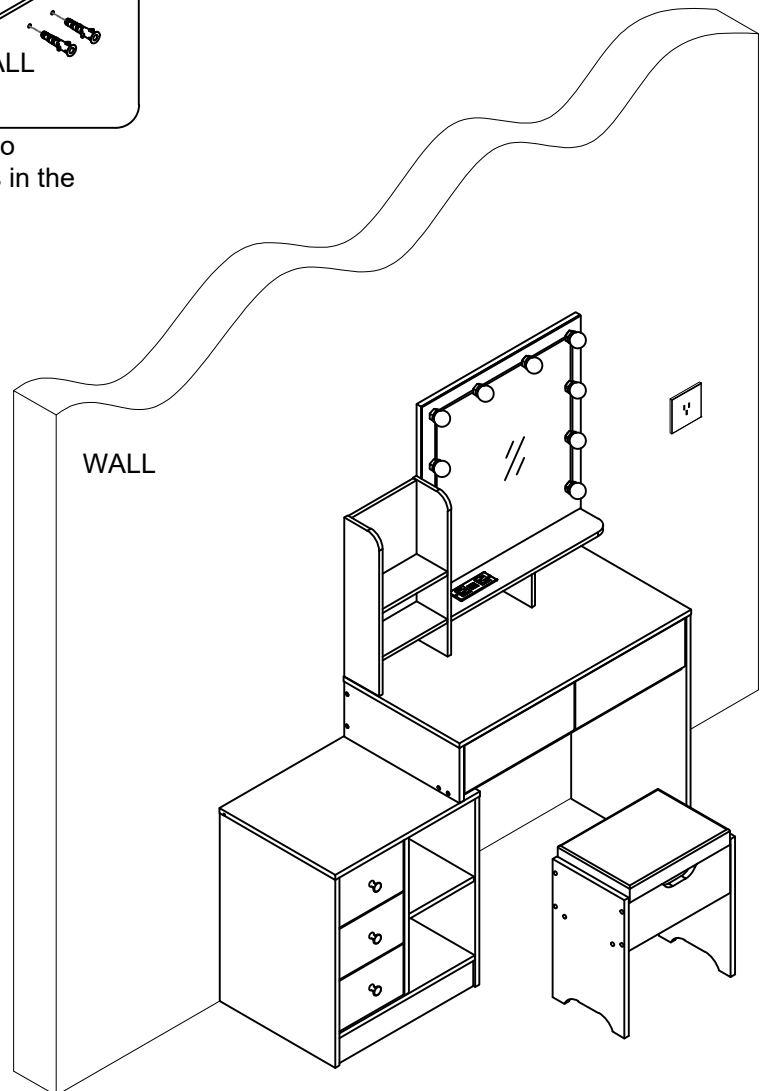
3. put two anchors in the holes



4. fix the device on the wall by the long screws



5. Push the cabinet close to the wall so that the two bases are close to each other, and then put on nylon tie to tighten it.



CONTINUED

Thank you for purchasing our company's DIY makeup mirror fill Light products, this product supports DIY own home mirror, instantly make their own mirror into a modern fashion makeup with LED fill mirror. Even more interesting is that you can adjust the color temperature by yourself!

Product Features:

1. The standard USB power supply, safety voltage.
2. PC soft mask, don't stab the eyes.
3. All transparent lines, beautiful and stylish.
4. Multilevel luminance adjustable, beauty skin and beauty face.
5. The color temperature is adjustable with the buttons.
6. By rotating the bulbs, the excess connecting wire can be hidden in the bottom shell make the installation more simple and beautiful.

Product parameters:

Product Name: Vanity Mirror Lights
Bulb Size: 45 X 45 X 47 mm.
Power Supply: Standard USB 5V 2A or above.
LED colour temperature: 3000K and 6500K.
Power: a single lamp maximum power is 0.8W.
Material: ABS lamp-holder and PC lampshade.

Wisdom in design:

Rotate the bulbs clockwise or anticlockwise, the ball bubble spacing becomes shorter, the connection line shrinks and hides in the ball bubble bottom cover. Simple and beautiful installation, use more comfortable.

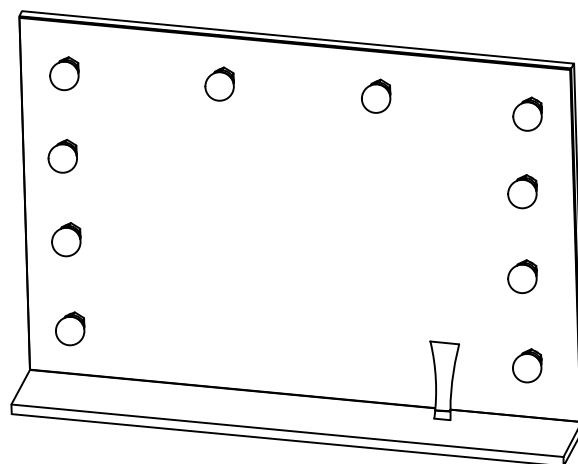
Rest assured dressing:

USB 5V low voltage power supply, safe! Multilevel luminance adjustable, suitable for different dressing needs.
Three kinds of color temperature can be adjusted: Warm White, Natural White and Pure White.

Vanity Mirror Lights

The color temperature is adjustable

Instructions



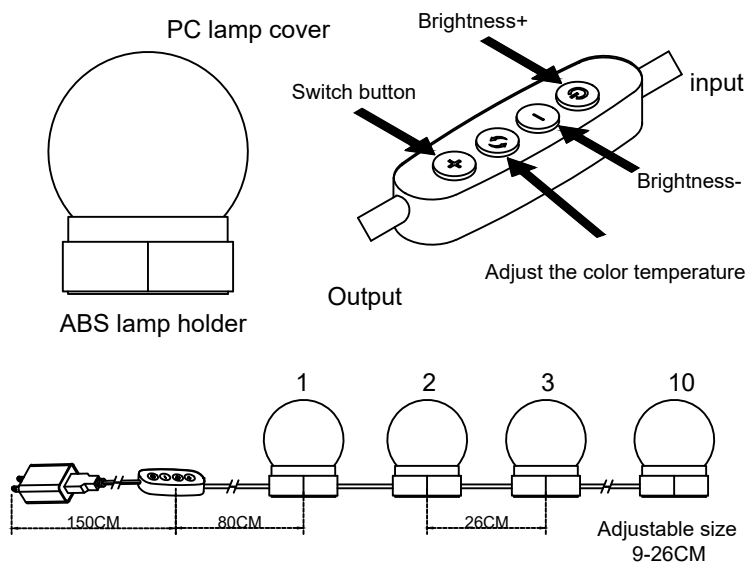
See Yourself Better!!!

Wisdom in design, Enjoy your life!

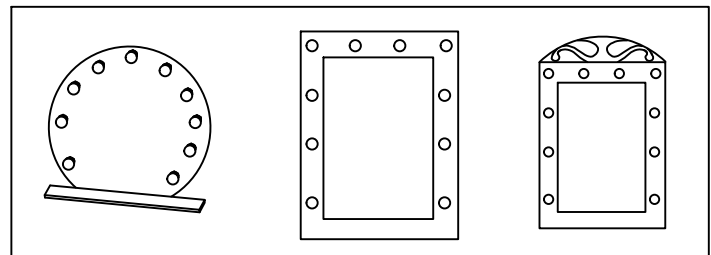
CONTINUED

Use the installation details see inside pages.

Functional Description:



Install reference diagram:



	<p>Special feature: Rotate the bulbs clockwise or anticlockwise, the ball bubble spacing becomes shorter, the connection line shrinks and hides in the ball bubble bottom cover. The USB port on the side of the control switch can charge the cell phone or other electrical appliances.</p>
--	--

Application notes:

- 1.It is recommended to choose 2A or above USB power adapter, mobile phone charger and other standard USB mobile power can be use.
- 2.The product uses double-side adhesive paste installation of the bonding surface must be clean, dry, smooth, can not have rust and oil.
- 3.The wire can be adjustable through the winding between the base slot, and the bulb spacing can be adjusted between 9-26CM.

Reminded: When the bulb is pasted, please press the product for about 30 seconds, it tacks 24 hours to achieve the best adhesive strength.

See Yourself Better!!!

Installation steps:

- 1.Cosmetic mirror or be installed surface treatment: should be sticky surface should be try, clean,and no rust,oxidation,grease, dust and other pollutants.
- 2.According to the design of the number of mirrors and bulbs, each bulb installation location,note the lamp spacing of up to 26CM the minimum apacing of about 9 CM.
- 3.Remove the product to determine the power and control switch to place the seat is appropriate to determine the first light paste location(with the control switch to connect the first line).
- 4.The bottom of the product is double-side adhesive tape tear off the film,and then affixed to the first lamp position,forced down, so that double-side adhesive is pasted better.Make the tape and the bonding surface get full contact.
- 5.After the installation,the rotating bulbs will shrink the redundant connecting wires and hide them in the bottom shell to ensure the simple and beautiful installation and achieve the best use effect.
- 6.When you use the lights,you can adjust the color temperature and the brightness with the function buttons.And choose your favorite color!