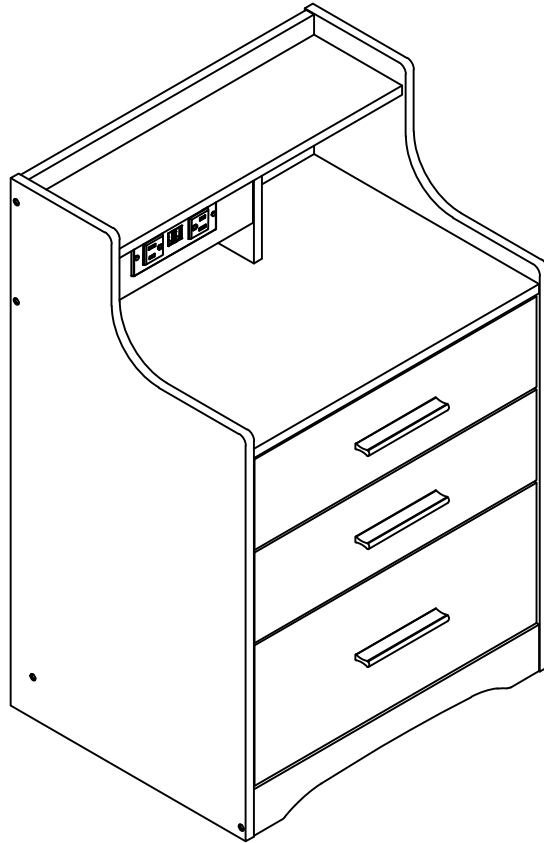




J3L101BS01

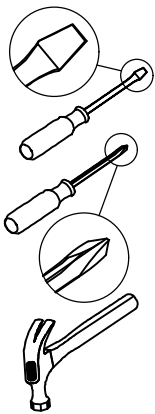


As this item contains many parts, please read the installation instruction carefully before installation . Please use tools properly and carefully. If you have any questions about the product and installation, please contact us.

service@vabchesofficial.com

Our professional after-sales team will serve you online all day.

Before You Start

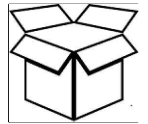


- ✓ Read through each step carefully and follow the proper order
- ✓ Separate and count all your parts and hardware
- ✓ Give yourself enough room for the assembly process
- ✓ Have the following tools: Flat Head Screwdriver, #2 Phillips Head Screwdriver and Hammer
- ✓ Caution: If using a power drill or power screwdriver for screwing, please be aware of to slow down and stop when screw is tight. Failure to do so may result in stripping the screw. (Assembly speed can be increased by using electric screwdriver)

Helpful Hints

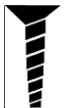
PEOPLE NEEDED FOR ASSEMBLY: 1-2

- Open your item in the area you plan to keep it to avoid excessive heavy lifting.

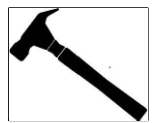


- Identify, sort and count the parts before attempting assembly.

- Compression dowels are lightly tapped in with a hammer.



- Slides are labeled with an **R** (right) and **L** (left) for proper placement.



- Make sure to always face the point on the top of the Cam Lock towards the outer edge.

- If there is a back panel in the package, please install it to make sure your unit is complete and sturdy.



- Please fix all the screws provided for the back panel which can enhance product stability. If it is difficult to fix it when tightening, it can be fixed with the help of a hammer and then tightened.



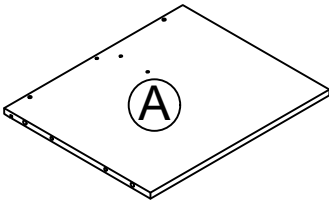
- Do NOT use harsh chemicals or abrasive cleaners on this item.



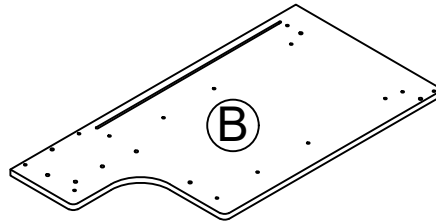
- Never push, pull, or drag your furniture.

Board Identification

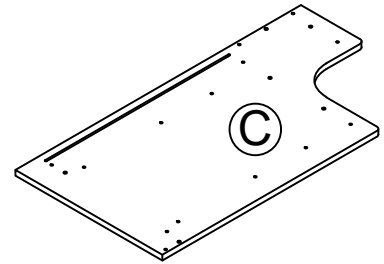
Not actual size



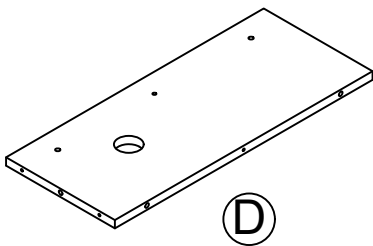
TOP
Qty:1



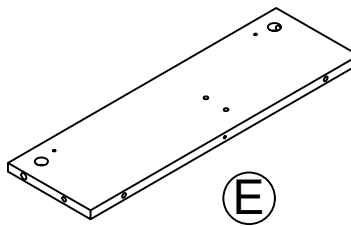
LEFT SIDE PANEL
Qty:1



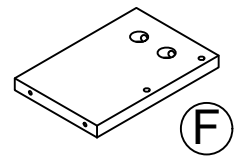
RIGHT SIDE PANEL
Qty:1



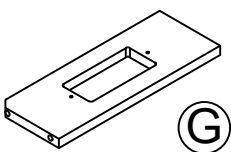
BACK PANEL
Qty:1



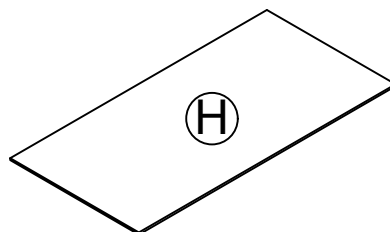
FIXED SHELF
Qty:1



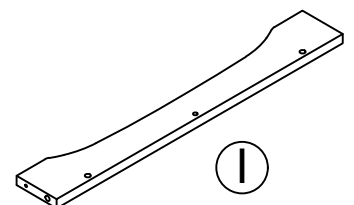
HUTCH SIDE PANEL
Qty:1



FRONT PANEL
Qty:1



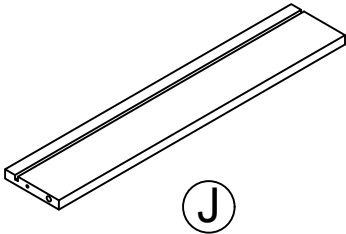
BACK PANEL
Qty:2



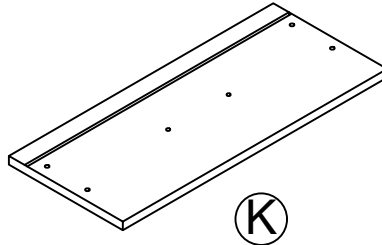
BOTTOM FRONT RAIL
Qty:1

Board Identification

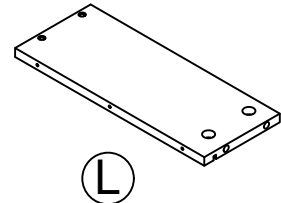
Not actual size



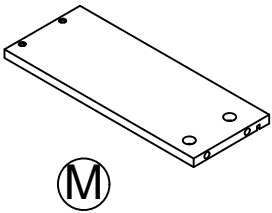
REAR PULL BAR
Qty:1



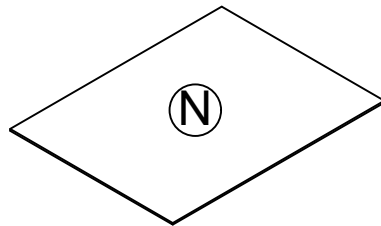
BIG DRAWER FRONT
Qty:1



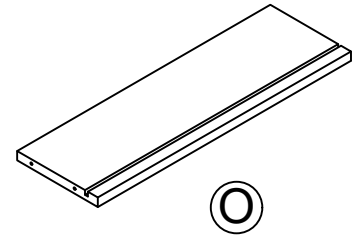
DRAWER LEFT SIDE
Qty:1



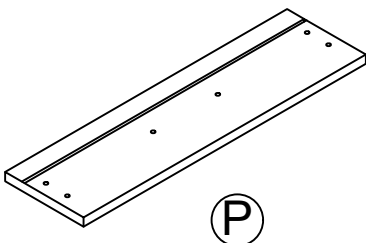
DRAWER RIGHT SIDE
Qty:1



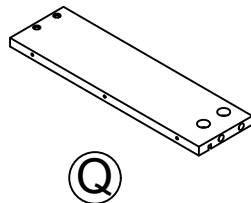
DRAWER BOTTOM
Qty:3



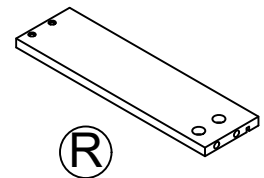
DRAWER BACK PANEL
Qty:1



SMALL DRAWER FRONT
Qty:2



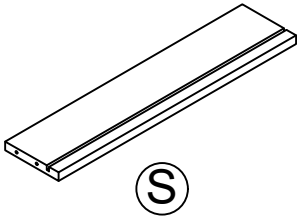
DRAWER LEFT SIDE
Qty:2



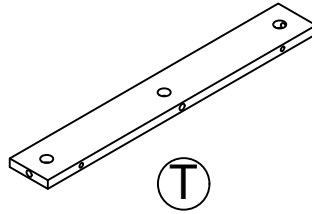
DRAWER RIGHT SIDE
Qty:2

Board Identification

Not actual size

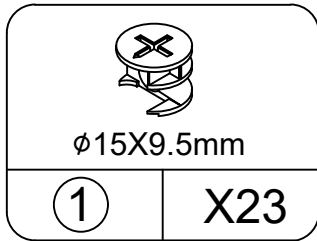


DRAWER RIGHT SIDE
Qty:2

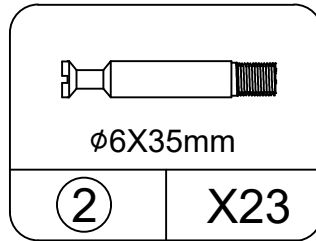


FRONT PULL BAR
Qty:1

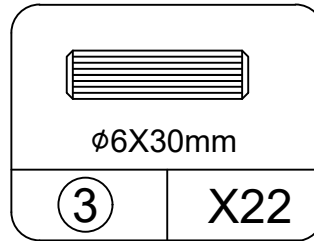
Part List



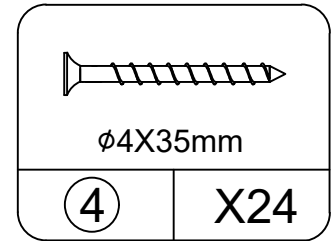
CAM LOCK
spare: 2



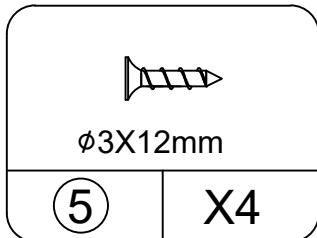
CAM BOLT
spare: 2



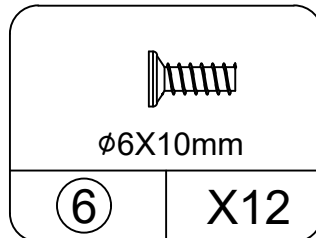
WOOD DOWEL
spare: 2



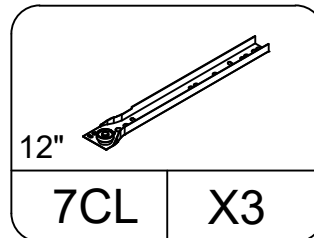
SCREW
spare: 2



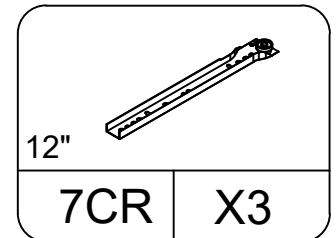
SCREW
spare: 1



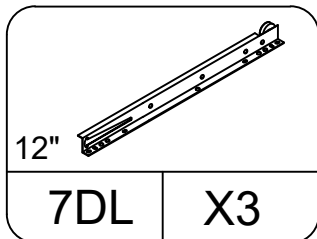
SCREW
spare: 2



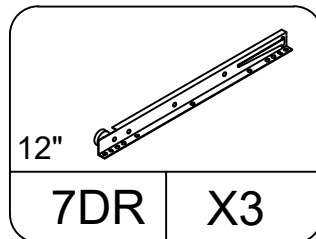
LEFT CABINET MEMBER



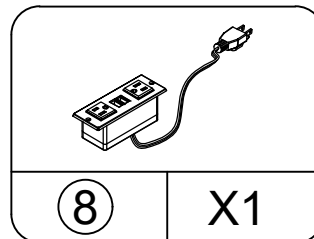
RIGHT CABINET MEMBER



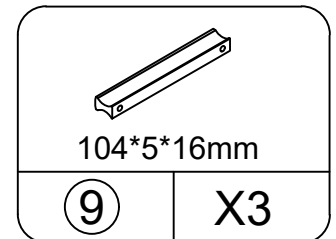
LEFT DRAWER RUNNER



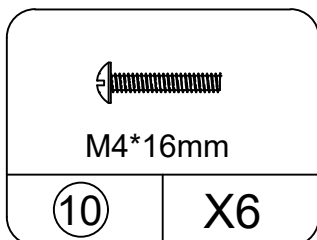
RIGHT DRAWER RUNNER



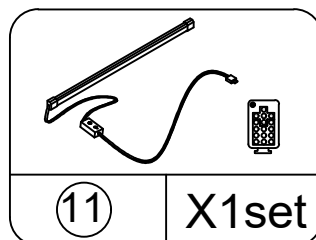
POWER STRIP



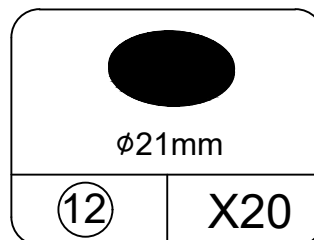
HANDLE



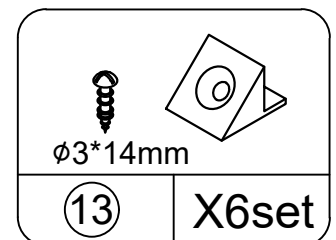
SCREW
spare: 1



STRIP OF LIGHTS

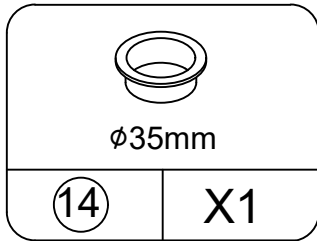


PERFECT STICKERS
spare: 2

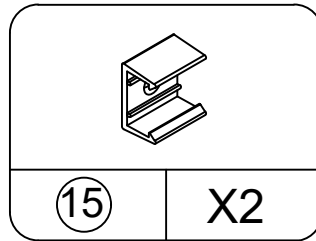


BACK PANEL BUCKLE
spare: 1

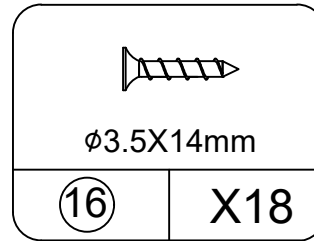
Part List



GROMMET



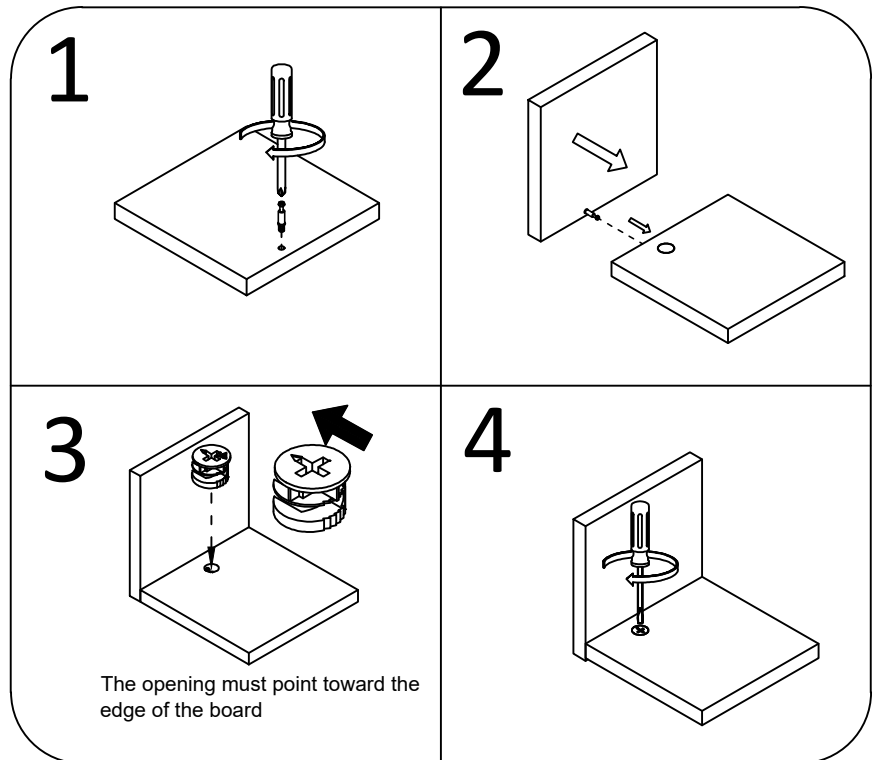
LIGHT STRIP SNAP
spare: 1



SCREW
spare: 2

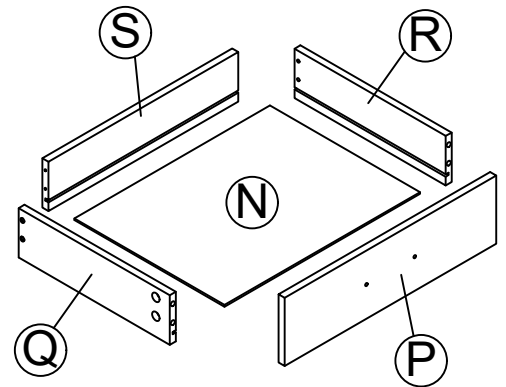
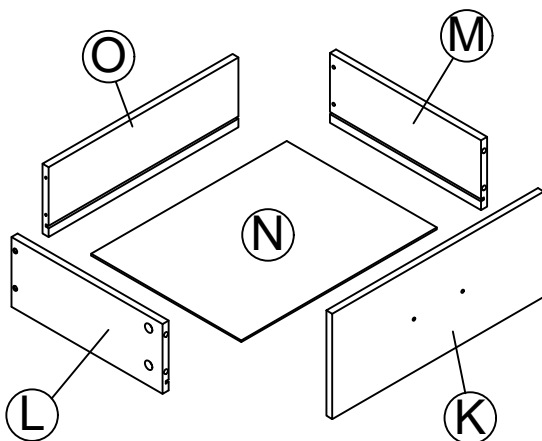
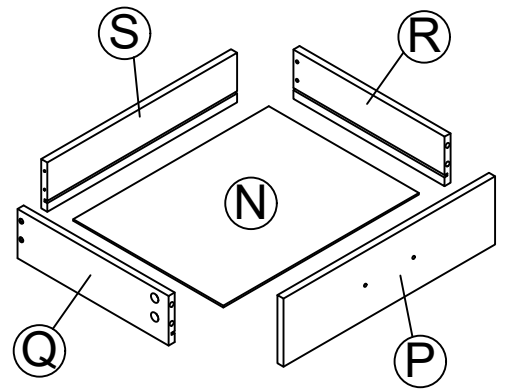
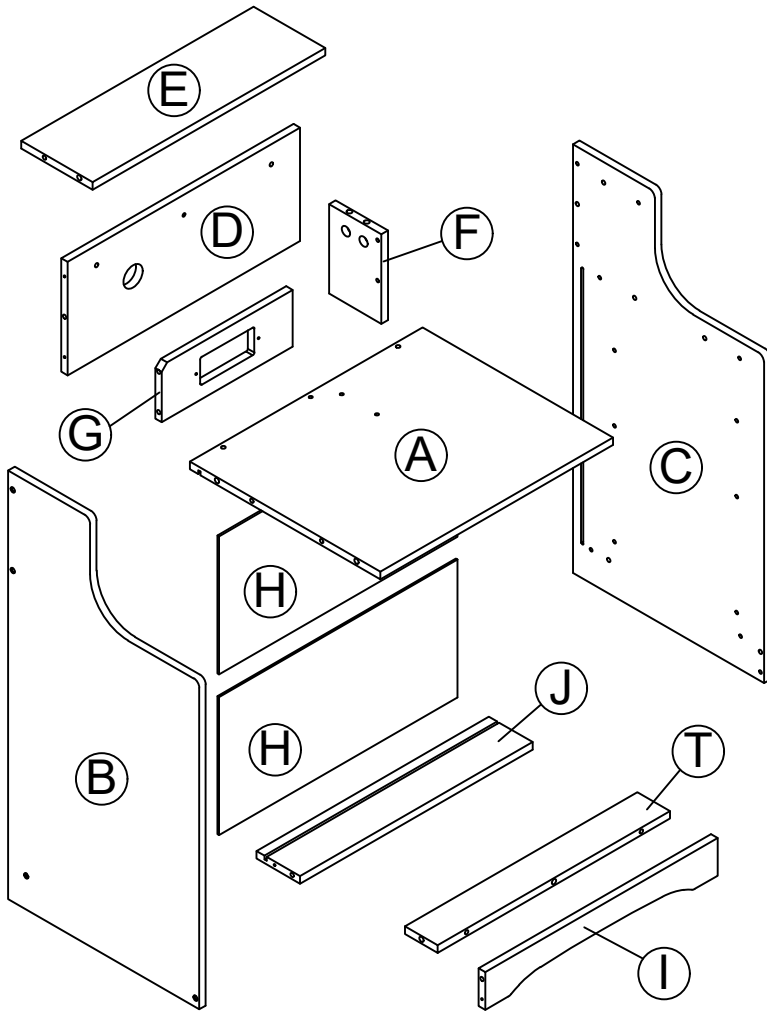
Cam Lock Fastening System

Insert the cam bolt into the hole first, then insert the cam lock and lock it.

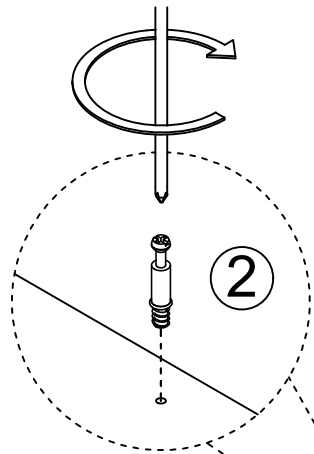
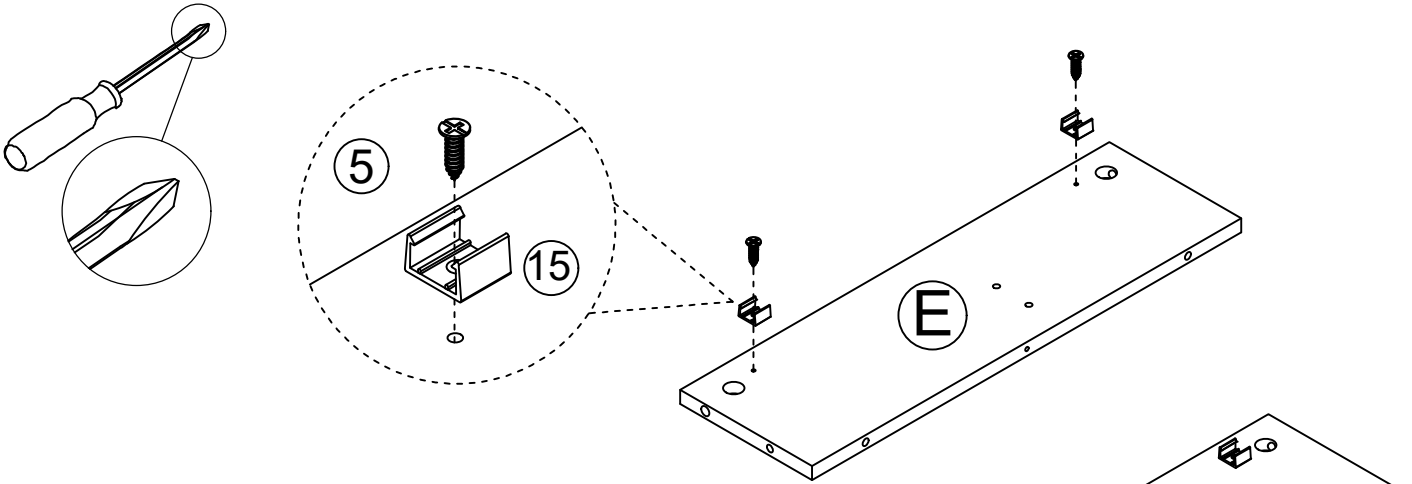
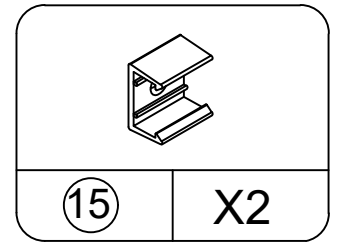
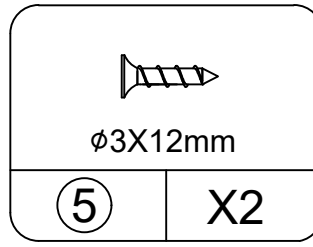
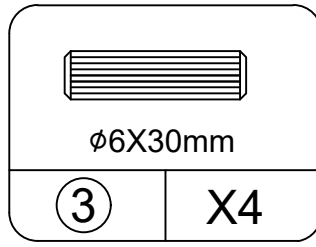
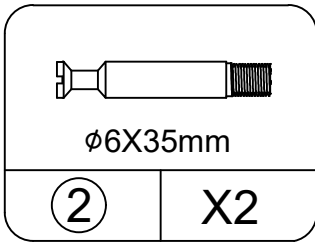


Board Identification

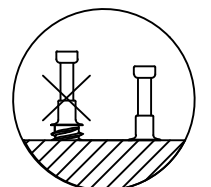
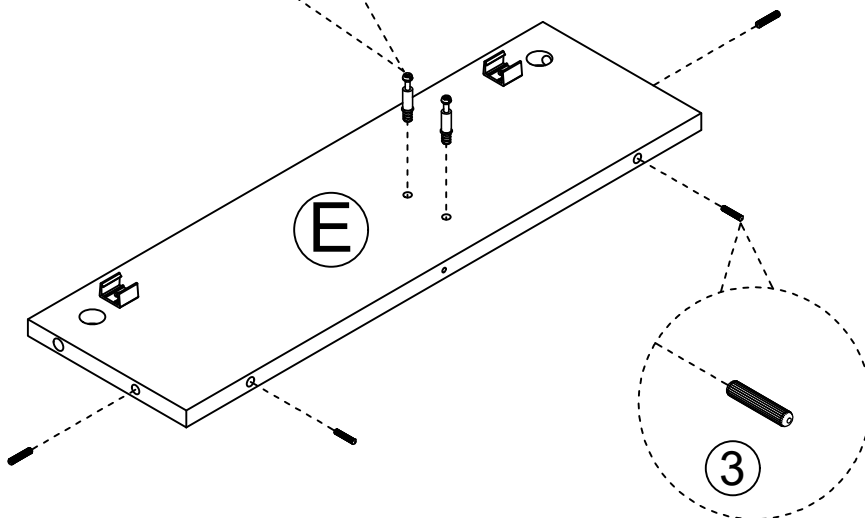
Not actual size



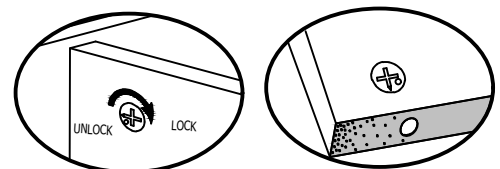
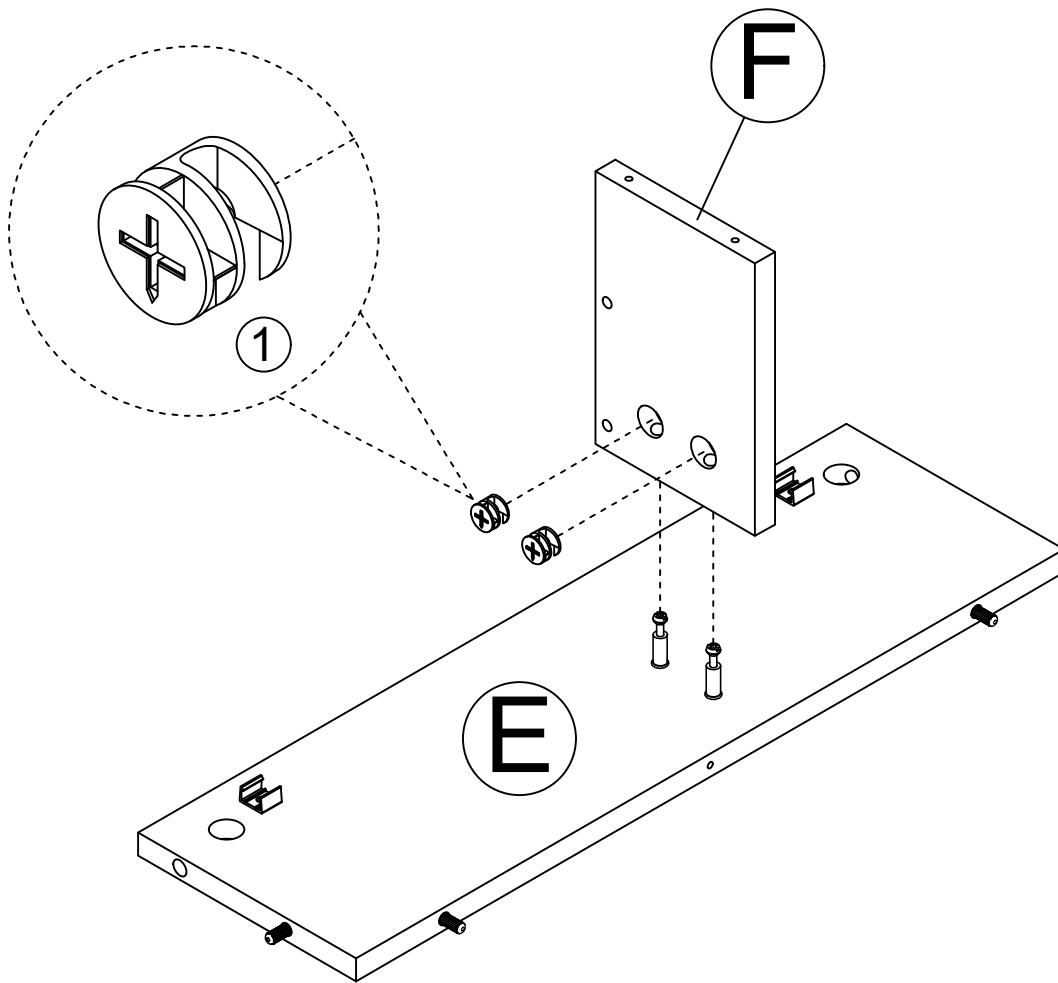
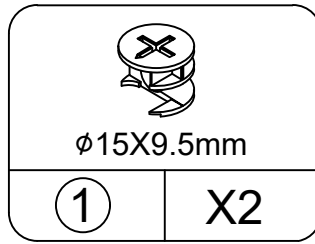
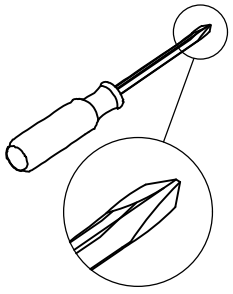
STEP1



FINISH
The direction is consistent

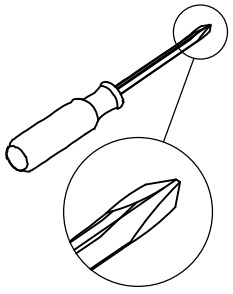



STEP 2

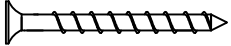


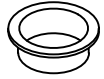
Proper orientation of CAM LOCK

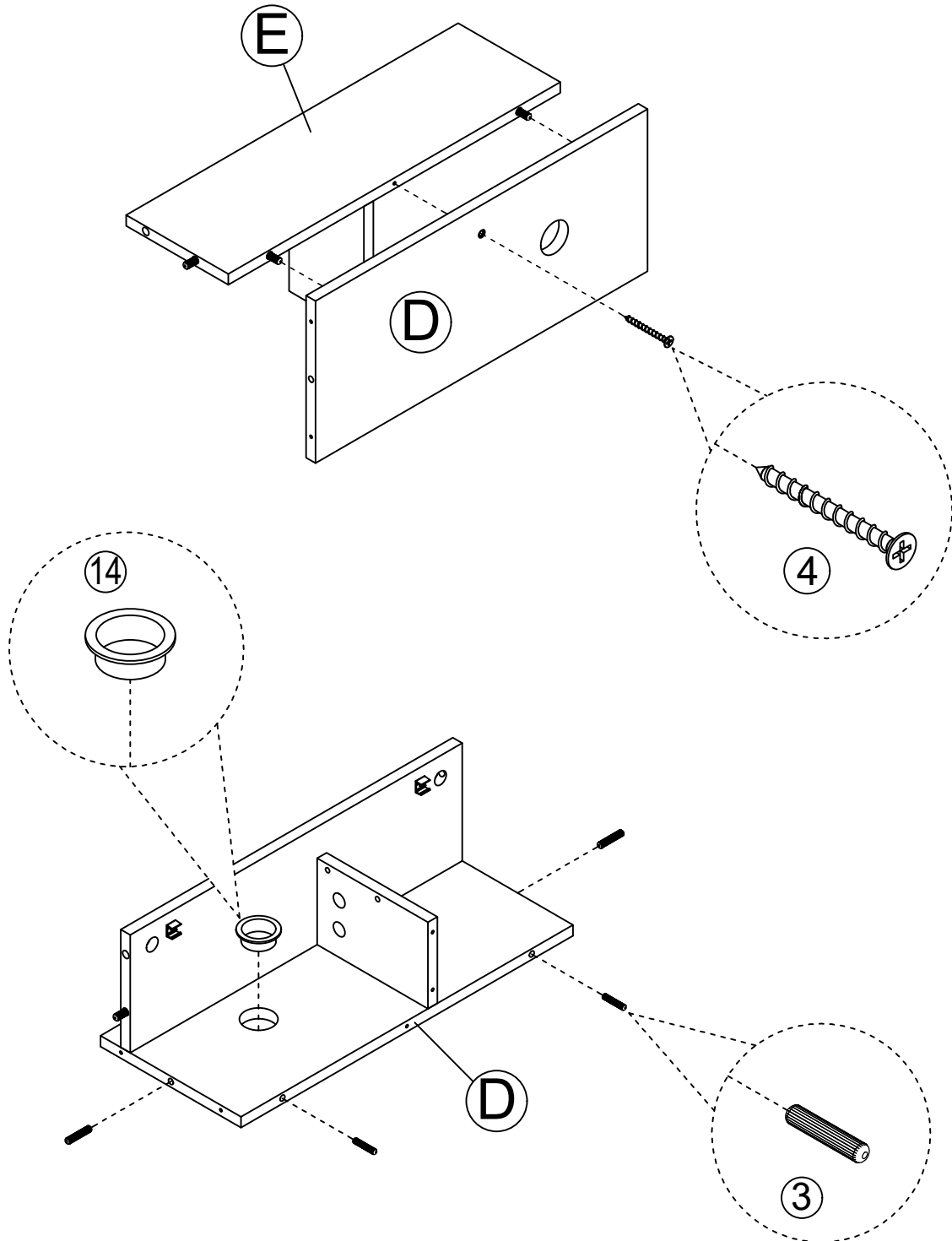
STEP3



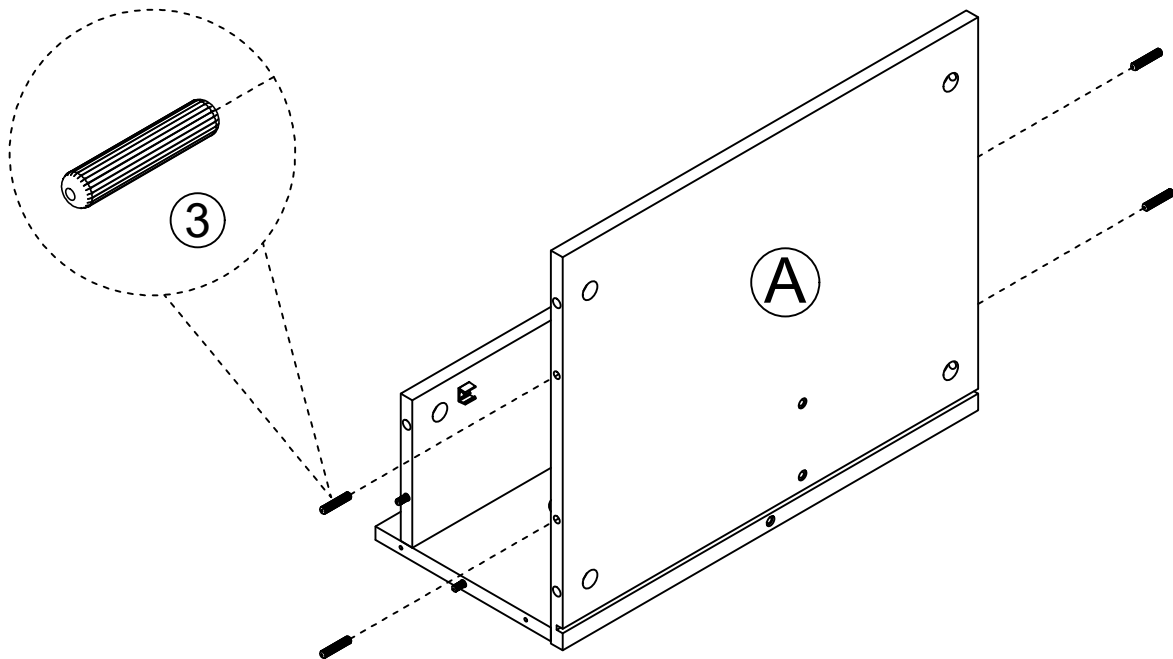
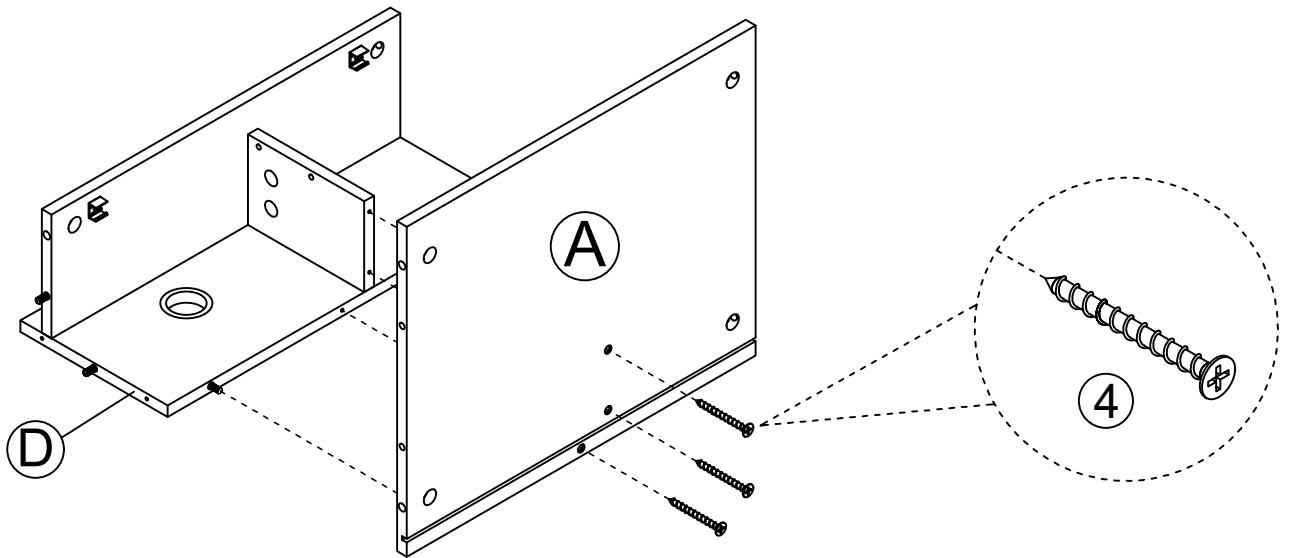
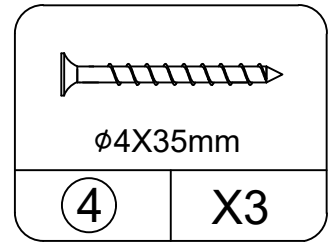
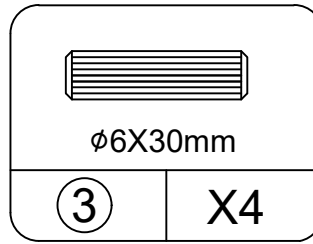
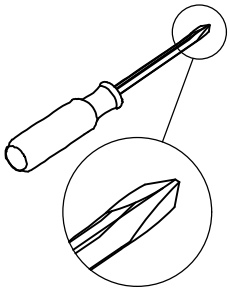
| | |
|--|----|
|  ø6X30mm | |
| 3 | X4 |

| | |
|---|----|
|  ø4X35mm | |
| 4 | X1 |

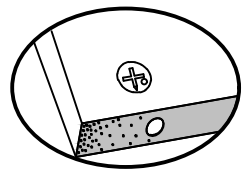
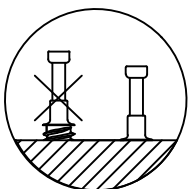
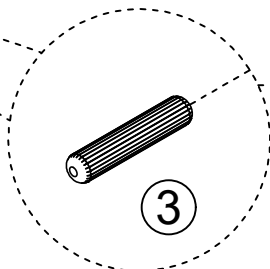
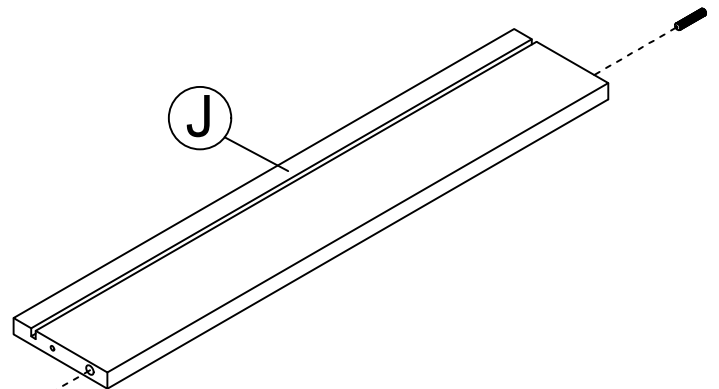
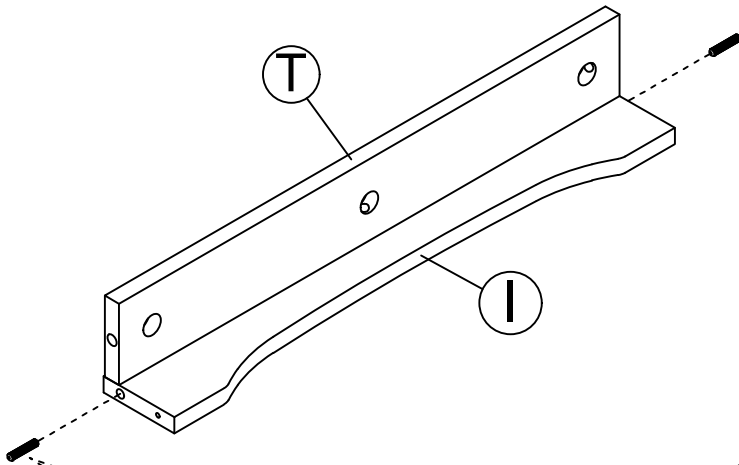
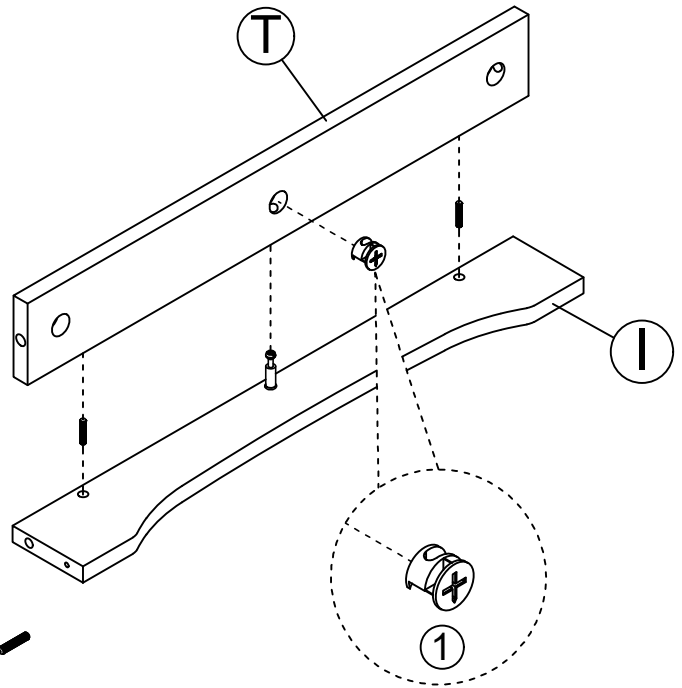
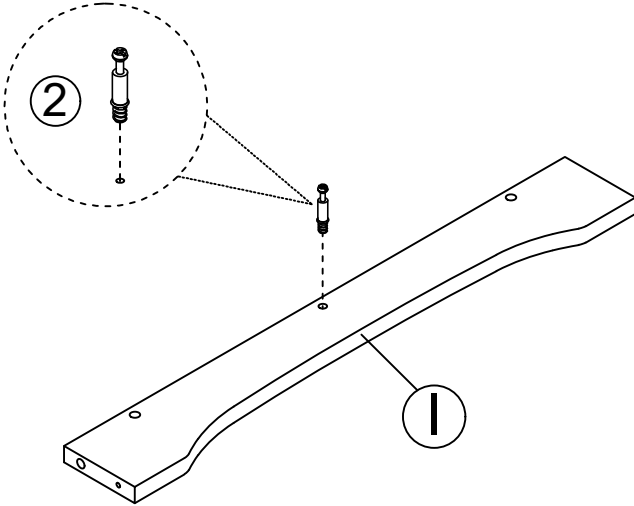
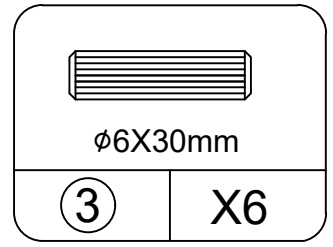
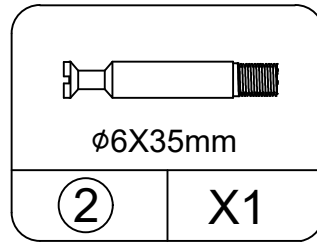
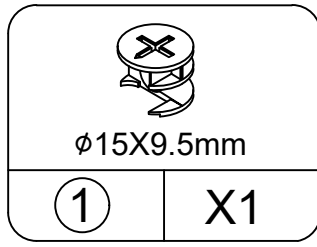
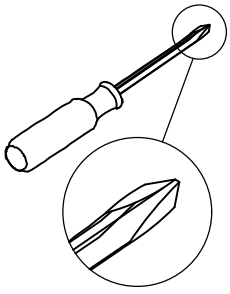
| | |
|--|----|
|  ø35mm | |
| 14 | X1 |



STEP 4

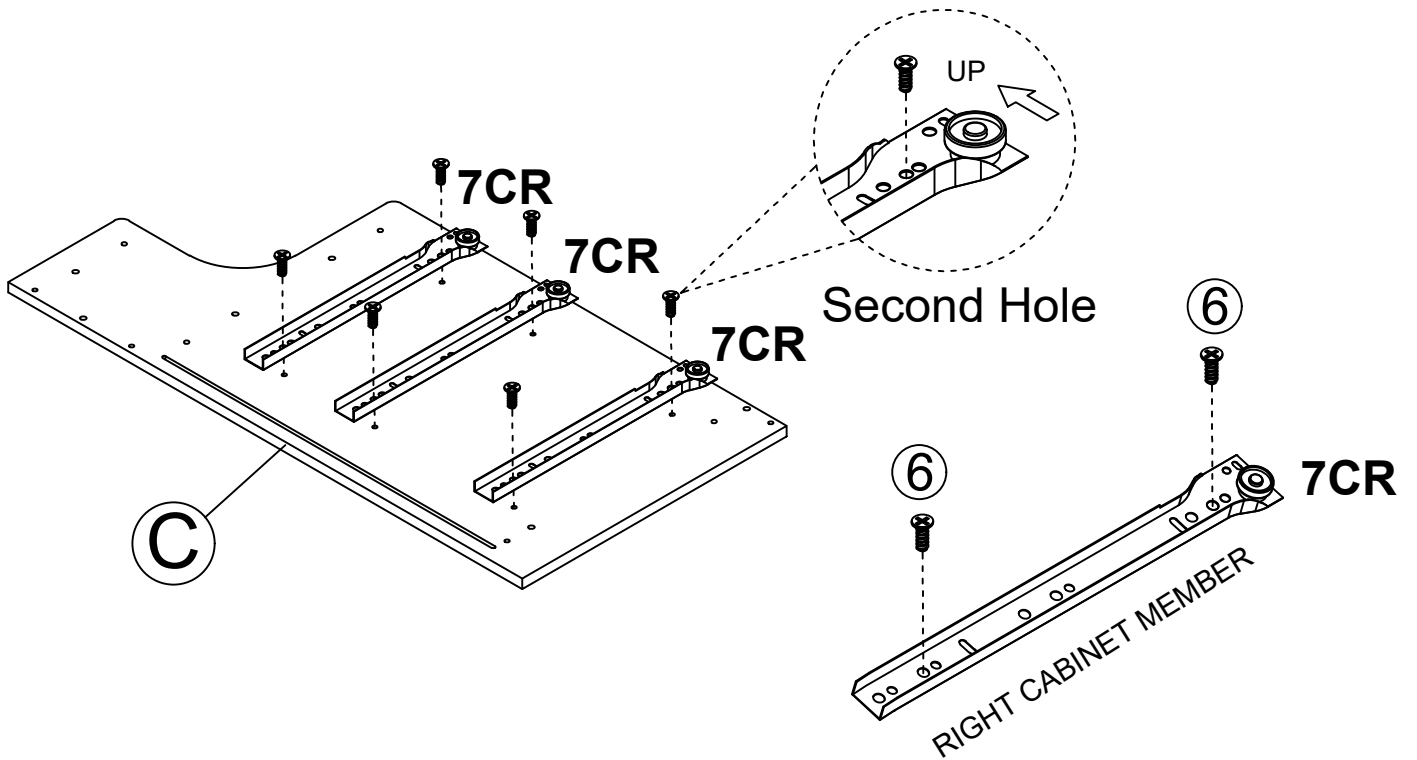
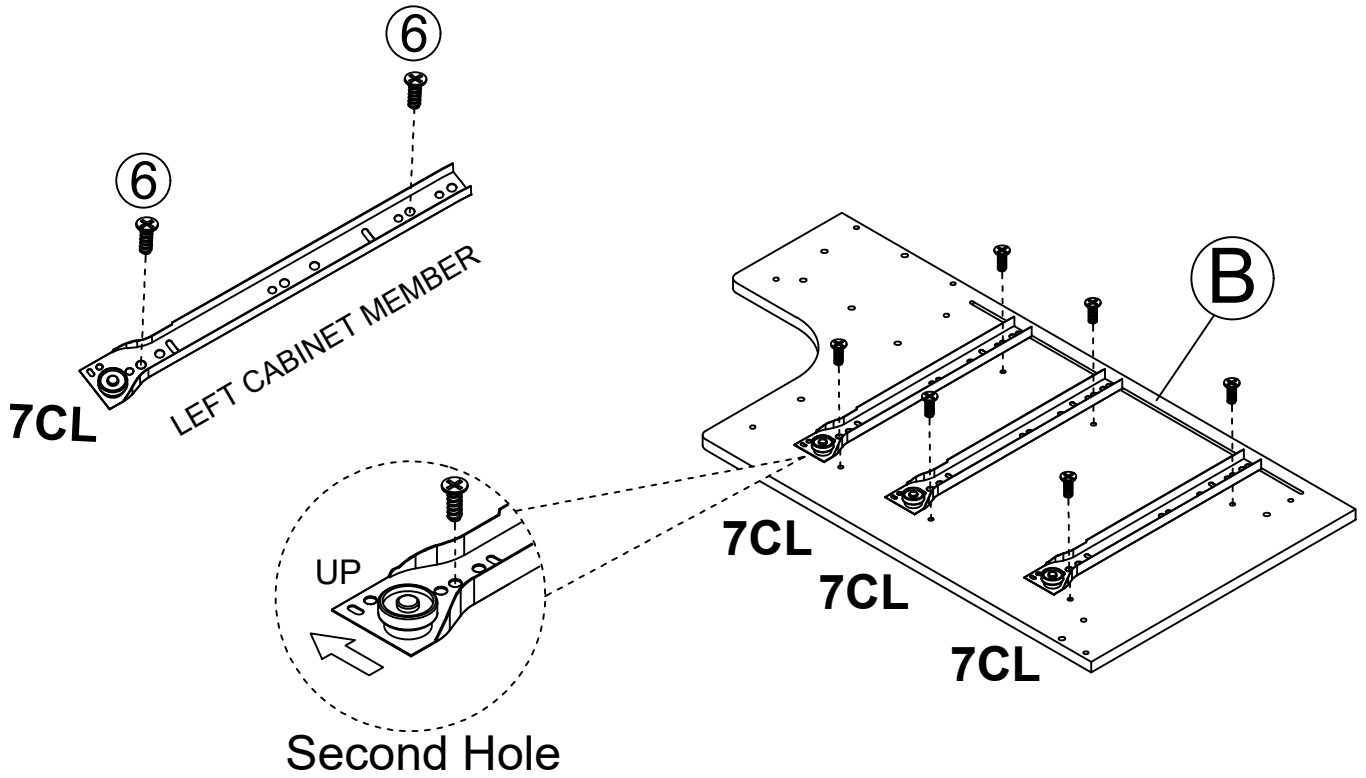
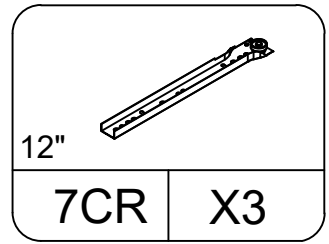
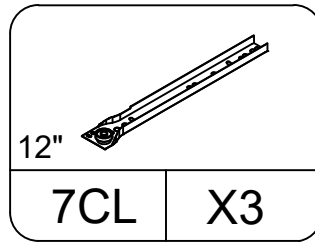
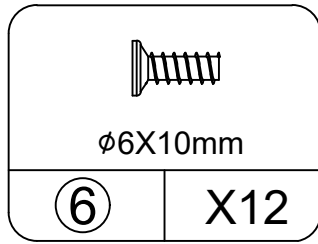
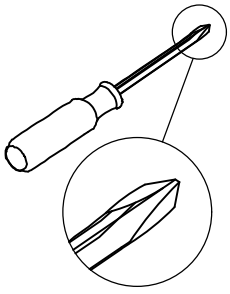


STEP 5

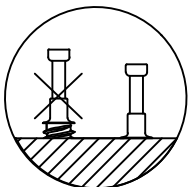
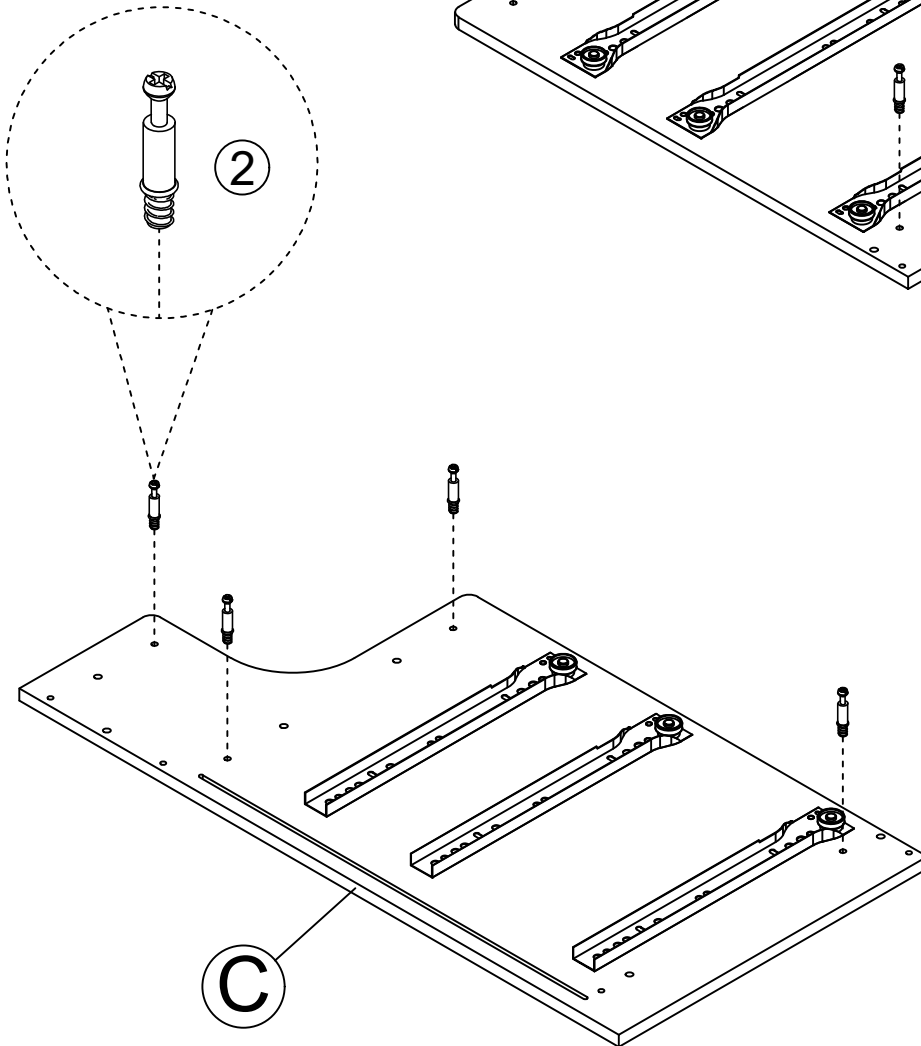
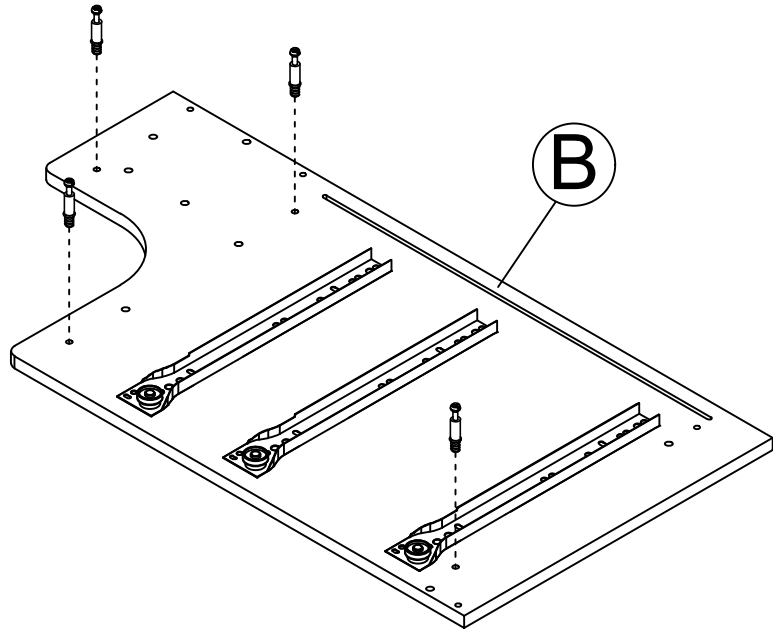
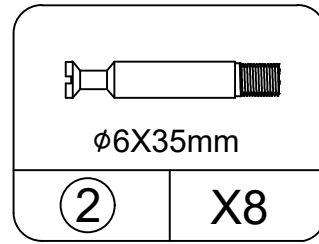
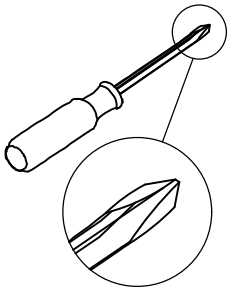


Proper orientation of CAM LOCK

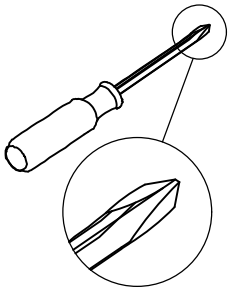
STEP 6




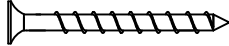
STEP 7




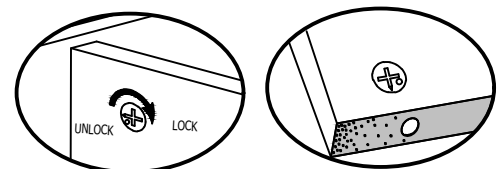
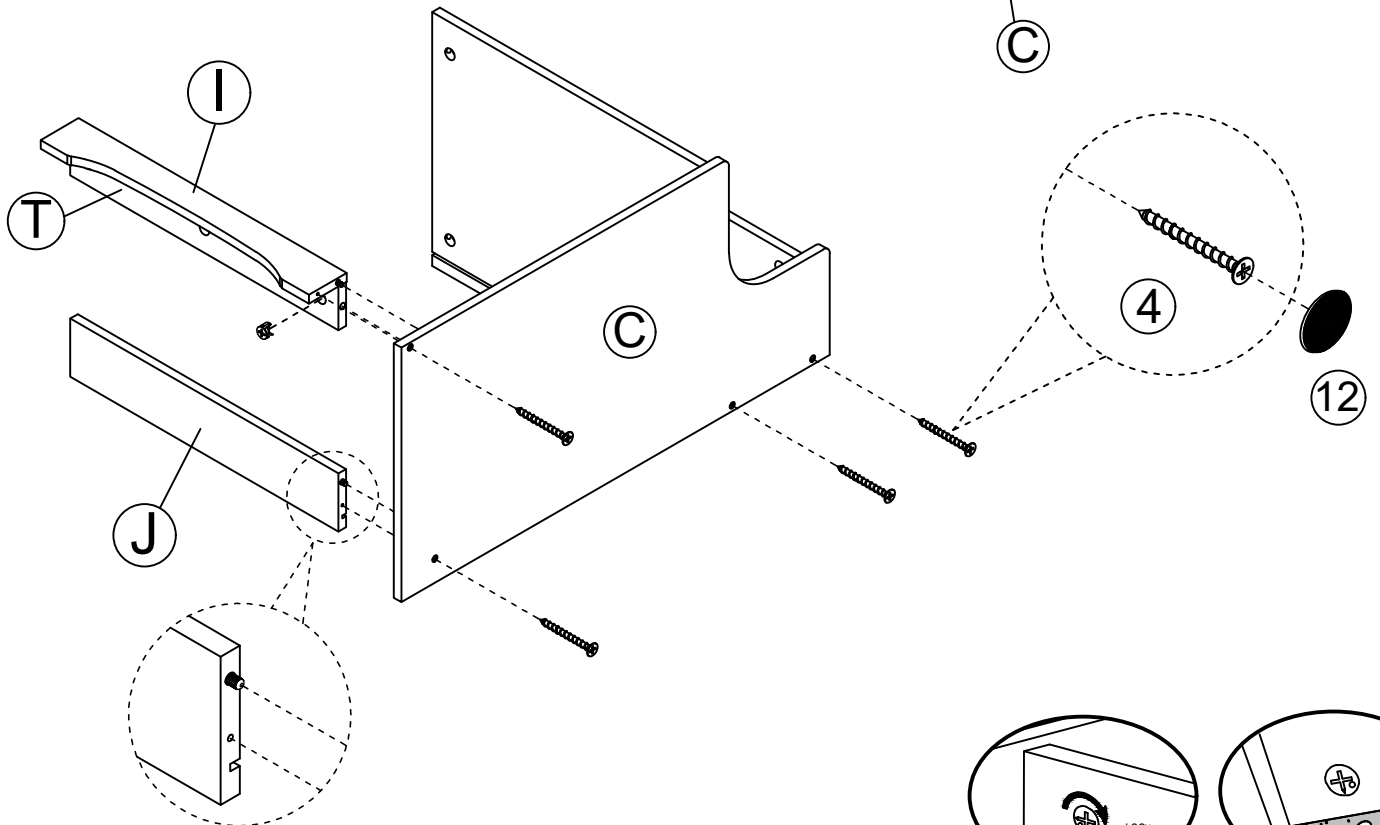
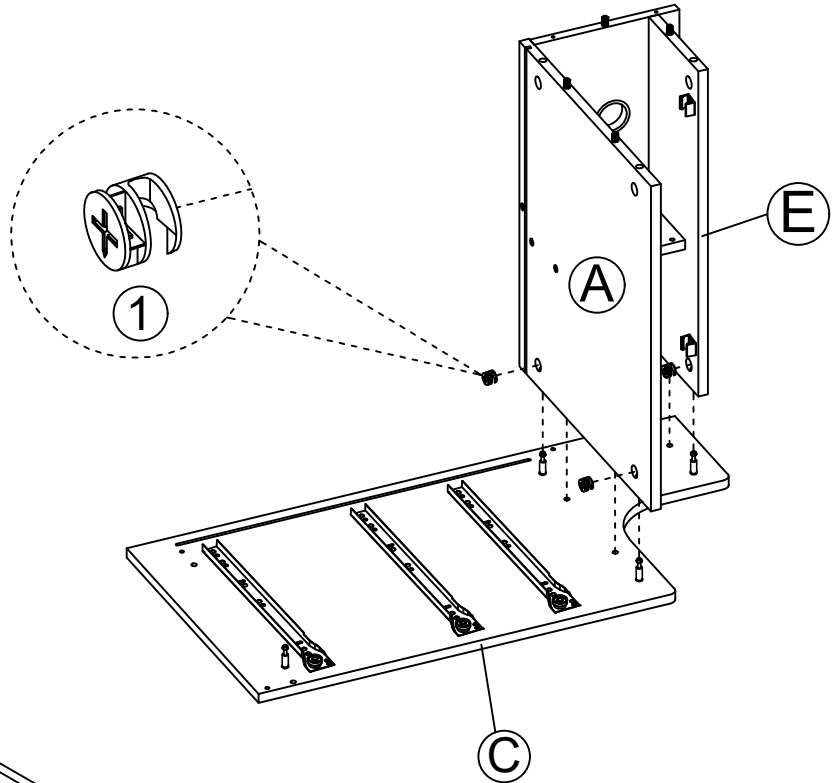
STEP 8



| | |
|---|----|
|  $\phi 15 \times 9.5 \text{mm}$ | |
| ① | X4 |

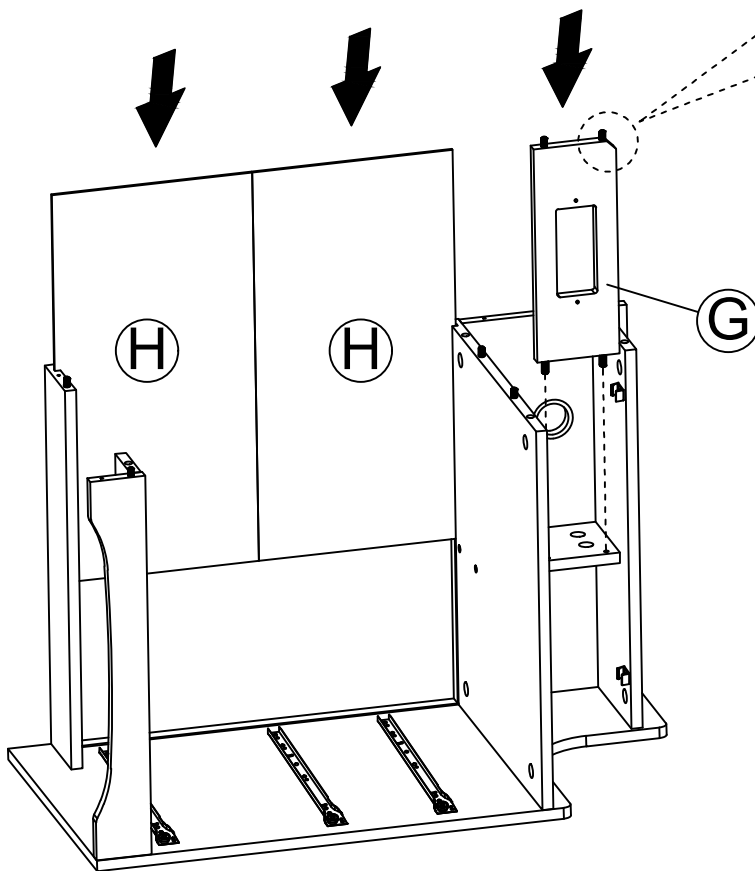
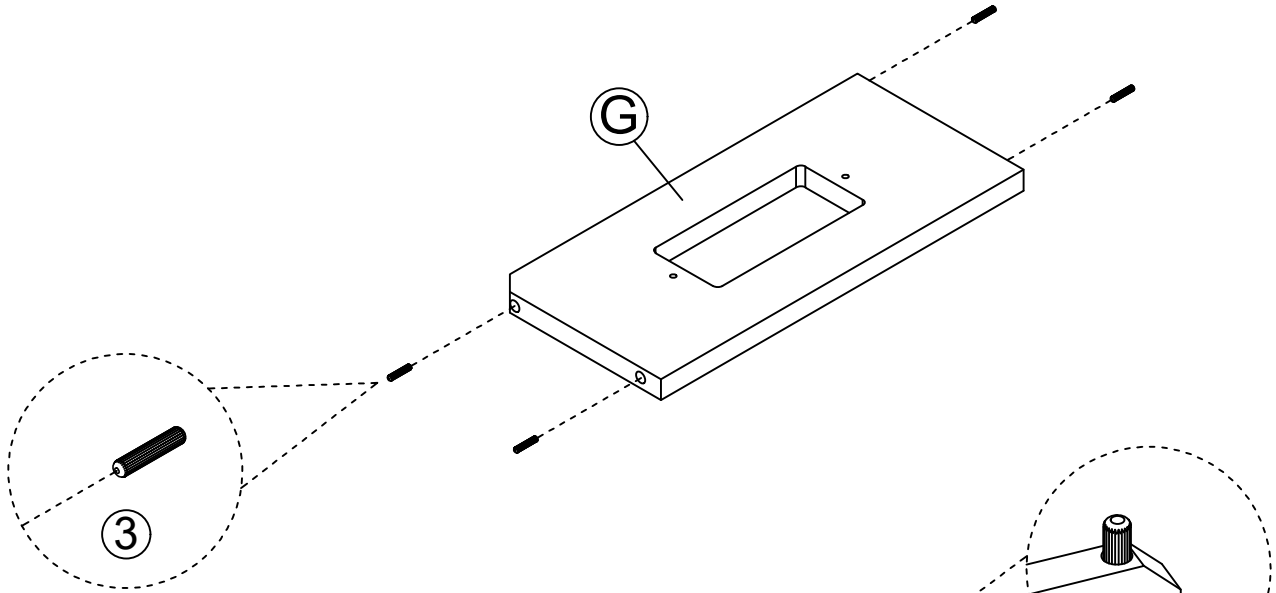
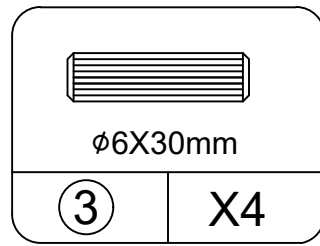
| | |
|--|----|
|  $\phi 4 \times 35 \text{mm}$ | |
| ④ | X4 |

| | |
|--|----|
|  $\phi 21 \text{mm}$ | |
| ⑫ | X4 |



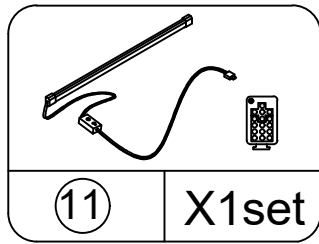
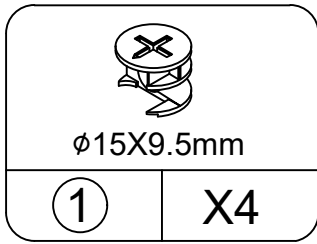
Proper orientation of CAM LOCK

STEP9

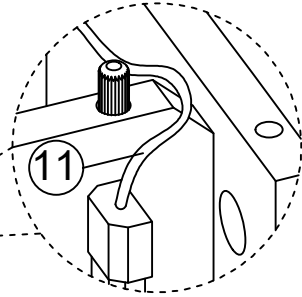
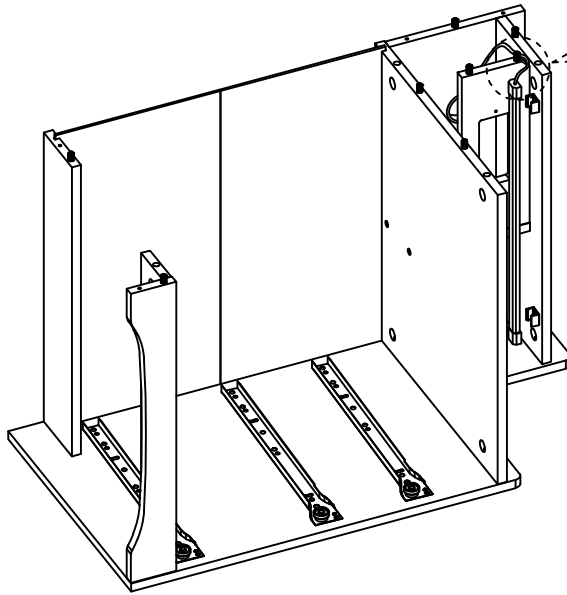
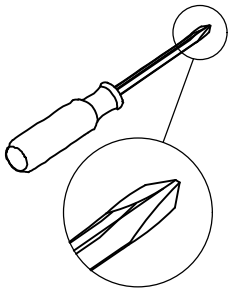


Pay attention to the orientation

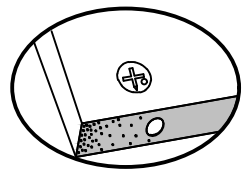
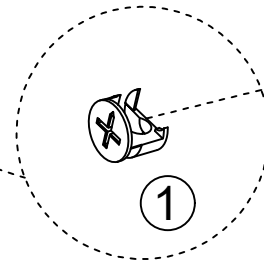
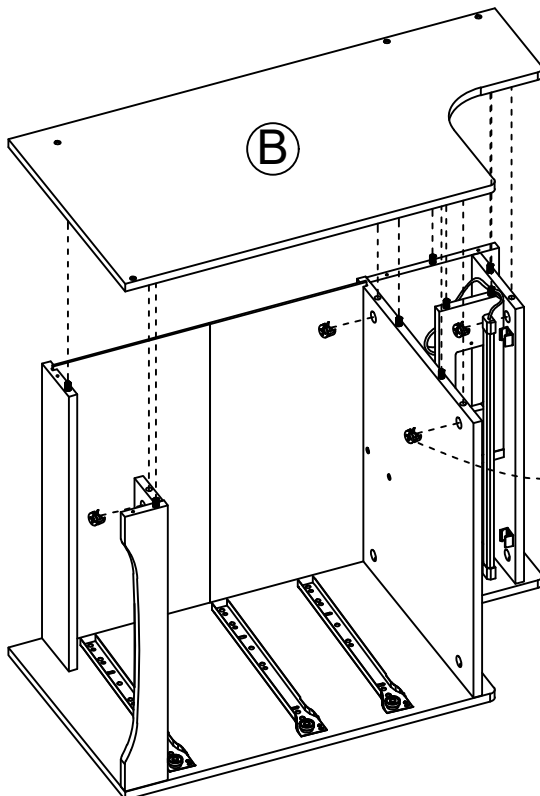
STEP10



Before installing the strip, remove the protective film on the strip

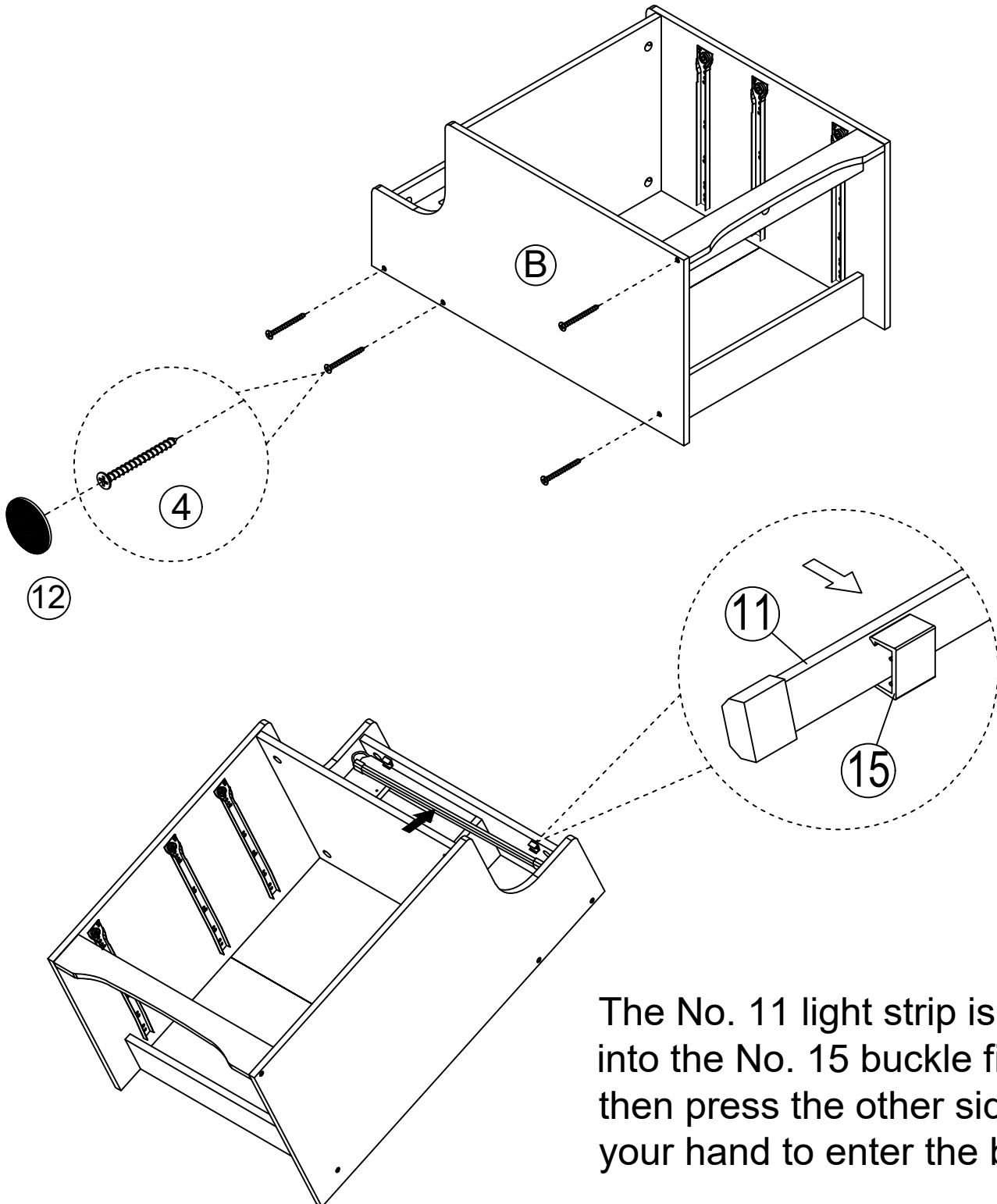
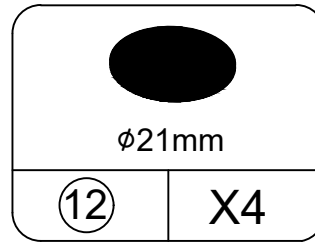
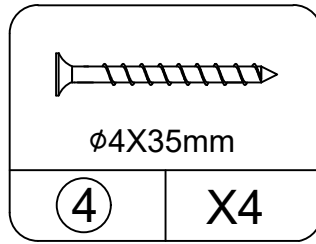
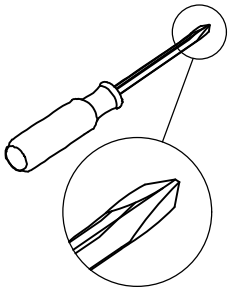


For better installation below, just put the light strip hardware No. 11 in the position shown in the figure




Proper orientation of CAM LOCK

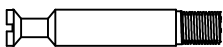
STEP 11

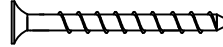



The No. 11 light strip is inclined into the No. 15 buckle first, and then press the other side with your hand to enter the buckle

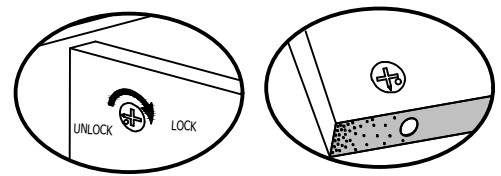
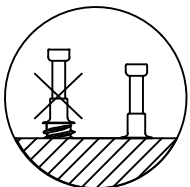
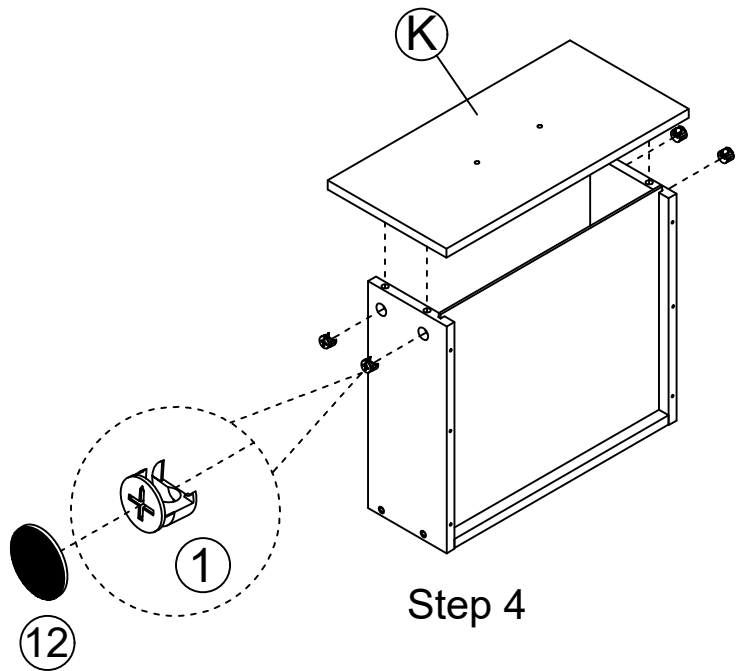
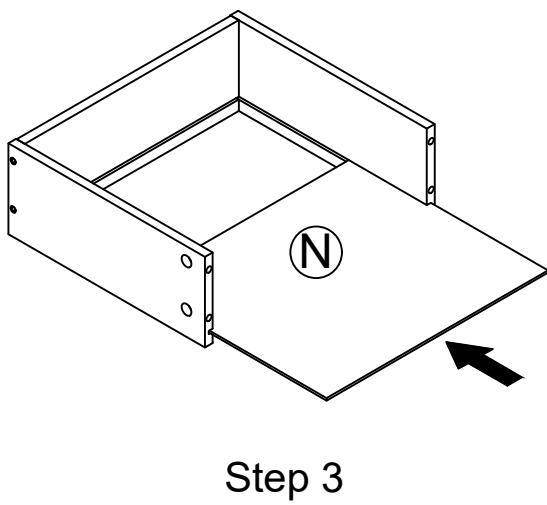
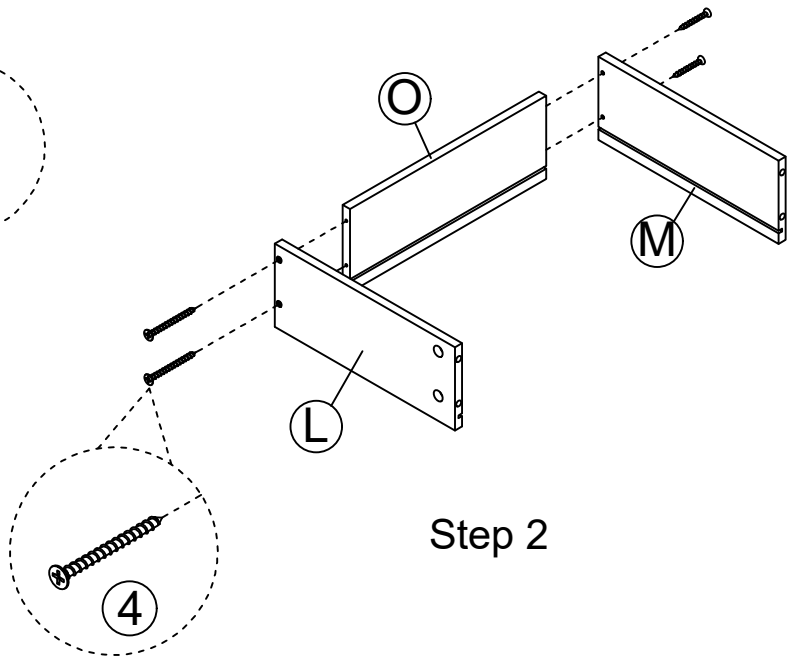
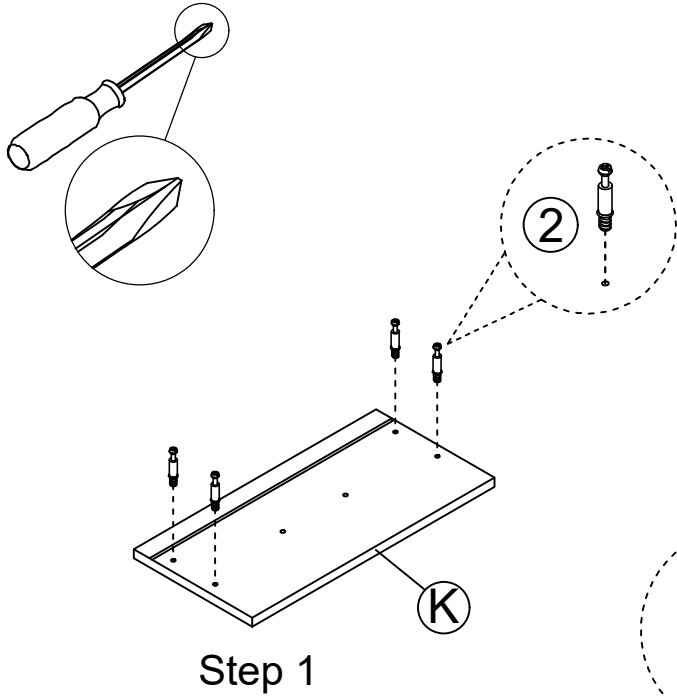
STEP 12

| | |
|---|----|
|  | |
| ø15X9.5mm | |
| ① | X4 |

| | |
|---|----|
|  | |
| ø6X35mm | |
| ② | X4 |

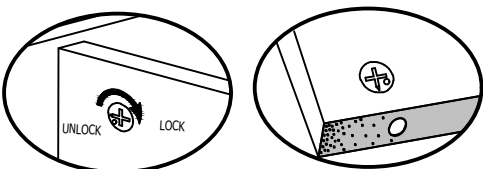
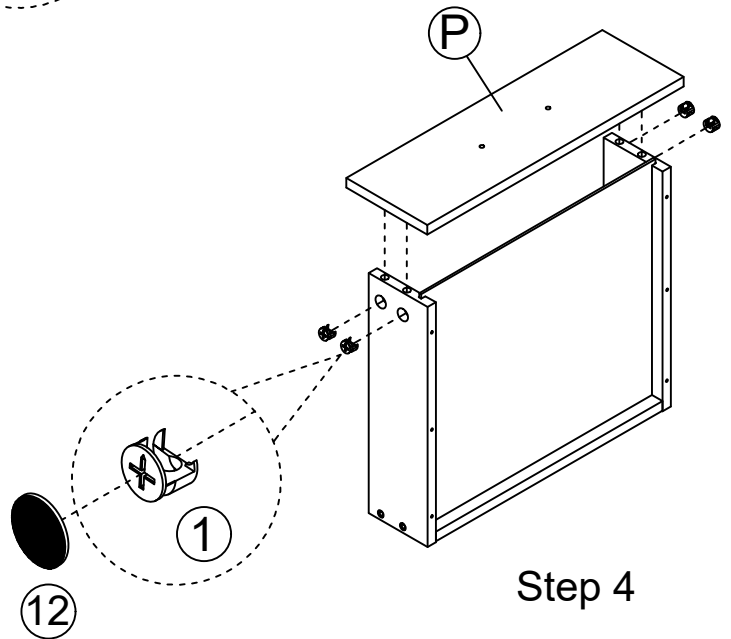
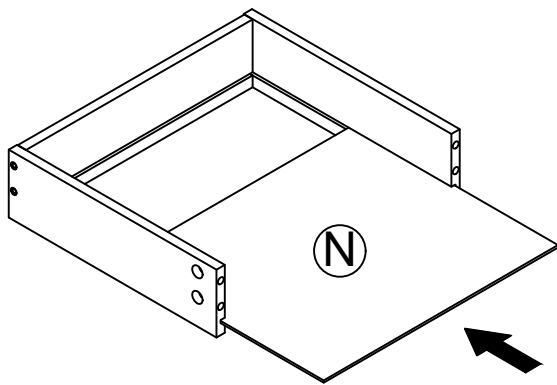
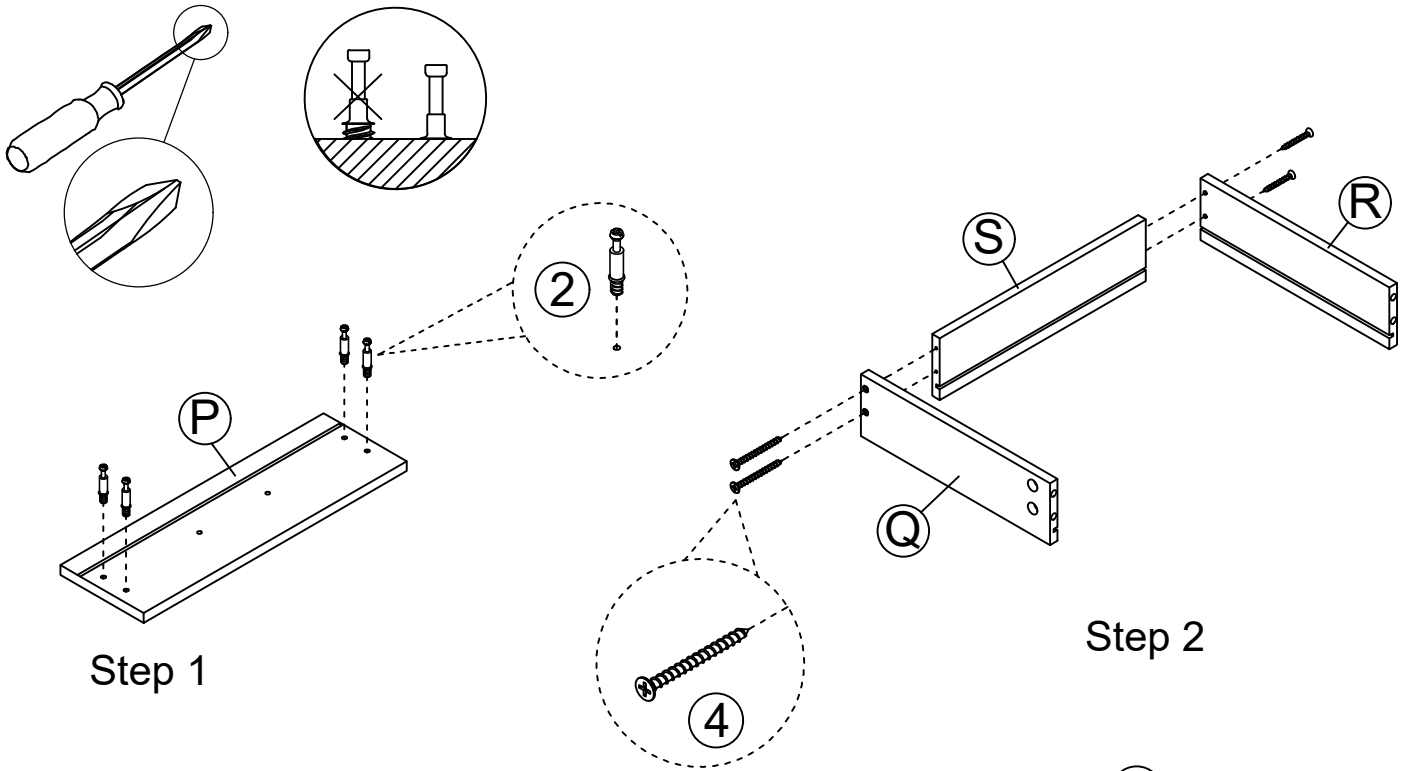
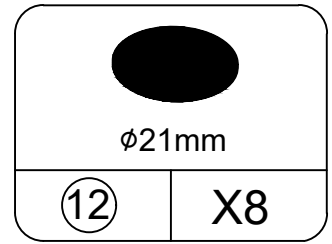
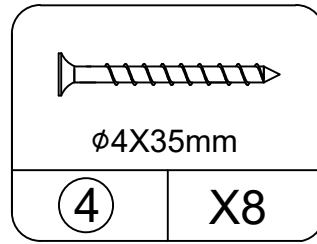
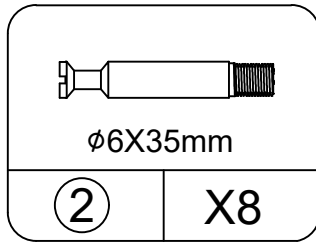
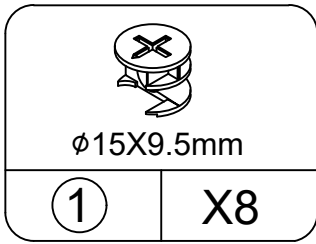
| | |
|--|----|
|  | |
| ø4X35mm | |
| ④ | X4 |

| | |
|---|----|
|  | |
| ø21mm | |
| ⑫ | X4 |



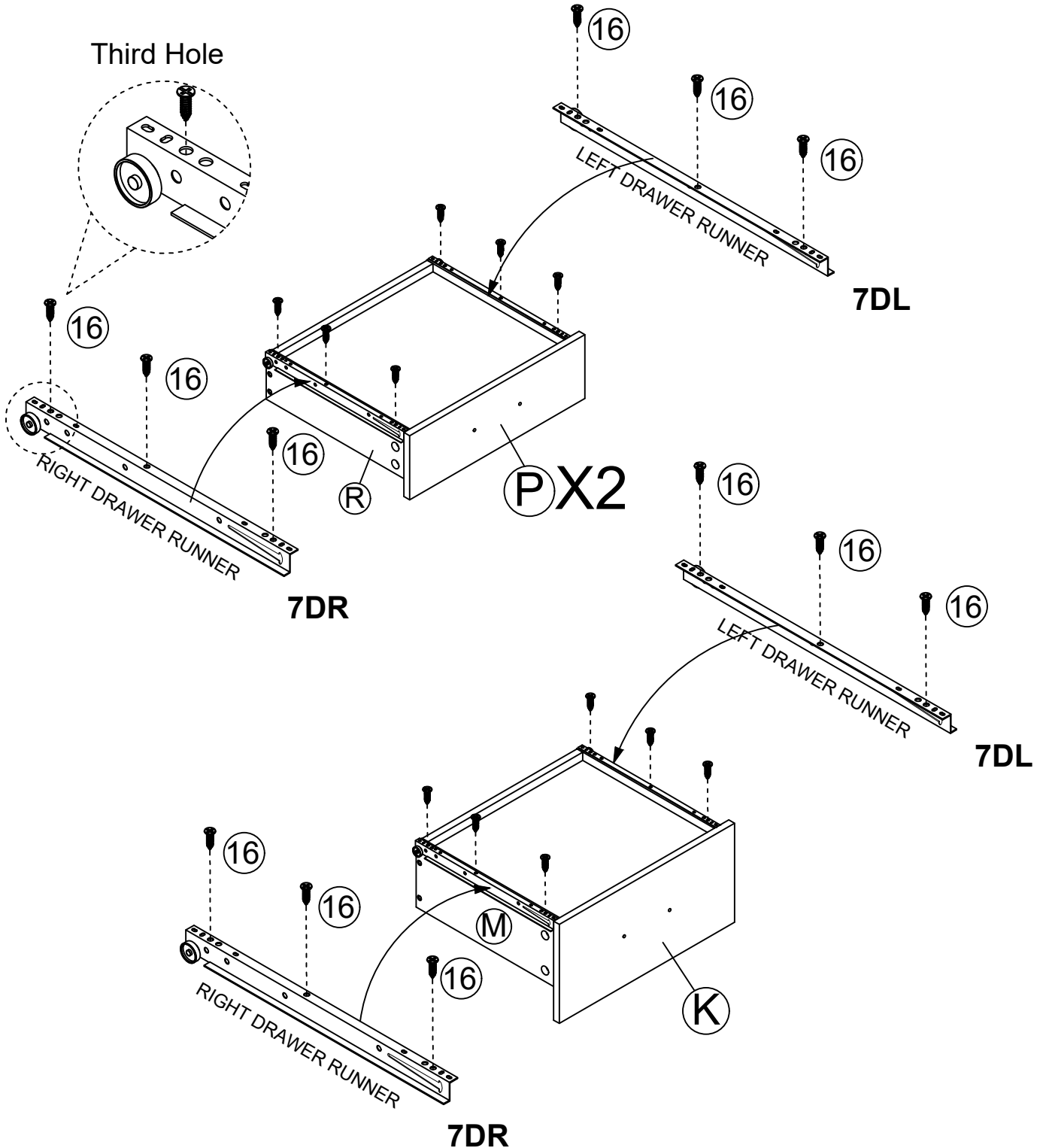
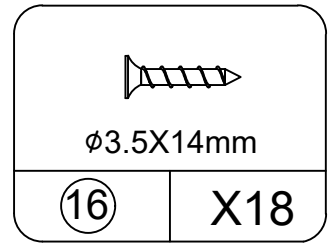
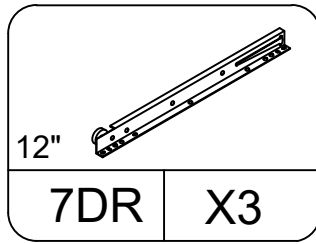
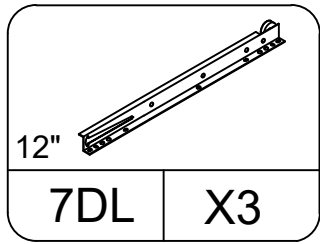
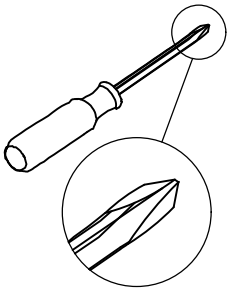
Proper orientation of CAM LOCK

STEP 13

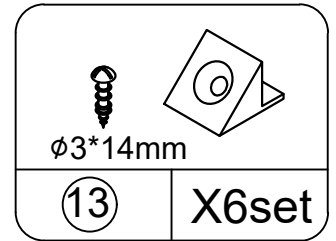
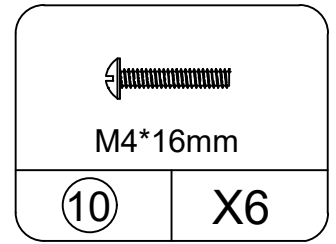
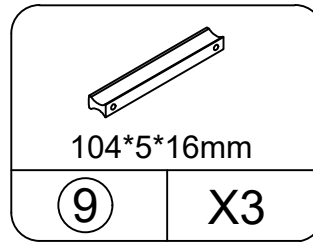
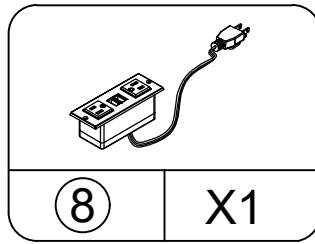
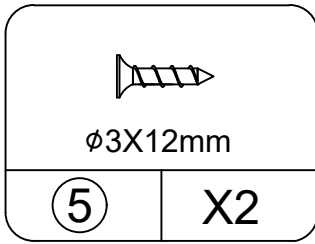


X2

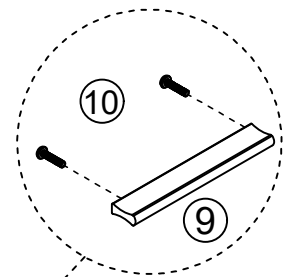
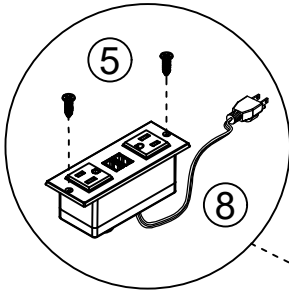
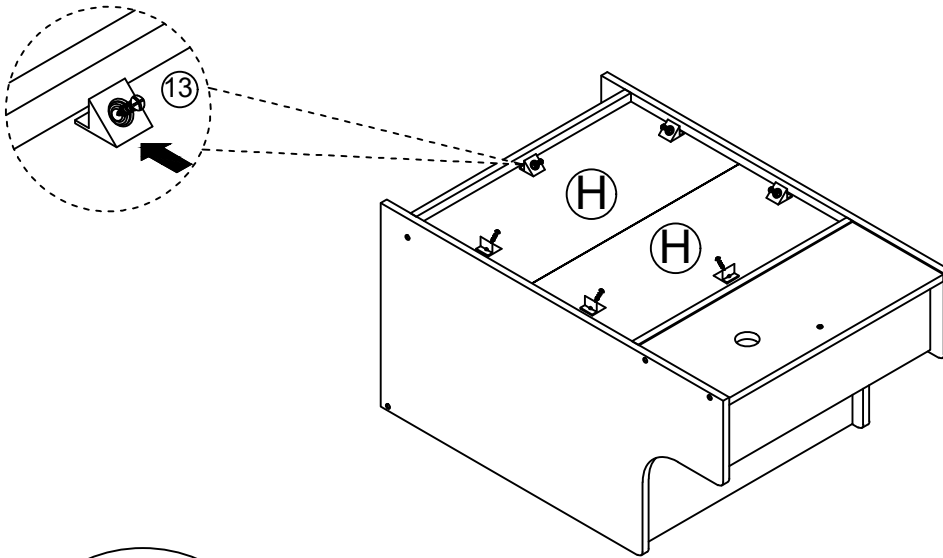
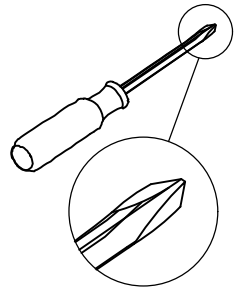
STEP14



STEP15

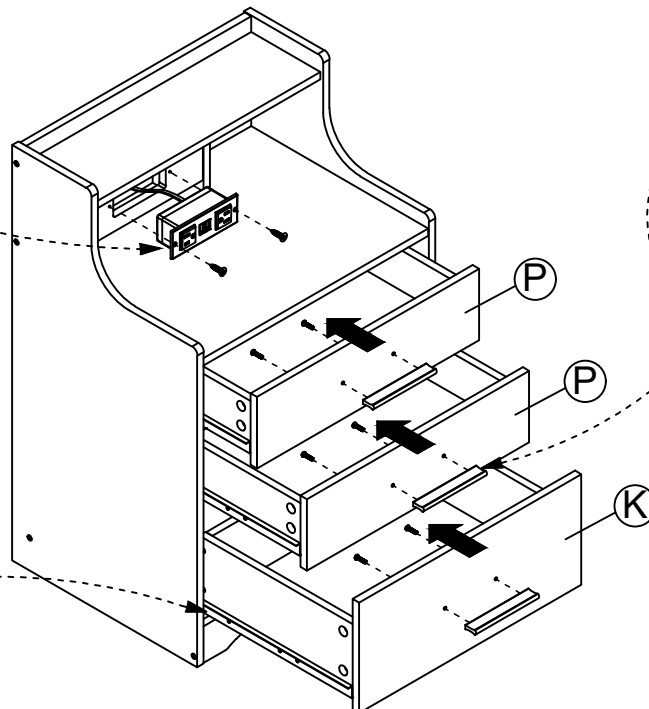


Insert the plastic buckle into the back plate slot, screw through the hole in the plastic buckle and lock it in place.



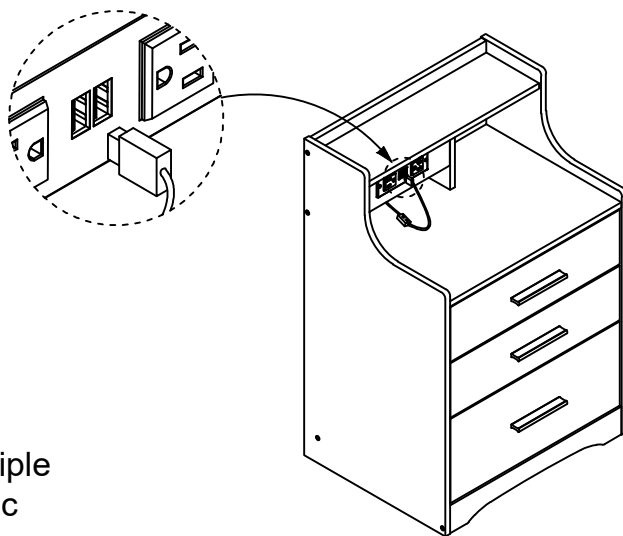
Cabinet Slide

Drawer Slide



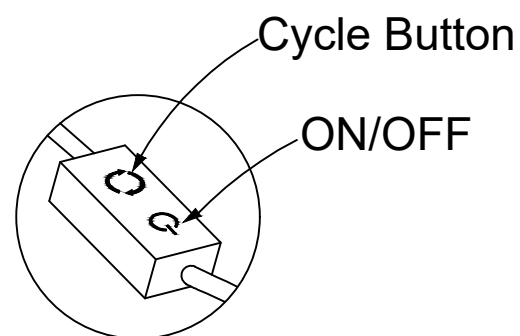
RGB LED Controller Instructions

You can use the switch or remote to control the lighting effects.

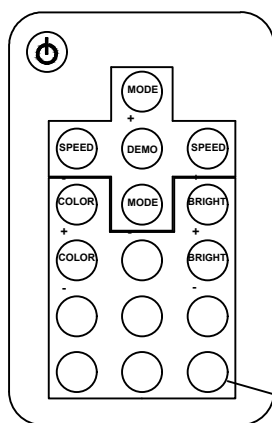


Description of switch function

1. Power on/off: Press and hold the power button.
2. Change the mode: Short press the cycle button. (Multiple mode options: Static Red/Static Green/Static Blue/Static White/Multicolor Blinking/Multicolor Breathing/Red Breathing/Blue Breathing/Green Breathing)
3. Adjust the flashing speed: Short press the power button.
4. Adjust the brightness: Press and hold the cycle button and short press the power button meanwhile.



Remote control instructions



MODE/MODE: Switch to dynamic mode from static color, or switch between dynamic modes.
 + - Mode switch+/Previous mode
 - - Mode switch-/Next mode

DEMO: Color cycle display mode, At demo mode, it plays dynamic modes in loop.

SPEED/SPEED: Adjust the flashing speed (Six speed mode)
 + -

COLOR/COLOR: Switch color (switch between static color)
 + -

BRIGHT/BRIGHT: Adjust the brightness (Six brightness mode)
 + - (Both dynamic and static can be used)

In addition, there are 7 colors, making up a total of 25 color modes.

NOTE

1. During use, if the switch can work normally, but the remote control cannot, you need to perform the code matching operation.
2. If the light is interfered by other remote controls or cannot be controlled remotely. Please power off and then power on again before performing code matching.
 How to perform code matching operation: Press and hold the start button on the remote control for 3 seconds within 10 seconds of turning on the power, the light strip flashes 3 times with white light, indicating that the code (remote control) is matched.