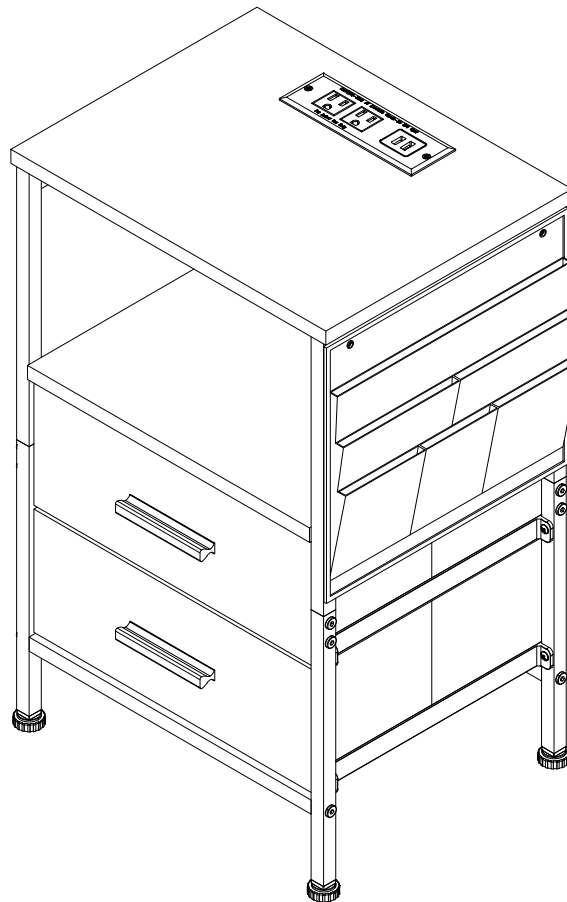




# D8L244



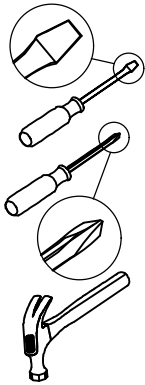
As this item contains many parts, please read the installation instruction carefully before installation and complete the installation with the cooperation of your partner. Please use tools properly and carefully. If you have any questions about the product and installation, please contact us.

**[service@vabchesofficial.com](mailto:service@vabchesofficial.com)**

Our professional after-sales team will serve you online all day.

---

# Before You Start



- ✓ Read through each step carefully and follow the proper order
- ✓ Separate and count all your parts and hardware
- ✓ Give yourself enough room for the assembly process
- ✓ Have the following tools: Flat Head Screwdriver, #2 Phillips Head Screwdriver and Hammer
- ✓ Caution: If using a power drill or power screwdriver for screwing, please be aware of to slow down and stop when screw is tight. Failure to do so may result in stripping the screw.

# Helpful Hints

PEOPLE NEEDED FOR ASSEMBLY: 1-2

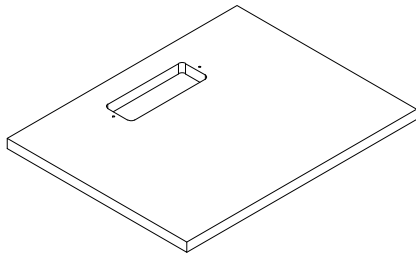
- Open your item in the area you plan to keep it to avoid excessive heavy lifting.
- Identify, sort and count the parts before attempting assembly.
- Compression dowels are lightly tapped in with a hammer.
- Slides are labeled with an **R** (right) and **L** (left) for proper placement.
- Make sure to always face the point on the top of the Cam Lock towards the outer edge.
- Use all the nails provided for the back panel and spread them out equally.
- Back panel must be used to make sure your unit is sturdy.
- Do NOT use harsh chemicals or abrasive cleaners on this item.
- Never push, pull, or drag your furniture.



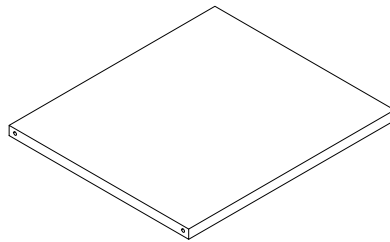
---

# Board Identification

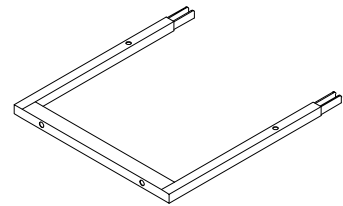
Not actual size



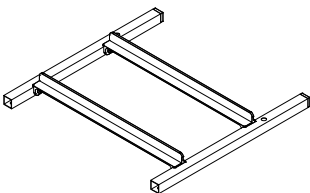
Ⓐ  
TOP  
Qty:1



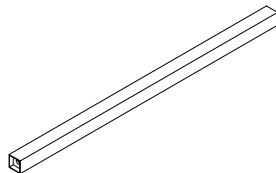
Ⓑ  
FIXED SHELF  
Qty:1



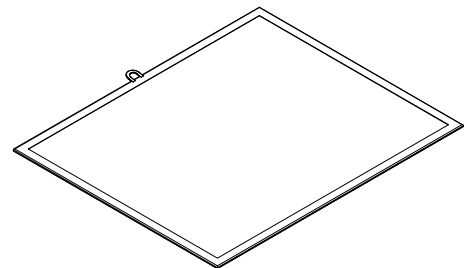
Ⓒ  
UPPER SIDE FRAME  
Qty:2



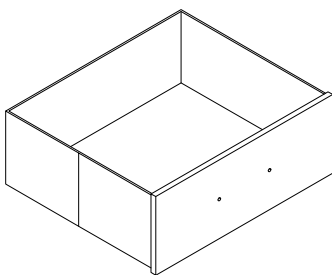
Ⓓ  
LOWER SIDE FRAME  
Qty:2



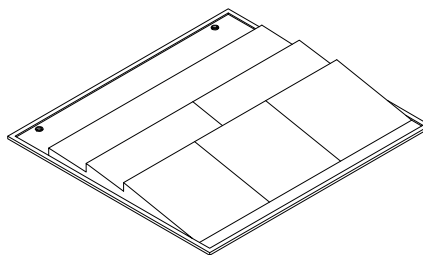
Ⓔ  
RAIL  
Qty:2



Ⓕ  
FABRIC BIN BOTTOM  
Qty:2



Ⓖ  
FABRIC BIN  
Qty:2

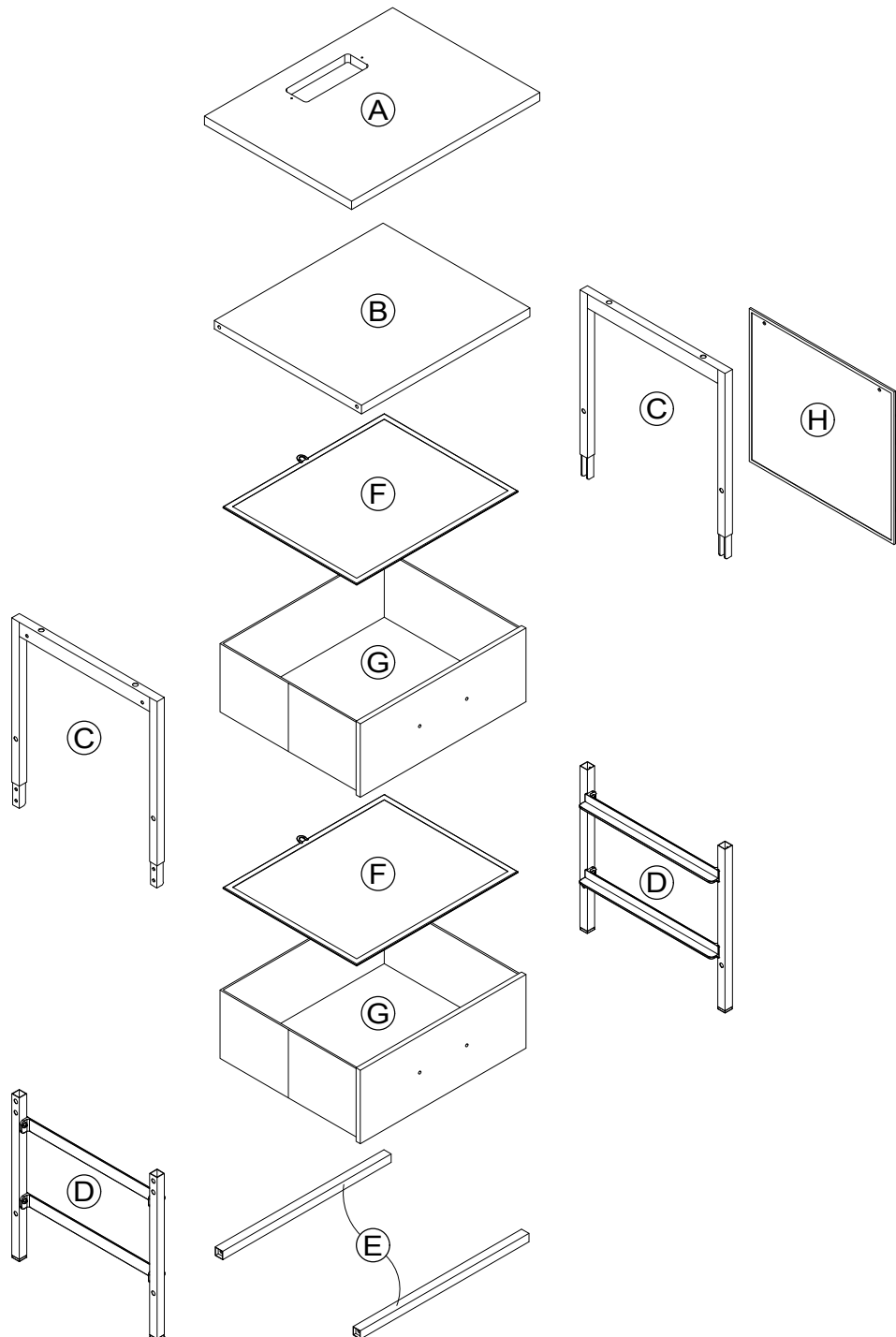


Ⓖ  
FABRIC BIN  
Qty:1

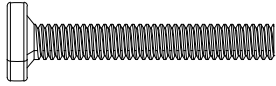
---

# Board Identification

Not actual size



# Part List

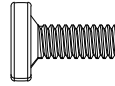


M6X35mm

1

X8

BOLT  
spare:1

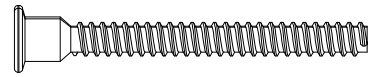


M5X12mm

2

X10

BOLT  
spare:1



Ø6.3X48mm

3

X4

SCREW  
spare:1

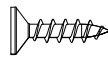


M4X14mm

4

X4

BOLT  
spare:1

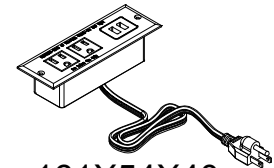


Ø3.5X14mm

5

X2

SCREW  
spare:1

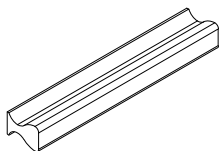


161X54X40mm

6

X1

SOCKET



110X10X16mm

7

X2

HANDLE

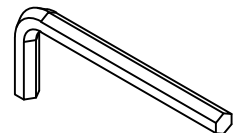


M6X18(Ø28)

8

X4

LEVELER



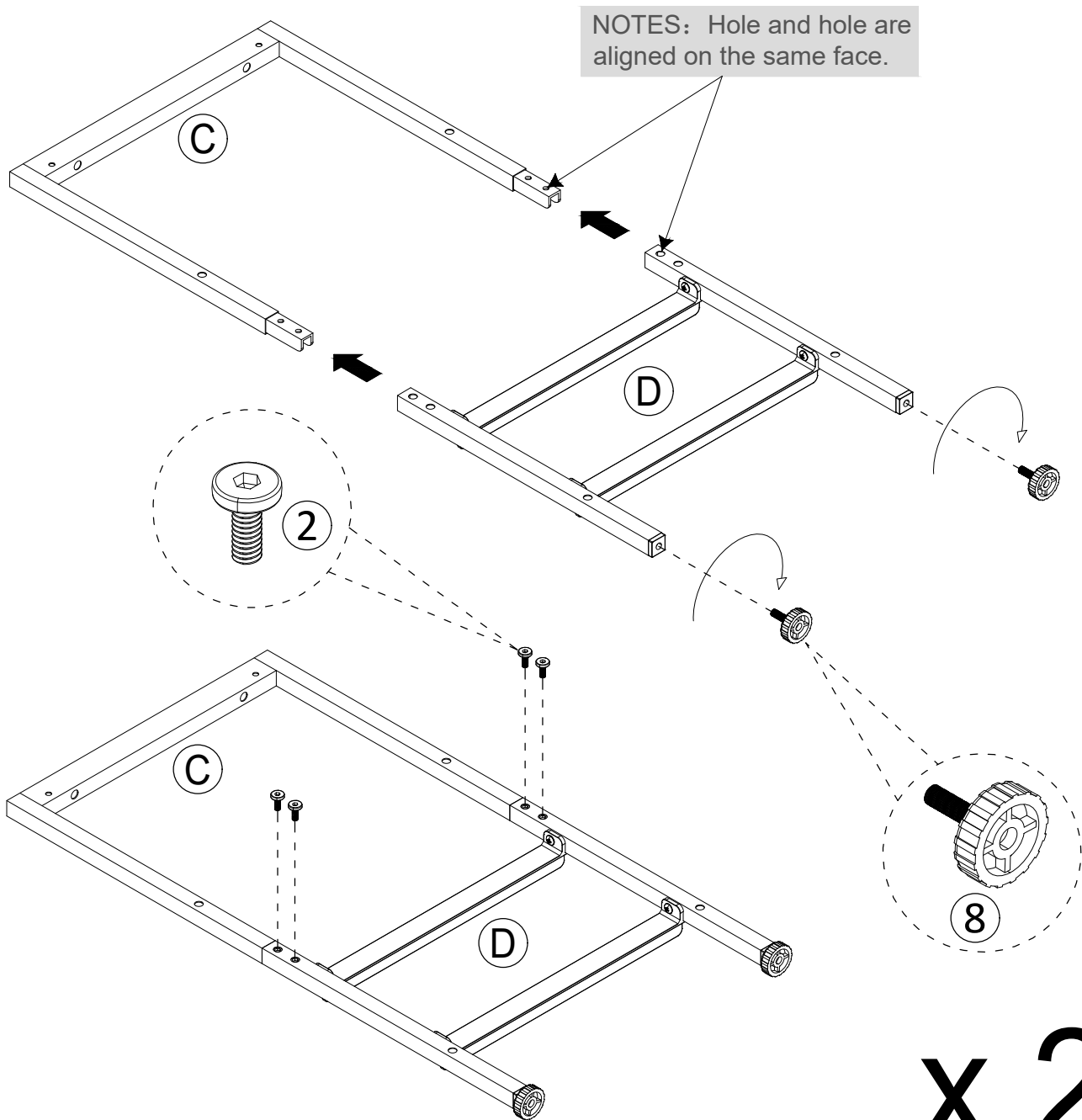
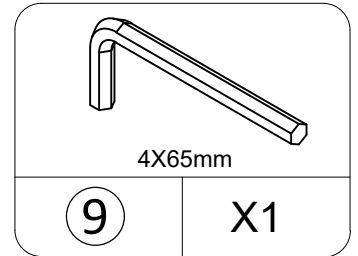
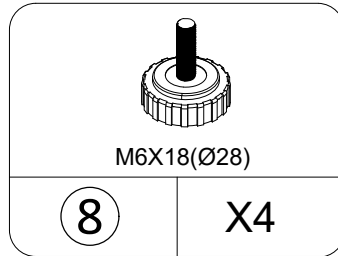
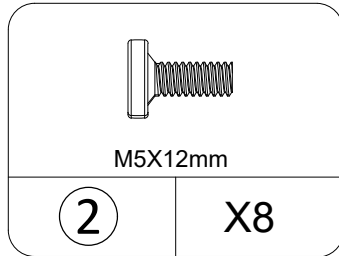
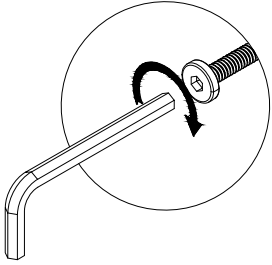
4X65mm

9

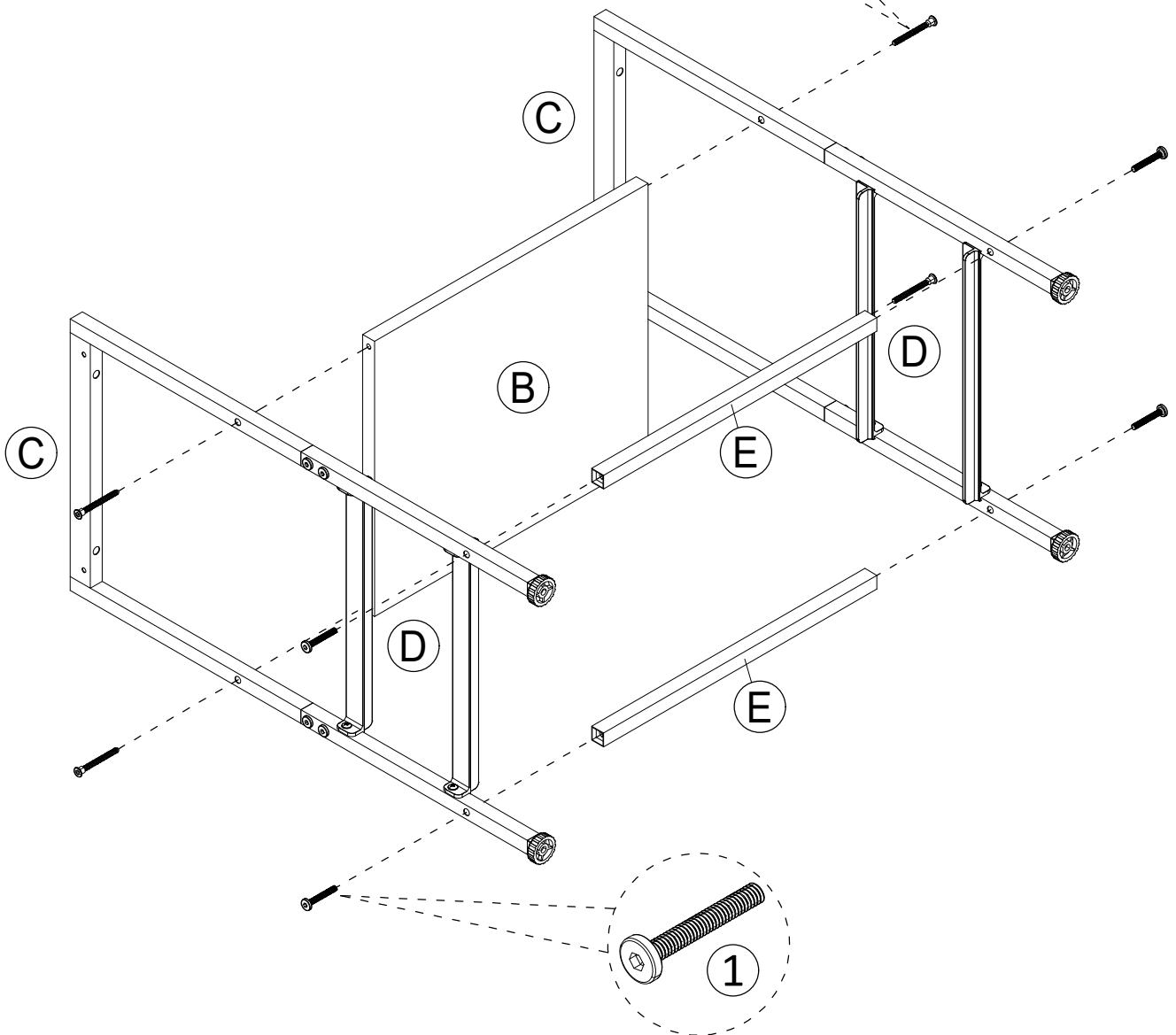
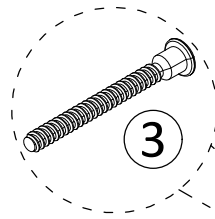
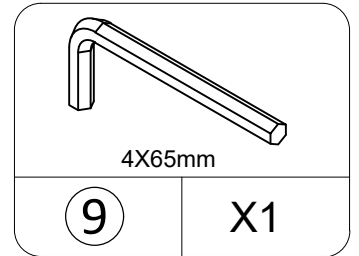
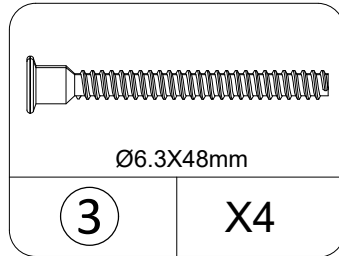
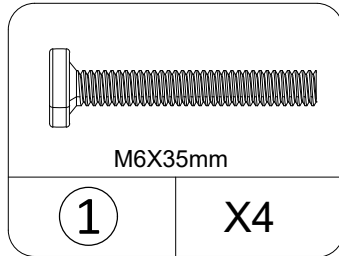
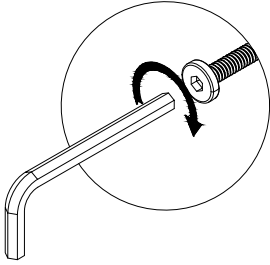
X1

HEXAGON WRENCH

# STEP1

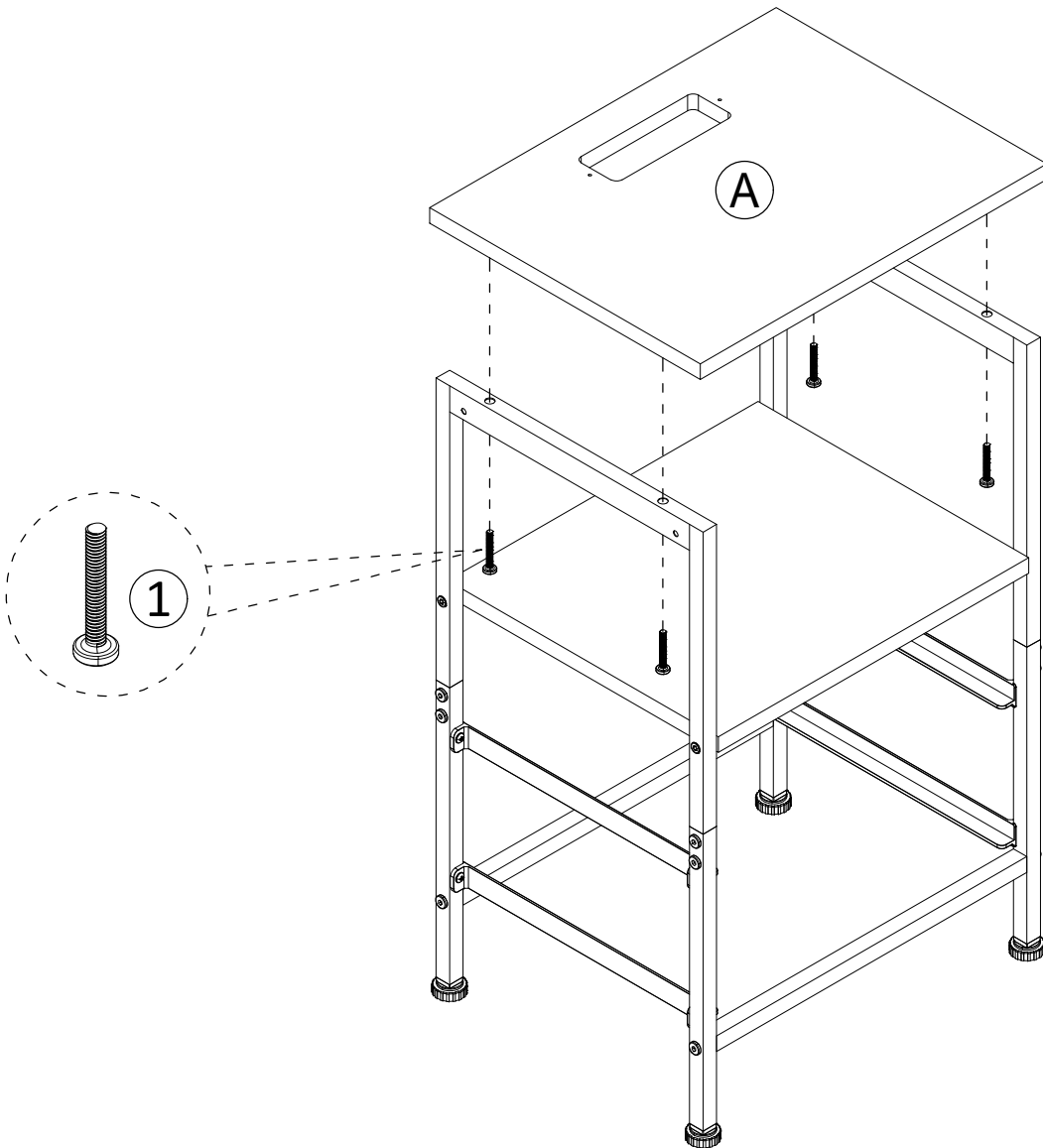
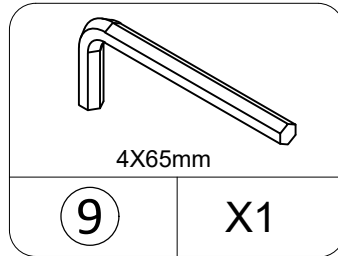
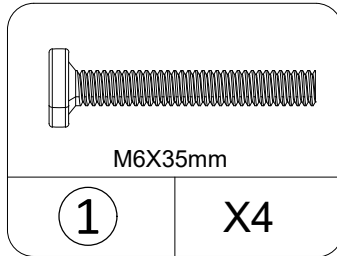
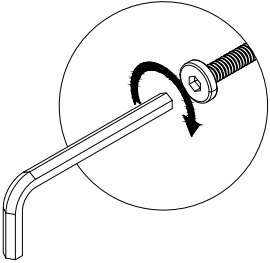


# STEP 2



# STEP 3

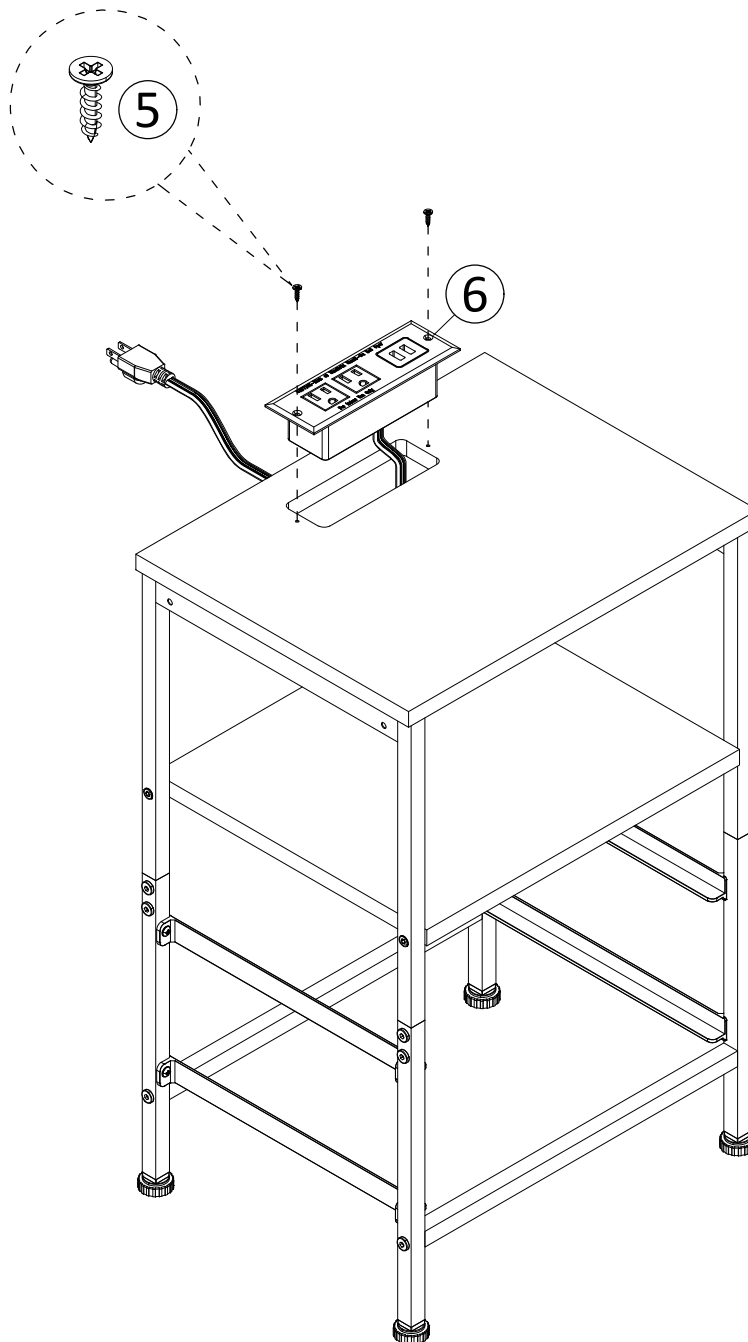
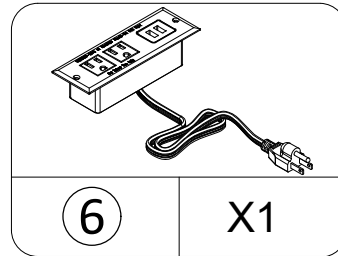
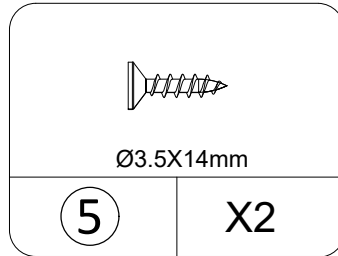
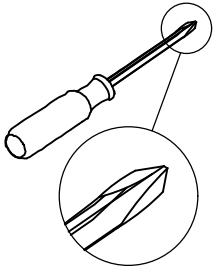
---



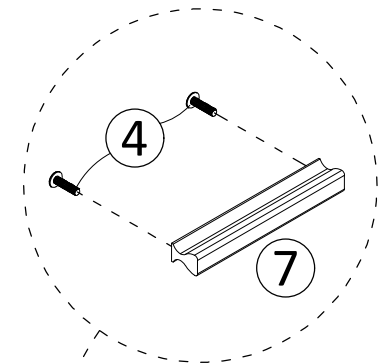
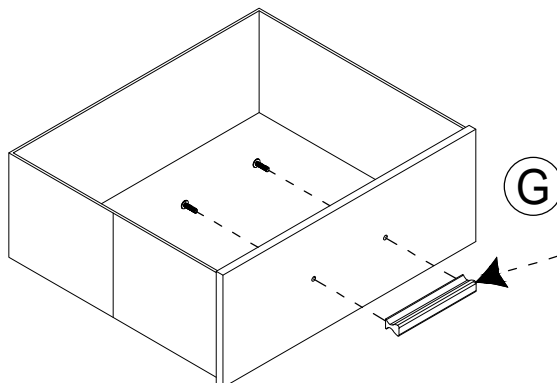
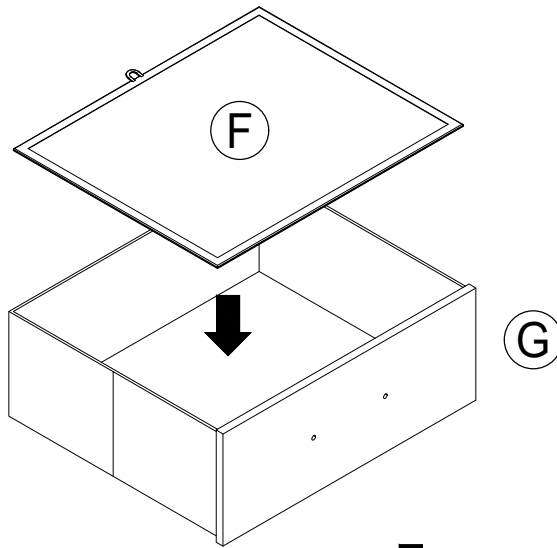
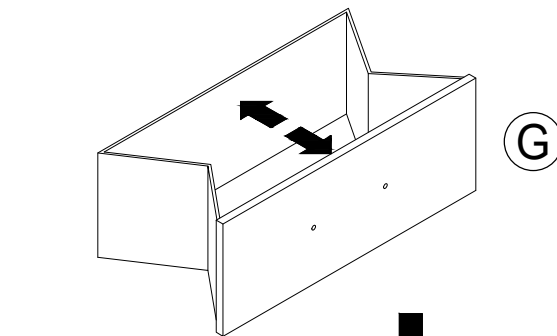
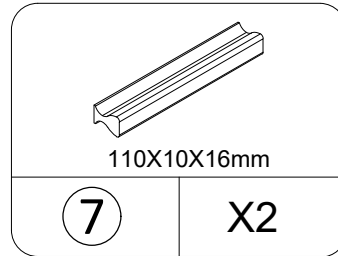
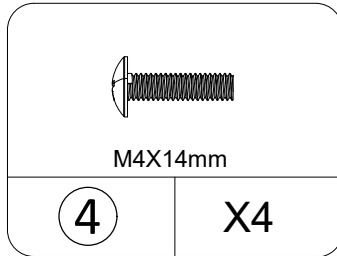
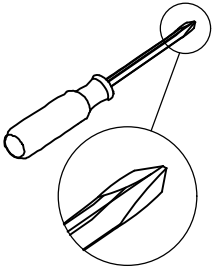


# STEP 4

---



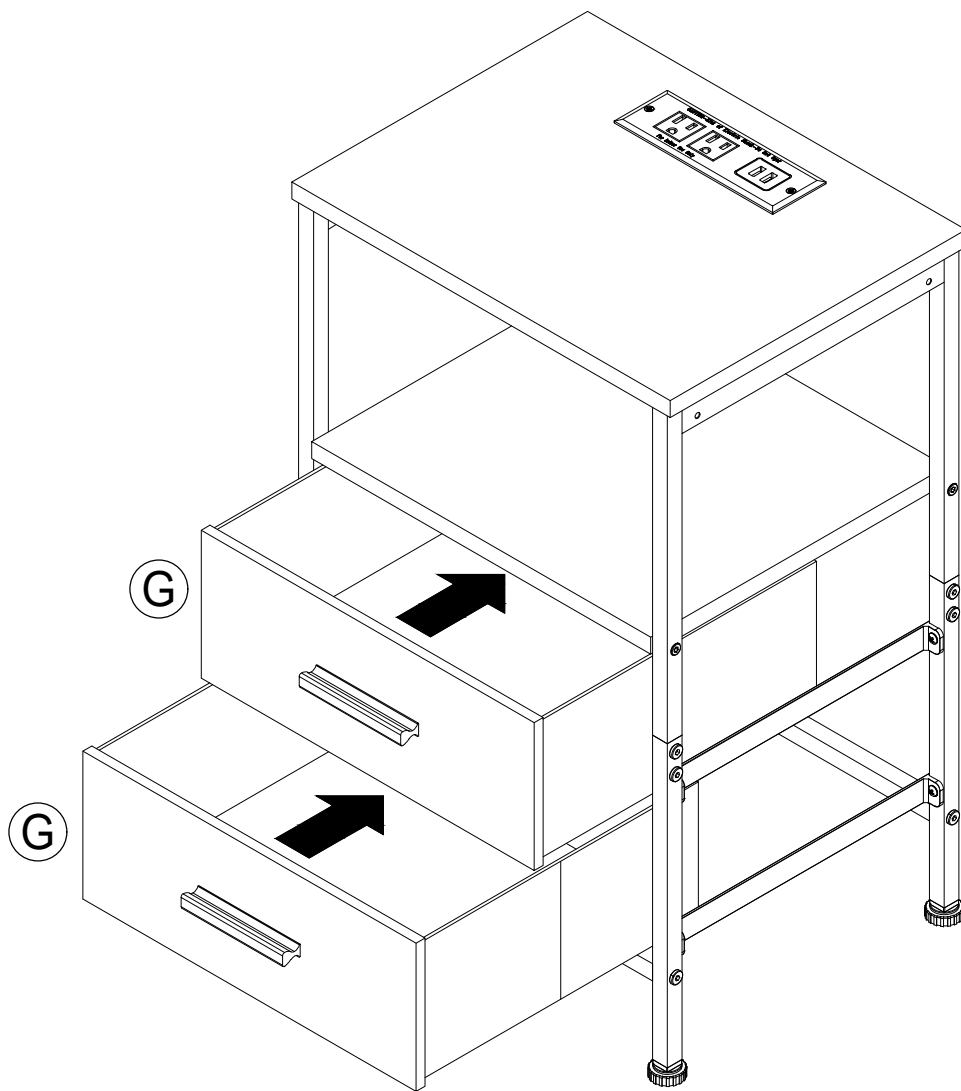
# STEP5



x 2

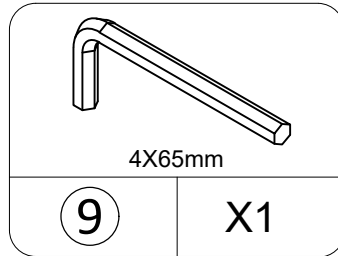
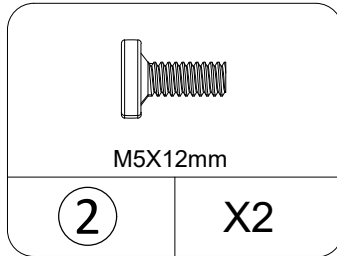
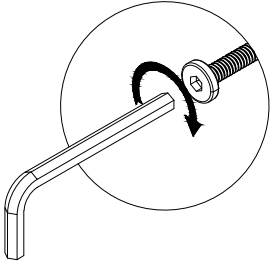
# STEP 6

---



# STEP 7

---



You can choose two directions to install the fabric bin as shown in the figure.

