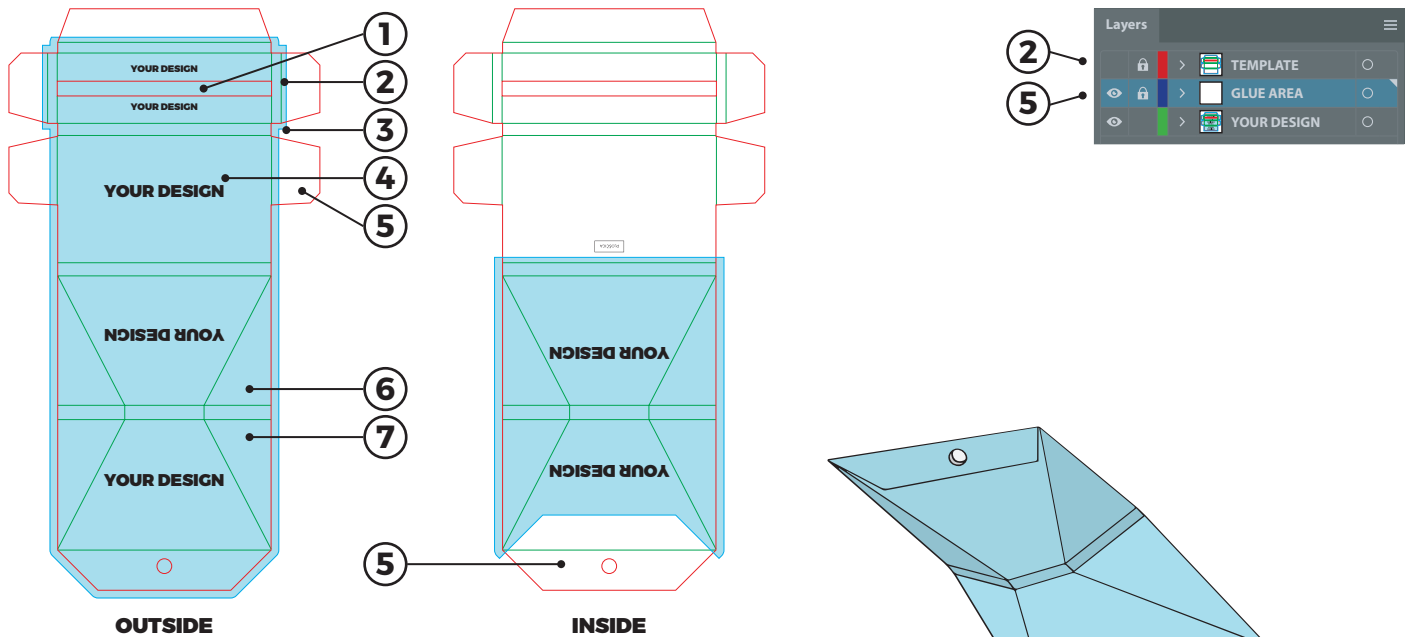


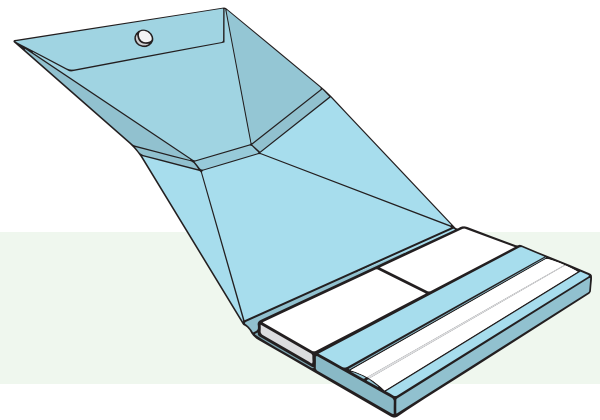
**THE TEMPLATE DESIGN INSTRUCTIONS FOR PRODUCT MAXI PACK 1 1/4+TIPS WITH A ROLLING TRAY**





To submit **PDF** or **EPS** files at [snailpapers.com](http://snailpapers.com) or to submit AI, PSD, PNG, PDF, EPS files to a sales representative over email.



**ORIENTING BOOKLETS' ELEMENTS**

Check your artwork in real-time with 360° product preview tool and make sure your design is positioned properly.



-  **BLUE AREA:** Final product printable design area.
-  **BLUE LINE:** Bleed line - the background design must be filled to the blue line.
-  **RED LINE:** Estimated knife cutting line. All important artwork must be placed at least 3 mm inwards.
-  **GREEN LINE:** Folding line.
- BEYOND BLUE LINE:** Non-printing area.
- IMAGES:** Images must be attached or embedded (in case of .ai and .eps files) into final design, not just linked. A JPG/JPEG and a PNG format are possible. We recommend a PNG format with 300 DPI.
- ROLLING PAPER LEAVES SLOT ①** The slot must be filled with the background design. It will not be visible in the final product.
- TEMPLATE LAYOUT LINES ②** The layout lines must not be visible. The template layer must be switched off or removed.
- BLEED AREA ③** Background design must be filled at least 3 mm over the cutting line or at least to the blue line.
- OUTLINED TEXT ④** All text must be in curves.
- GLUE/BIDING AREA ⑤** The glue/biding area must be without design or background.
- RESOLUTION ⑥** Resolution of all design elements must be 300 DPI.
- COLOUR MODE ⑦** Only CMYK colours are possible to print. Contact the sales representative for more options.
- SPECIAL FINISHES:** All special finishes (partial UV gloss, partial matte finish, partial soft touch, partial gold or other foil, embossing, debossing) require an extra template file. This file requires only concerned elements in a negative form.
- DESIGN CHECK:** You can always choose between BASIC or FULL DESIGN CHECK done by our print specialists to ensure the best experience.
- TRADEMARKS:** You take full responsibility for the use of trademarks in your submitted design.
- ERRORS:** Please review this proof very carefully before approving it for production. Although we make every effort to ensure no errors or omission are made, mistakes happen. It is the responsibility of the client to confirm that the artwork, text, and graphics contained in the proof are accurate and complete.
- FILE FORMATS:** PDF or EPS.
- PRINT DIFFERENCES:** We will not check the design difference between the original design, 3D online preview, PDF file and print file. Some colour difference is possible.
- FINISHED PRODUCT:** We print only in CMYK colours. A colour difference between a screen and a final product is possible.

**YOUR DESIGN**

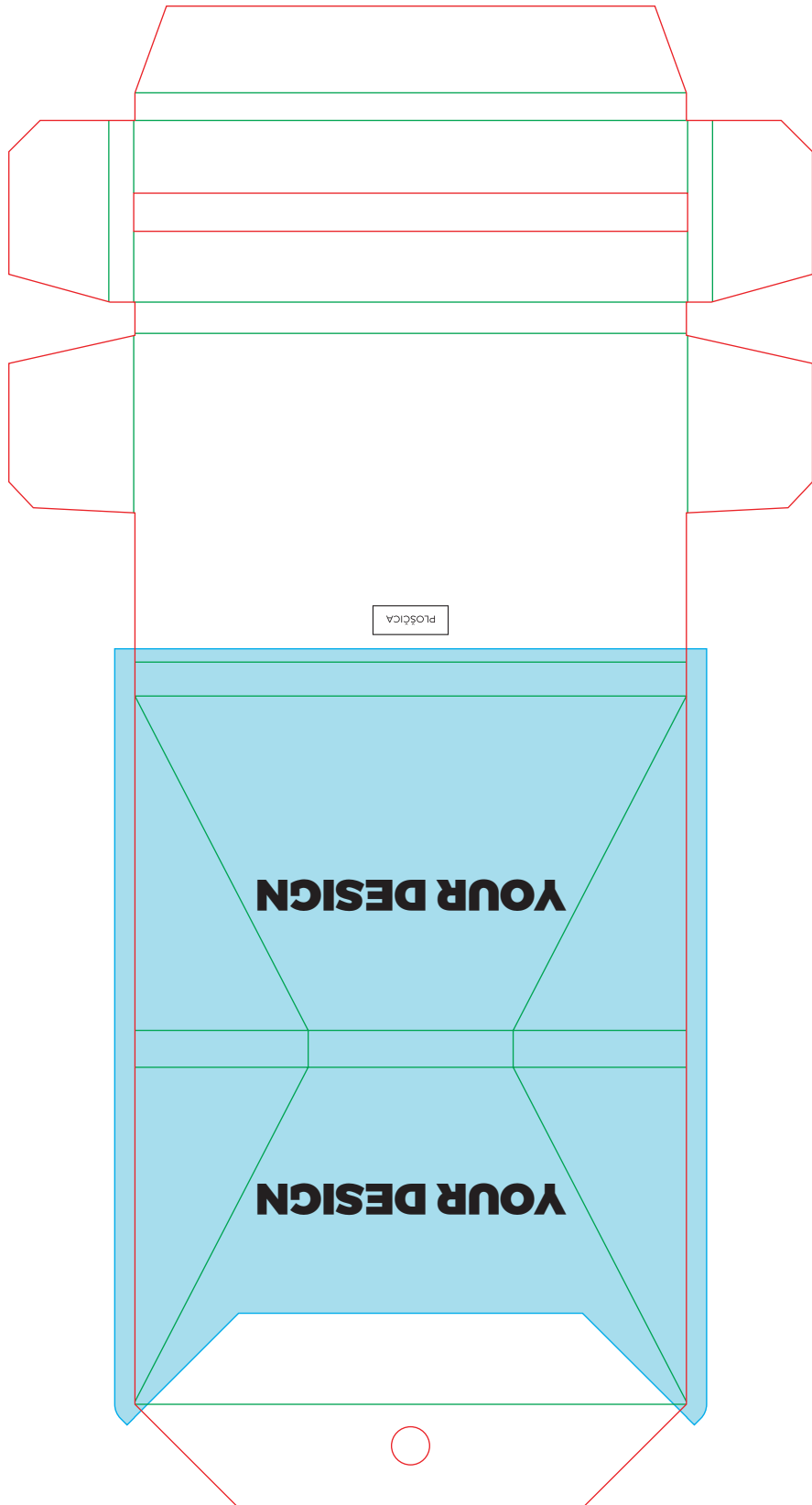
**YOUR DESIGN**

**YOUR DESIGN**

**YOUR DESIGN**

**YOUR DESIGN**





POSTICA

**YOUR DESIGN**

**YOUR DESIGN**



**YOUR  
DESIGN**

**YOUR  
DESIGN**

**YOUR DESIGN**

**YOUR  
DESIGN**

**YOUR DESIGN**