



THEBARNDOORHARDWARESTORE.COM



Single Track Ceiling Mounted Barn Door
Hardware Kit Installation Manual

SAFETY PRECAUTIONS

WARNING!

- Power tools can cause serious damage if not professionally used. Safety gear must be worn before installation to prevent unexpected injuries.
- Pick an area free of hazardous condition before you start on the project. Please use tools and power tools responsibly any loss of control and accident deaths may occur due to abuse of tools.
- Please make sure all hardware is secured on to the door is sufficiently tight.
- All hardware provided is for safety reasons. Anti-Jump systems are to prevent doors from falling off the track while in use. Please follow each instruction carefully. Track must be installed on studs in order to keep the track and doors secure from serious problems. All safety hardware and instructions included in this project must be used and followed specifically to prevent any unforeseen serious problems.

CAUTION!

- Big objects required in this project are needed to be carefully and responsibly moved. Be sure to wear safety gloves and shoes to prevent any serious injury.
- Be extremely careful to not put any parts of your body against a moving part of the hardware. This may cause bruising, punctures, and other results of injuries when for example when fingers are caught in the closing area of the doors.
- Precautions should be taken when opening or closing the doors). Handles should be used when attempting to slide the doors). Always keep you and children aware and safe from any unexpected situations.
- Any extreme uncontrolled pressure opening or closing the doors) can damage the hardware gradually. Use handle(s) to open and close the doors) with care at all times.

HARDWARE INCLUDED

Different track length comes with different hardware quantity. Please be sure to check the hardware you should have before installation.

HANGER / ROLLER SET

Hex Bolt Set (4)

Anti-Jump Pad (2), Floor Guide (1)

Door Stopper (2), Hex Wrench (1)

JUNCTION PLATE

Please check the Hardware Checklist below, for this item you may not need any.

CEILING MOUNT BRACKET SET

Bracket (1)

Lag Bolt (2)

Track Connector(1)

FLAT TRACK

HARDWARE CHECKLIST						
Track Measurement	Hanger/Roller Set for Single Door Kit	Hanger/Roller Set for Double Door Kit	Flat Track	Ceiling Mount Bracket Set	Junction Plate	
4FT	1	2	1	3	0	
4.5FT	1	2	1	3	0	
5FT	1	2	1	4	0	
5.5FT	1	2	1	4	0	
6FT	1	2	1	5	0	
6.6FT	1	2	1	5	0	
7FT	1	2	1	5	0	
7.5FT	1	2	1	6	0	
8FT	1	2	1	6	0	
9FT	1	2	2	6	1	
10FT	1	2	2	8	1	
11FT	1	2	2	8	1	
12FT	1	2	2	10	1	
13FT	1	2	2	10	1	
14FT	1	2	2	10	1	
15FT	1	2	2	12	1	
16FT	1	2	2	12	1	
18FT	1	2	3	15	2	
20FT	1	2	3	15	2	

TYPES OF HANGERS

Please follow the measurement stated below, measuring from the top of the door to the center of the first hole.



PRE-INSTALL NOTICE

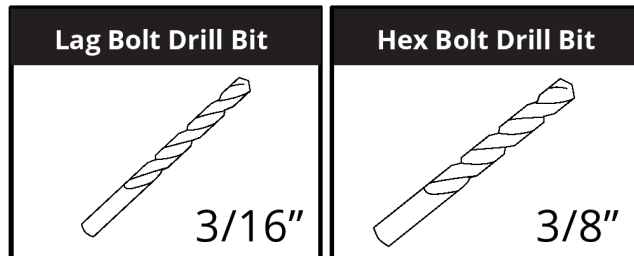
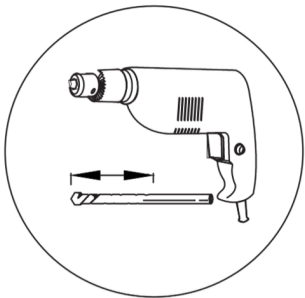
DOOR THICKNESS

Make sure the door you use is within the thickness of 1-3/8" ~ 1-3/4". Consider getting different size hex bolts for the rollers when it falls out of the door thickness range since the one provided in the box may only fit the range above. You can find hex bolts on our site.

HEADER BOARD

A header is suggested when the studs do not line up with the track.

DRILL BIT SIZES



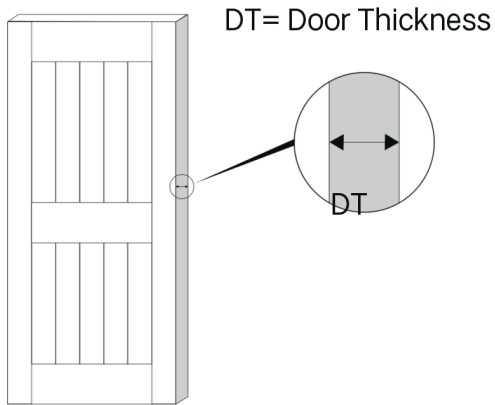
DOORWEIGHT

This hardware total weight capacity is 220lbs. If all the studs are attached to the track and installed properly the weight capacity may go up to 300lbs maximum in total for all doors combined.

WHAT HEIGHT DOOR DO I NEED?

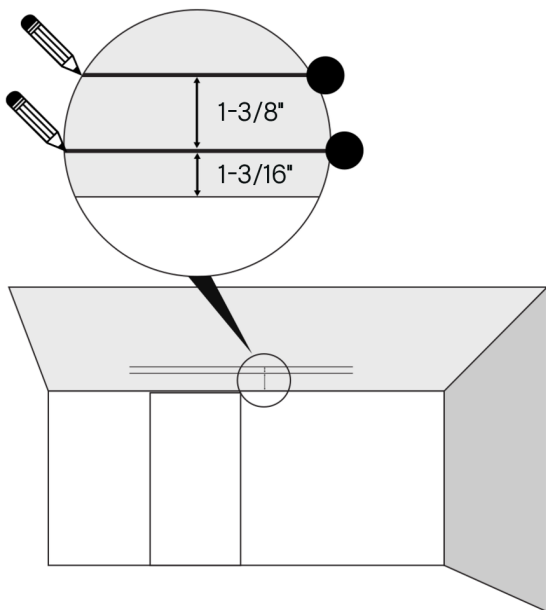
Height of Room - 6-1/4" - Header Board Thickness = Door Height

INSTRUCTIONS



Check your door thickness. If it is 1-5/8" or less you can mount the bracket against the wall while mounting on the ceiling studs. If it is more than 1-5/8" thick, the bracket has to be mounted further from the wall on the ceiling.

STEP 1

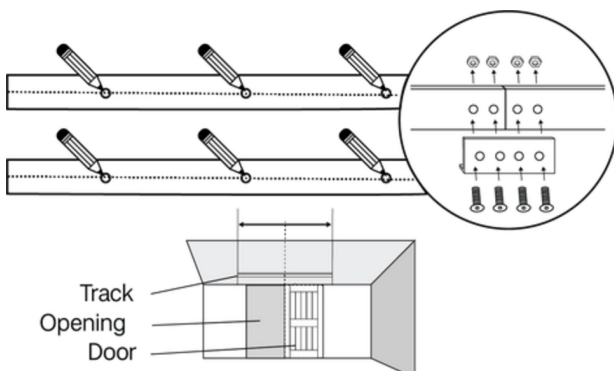


Make sure you have ceiling studs for this setup! Use a leveler to make sure your ceiling is leveled. Draw 2 lines on the ceiling parallel to the wall. Line 1 is 1-3/16" away from the wall and Line 2 is 13/8" away from line 1.

REMINDER:

If the studs do not line up please use a header board of 1" at least. Keep in mind this also minimizes the height of the door needed for this setup. Check page 3 for pre-install notice.

STEP 2



Assemble junction plate first if included with your kit.

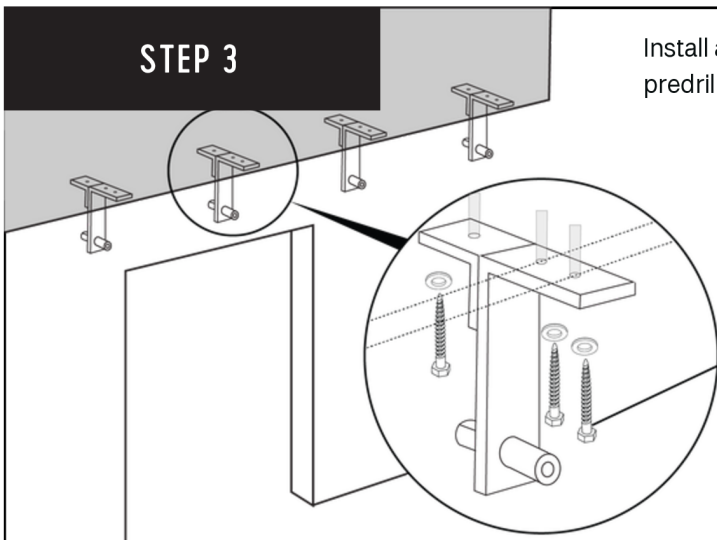
Put the track against the ceiling (you will need an extra hand for this) and mark up the holes on the previous line drawn. Then drill pilot holes using 3/16" drill bit.

Make sure the track spans in the middle of the opening and where the door sits when opened.

If your track comes in 2 pcs or more, install the junction plate on to each two tracks like the diagram shown here.

STEP 3

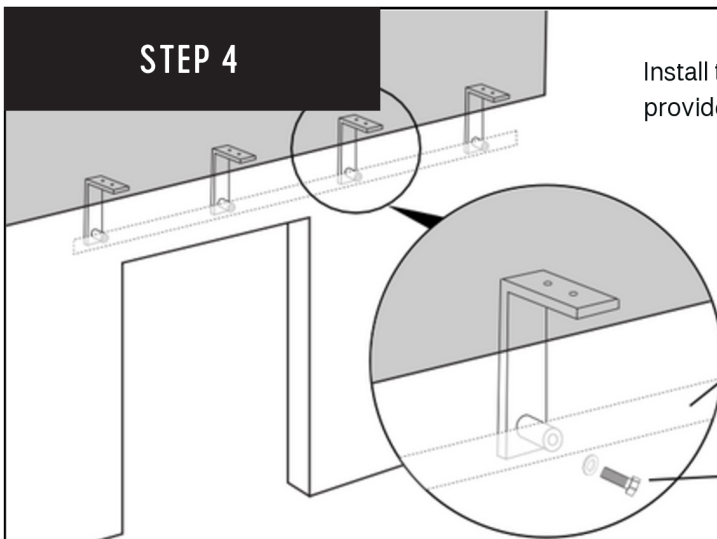
Install all the Brackets like the diagram shown on to the predrilled holes with the Lag Bolts provided.



Lag Bolts

STEP 4

Install the track on to the brackets with the track connector provided.

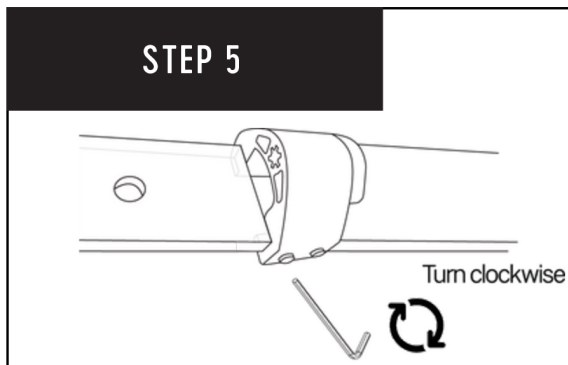


Track

Track Connector

STEP 5

Install the door stoppers on each end of the track like the diagram with the hex wrench. This door stopper is adjustable. You can change up the position however you like by just sliding it on the track and tightening it where you need it to be. It slides over all lag bolt head making it easy to install.



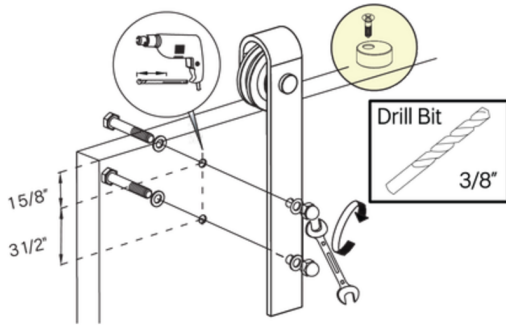
Turn clockwise

STEP 6

Route a slot that is 1/4" wide and 1-3/16" deep at the bottom of the door for all three doors. If you do not want to open a slot underneath your doors, we provided a 2-in-1 floor guide which will show 2 mounting ways on step 11. If you would like to purchase special floor guides not provided you can look up "floor guides" in the search bar of our website to see all the types of floor guides we sell.



STEP 7

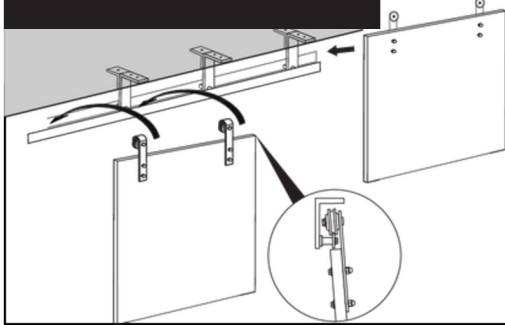


Install the anti-jump pads on top of the door as shown on the picture, it is suggested to mount them right below the track. Two is provided for each door. One on each end.

Drill the holes for the hanger according to the dimension given in the picture. The distance between the top edge of the door and the center of the upper hole is 1-5/8". The distance between the side edge of the door and the hanger is up to your choice. Typically around 1" to 2". Next, install the hex bolts and acorn nuts as shown in the picture.

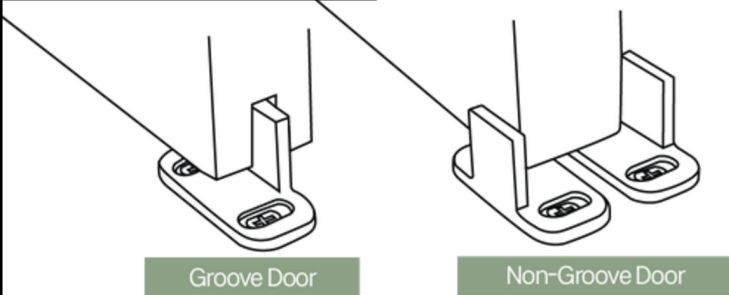
Please follow the diagram above on how the hex bolt, washers and nut should be installed on the door and hangers. Do not install them any other way since it may interfere with the function of the sliding system.

STEP 8



To mount your doors on to the track, you will have to lift your door at a slight angle and rest both wheel grooves onto the top of the track carefully. For the track nearest to the wall you will have to slide it from one side but make sure to take out the door stopper for the side you are about to slide it in to.

STEP 9



For the floor guides of we recommend to install the regular floor guide in your own location preference depending on how you want your door to slide. Here below is a diagram of the 2 ways you can use the given floor guide. If you are looking for different floor guides please check out our website. Type in "Floor Guide" in the search bar of our website and you will be able to find a few types.

YOUR INSTALLATION IS COMPLETE!



Have questions?

Don't hesitate to reach out to Evan at evan@thebarndoorhardwarestore.com.