

**INSTRUCTION
MANUAL**

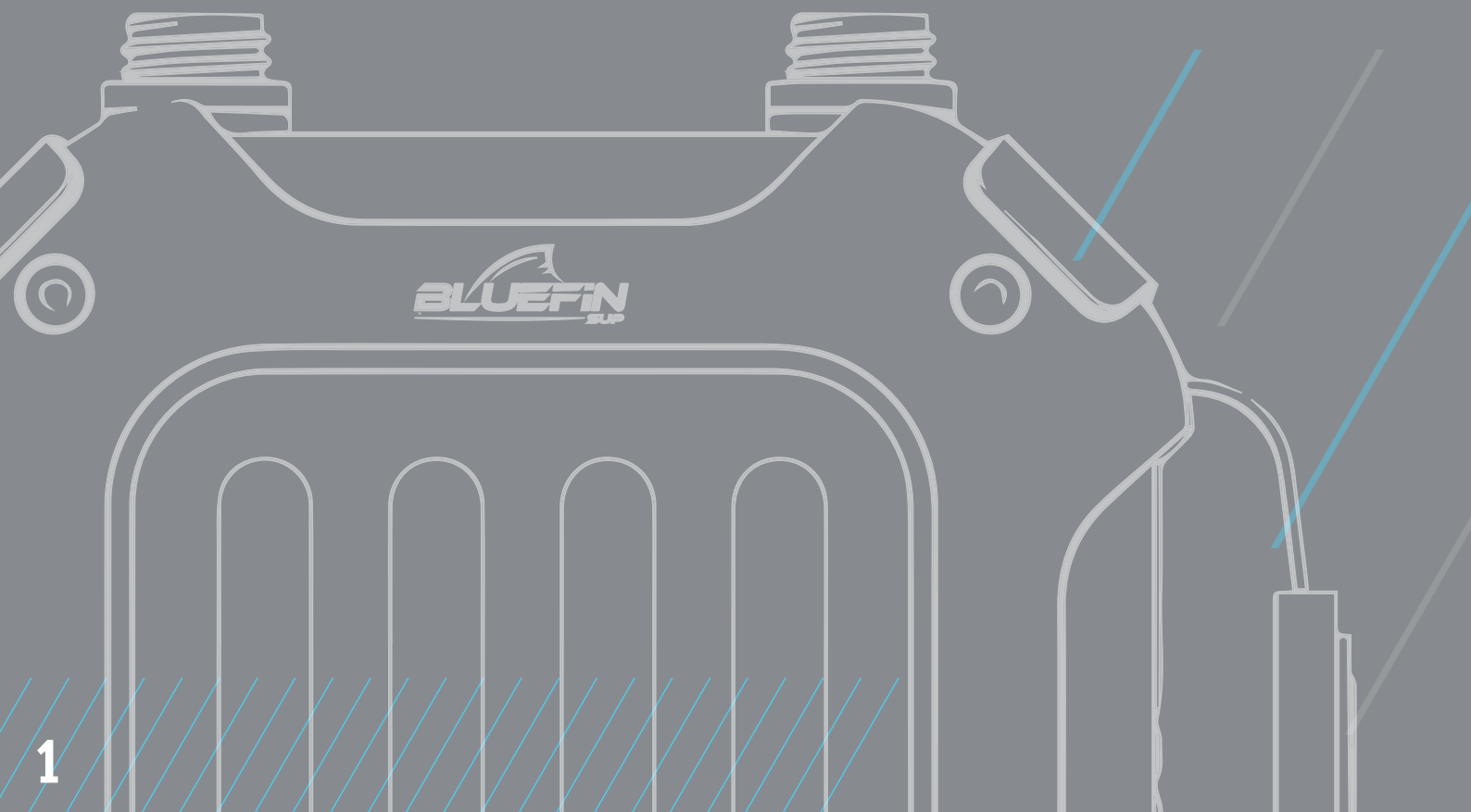
E-SWIFT

20 PSI AIR PUMP

CONTENTS

PAGE

Parts List	2
Inflation Process	4
Deflation Process	5
Safety Instructions	6
Precautions	7
Troubleshooting	8
Breakdown Cover	9



WELCOME TO THE CLUB

Hey,

Welcome to the Bluefin SUP community! We're glad to have you on board. Your journey with us doesn't end at the point of purchase.

As a member of our community, you're entitled to many benefits including lifetime support from our customer service team and an extended warranty on all our products. Remember to activate your warranty by scanning the QR code (see 'Breakdown cover') or by visiting our website.

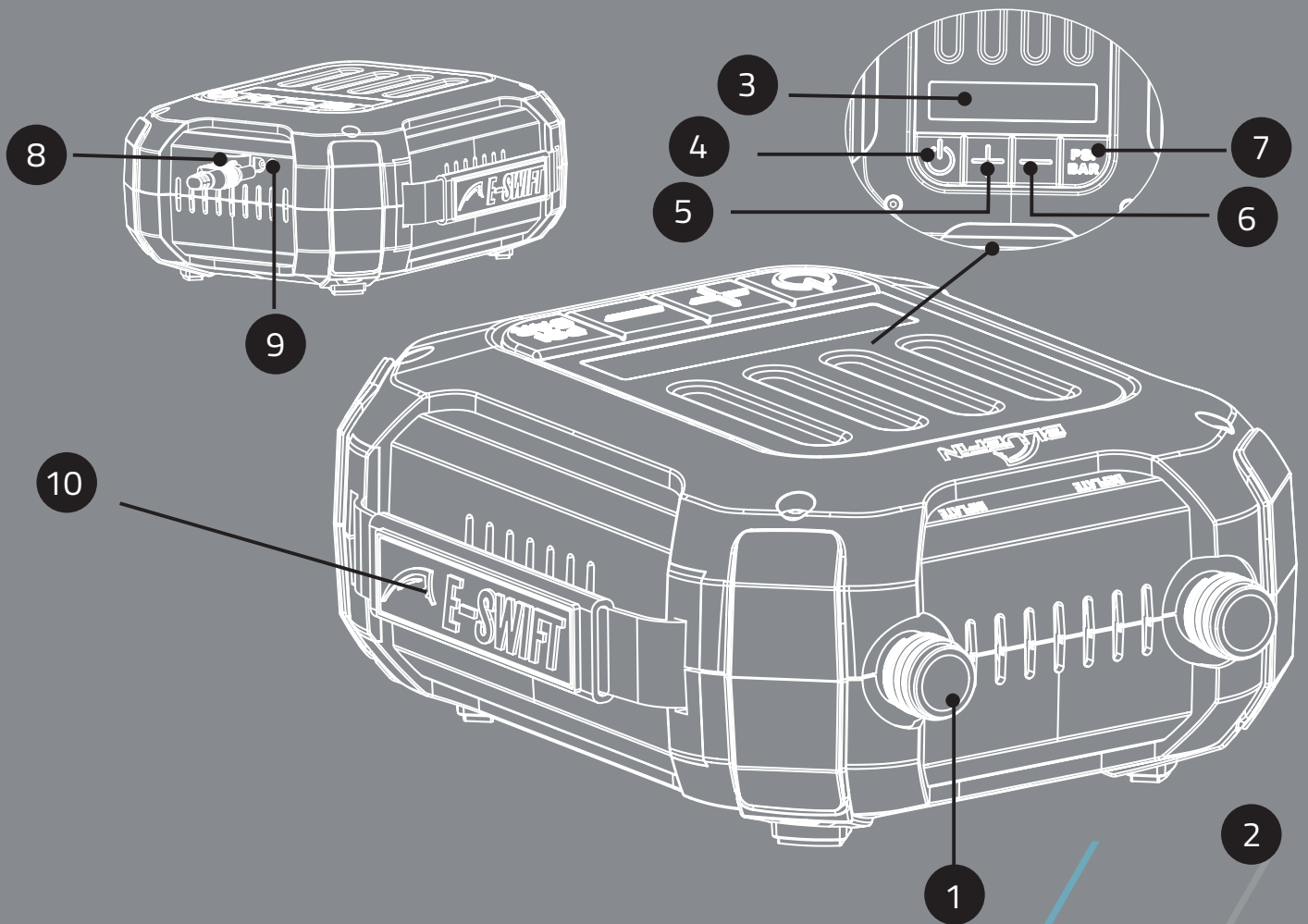
We hope you enjoy your product and choose to explore the full Bluefin SUP range. To get the best of your product, we recommend that you read and refer back to the contents of this manual.

You can also find additional help and resources at www.bluefinsupboards.com.

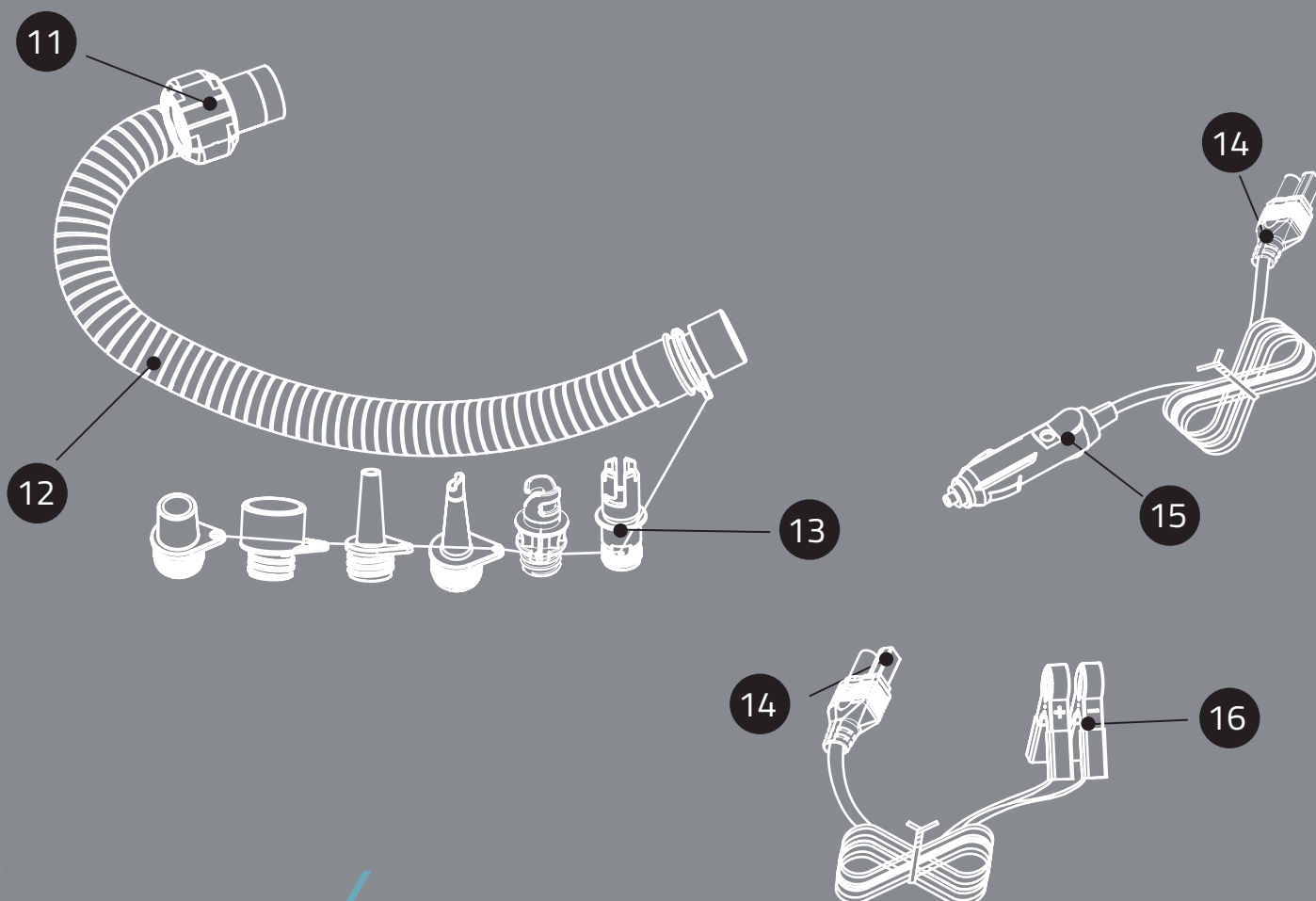
The Bluefin SUP team

E-SWIFT

PARTS LIST



- ① Inflation inlet
- ② Deflation outlet
- ③ Pressure value display
- ④ On/Off button
- ⑤ Pressure increase button
- ⑥ Pressure decrease button
- ⑦ Pressure unit toggle button
- ⑧ Silicone power cover
- ⑨ Power input
- ⑩ Webbing handle

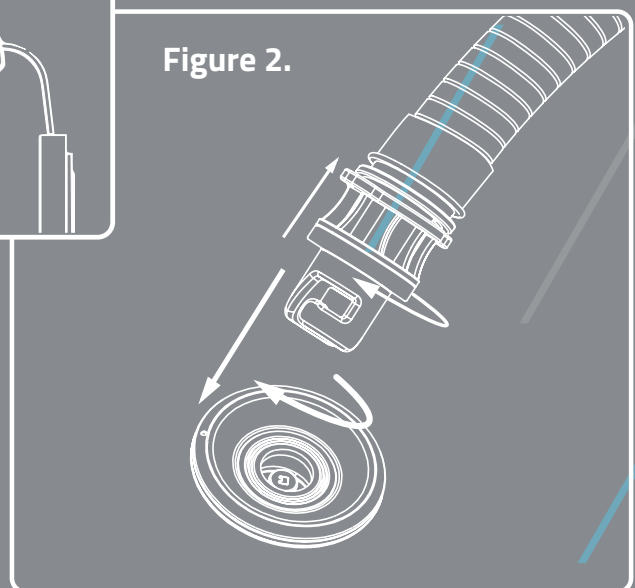
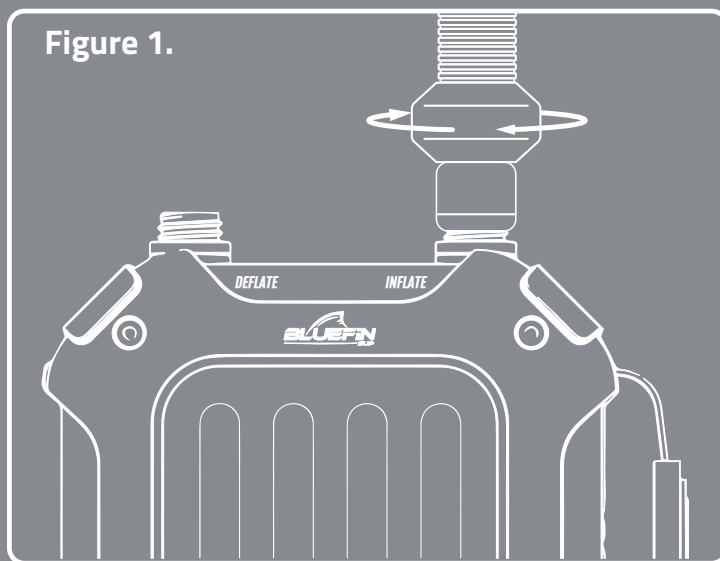


- ① Pump hose fixing
- ② Pump hose
- ③ Hose nozzle adapters
- ④ Power connector
- ⑤ 12V Power adapter
- ⑥ Battery power clips

INFLATION PROCESS

Connecting The Hose

Connect the pump hose fixing to the inflation inlet and twist clockwise to tighten it, as **Figure 1**. Install the required nozzle adapter to the other end of the hose and twist clockwise to tighten it. Insert the nozzle adapter into the inflatable and twist clockwise to fix it as **Figure 2**. Some Inflatables need a different nozzle adapter so please check the manufacturers guidance on this before choosing the correct one.

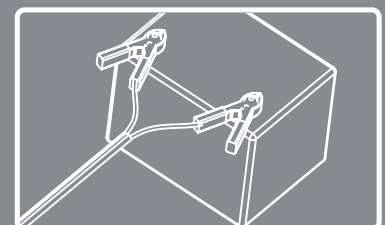
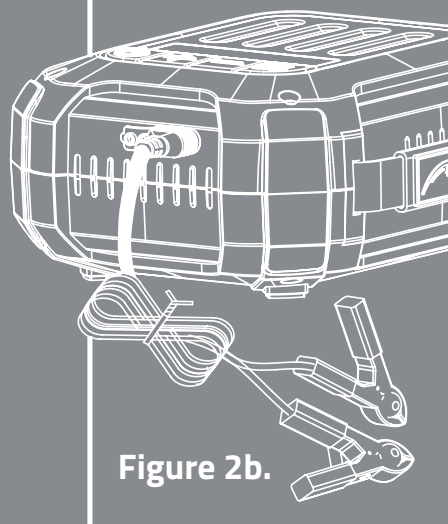
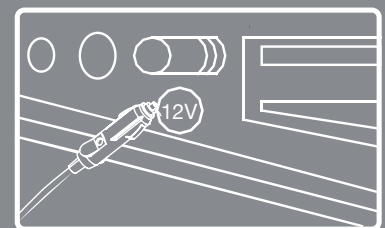
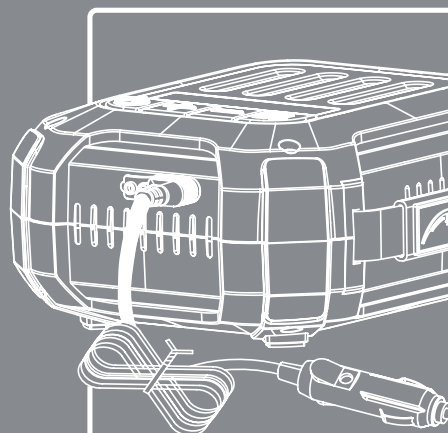
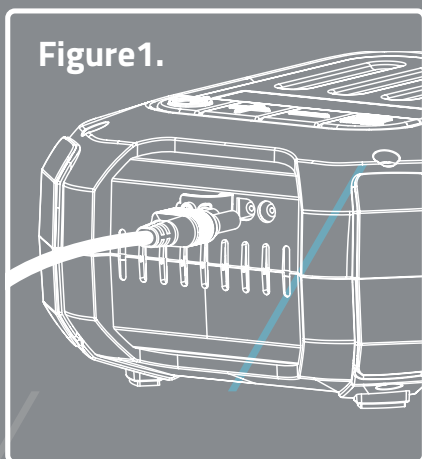


INFLATION PROCESS

Connecting The Power

Lift the silicon power input cover and insert the power connector into the power input on the pump as **Figure 1**.

Insert the 12V power adapter into a 12V DC socket as **Figure 2a**. Alternatively connect the battery power clips to a battery on its positive and negative poles (the red colour to the positive pole and the black colour to the negative pole) as **Figure 2b**.

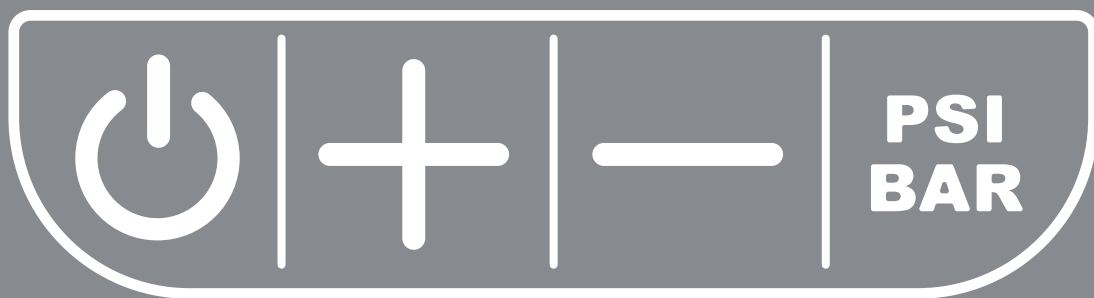


INFLATION PROCESS

Operating The Pump

Press the pressure unit toggle button **PSI
BAR** to select the unit you need.

Press the pressure increase button **+** or decrease button **-** to set the required pressure value you need. The pressure value can range from 0 to 20PSI.



After finishing the above steps, press the On/Off button **⏻** to start to inflate.

During the inflation process, you can press the pressure increase or decrease button to change the pressure value, press the pressure unit toggle button to switch the unit, and press the On/Off button to stop.

Press and hold the On/Off button for 3 seconds to start the pump using the most previously used pressure value.

Check that this does not exceed the limit for your current inflatable to avoid causing any damage.

When the pressure reaches the set value, the air pump will stop working automatically.

DEFLATION PROCESS

Switching To Deflate

Remove the hose from the inflation inlet, Connect the pump hose fixing to the deflation outlet on the pump, and twist clockwise to tighten it, as **Figure 1**.

Connect the nozzle end of the hose to in inflatable.

Press the On/Off button on the pump to start the deflation function until all the gas is removed, then press the On/Off button to stop the deflation.

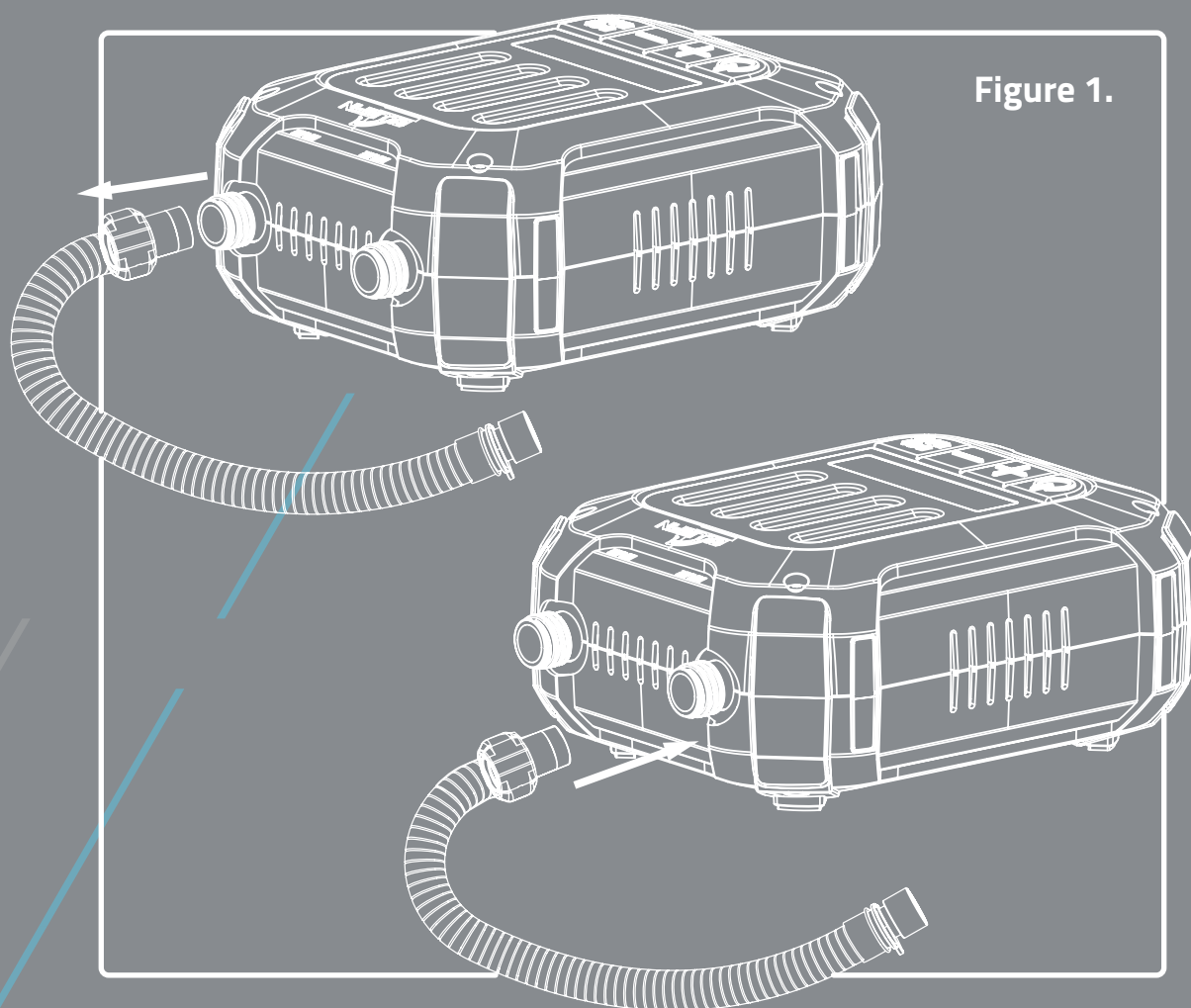


Figure 1.

TROUBLESHOOTING

Fault	Inspection	Solution
The pump will not start	<ol style="list-style-type: none">1. The power is not connected properly.2. The motor is overheated or overloaded, causing motor stalling.	<ol style="list-style-type: none">1. Make sure that the power cord is plugged into a 12V DC electric outlet.2. Allow the motor to cool before restarting.3. If the problem cannot be solved, please contact the Bluefin customer service team.
Slow or abnormal inflation.	<ol style="list-style-type: none">1. Check whether the hose is blocked or cracked.2. The joint between the hose and air pump or air bag is not installed properly.	<ol style="list-style-type: none">1. Make sure the hose is not blocked, and check whether the hose is cracked.2. Reinstall the hose.3. If the problem cannot be solved, please contact the Bluefin customer service team.
E2 on the display	<ol style="list-style-type: none">1. Forced shutdown when the temperature has reached 100.	<ol style="list-style-type: none">1. Allow the motor to cool before restarting.2. If the problem cannot be solved, please contact the Bluefin customer service team.
E3 on the display	<ol style="list-style-type: none">1. Shutdown protection without increasing air pressure.	<ol style="list-style-type: none">1. Check for air leaks.2. If the problem cannot be solved, please contact the Bluefin customer service team.

SAFETY

The applied power source must be the 12V DC power source as Figure 1.

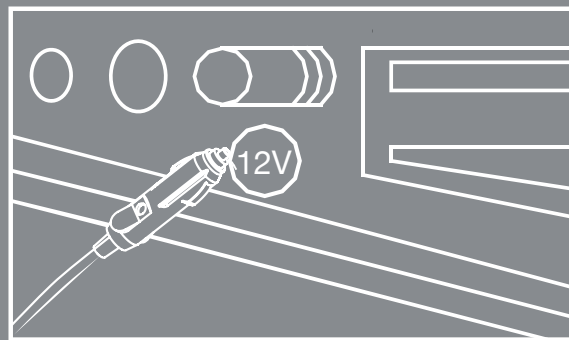


Figure 1.

Do not block the inflation inlet and deflation outlet, and ensure that the inflation inlet and deflation outlet shall remain smooth at all time.

Disposal: Do not dispose of this product as unsorted waste. It must be collected separately for special disposal.

Do not use this product when the hose is damage. Please change the hose immediately. Do not pull out the hose when inflating, this may cause physical bodily injury.

Don't use the air pump work for more than 20 minutes, this may cause the motor to overheat and create internal damage. Let the air pump cool for 30 minutes after being used continuously for 30 minutes.

Do not use the air pump if any part is damaged, and please contact Bluefin customer service. In order to prevent risk, do not face the inflation inlet at the face or body. Please do not leave unattended whilst inflating.

PRECAUTIONS

Warning: In order to reduce the risk of injury, please keep children away from the pump and any power wires. Always supervise children when using the pump.

Warning: The pump should be kept away from and not submerged in water.

Warning: Before moving, maintaining, repairing or adjusting this product, please first pull out the DC plug from the socket.

Warning: Make sure the wire is safe when in use and cannot be damaged by any other equipment.

Warning: If the power wire is damaged, the pump must not be used.

Warning: If you are standing in a place with water or your hands are wet, please don't use the power cable.

Warning: Before inflating, please check the maximum bearable pressure of the inflatable product to prevent any damage.

Warning: Before using the 12V adapter, please check the 12V socket to make sure that there is no rust or residue inside. Poor electrical conduction may cause overheating of the product or power source, which will damage the pumps.

Warning: Use the product responsibly and follow all guidance in the instruction book.

Warning: Do not use the product around any flammables.

Warning: Use the product at an ambient temperature of no more than 40 degrees.

Warning: Make sure the hose, the switch, 12V power adapter and the digital display work prior to use.

Warning: Keep away from heat sources, humidity, dust and direct sunlight.

Warning: Do not throw this product into a fire for fear of explosion or other danger.

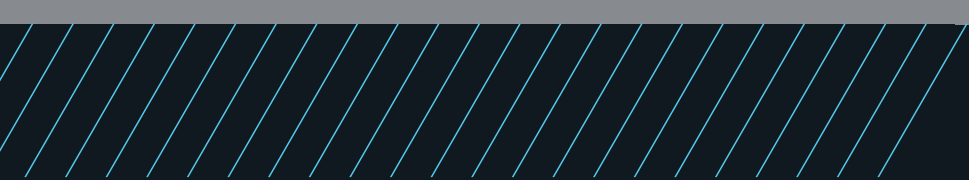
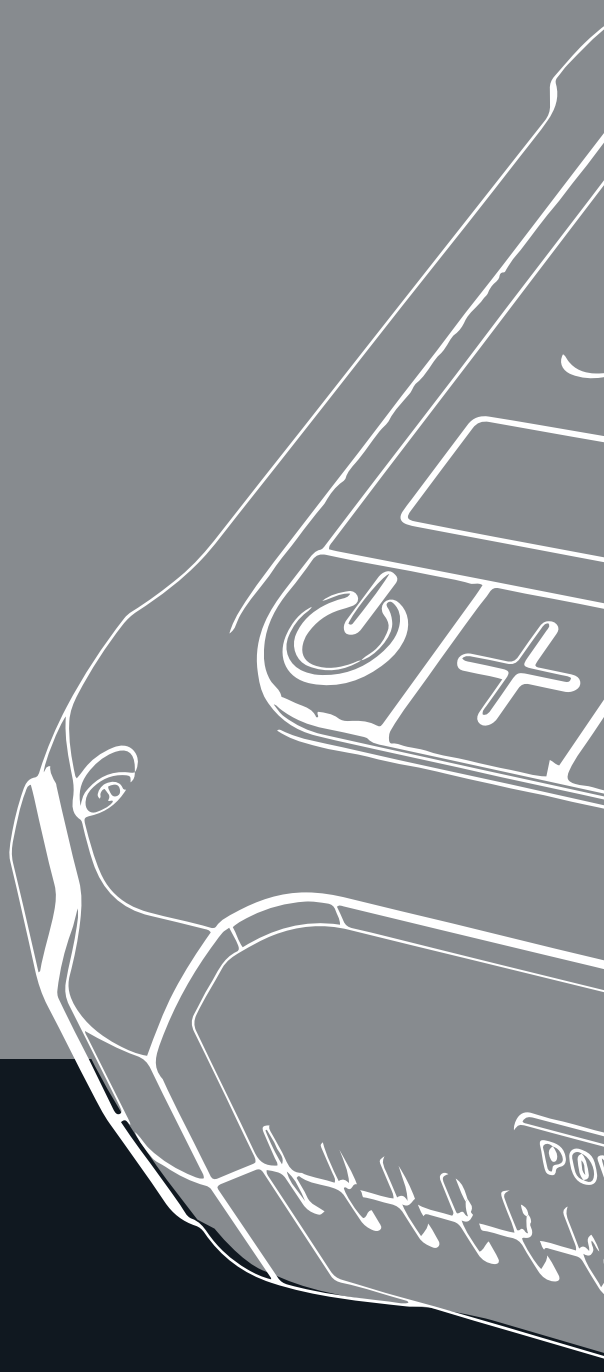
UK

BLUEFIN

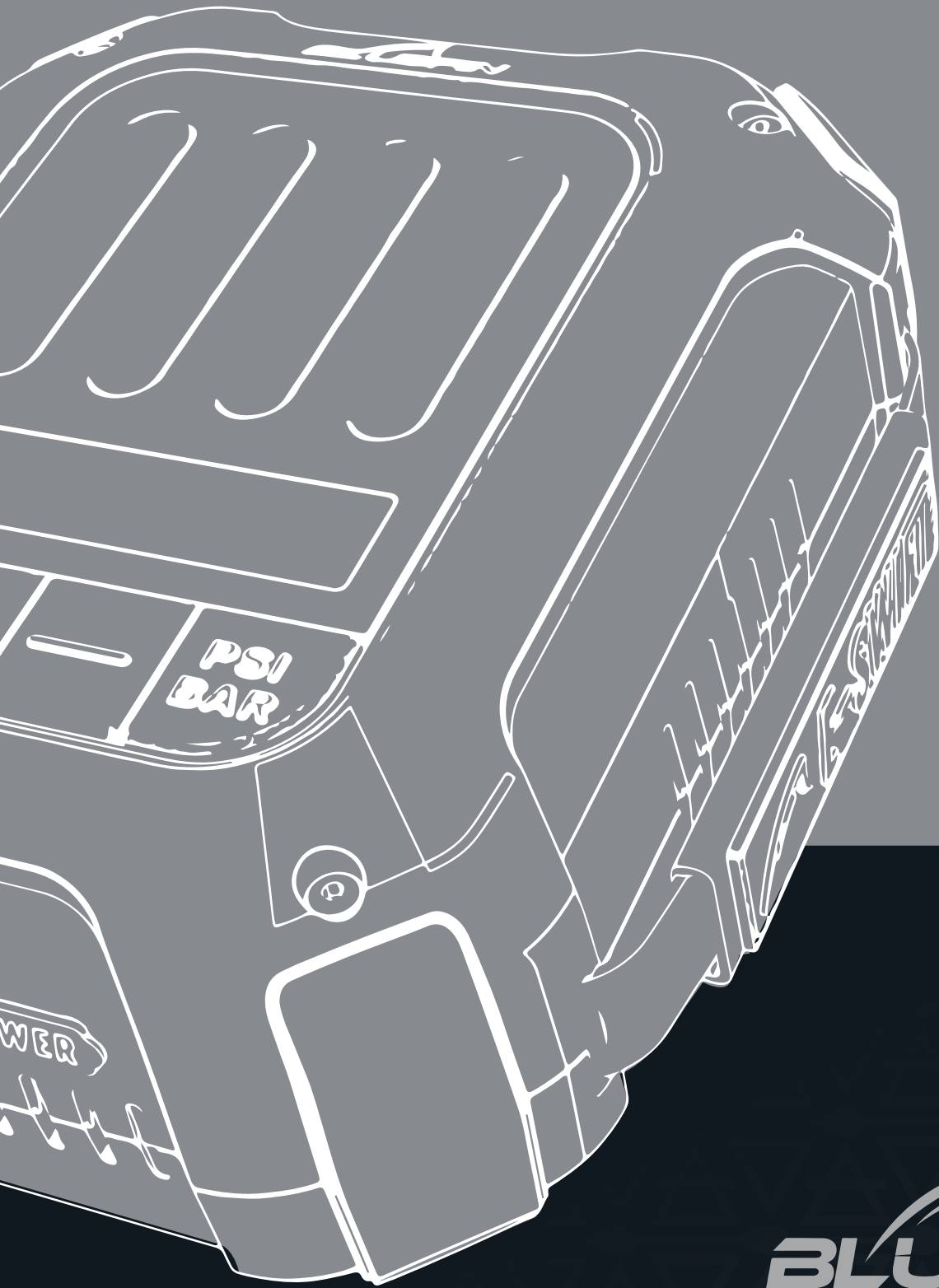
CE

UK
CA





BLUEFIN
SUP



**INSTRUCTION
MANUAL**

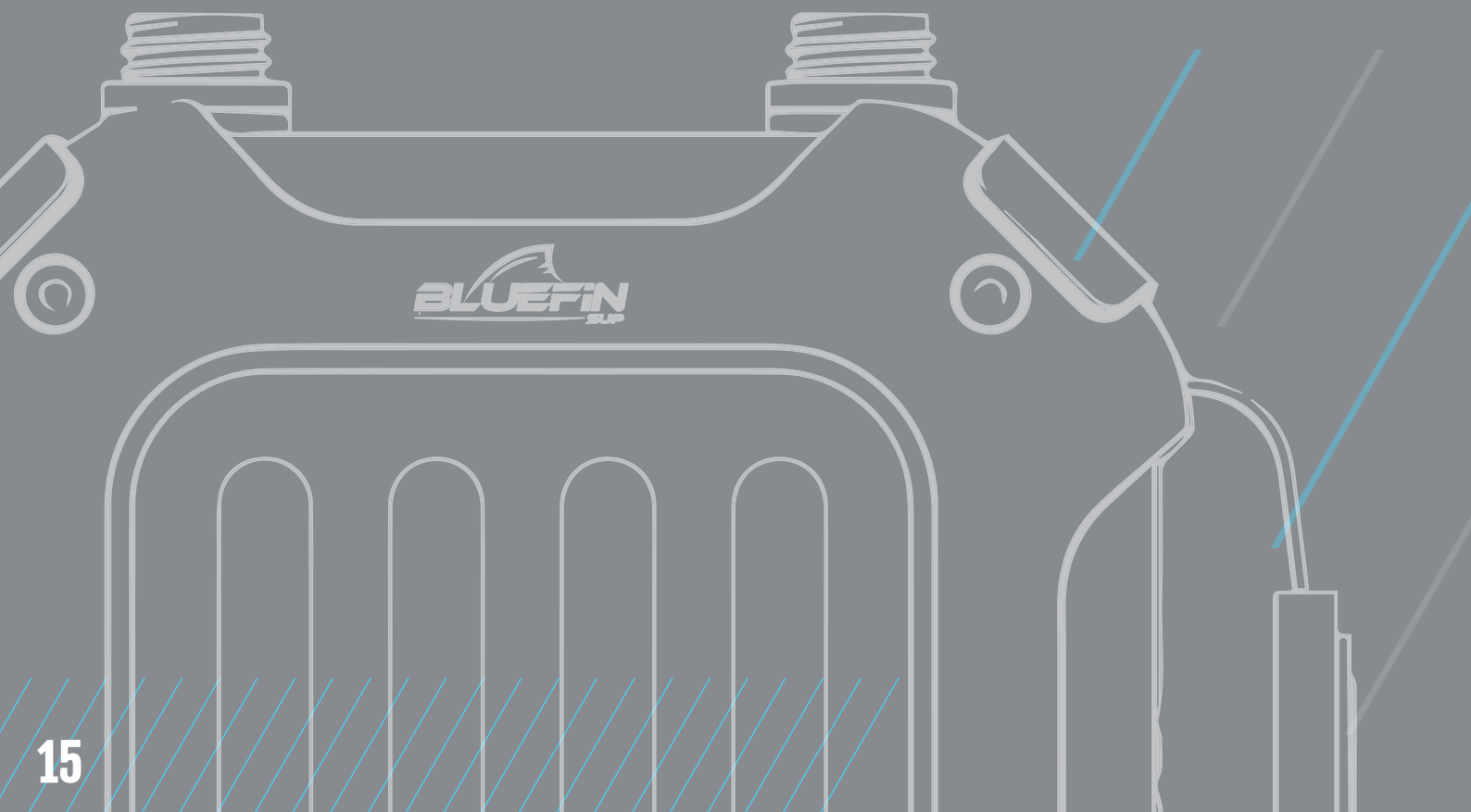
E-SWIFT

20 PSI AIR PUMP

CONTENTS

PAGE

Parts List	2
Inflation Process	4
Deflation Process	5
Safety Instructions	6
Precautions	7
Troubleshooting	8
Breakdown Cover	9





WELCOME **TO THE CLUB**

Hey,

Welcome to the Bluefin SUP community! We're glad to have you on board. Your journey with us doesn't end at the point of purchase.

As a member of our community, you're entitled to many benefits including lifetime support from our customer service team and an extended warranty on all our products. Remember to activate your warranty by scanning the QR code (see 'Breakdown cover') or by visiting our website.

We hope you enjoy your product and choose to explore the full Bluefin SUP range. To get the best of your product, we recommend that you read and refer back to the contents of this manual.

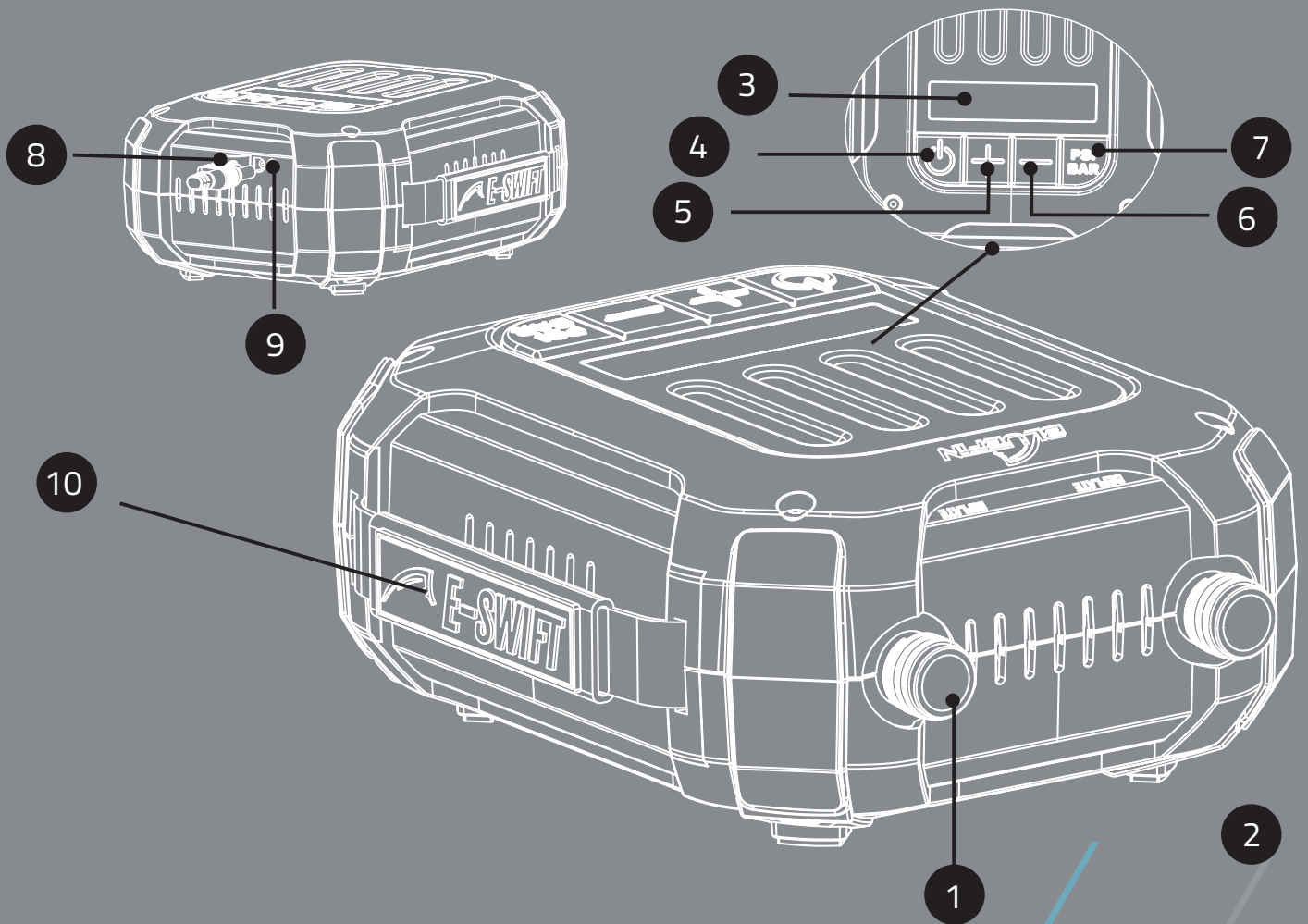
You can also find additional help and resources at www.bluefinsupboards.com.



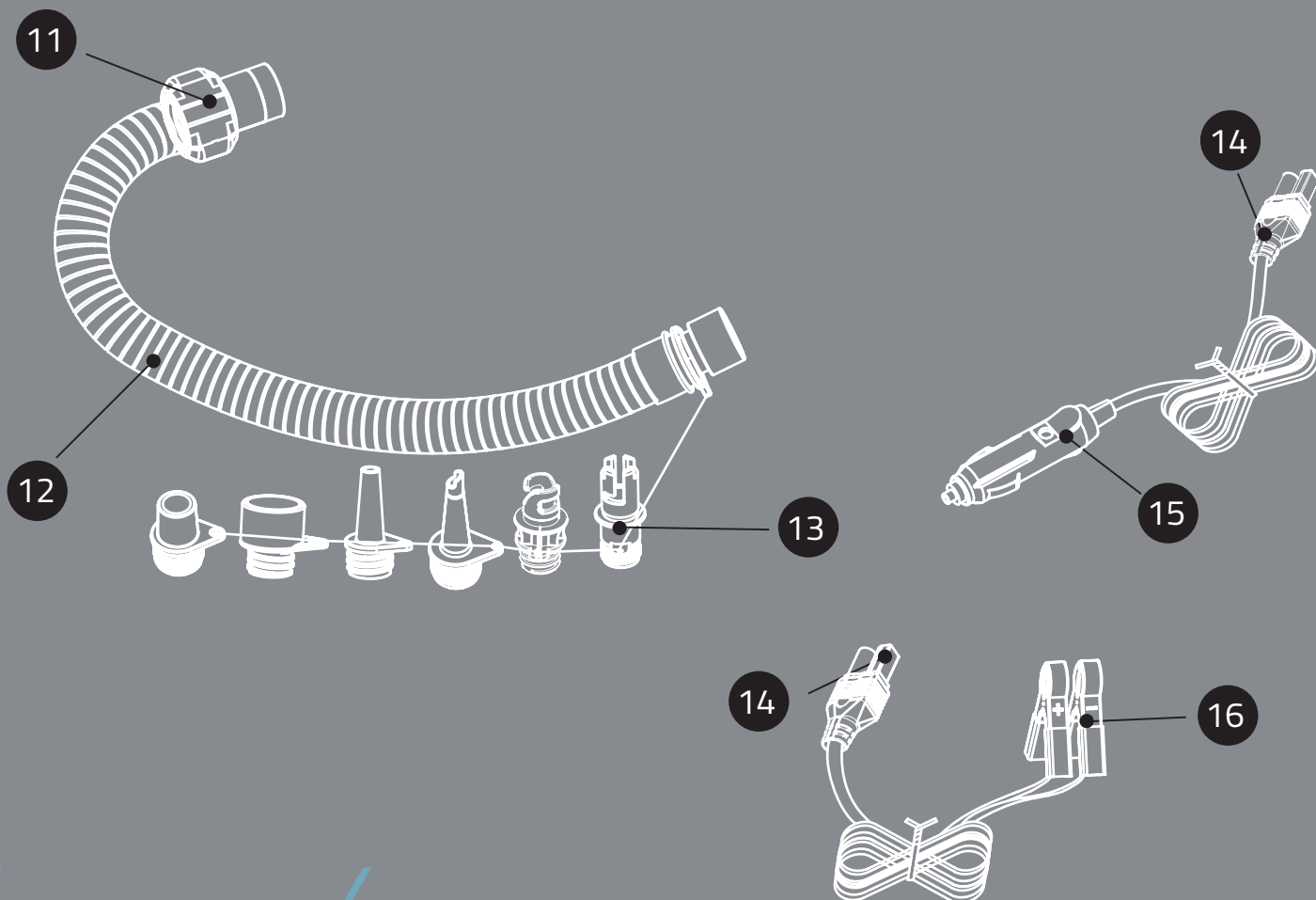
The Bluefin SUP team

E-SWIFT

PARTS LIST



- ① Inflation inlet
- ② Deflation outlet
- ③ Pressure value display
- ④ On/Off button
- ⑤ Pressure increase button
- ⑥ Pressure decrease button
- ⑦ Pressure unit toggle button
- ⑧ Silicone power cover
- ⑨ Power input
- ⑩ Webbing handle

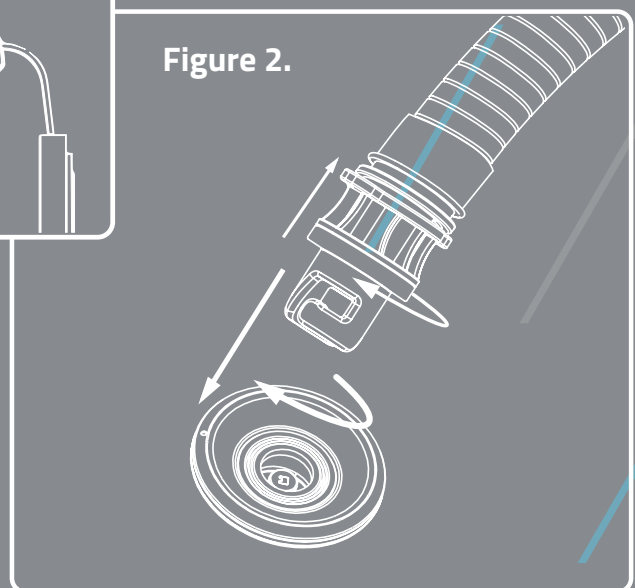
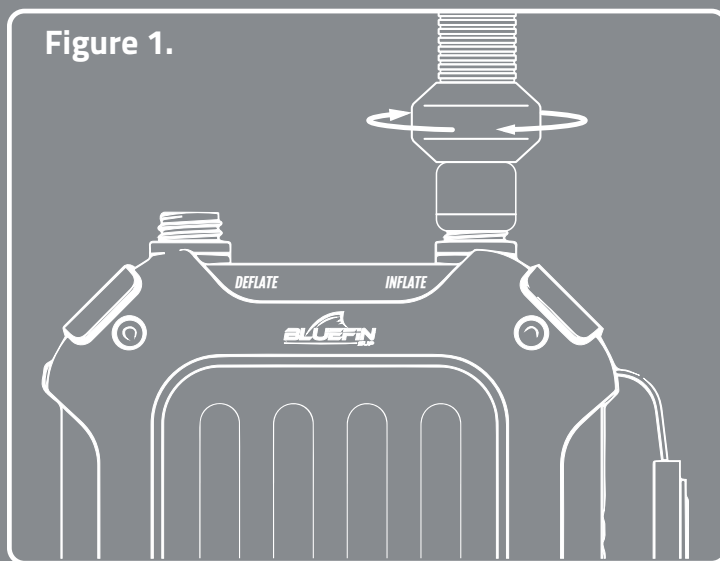


- ①① Pump hose fixing
- ①② Pump hose
- ①③ Hose nozzle adapters
- ①④ Power connector
- ①⑤ 12V Power adapter
- ①⑥ Battery power clips

INFLATION PROCESS

Connecting The Hose

Connect the pump hose fixing to the inflation inlet and twist clockwise to tighten it, as **Figure 1**. Install the required nozzle adapter to the other end of the hose and twist clockwise to tighten it. Insert the nozzle adapter into the inflatable and twist clockwise to fix it as **Figure 2**. Some Inflatables need a different nozzle adapter so please check the manufacturers guidance on this before choosing the correct one.

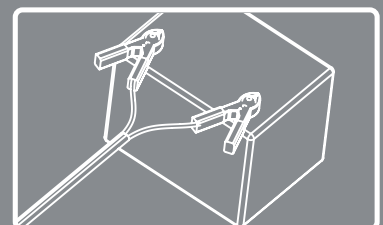
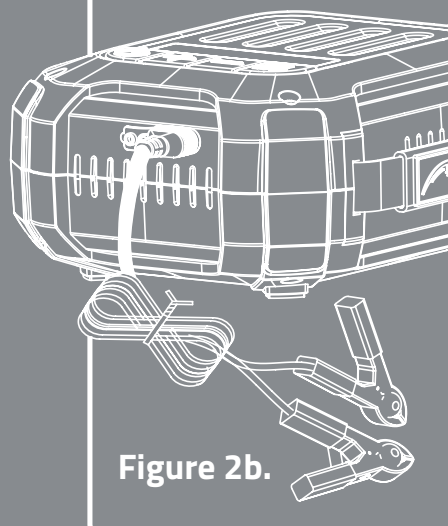
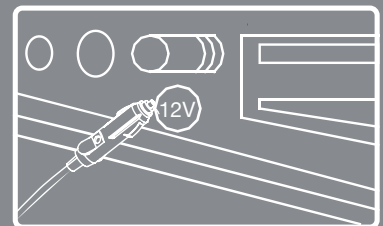
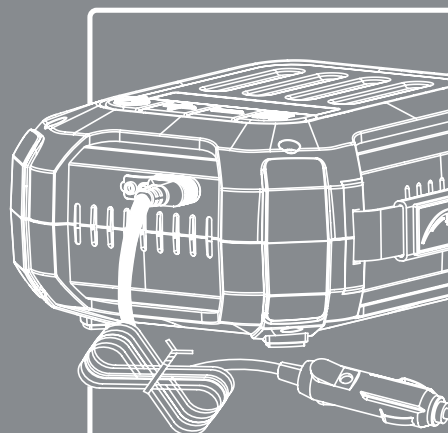
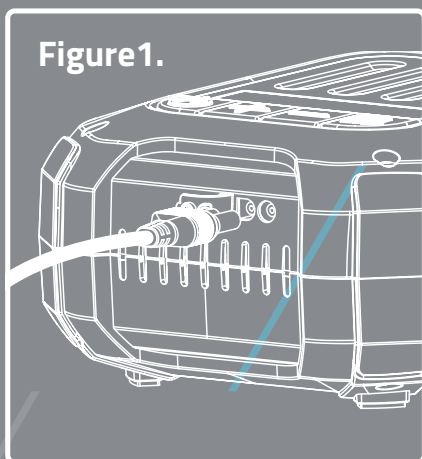


INFLATION PROCESS

Connecting The Power

Lift the silicon power input cover and insert the power connector into the power input on the pump as **Figure 1**.

Insert the 12V power adapter into a 12V DC socket as **Figure 2a**. Alternatively connect the battery power clips to a battery on its positive and negative poles (the red colour to the positive pole and the black colour to the negative pole) as **Figure 2b**.

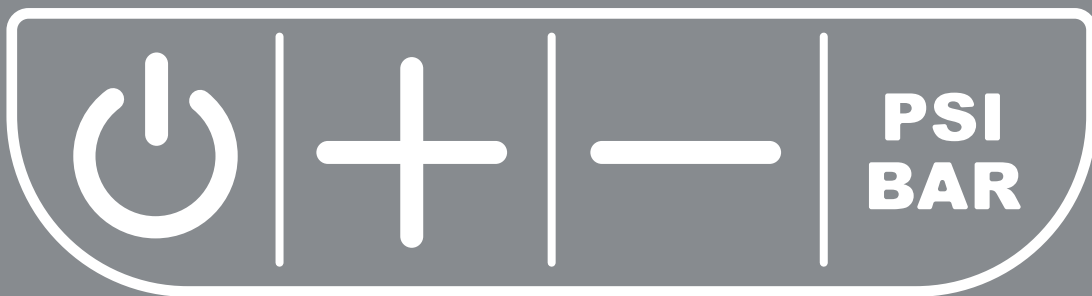


INFLATION PROCESS

Operating The Pump

Press the pressure unit toggle button **PSI
BAR** to select the unit you need.

Press the pressure increase button **+** or decrease button **-** to set the required pressure value you need. The pressure value can range from 0 to 20PSI.



After finishing the above steps, press the On/Off button **⏻** to start to inflate.

During the inflation process, you can press the pressure increase or decrease button to change the pressure value, press the pressure unit toggle button to switch the unit, and press the On/Off button to stop.

Press and hold the On/Off button for 3 seconds to start the pump using the most previously used pressure value.

Check that this does not exceed the limit for your current inflatable to avoid causing any damage.

When the pressure reaches the set value, the air pump will stop working automatically.

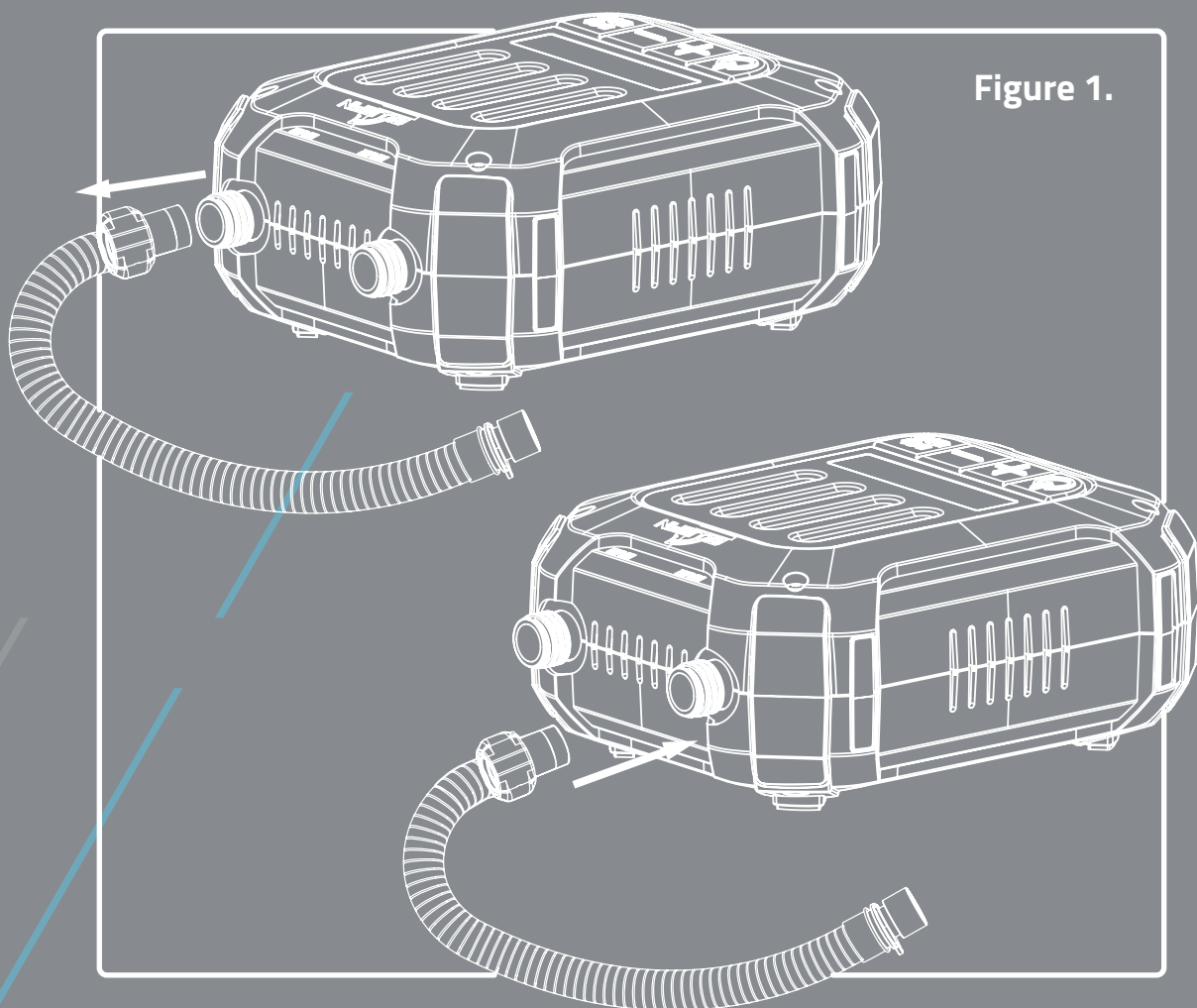
DEFLATION PROCESS

Switching To Deflate

Remove the hose from the inflation inlet, Connect the pump hose fixing to the deflation outlet on the pump, and twist clockwise to tighten it, as **Figure 1**.

Connect the nozzle end of the hose to in inflatable.

Press the On/Off button on the pump to start the deflation function until all the gas is removed, then press the On/Off button to stop the deflation.



TROUBLESHOOTING

Fault	Inspection	Solution
The pump will not start	<ol style="list-style-type: none">1. The power is not connected properly.2. The motor is overheated or overloaded, causing motor stalling.	<ol style="list-style-type: none">1. Make sure that the power cord is plugged into a 12V DC electric outlet.2. Allow the motor to cool before restarting.3. If the problem cannot be solved, please contact the Bluefin customer service team.
Slow or abnormal inflation.	<ol style="list-style-type: none">1. Check whether the hose is blocked or cracked.2. The joint between the hose and air pump or air bag is not installed properly.	<ol style="list-style-type: none">1. Make sure the hose is not blocked, and check whether the hose is cracked.2. Reinstall the hose.3. If the problem cannot be solved, please contact the Bluefin customer service team.
E2 on the display	<ol style="list-style-type: none">1. Forced shutdown when the temperature has reached 100.	<ol style="list-style-type: none">1. Allow the motor to cool before restarting.2. If the problem cannot be solved, please contact the Bluefin customer service team.
E3 on the display	<ol style="list-style-type: none">1. Shutdown protection without increasing air pressure.	<ol style="list-style-type: none">1. Check for air leaks.2. If the problem cannot be solved, please contact the Bluefin customer service team.

SAFETY

The applied power source must be the 12V DC power source as Figure 1.

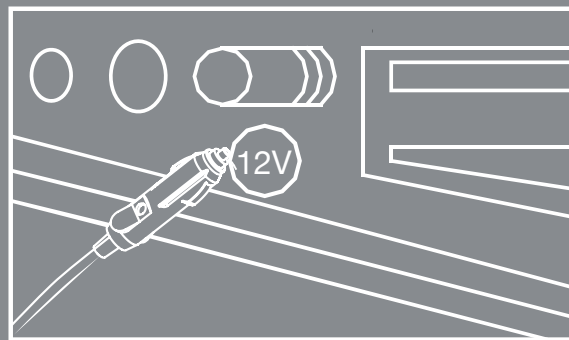


Figure 1.

Do not block the inflation inlet and deflation outlet, and ensure that the inflation inlet and deflation outlet shall remain smooth at all time.

Disposal: Do not dispose of this product as unsorted waste. It must be collected separately for special disposal.

Do not use this product when the hose is damage. Please change the hose immediately. Do not pull out the hose when inflating, this may cause physical bodily injury.

Don't use the air pump work for more than 20 minutes, this may cause the motor to overheat and create internal damage. Let the air pump cool for 30 minutes after being used continuously for 30 minutes.

Do not use the air pump if any part is damaged, and please contact Bluefin customer service. In order to prevent risk, do not face the inflation inlet at the face or body. Please do not leave unattended whilst inflating.

PRECAUTIONS

Warning: In order to reduce the risk of injury, please keep children away from the pump and any power wires. Always supervise children when using the pump.

Warning: The pump should be kept away from and not submerged in water.

Warning: Before moving, maintaining, repairing or adjusting this product, please first pull out the DC plug from the socket.

Warning: Make sure the wire is safe when in use and cannot be damaged by any other equipment.

Warning: If the power wire is damaged, the pump must not be used.

Warning: If you are standing in a place with water or your hands are wet, please don't use the power cable.

Warning: Before inflating, please check the maximum bearable pressure of the inflatable product to prevent any damage.

Warning: Before using the 12V adapter, please check the 12V socket to make sure that there is no rust or residue inside. Poor electrical conduction may cause overheating of the product or power source, which will damage the pumps.

Warning: Use the product responsibly and follow all guidance in the instruction book.

Warning: Do not use the product around any flammables.

Warning: Use the product at an ambient temperature of no more than 40 degrees.

Warning: Make sure the hose, the switch, 12V power adapter and the digital display work prior to use.

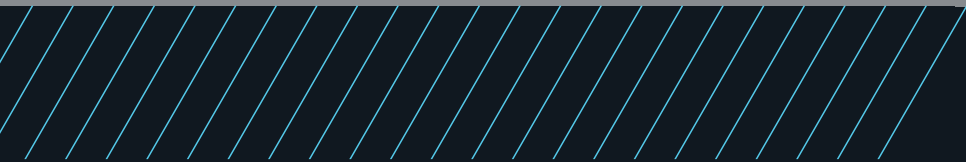
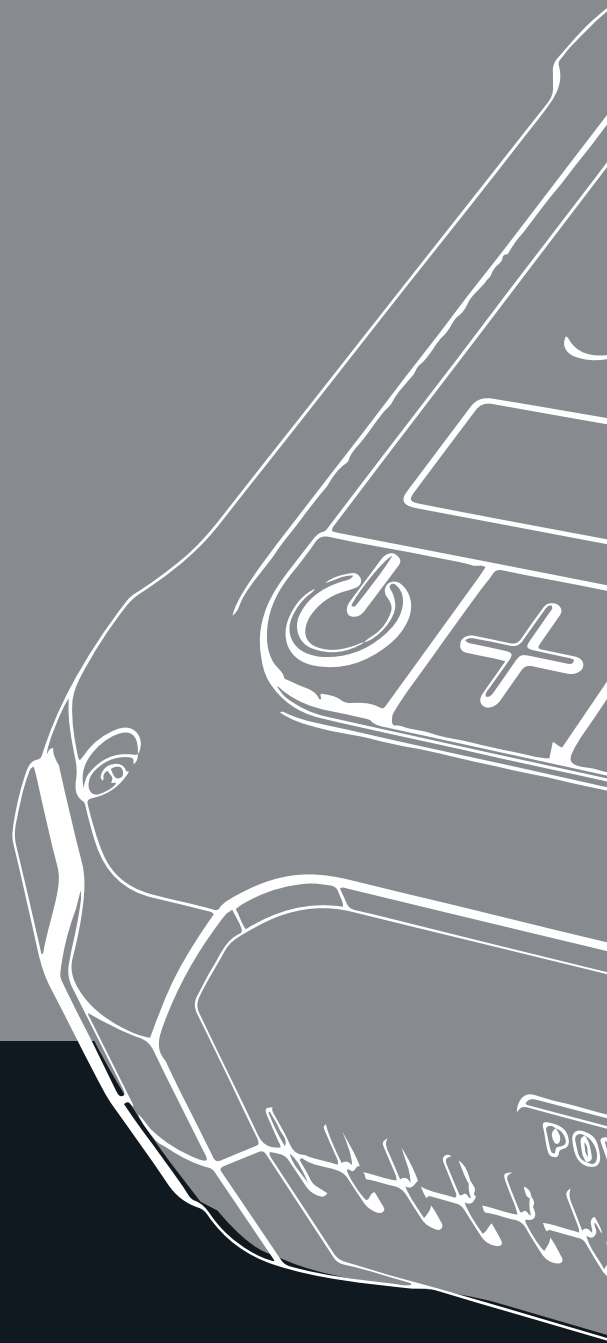
Warning: Keep away from heat sources, humidity, dust and direct sunlight.

Warning: Do not throw this product into a fire for fear of explosion or other danger.

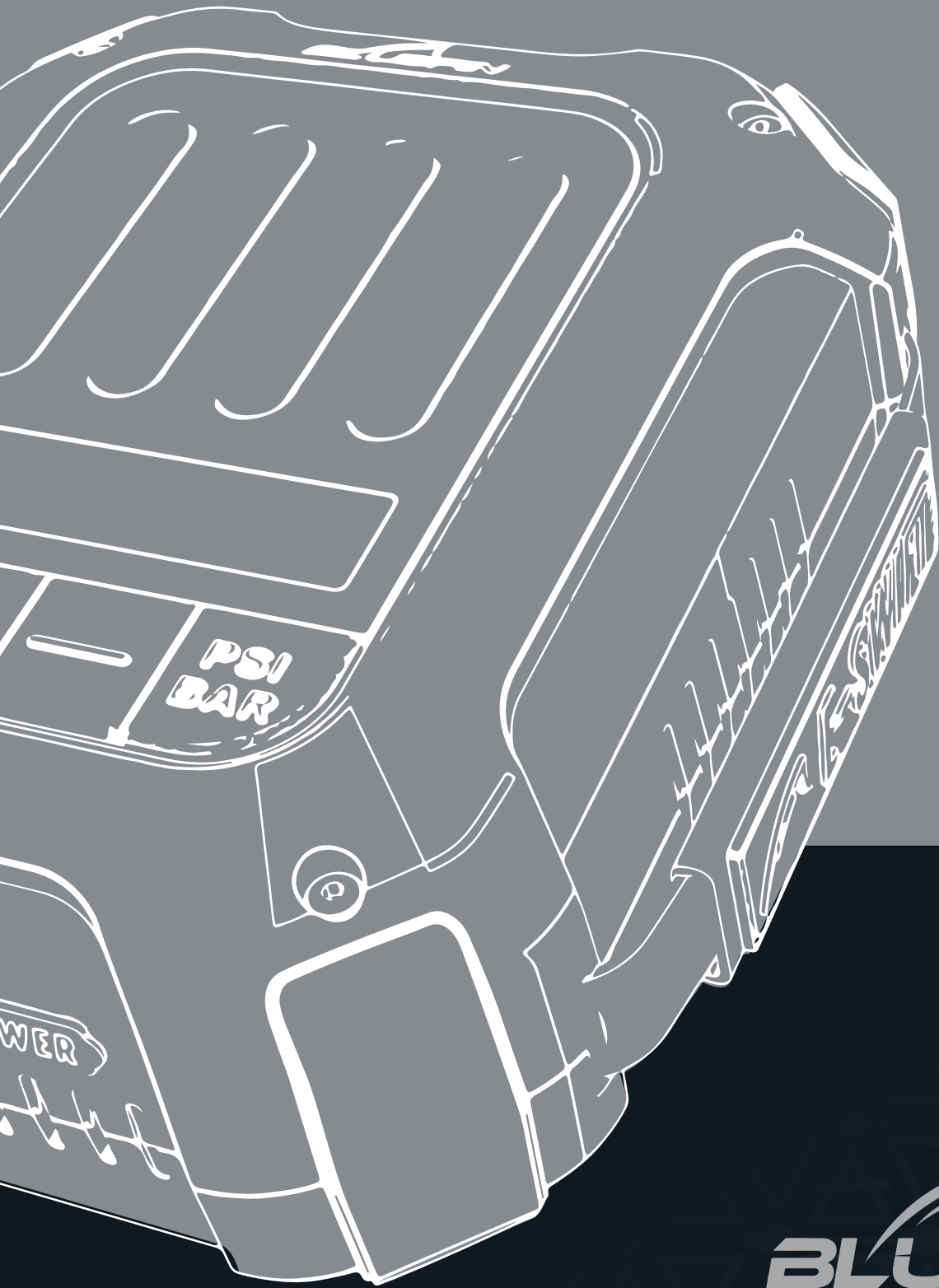
DE

BLUEFIN





BLUEFIN
SUP



**INSTRUCTION
MANUAL**

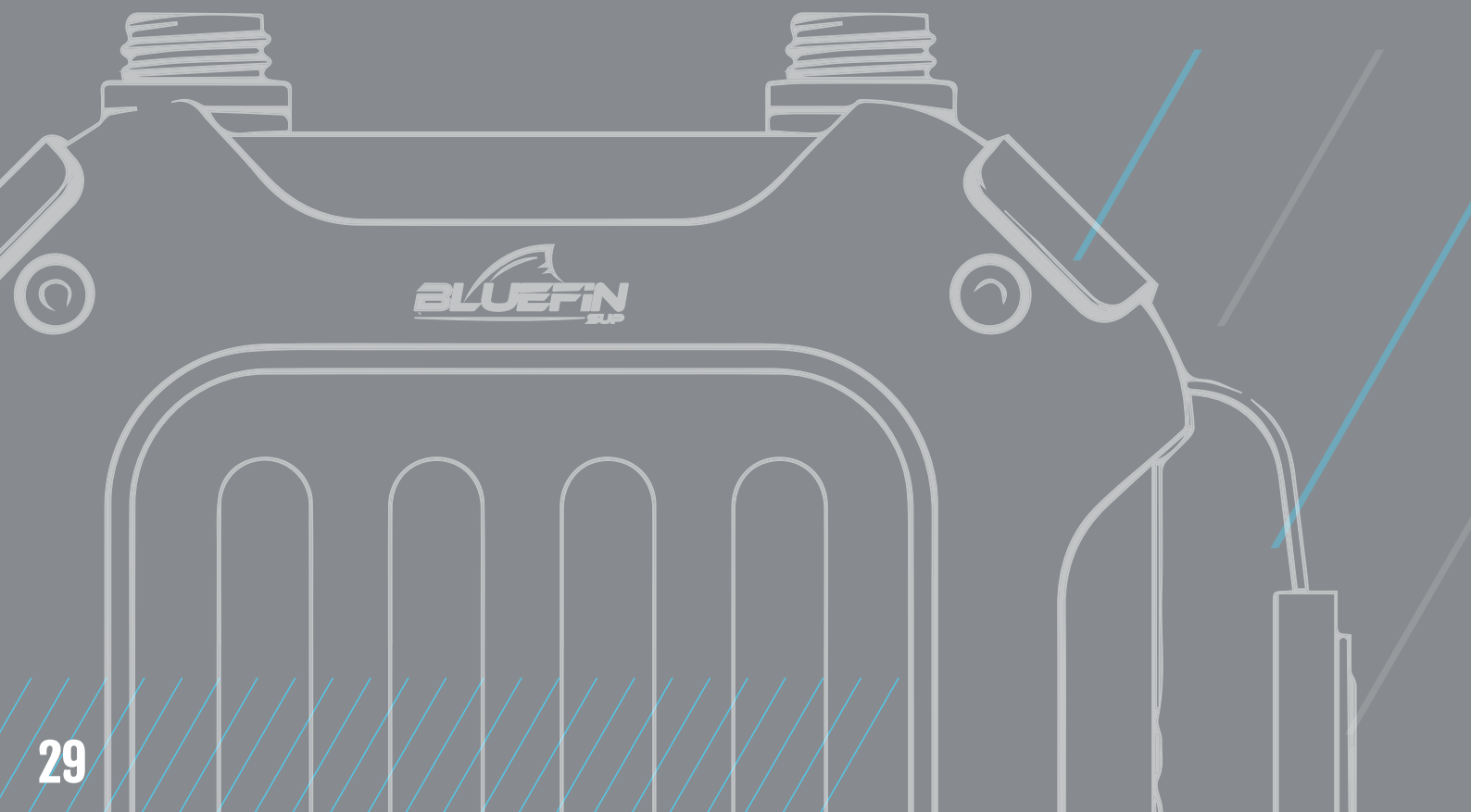
E-SWIFT

20PSI AIR PUMP

CONTENTS

PAGE

Parts List	2
Inflation Process	4
Deflation Process	5
Safety Instructions	6
Precautions	7
Troubleshooting	8
Breakdown Cover	9



WELCOME TO THE CLUB

Hey,

Welcome to the Bluefin SUP community! We're glad to have you on board. Your journey with us doesn't end at the point of purchase.

As a member of our community, you're entitled to many benefits including lifetime support from our customer service team and an extended warranty on all our products. Remember to activate your warranty by scanning the QR code (see 'Breakdown cover') or by visiting our website.

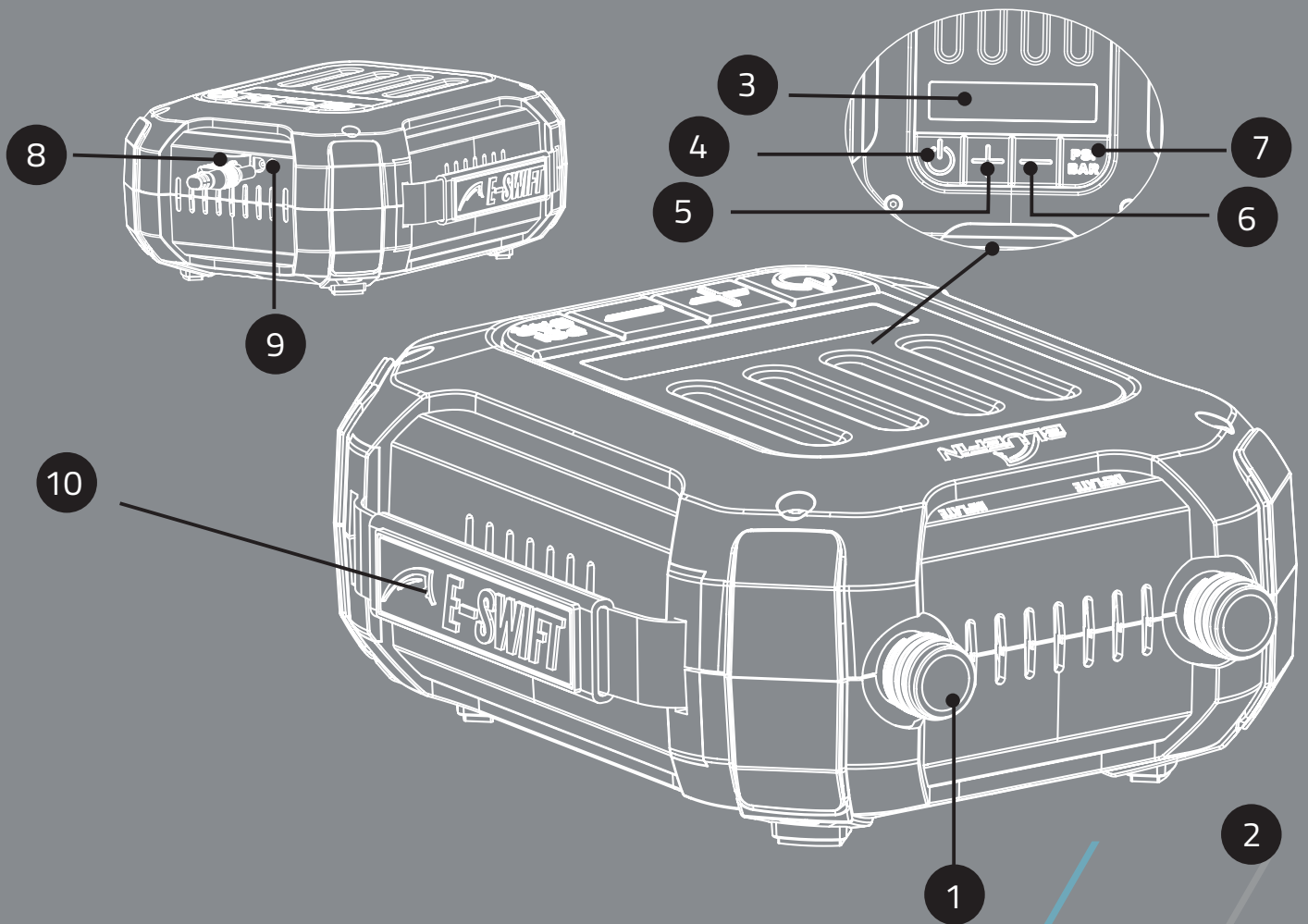
We hope you enjoy your product and choose to explore the full Bluefin SUP range. To get the best of your product, we recommend that you read and refer back to the contents of this manual.

You can also find additional help and resources at www.bluefinsupboards.com.

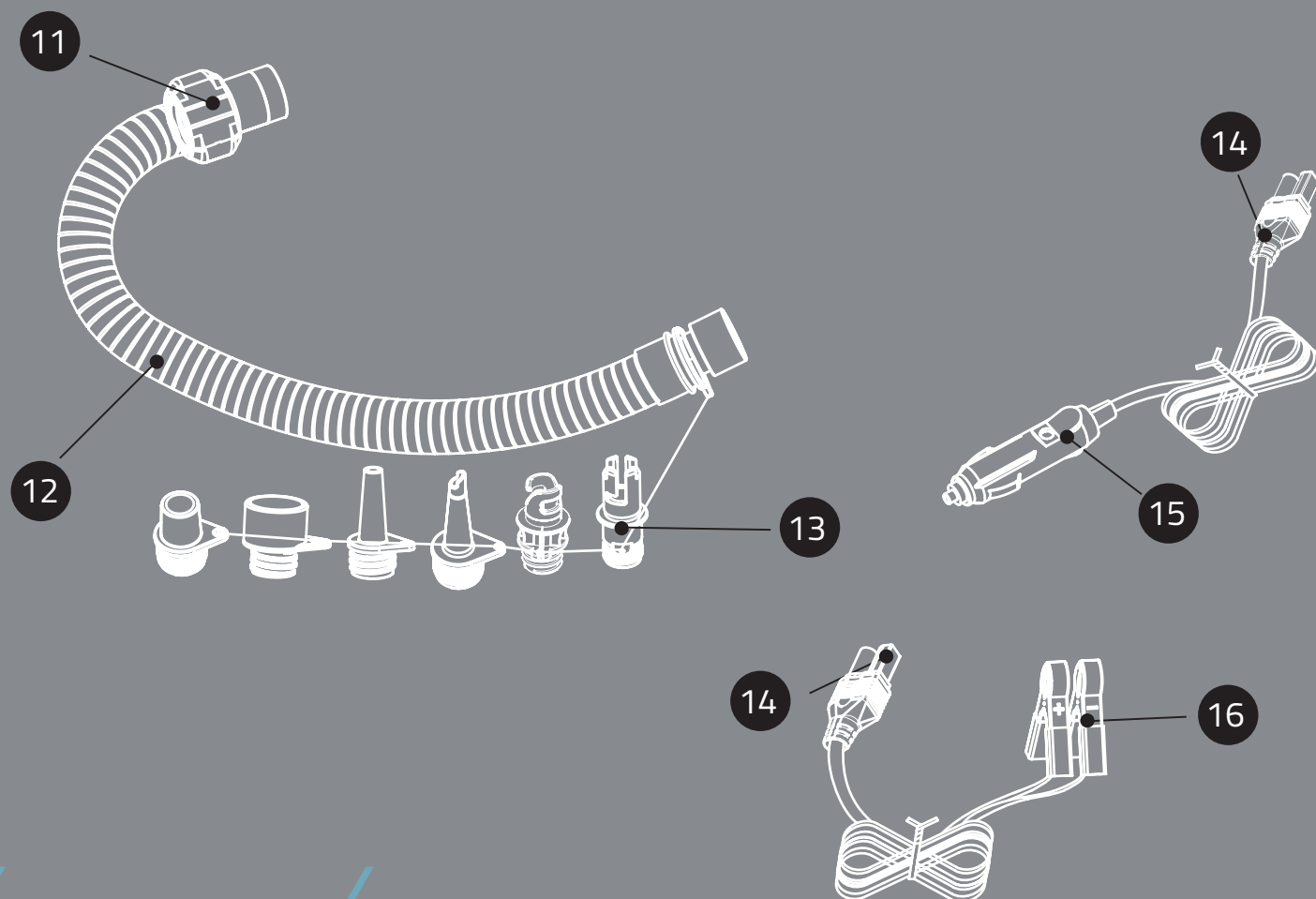
The Bluefin SUP team

E-SWIFT

PARTS LIST



- ① Inflation inlet
- ② Deflation outlet
- ③ Pressure value display
- ④ On/Off button
- ⑤ Pressure increase button
- ⑥ Pressure decrease button
- ⑦ Pressure unit toggle button
- ⑧ Silicone power cover
- ⑨ Power input
- ⑩ Webbing handle

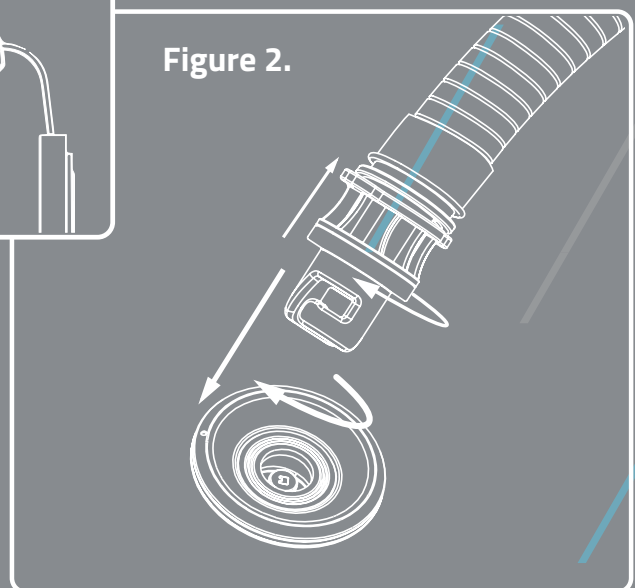
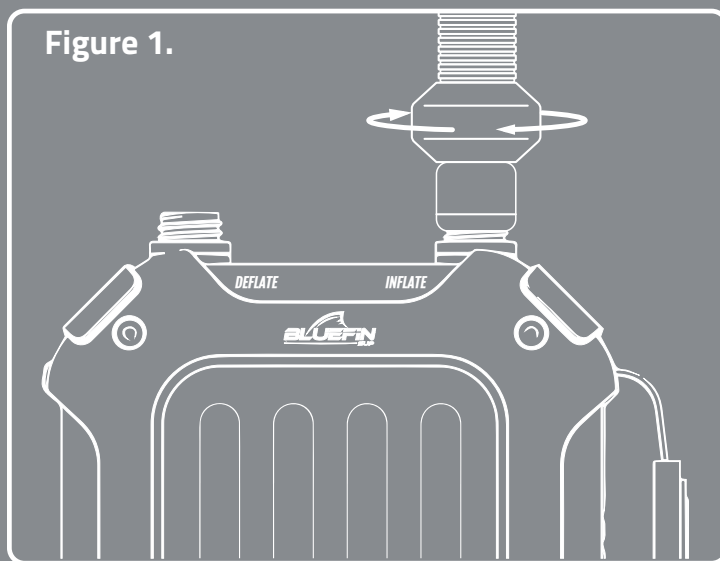


- ① Pump hose fixing
- ② Pump hose
- ③ Hose nozzle adapters
- ④ Power connector
- ⑤ 12V Power adapter
- ⑥ Battery power clips

INFLATION PROCESS

Connecting The Hose

Connect the pump hose fixing to the inflation inlet and twist clockwise to tighten it, as **Figure 1**. Install the required nozzle adapter to the other end of the hose and twist clockwise to tighten it. Insert the nozzle adapter into the inflatable and twist clockwise to fix it as **Figure 2**. Some Inflatables need a different nozzle adapter so please check the manufacturers guidance on this before choosing the correct one.



INFLATION PROCESS

Connecting The Power

Lift the silicon power input cover and insert the power connector into the power input on the pump as **Figure 1**.

Insert the 12V power adapter into a 12V DC socket as **Figure 2a**. Alternatively connect the battery power clips to a battery on its positive and negative poles (the red colour to the positive pole and the black colour to the negative pole) as **Figure 2b**.

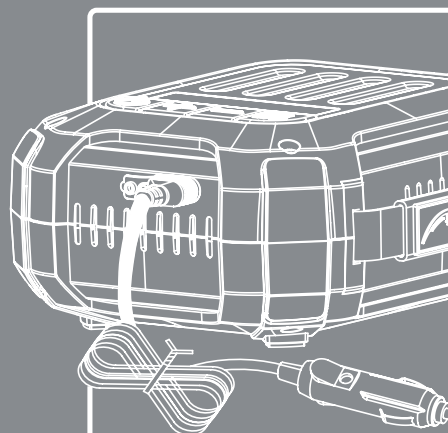
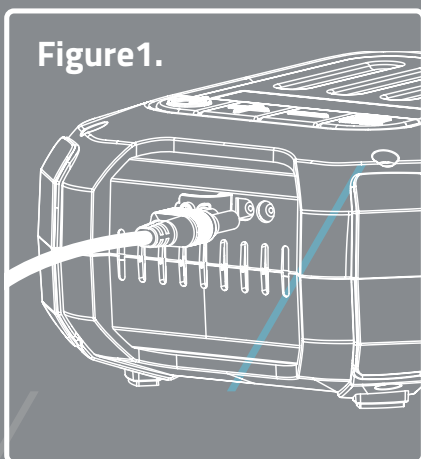


Figure 2a.

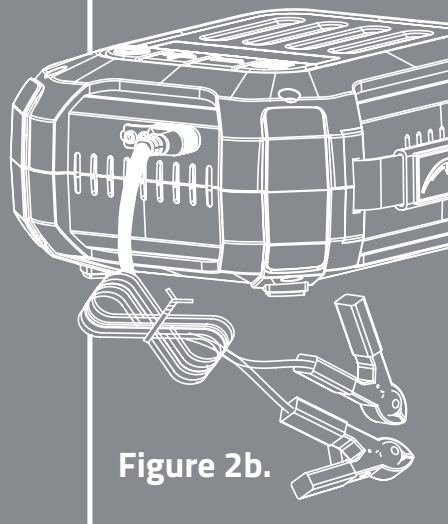
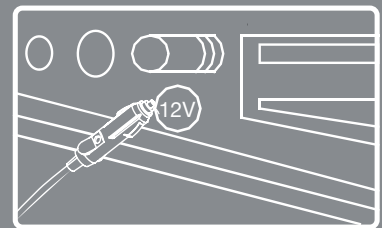
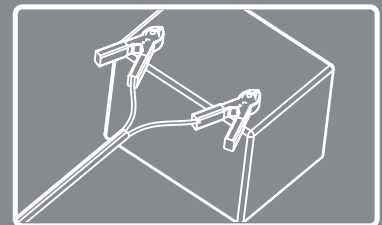


Figure 2b.

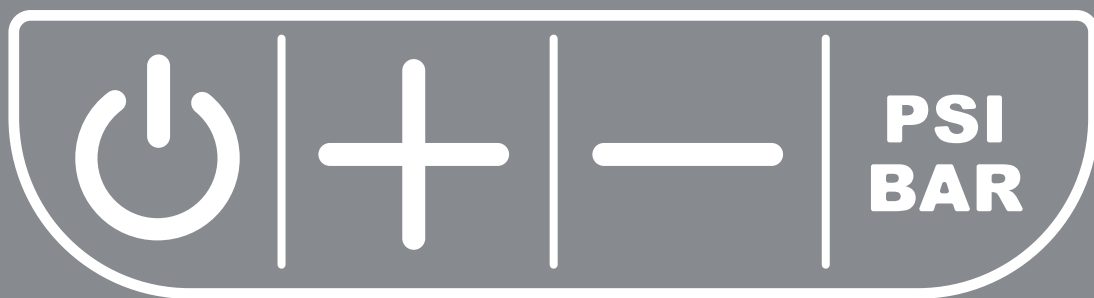


INFLATION PROCESS

Operating The Pump

Press the pressure unit toggle button **PSI
BAR** to select the unit you need.

Press the pressure increase button **+** or decrease button **-** to set the required pressure value you need. The pressure value can range from 0 to 20PSI.



After finishing the above steps, press the On/Off button **⏻** to start to inflate.

During the inflation process, you can press the pressure increase or decrease button to change the pressure value, press the pressure unit toggle button to switch the unit, and press the On/Off button to stop.

Press and hold the On/Off button for 3 seconds to start the pump using the most previously used pressure value.

Check that this does not exceed the limit for your current inflatable to avoid causing any damage.

When the pressure reaches the set value, the air pump will stop working automatically.

DEFLATION PROCESS

Switching To Deflate

Remove the hose from the inflation inlet, Connect the pump hose fixing to the deflation outlet on the pump, and twist clockwise to tighten it, as **Figure 1**.

Connect the nozzle end of the hose to in inflatable.

Press the On/Off button on the pump to start the deflation function until all the gas is removed, then press the On/Off button to stop the deflation.

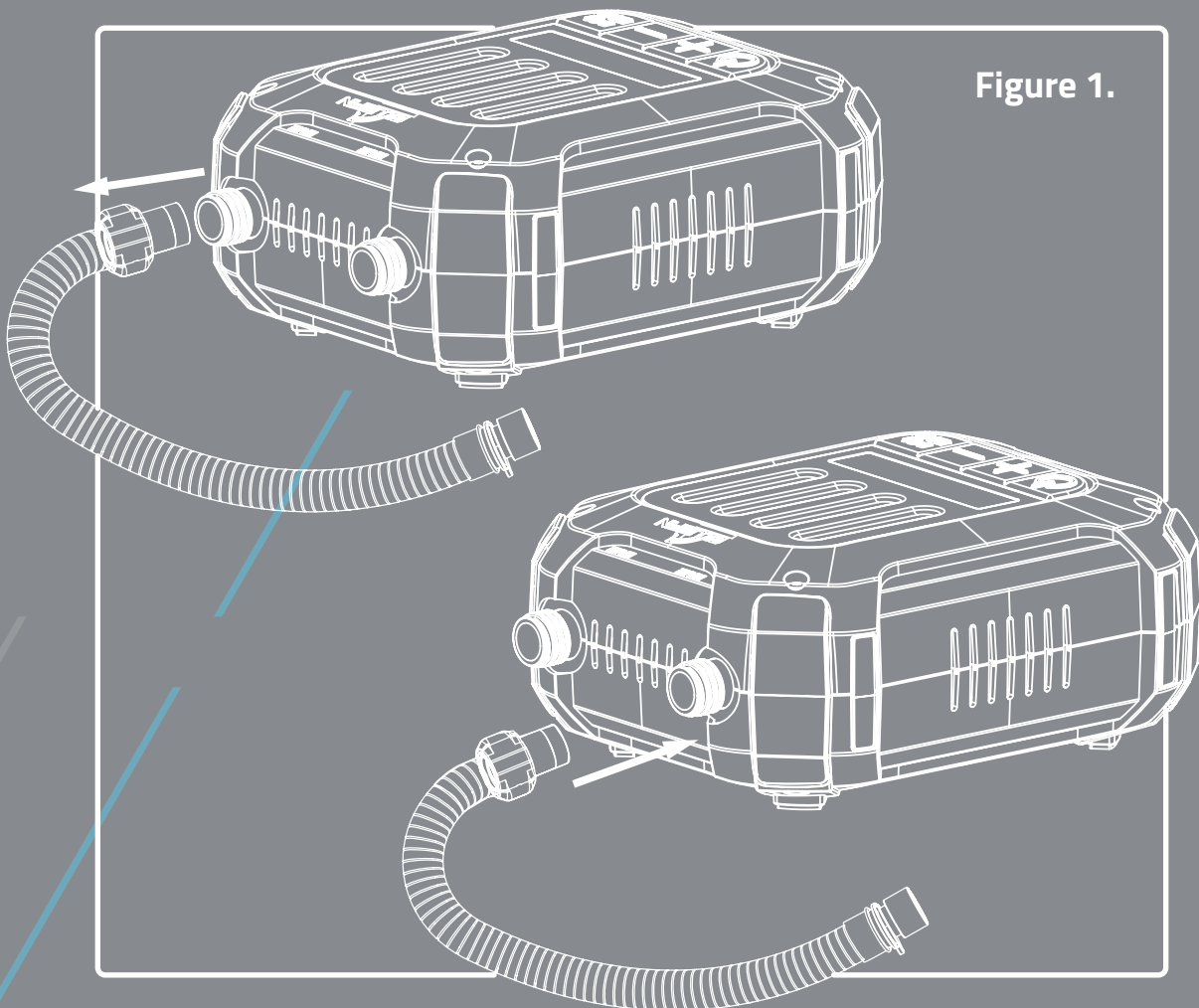


Figure 1.

TROUBLESHOOTING

Fault	Inspection	Solution
The pump will not start	<ol style="list-style-type: none">1. The power is not connected properly.2. The motor is overheated or overloaded, causing motor stalling.	<ol style="list-style-type: none">1. Make sure that the power cord is plugged into a 12V DC electric outlet.2. Allow the motor to cool before restarting.3. If the problem cannot be solved, please contact the Bluefin customer service team.
Slow or abnormal inflation.	<ol style="list-style-type: none">1. Check whether the hose is blocked or cracked.2. The joint between the hose and air pump or air bag is not installed properly.	<ol style="list-style-type: none">1. Make sure the hose is not blocked, and check whether the hose is cracked.2. Reinstall the hose.3. If the problem cannot be solved, please contact the Bluefin customer service team.
E2 on the display	<ol style="list-style-type: none">1. Forced shutdown when the temperature has reached 100.	<ol style="list-style-type: none">1. Allow the motor to cool before restarting.2. If the problem cannot be solved, please contact the Bluefin customer service team.
E3 on the display	<ol style="list-style-type: none">1. Shutdown protection without increasing air pressure.	<ol style="list-style-type: none">1. Check for air leaks.2. If the problem cannot be solved, please contact the Bluefin customer service team.

SAFETY

The applied power source must be the 12V DC power source as Figure 1.

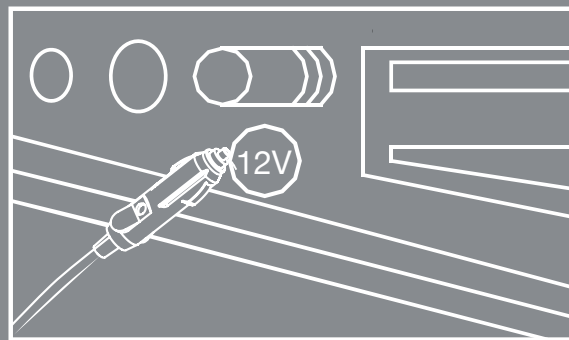


Figure 1.

Do not block the inflation inlet and deflation outlet , and ensure that the inflation inlet and deflation outlet shall remain smooth at all time.

Disposal: Do not dispose of this product as unsorted waste. It must be collected separately for special disposal.

Do not use this product when the hose is damage. Please change the hose immediately. Do not pull out the hose when inflating, this may cause physical bodily injury.

Don't use the air pump work for more than 20 minutes, this may cause the motor to overheat and create internal damage. Let the air pump cool for 30 minutes after being used continuously for 30 minutes.

Do not use the air pump if any part is damaged, and please contact Bluefin customer service. In order to prevent risk, do not face the inflation inlet at the face or body. Please do not leave unattended whilst inflating.

PRECAUTIONS

Warning: In order to reduce the risk of injury, please keep children away from the pump and any power wires. Always supervise children when using the pump.

Warning: The pump should be kept away from and not submerged in water.

Warning: Before moving, maintaining, repairing or adjusting this product, please first pull out the DC plug from the socket.

Warning: Make sure the wire is safe when in use and cannot be damaged by any other equipment.

Warning: If the power wire is damaged, the pump must not be used.

Warning: If you are standing in a place with water or your hands are wet, please don't use the power cable.

Warning: Before inflating, please check the maximum bearable pressure of the inflatable product to prevent any damage.

Warning: Before using the 12V adapter, please check the 12V socket to make sure that there is no rust or residue inside. Poor electrical conduction may cause overheating of the product or power source, which will damage the pumps.

Warning: Use the product responsibly and follow all guidance in the instruction book.

Warning: Do not use the product around any flammables.

Warning: Use the product at an ambient temperature of no more than 40 degrees.

Warning: Make sure the hose, the switch, 12V power adapter and the digital display work prior to use.

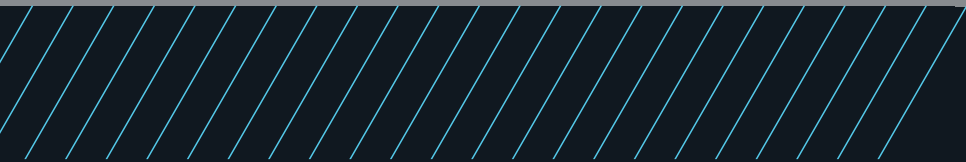
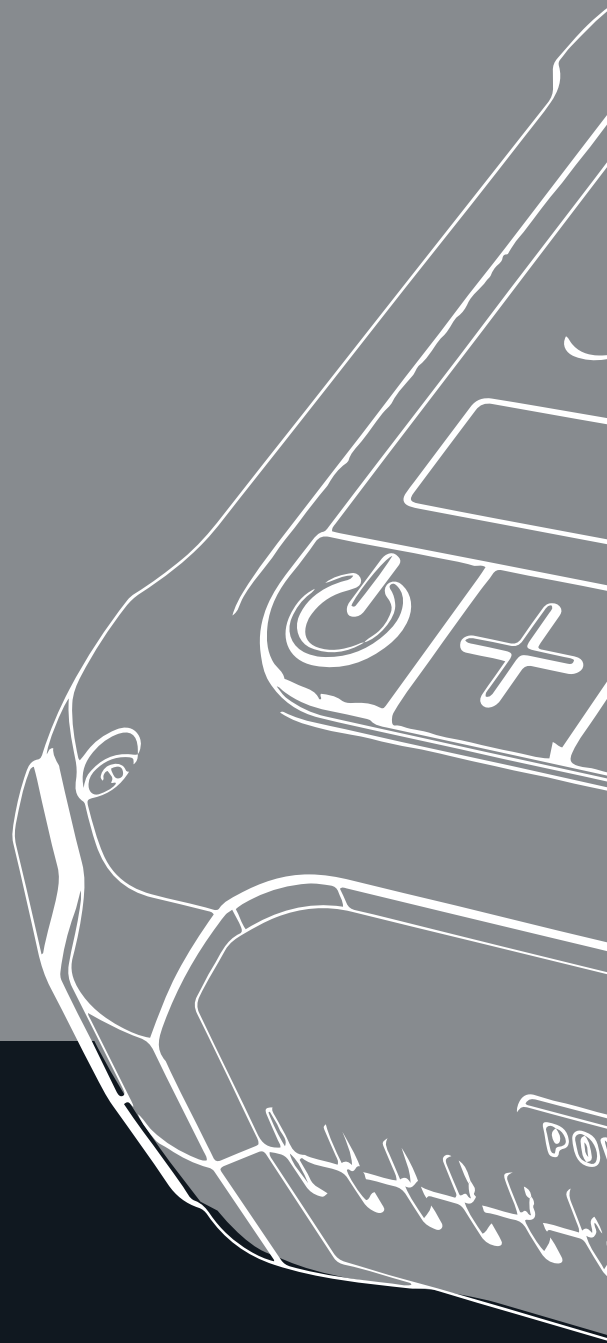
Warning: Keep away from heat sources, humidity, dust and direct sunlight.

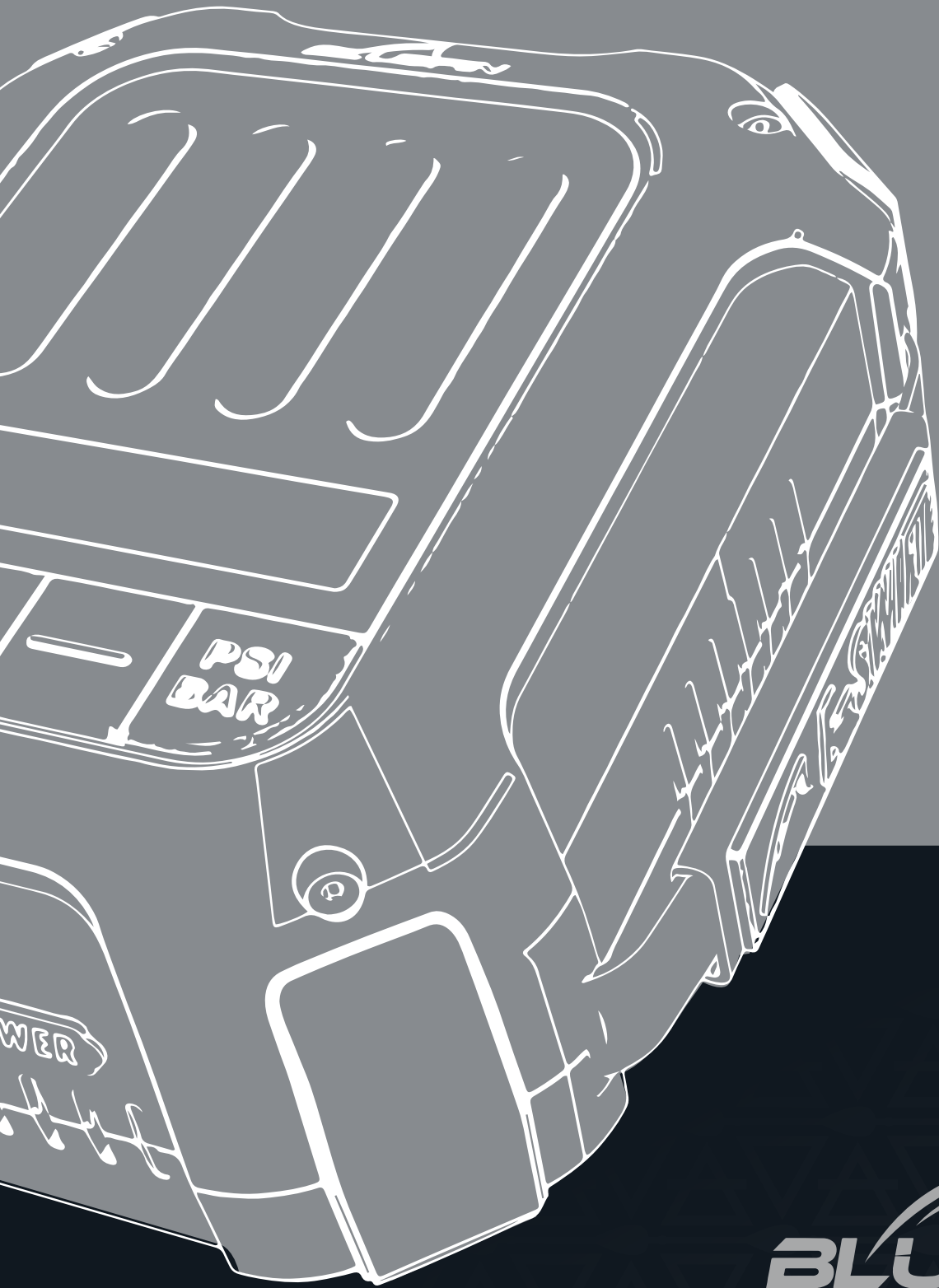
Warning: Do not throw this product into a fire for fear of explosion or other danger.

ES

BLUEFIN







**INSTRUCTION
MANUAL**

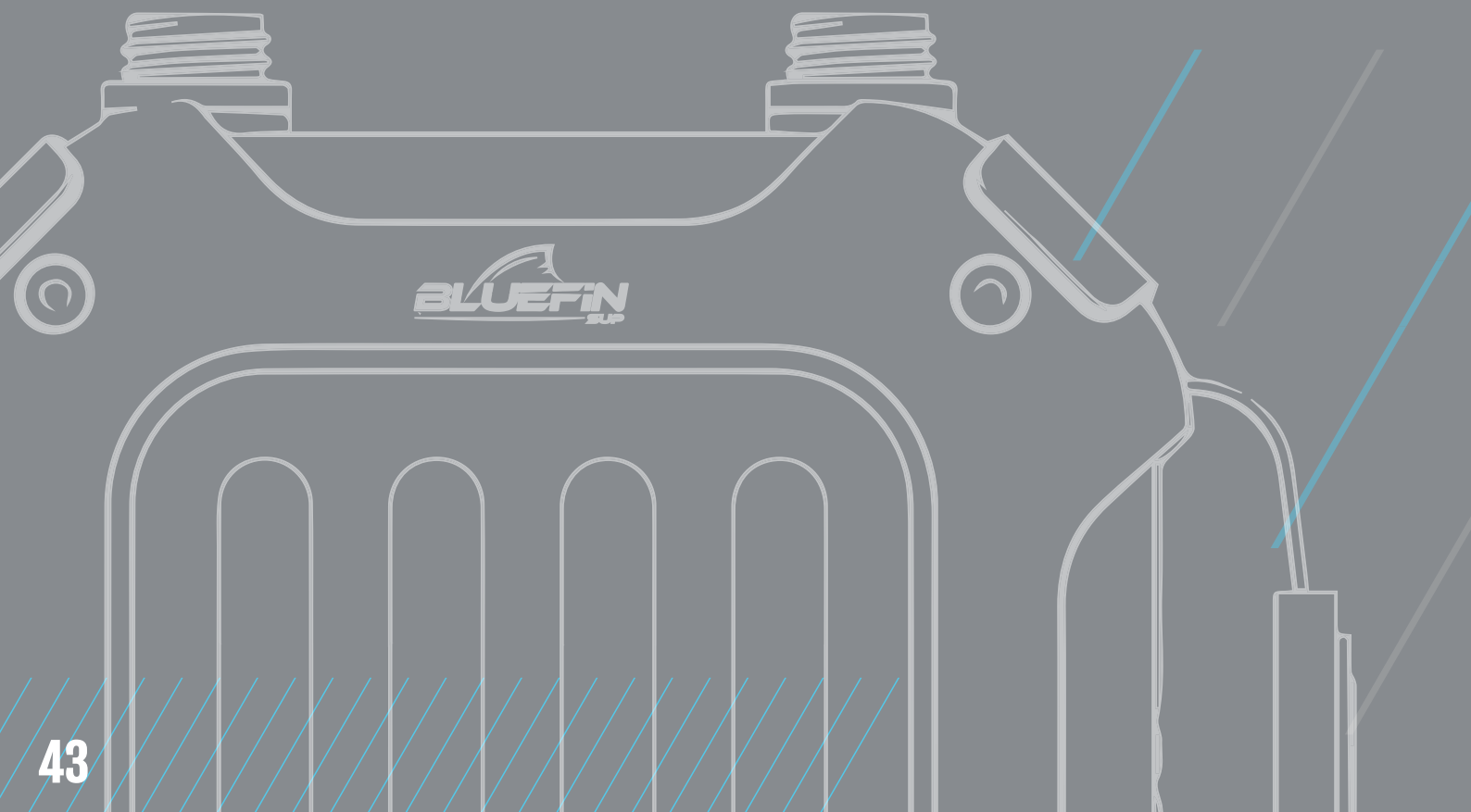
E-SWIFT

20PSI AIR PUMP

CONTENTS

PAGE

Parts List	2
Inflation Process	4
Deflation Process	5
Safety Instructions	6
Precautions	7
Troubleshooting	8
Breakdown Cover	9



WELCOME TO THE CLUB

Hey,

Welcome to the Bluefin SUP community! We're glad to have you on board. Your journey with us doesn't end at the point of purchase.

As a member of our community, you're entitled to many benefits including lifetime support from our customer service team and an extended warranty on all our products. Remember to activate your warranty by scanning the QR code (see 'Breakdown cover') or by visiting our website.

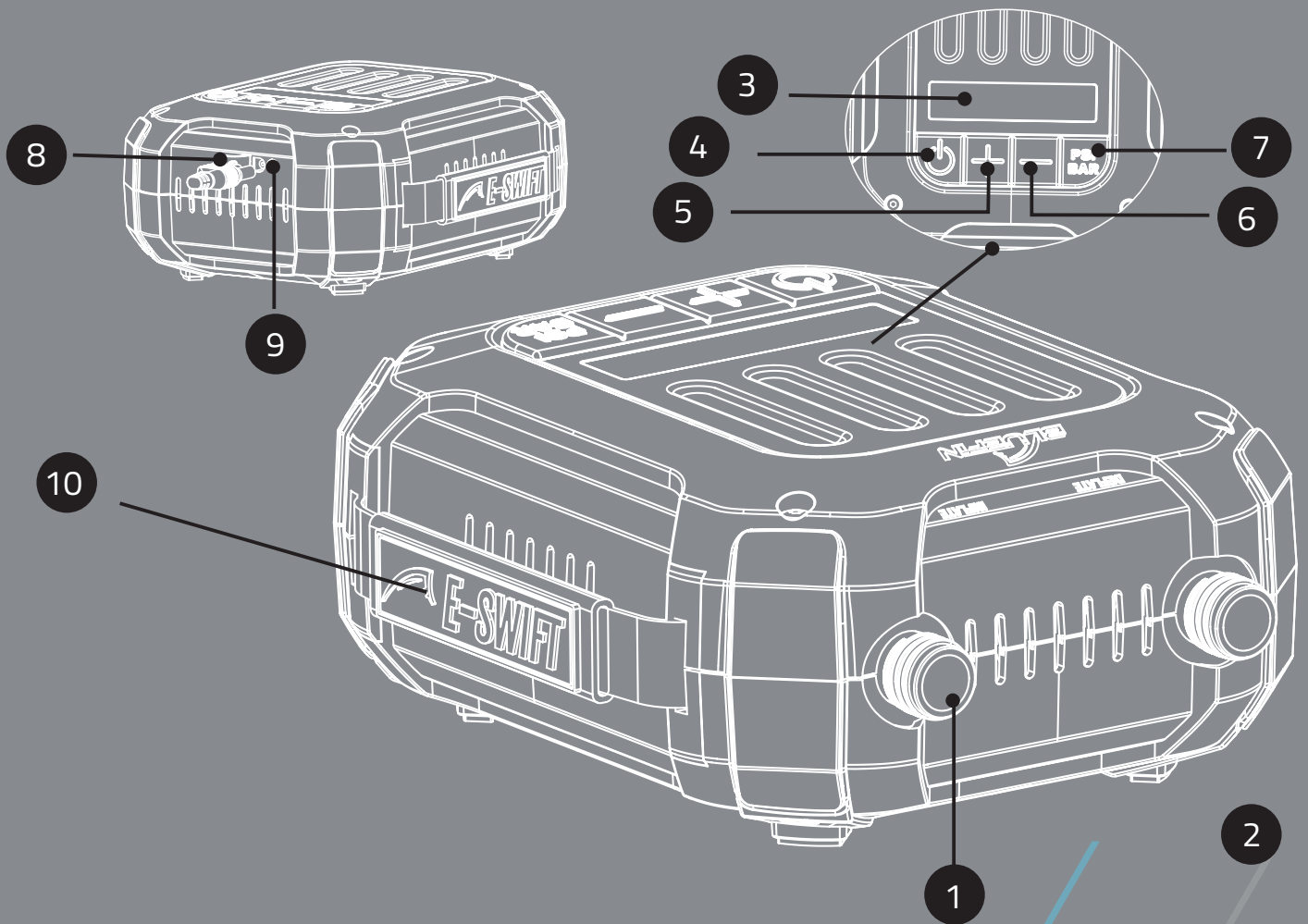
We hope you enjoy your product and choose to explore the full Bluefin SUP range. To get the best of your product, we recommend that you read and refer back to the contents of this manual.

You can also find additional help and resources at www.bluefinsupboards.com.

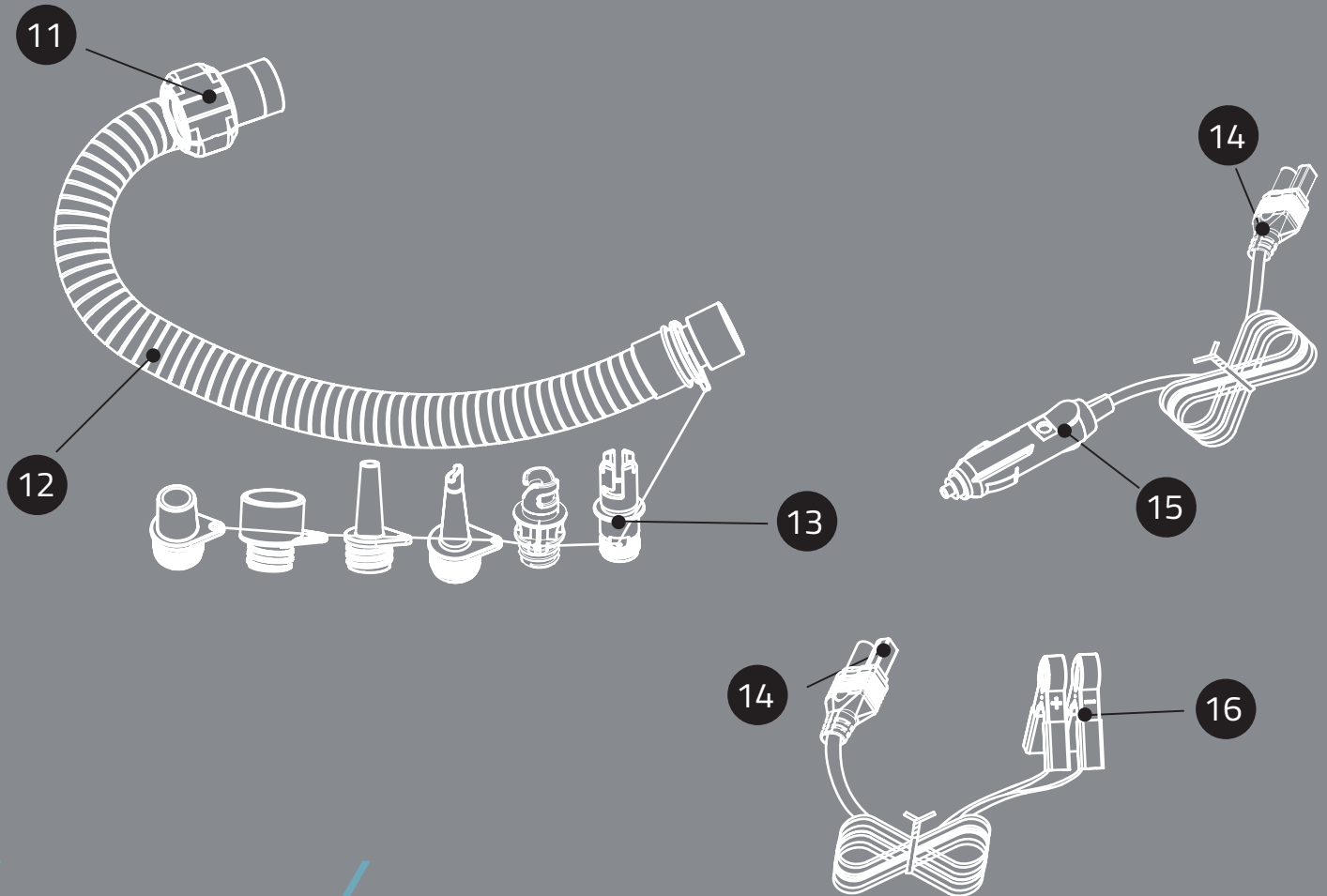
The Bluefin SUP team

E-SWIFT

PARTS LIST



- ① Inflation inlet
- ② Deflation outlet
- ③ Pressure value display
- ④ On/Off button
- ⑤ Pressure increase button
- ⑥ Pressure decrease button
- ⑦ Pressure unit toggle button
- ⑧ Silicone power cover
- ⑨ Power input
- ⑩ Webbing handle

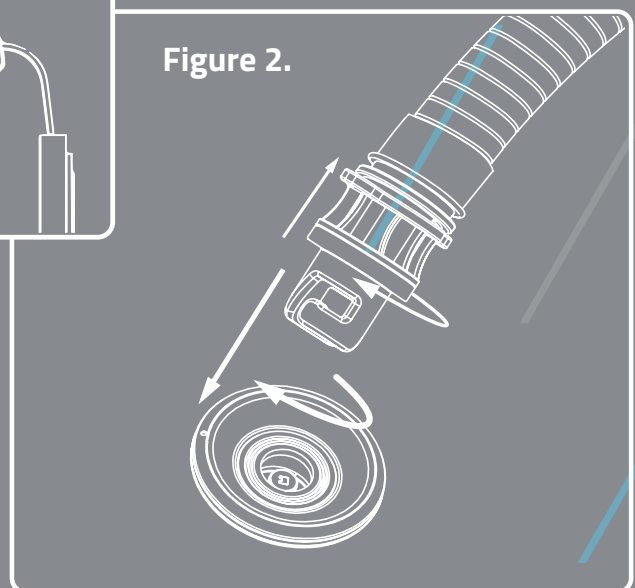
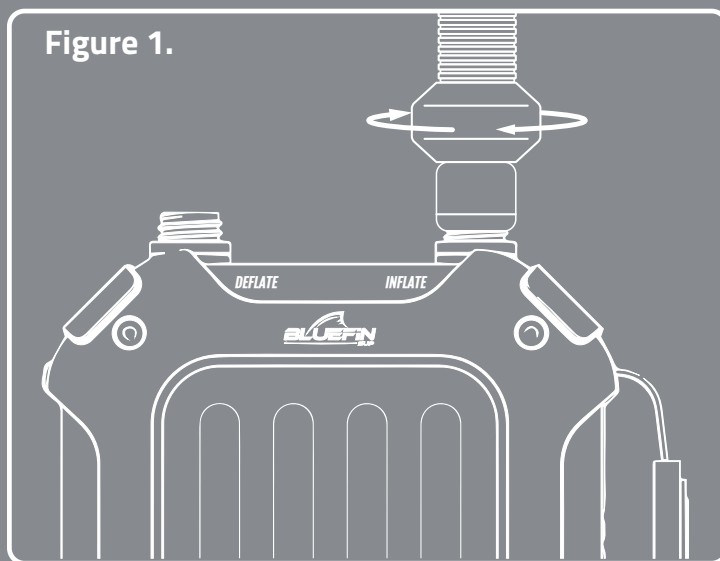


- ① Pump hose fixing
- ② Pump hose
- ③ Hose nozzle adapters
- ④ Power connector
- ⑤ 12V Power adapter
- ⑥ Battery power clips

INFLATION PROCESS

Connecting The Hose

Connect the pump hose fixing to the inflation inlet and twist clockwise to tighten it, as **Figure 1**. Install the required nozzle adapter to the other end of the hose and twist clockwise to tighten it. Insert the nozzle adapter into the inflatable and twist clockwise to fix it as **Figure 2**. Some Inflatables need a different nozzle adapter so please check the manufacturers guidance on this before choosing the correct one.



INFLATION PROCESS

Connecting The Power

Lift the silicon power input cover and insert the power connector into the power input on the pump as **Figure 1**.

Insert the 12V power adapter into a 12V DC socket as **Figure 2a**. Alternatively connect the battery power clips to a battery on its positive and negative poles (the red colour to the positive pole and the black colour to the negative pole) as **Figure 2b**.

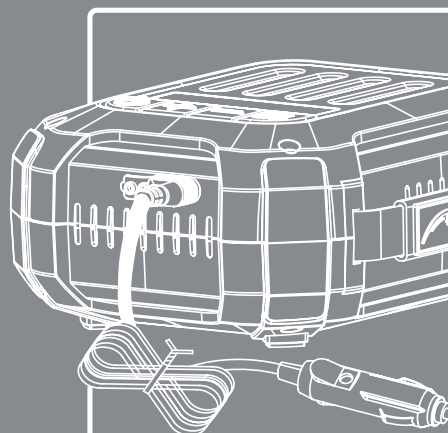
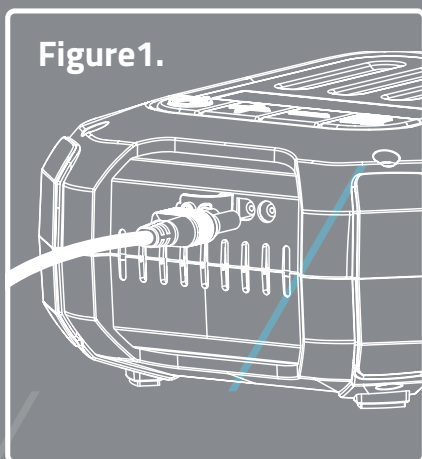


Figure 2a.

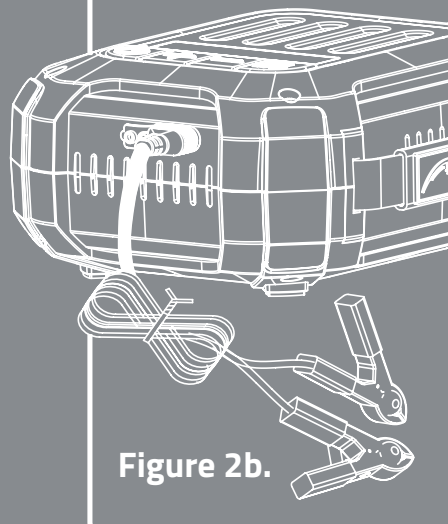
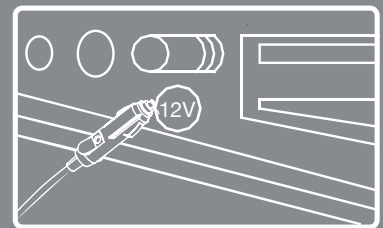
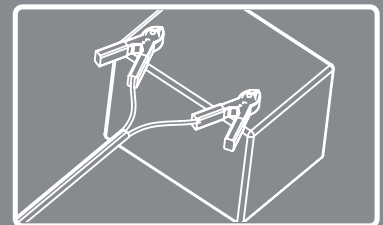


Figure 2b.

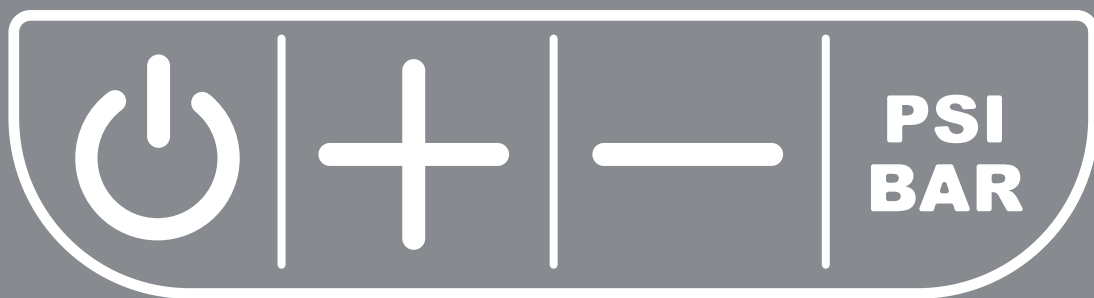


INFLATION PROCESS

Operating The Pump

Press the pressure unit toggle button **PSI
BAR** to select the unit you need.

Press the pressure increase button **+** or decrease button **-** to set the required pressure value you need. The pressure value can range from 0 to 20PSI.



After finishing the above steps, press the On/Off button **⏻** to start to inflate.

During the inflation process, you can press the pressure increase or decrease button to change the pressure value, press the pressure unit toggle button to switch the unit, and press the On/Off button to stop.

Press and hold the On/Off button for 3 seconds to start the pump using the most previously used pressure value.

Check that this does not exceed the limit for your current inflatable to avoid causing any damage.

When the pressure reaches the set value, the air pump will stop working automatically.

DEFLATION PROCESS

Switching To Deflate

Remove the hose from the inflation inlet, Connect the pump hose fixing to the deflation outlet on the pump, and twist clockwise to tighten it, as **Figure 1**.

Connect the nozzle end of the hose to in inflatable.

Press the On/Off button on the pump to start the deflation function until all the gas is removed, then press the On/Off button to stop the deflation.

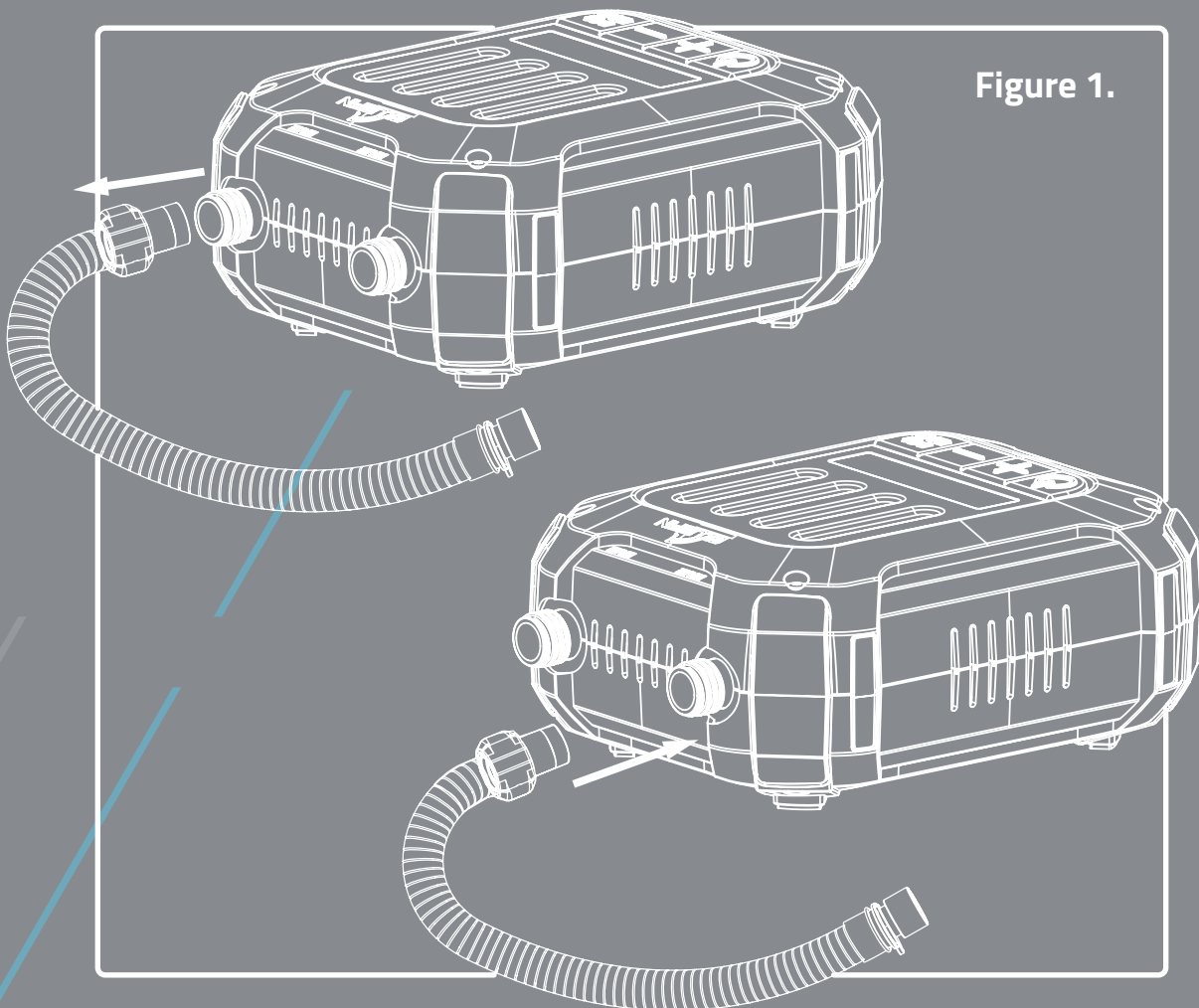


Figure 1.

TROUBLESHOOTING

Fault	Inspection	Solution
The pump will not start	<ol style="list-style-type: none">1. The power is not connected properly.2. The motor is overheated or overloaded, causing motor stalling.	<ol style="list-style-type: none">1. Make sure that the power cord is plugged into a 12V DC electric outlet.2. Allow the motor to cool before restarting.3. If the problem cannot be solved, please contact the Bluefin customer service team.
Slow or abnormal inflation.	<ol style="list-style-type: none">1. Check whether the hose is blocked or cracked.2. The joint between the hose and air pump or air bag is not installed properly.	<ol style="list-style-type: none">1. Make sure the hose is not blocked, and check whether the hose is cracked.2. Reinstall the hose.3. If the problem cannot be solved, please contact the Bluefin customer service team.
E2 on the display	<ol style="list-style-type: none">1. Forced shutdown when the temperature has reached 100.	<ol style="list-style-type: none">1. Allow the motor to cool before restarting.2. If the problem cannot be solved, please contact the Bluefin customer service team.
E3 on the display	<ol style="list-style-type: none">1. Shutdown protection without increasing air pressure.	<ol style="list-style-type: none">1. Check for air leaks.2. If the problem cannot be solved, please contact the Bluefin customer service team.

SAFETY

The applied power source must be the 12V DC power source as Figure 1.

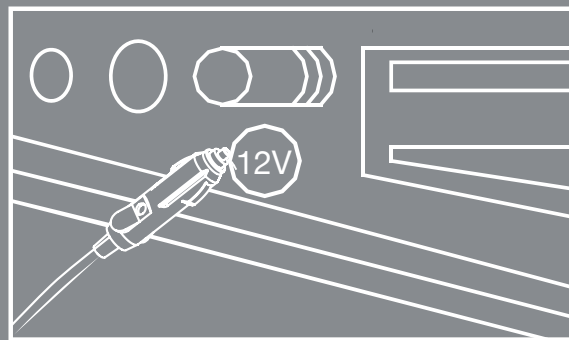


Figure 1.

Do not block the inflation inlet and deflation outlet , and ensure that the inflation inlet and deflation outlet shall remain smooth at all time.

Disposal: Do not dispose of this product as unsorted waste. It must be collected separately for special disposal.

Do not use this product when the hose is damage. Please change the hose immediately. Do not pull out the hose when inflating, this may cause physical bodily injury.

Don't use the air pump work for more than 20 minutes, this may cause the motor to overheat and create internal damage. Let the air pump cool for 30 minutes after being used continuously for 30 minutes.

Do not use the air pump if any part is damaged, and please contact Bluefin customer service. In order to prevent risk, do not face the inflation inlet at the face or body. Please do not leave unattended whilst inflating.

PRECAUTIONS

Warning: In order to reduce the risk of injury, please keep children away from the pump and any power wires. Always supervise children when using the pump.

Warning: The pump should be kept away from and not submerged in water.

Warning: Before moving, maintaining, repairing or adjusting this product, please first pull out the DC plug from the socket.

Warning: Make sure the wire is safe when in use and cannot be damaged by any other equipment.

Warning: If the power wire is damaged, the pump must not be used.

Warning: If you are standing in a place with water or your hands are wet, please don't use the power cable.

Warning: Before inflating, please check the maximum bearable pressure of the inflatable product to prevent any damage.

Warning: Before using the 12V adapter, please check the 12V socket to make sure that there is no rust or residue inside. Poor electrical conduction may cause overheating of the product or power source, which will damage the pumps.

Warning: Use the product responsibly and follow all guidance in the instruction book.

Warning: Do not use the product around any flammables.

Warning: Use the product at an ambient temperature of no more than 40 degrees.

Warning: Make sure the hose, the switch, 12V power adapter and the digital display work prior to use.

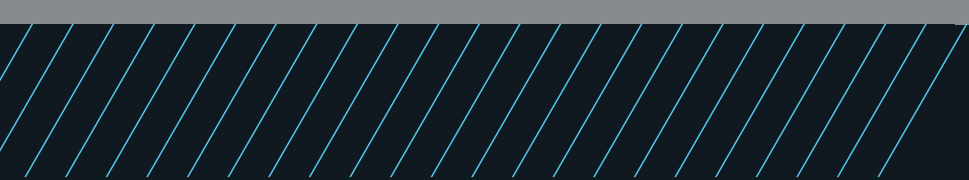
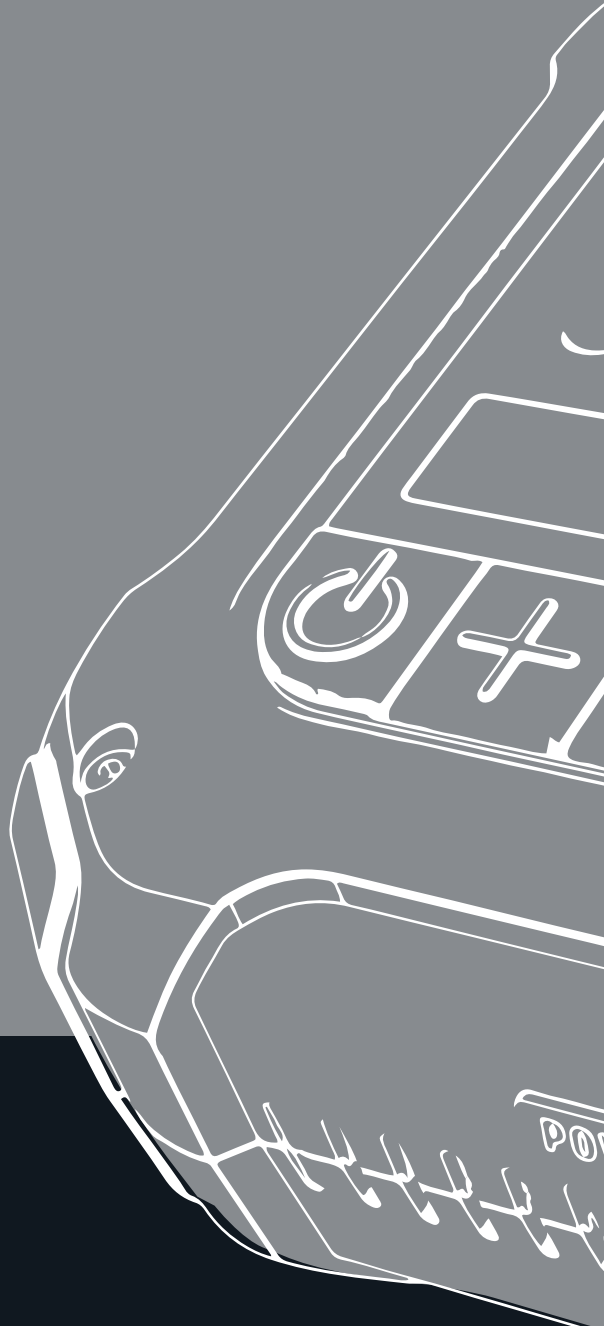
Warning: Keep away from heat sources, humidity, dust and direct sunlight.

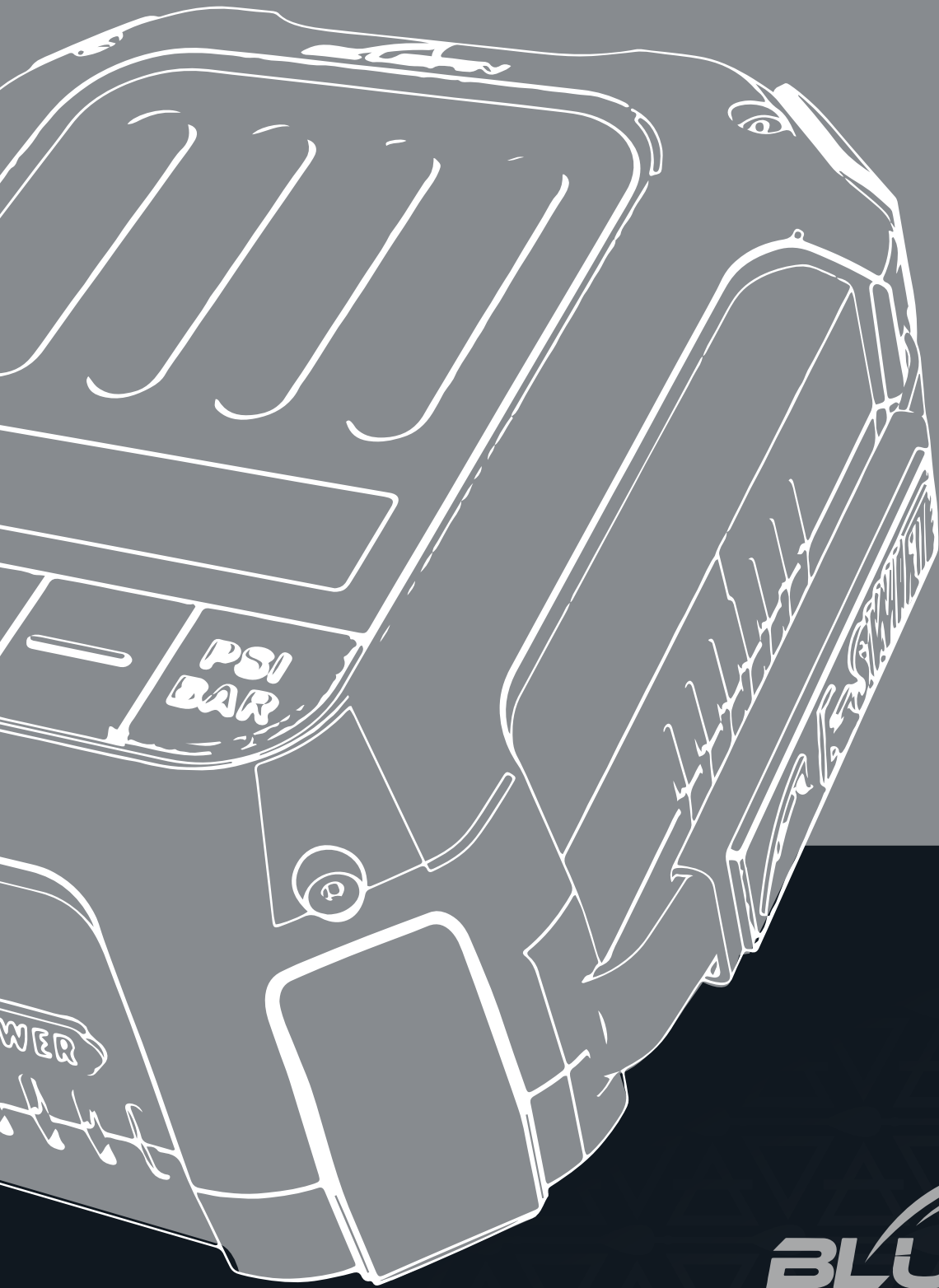
Warning: Do not throw this product into a fire for fear of explosion or other danger.

FR

BLUEFIN







**INSTRUCTION
MANUAL**

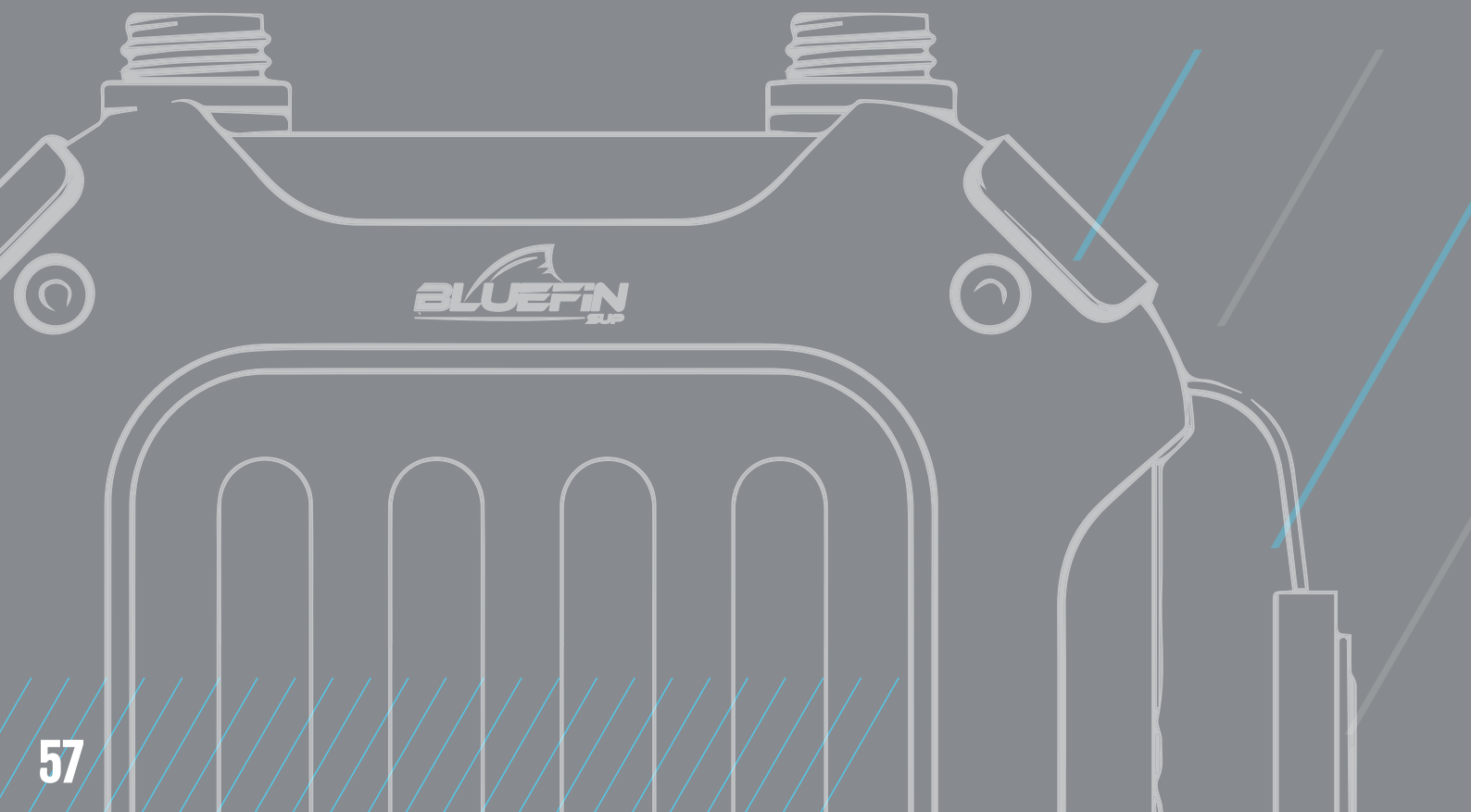
E-SWIFT

20PSI AIR PUMP

CONTENTS

PAGE

Parts List	2
Inflation Process	4
Deflation Process	5
Safety Instructions	6
Precautions	7
Troubleshooting	8
Breakdown Cover	9



IT

WELCOME **TO THE CLUB**

Hey,

Welcome to the Bluefin SUP community! We're glad to have you on board. Your journey with us doesn't end at the point of purchase.

As a member of our community, you're entitled to many benefits including lifetime support from our customer service team and an extended warranty on all our products. Remember to activate your warranty by scanning the QR code (see 'Breakdown cover') or by visiting our website.

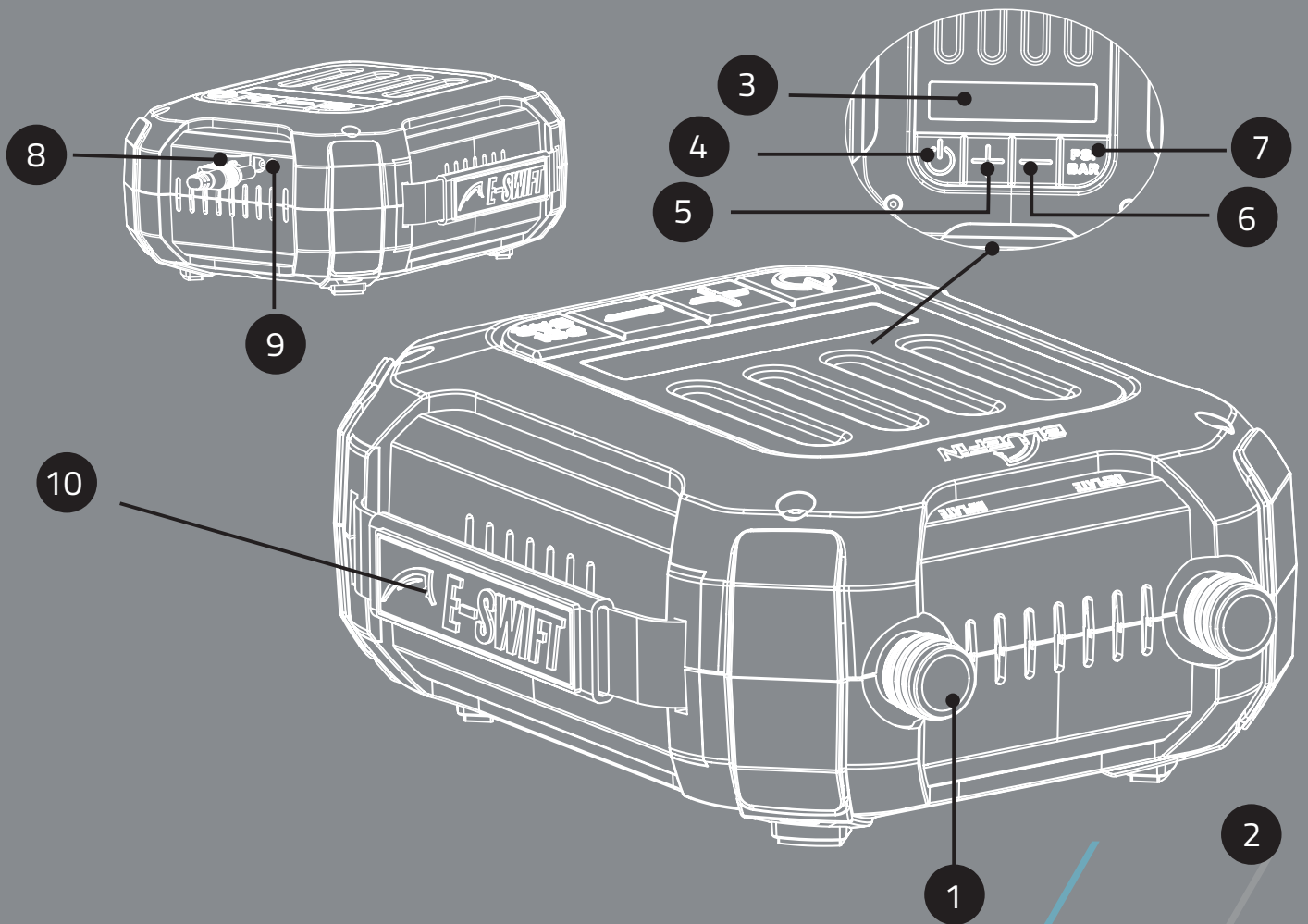
We hope you enjoy your product and choose to explore the full Bluefin SUP range. To get the best of your product, we recommend that you read and refer back to the contents of this manual.

You can also find additional help and resources at www.bluefinsupboards.com.

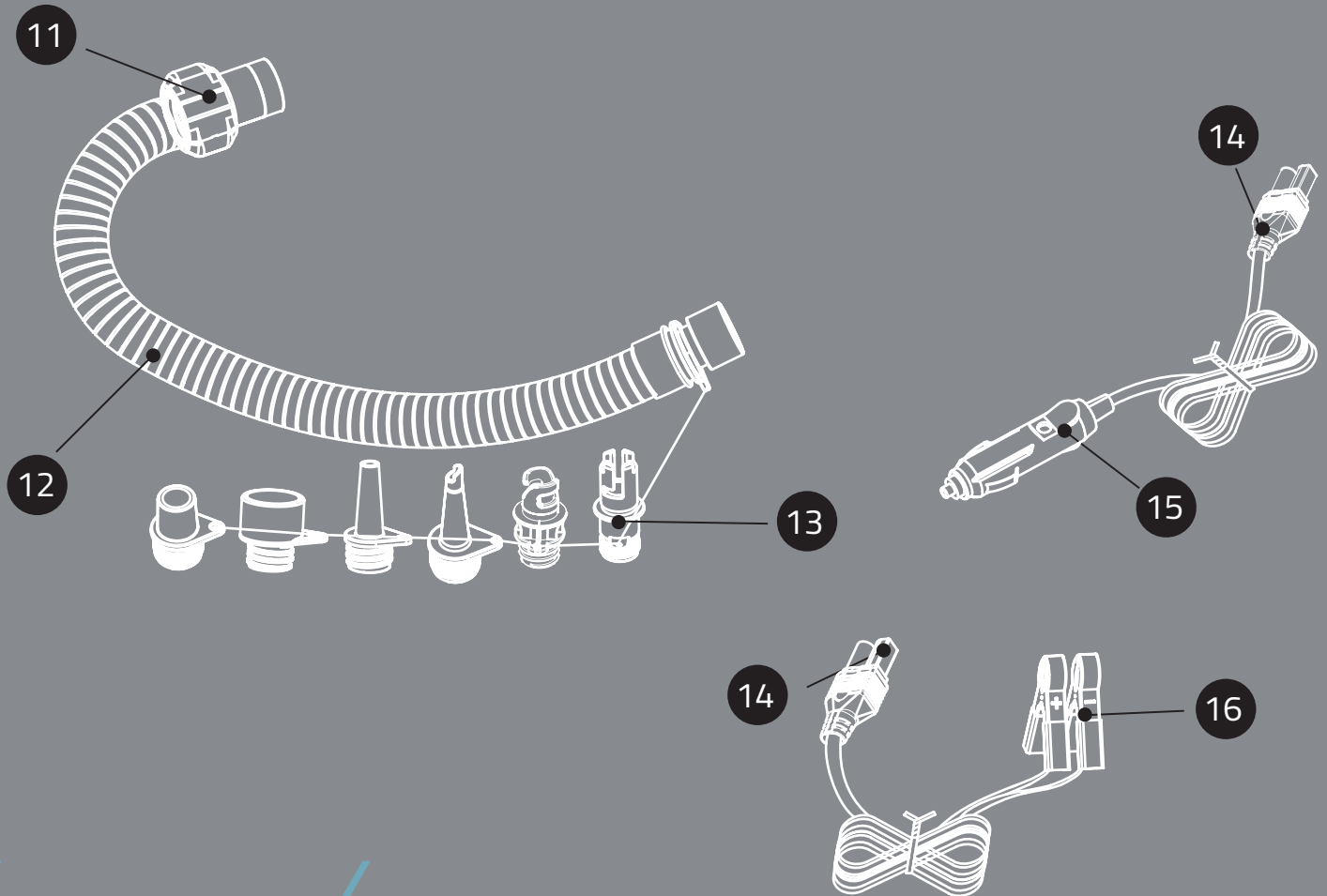
The Bluefin SUP team

E-SWIFT

PARTS LIST



- ① Inflation inlet
- ② Deflation outlet
- ③ Pressure value display
- ④ On/Off button
- ⑤ Pressure increase button
- ⑥ Pressure decrease button
- ⑦ Pressure unit toggle button
- ⑧ Silicone power cover
- ⑨ Power input
- ⑩ Webbing handle

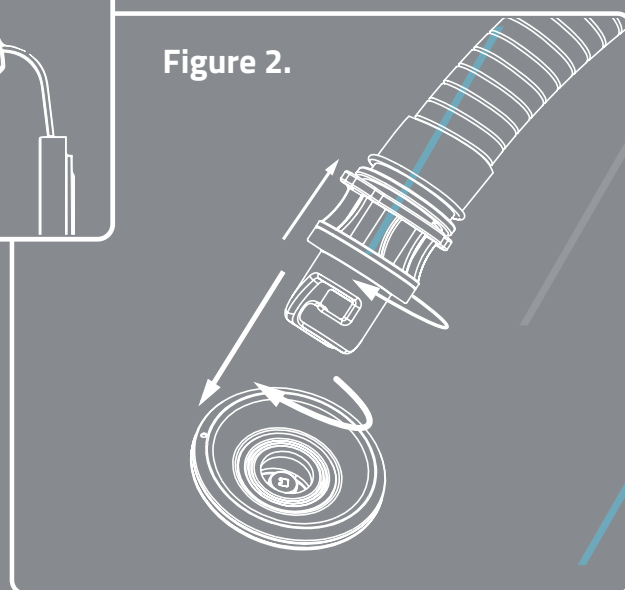
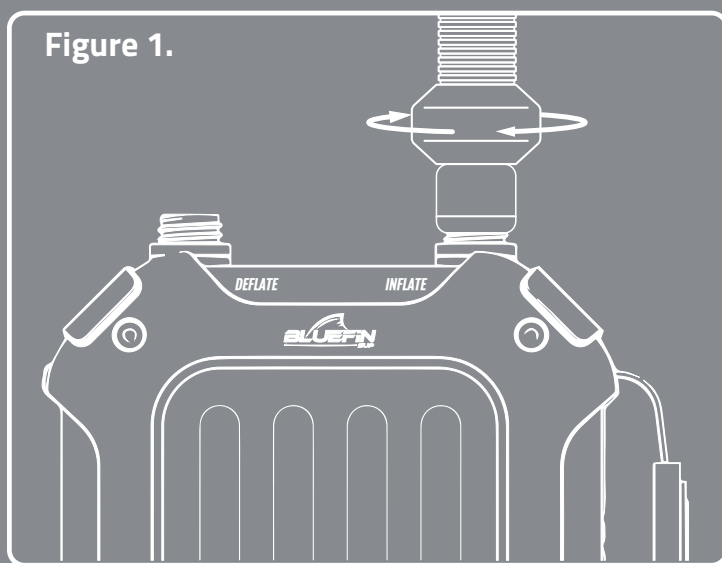


- ① Pump hose fixing
- ② Pump hose
- ③ Hose nozzle adapters
- ④ Power connector
- ⑤ 12V Power adapter
- ⑥ Battery power clips

INFLATION PROCESS

Connecting The Hose

Connect the pump hose fixing to the inflation inlet and twist clockwise to tighten it, as **Figure 1**. Install the required nozzle adapter to the other end of the hose and twist clockwise to tighten it. Insert the nozzle adapter into the inflatable and twist clockwise to fix it as **Figure 2**. Some Inflatables need a different nozzle adapter so please check the manufacturers guidance on this before choosing the correct one.



INFLATION PROCESS

Connecting The Power

Lift the silicon power input cover and insert the power connector into the power input on the pump as **Figure 1**.

Insert the 12V power adapter into a 12V DC socket as **Figure 2a**. Alternatively connect the battery power clips to a battery on its positive and negative poles (the red colour to the positive pole and the black colour to the negative pole) as **Figure 2b**.

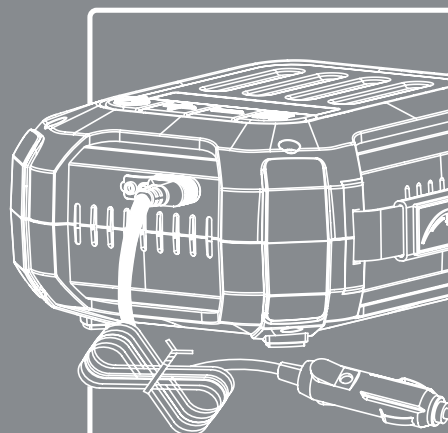
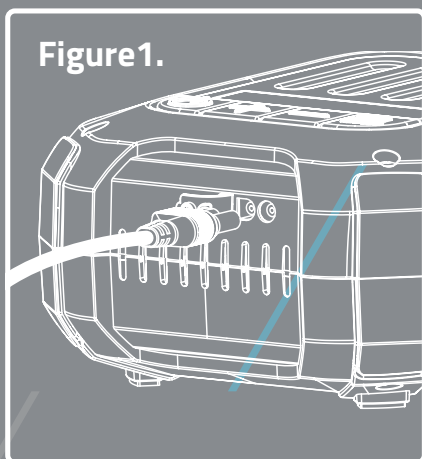


Figure 2a.

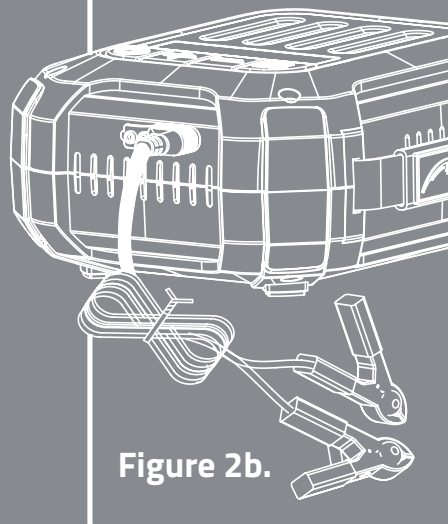
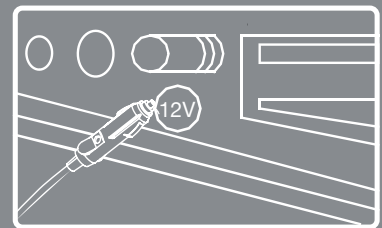
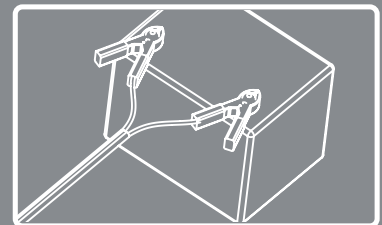


Figure 2b.

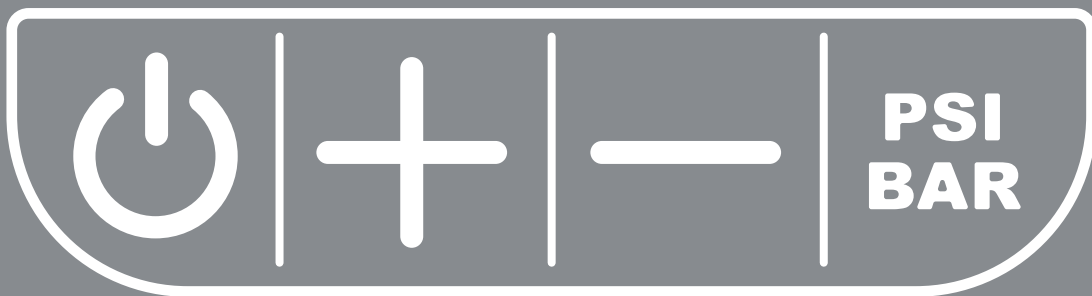


INFLATION PROCESS

Operating The Pump

Press the pressure unit toggle button **PSI
BAR** to select the unit you need.

Press the pressure increase button **+** or decrease button **-** to set the required pressure value you need. The pressure value can range from 0 to 20PSI.



After finishing the above steps, press the On/Off button **⏻** to start to inflate.

During the inflation process, you can press the pressure increase or decrease button to change the pressure value, press the pressure unit toggle button to switch the unit, and press the On/Off button to stop.

Press and hold the On/Off button for 3 seconds to start the pump using the most previously used pressure value.

Check that this does not exceed the limit for your current inflatable to avoid causing any damage.

When the pressure reaches the set value, the air pump will stop working automatically.

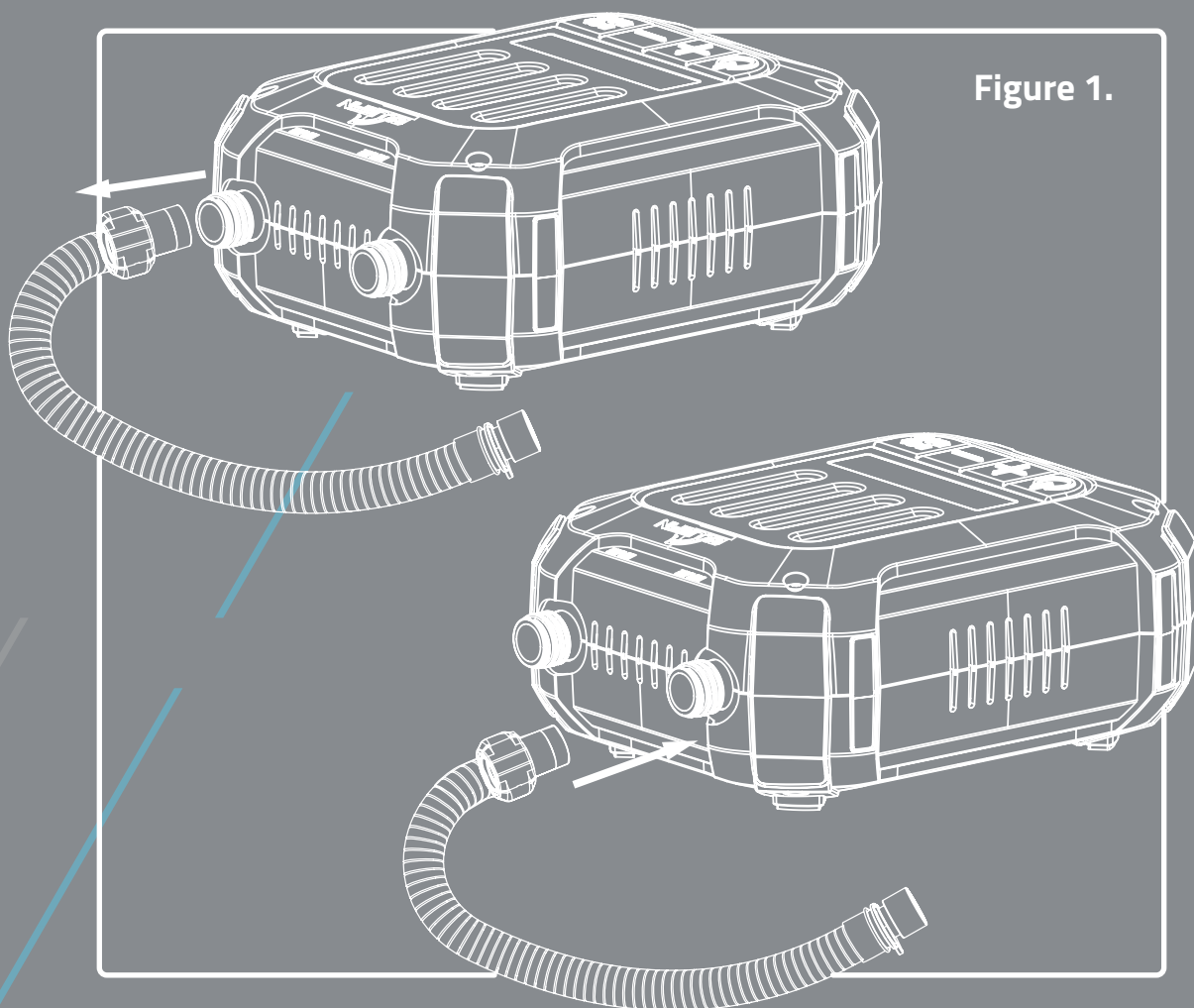
DEFLATION PROCESS

Switching To Deflate

Remove the hose from the inflation inlet, Connect the pump hose fixing to the deflation outlet on the pump, and twist clockwise to tighten it, as **Figure 1**.

Connect the nozzle end of the hose to in inflatable.

Press the On/Off button on the pump to start the deflation function until all the gas is removed, then press the On/Off button to stop the deflation.



TROUBLESHOOTING

Fault	Inspection	Solution
The pump will not start	<ol style="list-style-type: none">1. The power is not connected properly.2. The motor is overheated or overloaded, causing motor stalling.	<ol style="list-style-type: none">1. Make sure that the power cord is plugged into a 12V DC electric outlet.2. Allow the motor to cool before restarting.3. If the problem cannot be solved, please contact the Bluefin customer service team.
Slow or abnormal inflation.	<ol style="list-style-type: none">1. Check whether the hose is blocked or cracked.2. The joint between the hose and air pump or air bag is not installed properly.	<ol style="list-style-type: none">1. Make sure the hose is not blocked, and check whether the hose is cracked.2. Reinstall the hose.3. If the problem cannot be solved, please contact the Bluefin customer service team.
E2 on the display	<ol style="list-style-type: none">1. Forced shutdown when the temperature has reached 100.	<ol style="list-style-type: none">1. Allow the motor to cool before restarting.2. If the problem cannot be solved, please contact the Bluefin customer service team.
E3 on the display	<ol style="list-style-type: none">1. Shutdown protection without increasing air pressure.	<ol style="list-style-type: none">1. Check for air leaks.2. If the problem cannot be solved, please contact the Bluefin customer service team.

SAFETY

The applied power source must be the 12V DC power source as Figure 1.

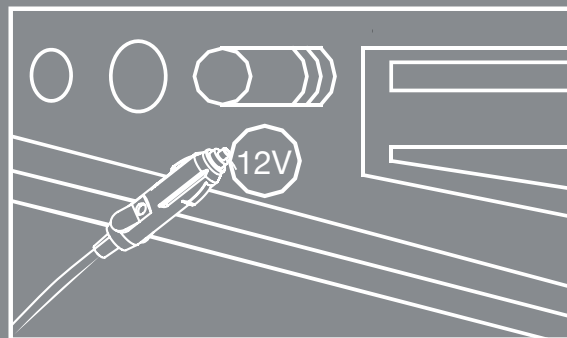


Figure 1.

Do not block the inflation inlet and deflation outlet , and ensure that the inflation inlet and deflation outlet shall remain smooth at all time.

Disposal: Do not dispose of this product as unsorted waste. It must be collected separately for special disposal.

Do not use this product when the hose is damage. Please change the hose immediately. Do not pull out the hose when inflating, this may cause physical bodily injury.

Don't use the air pump work for more than 20 minutes, this may cause the motor to overheat and create internal damage. Let the air pump cool for 30 minutes after being used continuously for 30 minutes.

Do not use the air pump if any part is damaged, and please contact Bluefin customer service. In order to prevent risk, do not face the inflation inlet at the face or body. Please do not leave unattended whilst inflating.

PRECAUTIONS

Warning: In order to reduce the risk of injury, please keep children away from the pump and any power wires. Always supervise children when using the pump.

Warning: The pump should be kept away from and not submerged in water.

Warning: Before moving, maintaining, repairing or adjusting this product, please first pull out the DC plug from the socket.

Warning: Make sure the wire is safe when in use and cannot be damaged by any other equipment.

Warning: If the power wire is damaged, the pump must not be used.

Warning: If you are standing in a place with water or your hands are wet, please don't use the power cable.

Warning: Before inflating, please check the maximum bearable pressure of the inflatable product to prevent any damage.

Warning: Before using the 12V adapter, please check the 12V socket to make sure that there is no rust or residue inside. Poor electrical conduction may cause overheating of the product or power source, which will damage the pumps.

Warning: Use the product responsibly and follow all guidance in the instruction book.

Warning: Do not use the product around any flammables.

Warning: Use the product at an ambient temperature of no more than 40 degrees.

Warning: Make sure the hose, the switch, 12V power adapter and the digital display work prior to use.

Warning: Keep away from heat sources, humidity, dust and direct sunlight.

Warning: Do not throw this product into a fire for fear of explosion or other danger.

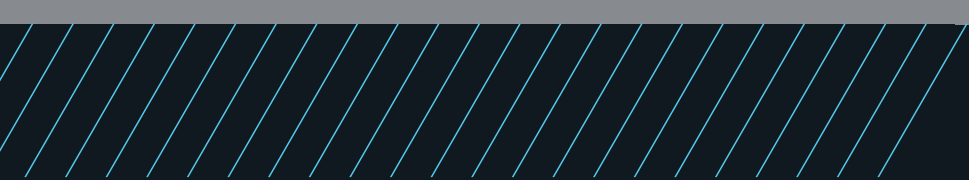
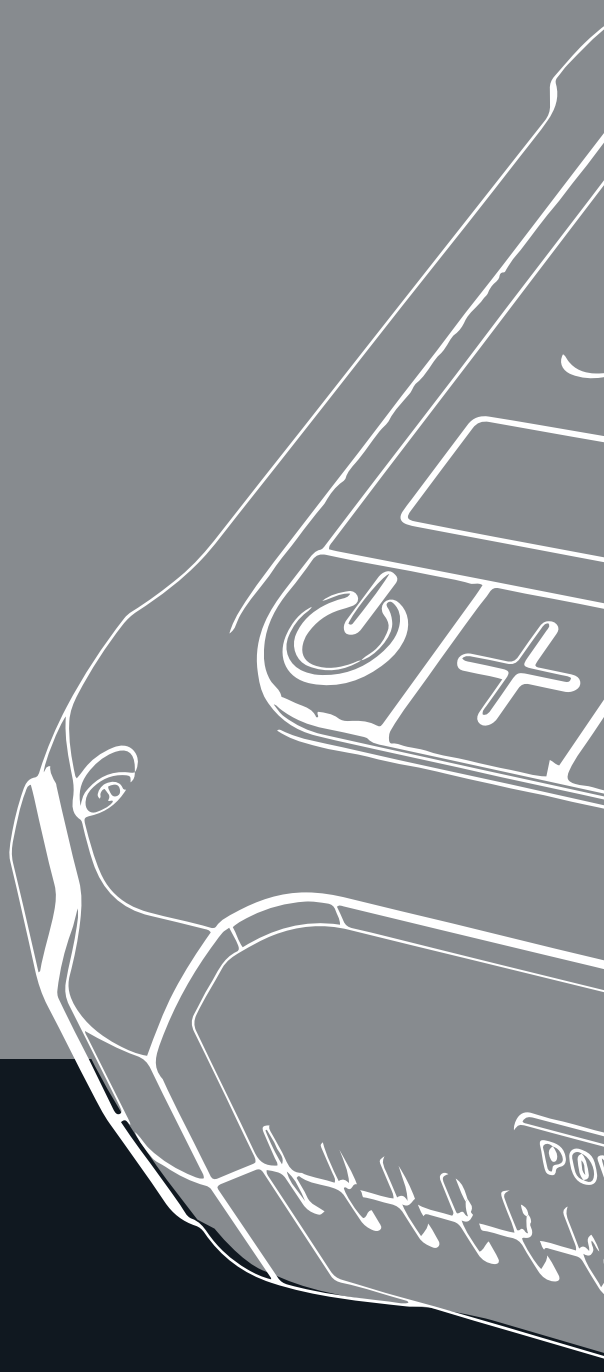
IT

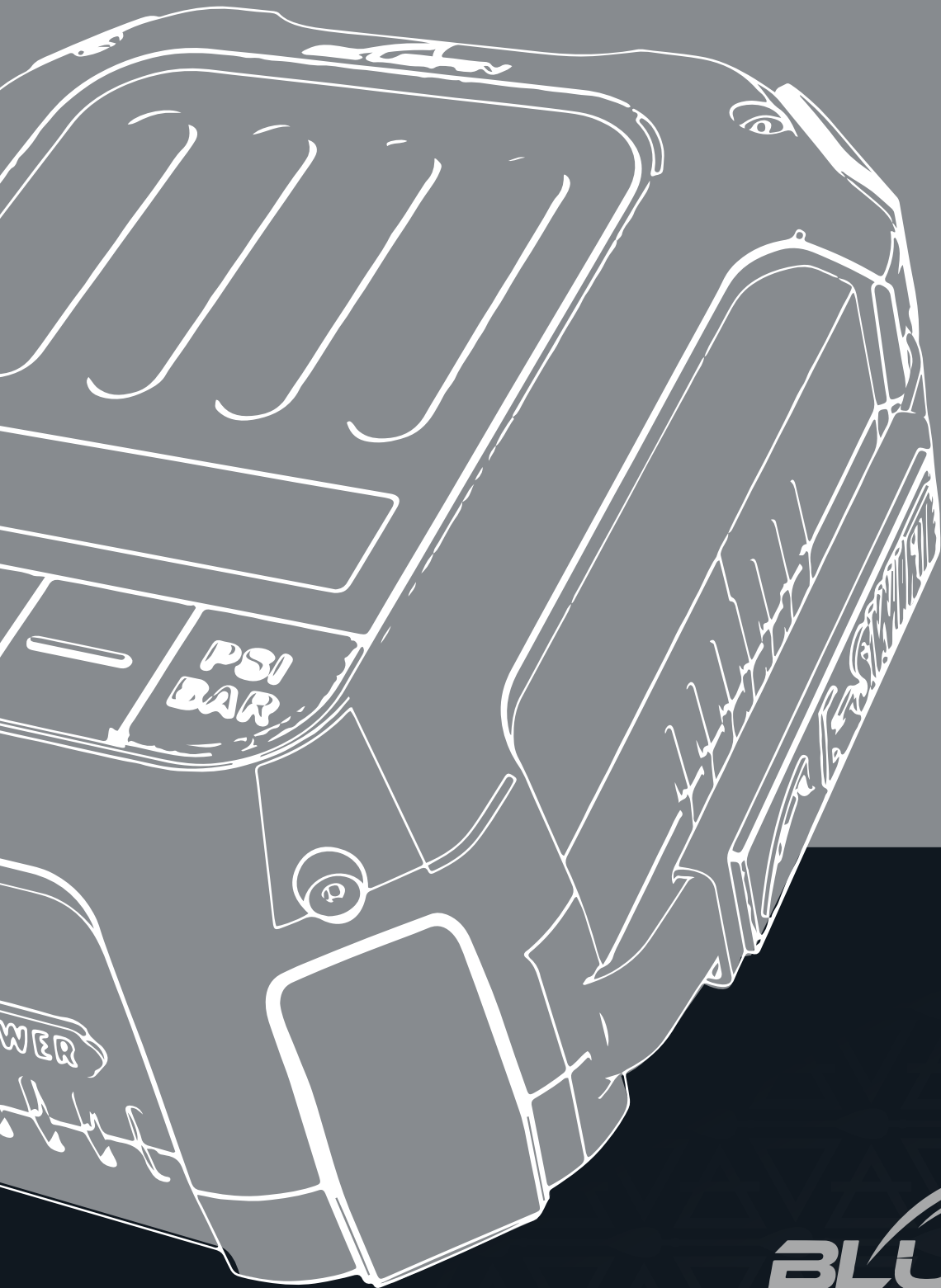
BLUEFIN

CE

UK
CA







BLUEFIN
SUP

INSTRUCTION
MANUAL

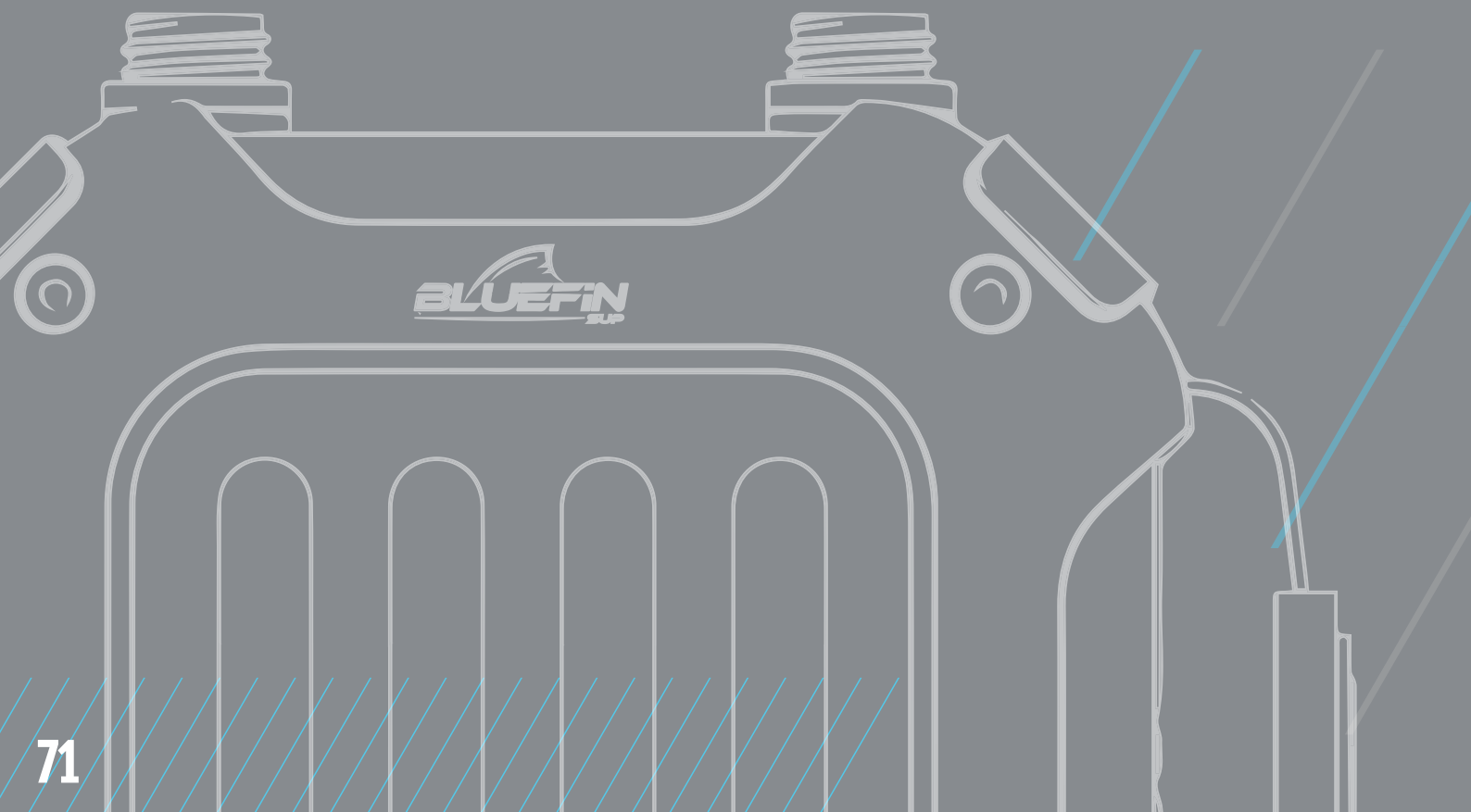
E-SWIFT

20PSI AIR PUMP

CONTENTS

PAGE

Parts List	2
Inflation Process	4
Deflation Process	5
Safety Instructions	6
Precautions	7
Troubleshooting	8
Breakdown Cover	9



WELCOME TO THE CLUB

Hey,

Welcome to the Bluefin SUP community! We're glad to have you on board. Your journey with us doesn't end at the point of purchase.

As a member of our community, you're entitled to many benefits including lifetime support from our customer service team and an extended warranty on all our products. Remember to activate your warranty by scanning the QR code (see 'Breakdown cover') or by visiting our website.

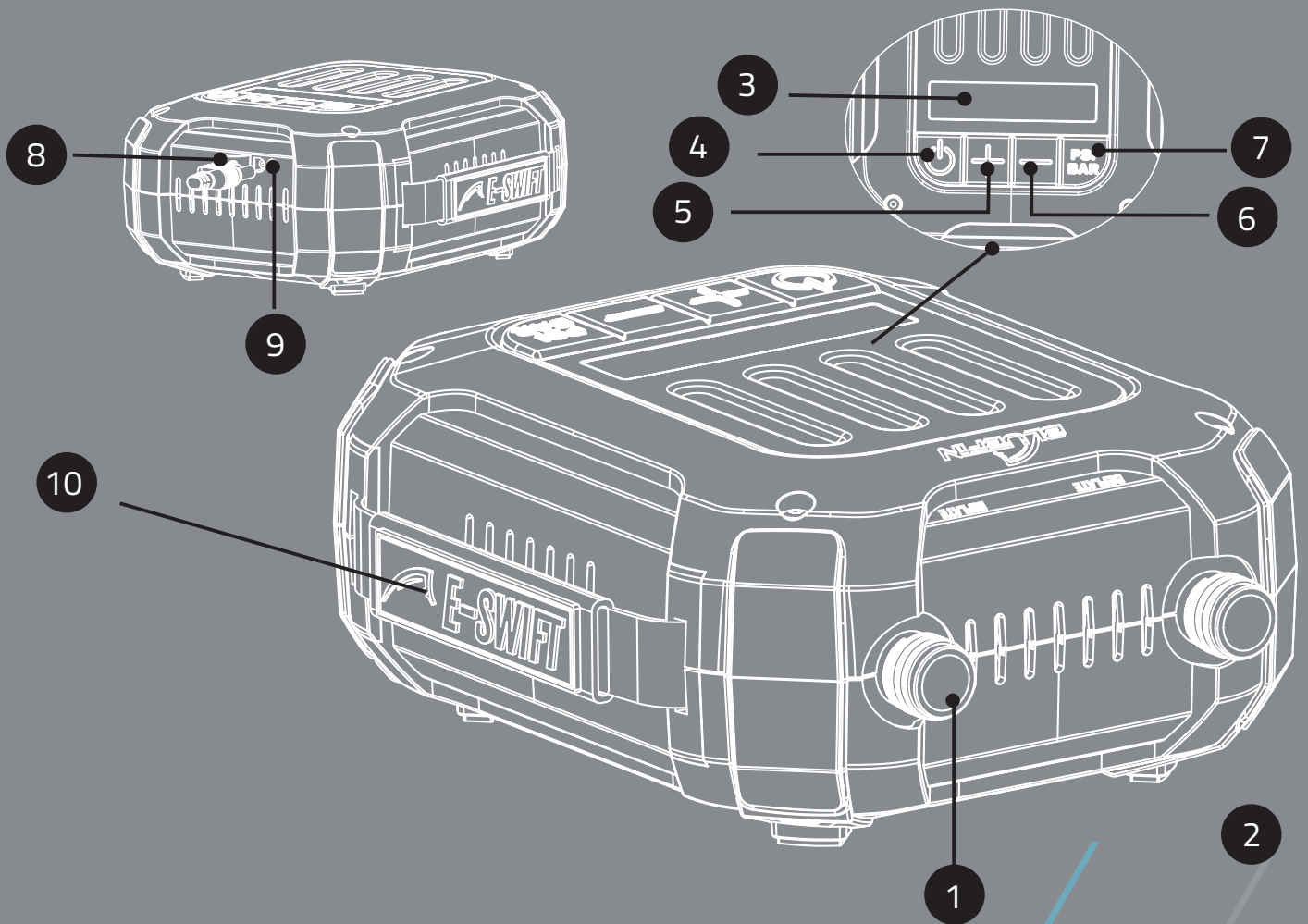
We hope you enjoy your product and choose to explore the full Bluefin SUP range. To get the best of your product, we recommend that you read and refer back to the contents of this manual.

You can also find additional help and resources at www.bluefinsupboards.com.

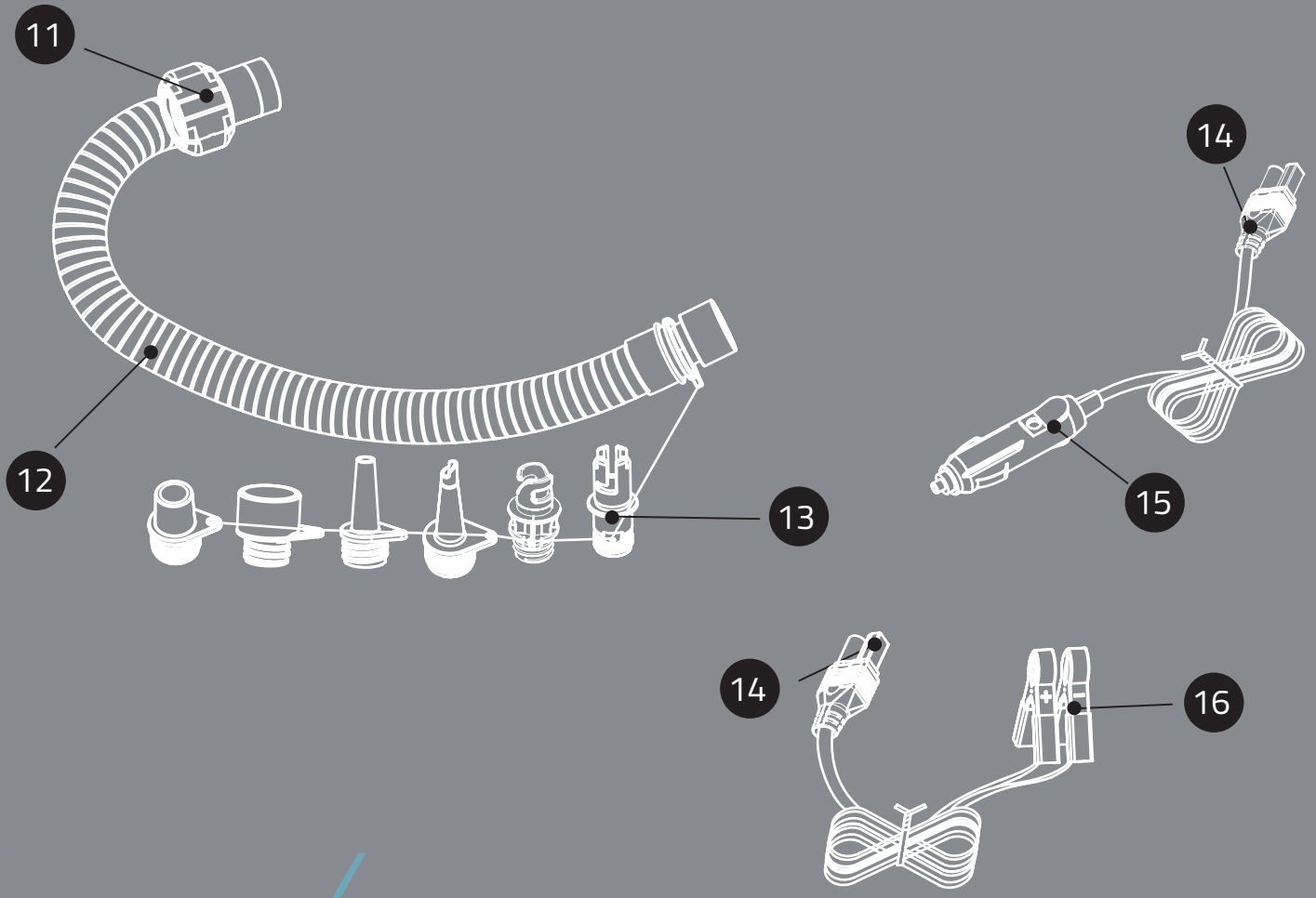
The Bluefin SUP team

E-SWIFT

PARTS LIST



- ① Inflation inlet
- ② Deflation outlet
- ③ Pressure value display
- ④ On/Off button
- ⑤ Pressure increase button
- ⑥ Pressure decrease button
- ⑦ Pressure unit toggle button
- ⑧ Silicone power cover
- ⑨ Power input
- ⑩ Webbing handle

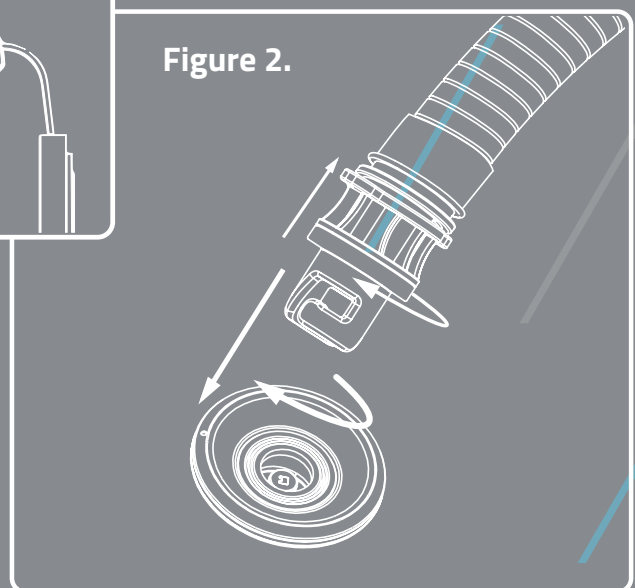
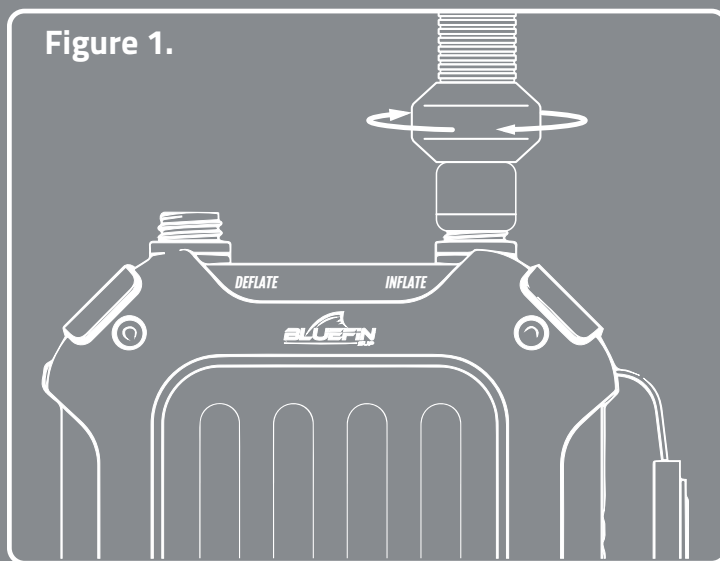


- ① Pump hose fixing
- ② Pump hose
- ③ Hose nozzle adapters
- ④ Power connector
- ⑤ 12V Power adapter
- ⑥ Battery power clips

INFLATION PROCESS

Connecting The Hose

Connect the pump hose fixing to the inflation inlet and twist clockwise to tighten it, as **Figure 1**. Install the required nozzle adapter to the other end of the hose and twist clockwise to tighten it. Insert the nozzle adapter into the inflatable and twist clockwise to fix it as **Figure 2**. Some Inflatables need a different nozzle adapter so please check the manufacturers guidance on this before choosing the correct one.



INFLATION PROCESS

Connecting The Power

Lift the silicon power input cover and insert the power connector into the power input on the pump as **Figure 1**.

Insert the 12V power adapter into a 12V DC socket as **Figure 2a**. Alternatively connect the battery power clips to a battery on its positive and negative poles (the red colour to the positive pole and the black colour to the negative pole) as **Figure 2b**.

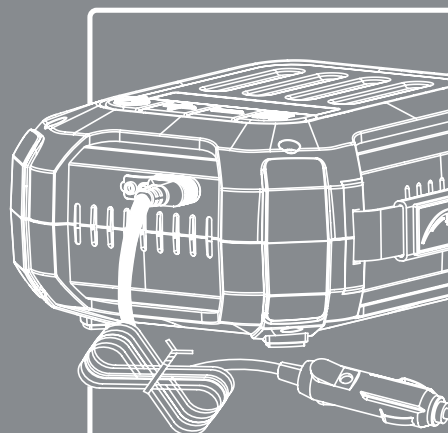
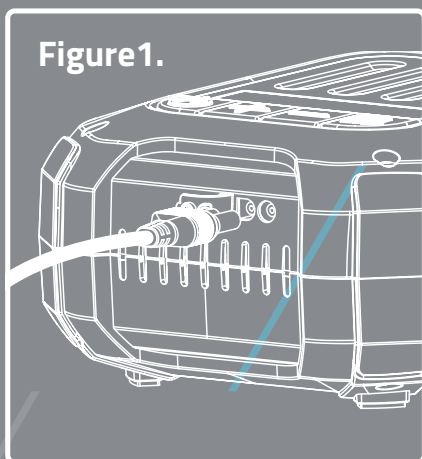


Figure 2a.

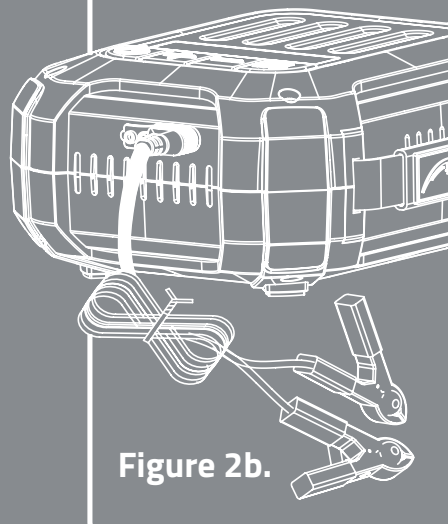
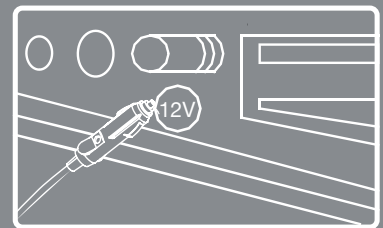
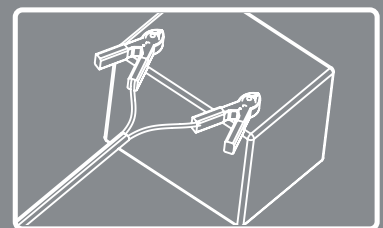


Figure 2b.

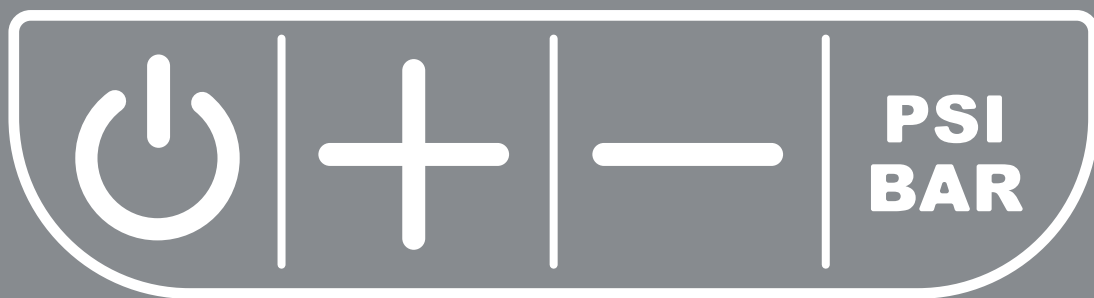


INFLATION PROCESS

Operating The Pump

Press the pressure unit toggle button **PSI
BAR** to select the unit you need.

Press the pressure increase button **+** or decrease button **-** to set the required pressure value you need. The pressure value can range from 0 to 20PSI.



After finishing the above steps, press the On/Off button **⏻** to start to inflate.

During the inflation process, you can press the pressure increase or decrease button to change the pressure value, press the pressure unit toggle button to switch the unit, and press the On/Off button to stop.

Press and hold the On/Off button for 3 seconds to start the pump using the most previously used pressure value.

Check that this does not exceed the limit for your current inflatable to avoid causing any damage.

When the pressure reaches the set value, the air pump will stop working automatically.

DEFLATION PROCESS

Switching To Deflate

Remove the hose from the inflation inlet, Connect the pump hose fixing to the deflation outlet on the pump, and twist clockwise to tighten it, as **Figure 1**.

Connect the nozzle end of the hose to in inflatable.

Press the On/Off button on the pump to start the deflation function until all the gas is removed, then press the On/Off button to stop the deflation.

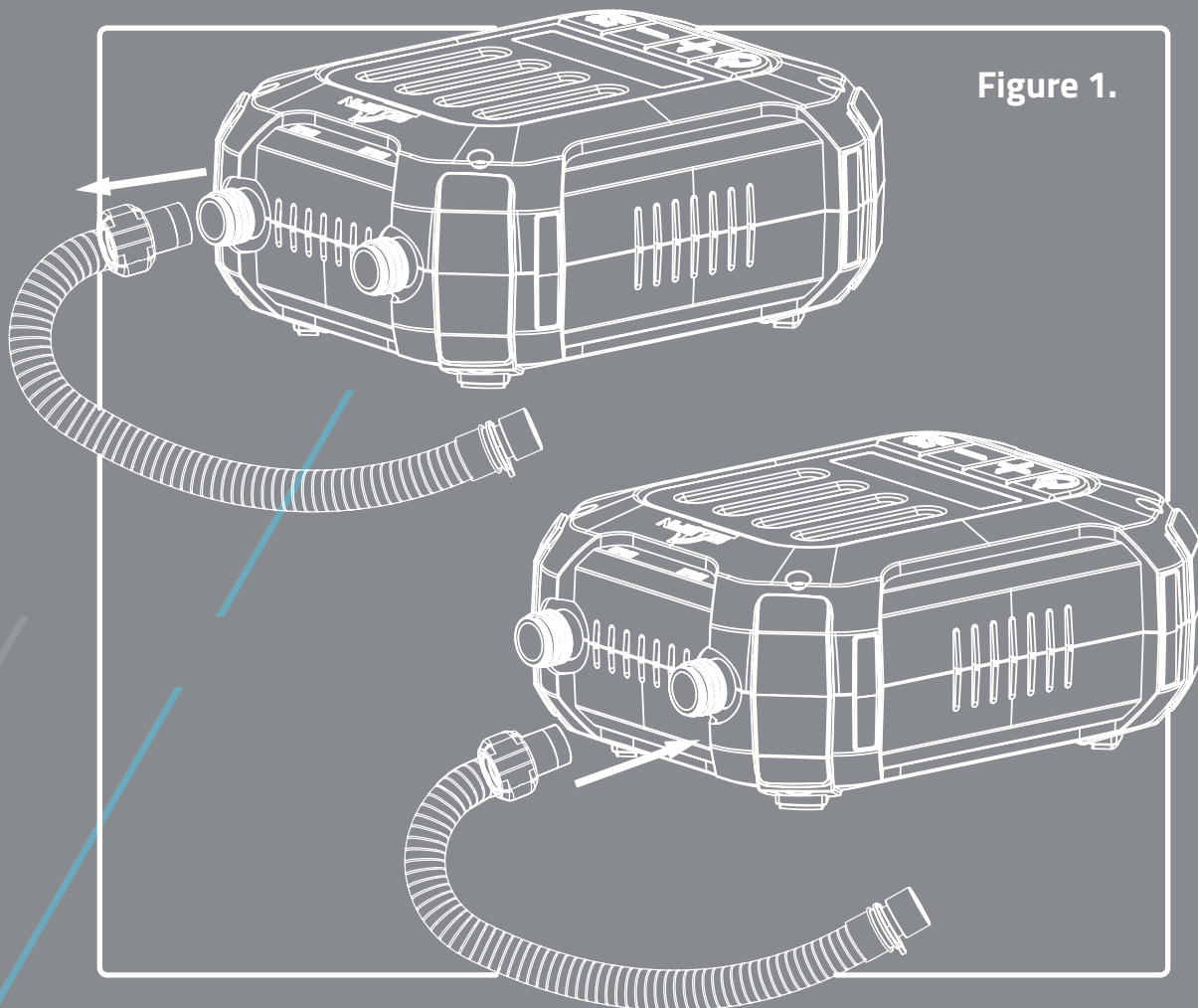


Figure 1.

TROUBLESHOOTING

Fault	Inspection	Solution
The pump will not start	<ol style="list-style-type: none">1. The power is not connected properly.2. The motor is overheated or overloaded, causing motor stalling.	<ol style="list-style-type: none">1. Make sure that the power cord is plugged into a 12V DC electric outlet.2. Allow the motor to cool before restarting.3. If the problem cannot be solved, please contact the Bluefin customer service team.
Slow or abnormal inflation.	<ol style="list-style-type: none">1. Check whether the hose is blocked or cracked.2. The joint between the hose and air pump or air bag is not installed properly.	<ol style="list-style-type: none">1. Make sure the hose is not blocked, and check whether the hose is cracked.2. Reinstall the hose.3. If the problem cannot be solved, please contact the Bluefin customer service team.
E2 on the display	<ol style="list-style-type: none">1. Forced shutdown when the temperature has reached 100.	<ol style="list-style-type: none">1. Allow the motor to cool before restarting.2. If the problem cannot be solved, please contact the Bluefin customer service team.
E3 on the display	<ol style="list-style-type: none">1. Shutdown protection without increasing air pressure.	<ol style="list-style-type: none">1. Check for air leaks.2. If the problem cannot be solved, please contact the Bluefin customer service team.

SAFETY

The applied power source must be the 12V DC power source as Figure 1.

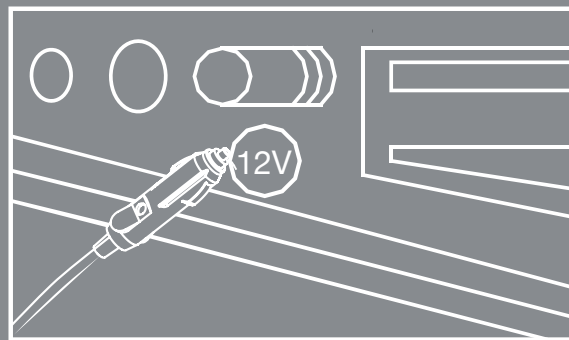


Figure 1.

Do not block the inflation inlet and deflation outlet, and ensure that the inflation inlet and deflation outlet shall remain smooth at all time.

Disposal: Do not dispose of this product as unsorted waste. It must be collected separately for special disposal.

Do not use this product when the hose is damage. Please change the hose immediately. Do not pull out the hose when inflating, this may cause physical bodily injury.

Don't use the air pump work for more than 20 minutes, this may cause the motor to overheat and create internal damage. Let the air pump cool for 30 minutes after being used continuously for 30 minutes.

Do not use the air pump if any part is damaged, and please contact Bluefin customer service. In order to prevent risk, do not face the inflation inlet at the face or body. Please do not leave unattended whilst inflating.

PRECAUTIONS

Warning: In order to reduce the risk of injury, please keep children away from the pump and any power wires. Always supervise children when using the pump.

Warning: The pump should be kept away from and not submerged in water.

Warning: Before moving, maintaining, repairing or adjusting this product, please first pull out the DC plug from the socket.

Warning: Make sure the wire is safe when in use and cannot be damaged by any other equipment.

Warning: If the power wire is damaged, the pump must not be used.

Warning: If you are standing in a place with water or your hands are wet, please don't use the power cable.

Warning: Before inflating, please check the maximum bearable pressure of the inflatable product to prevent any damage.

Warning: Before using the 12V adapter, please check the 12V socket to make sure that there is no rust or residue inside. Poor electrical conduction may cause overheating of the product or power source, which will damage the pumps.

Warning: Use the product responsibly and follow all guidance in the instruction book.

Warning: Do not use the product around any flammables.

Warning: Use the product at an ambient temperature of no more than 40 degrees.

Warning: Make sure the hose, the switch, 12V power adapter and the digital display work prior to use.

Warning: Keep away from heat sources, humidity, dust and direct sunlight.

Warning: Do not throw this product into a fire for fear of explosion or other danger.

NL


BLUEFIN

CE

UK
CA



