

# Pebble key escutcheon

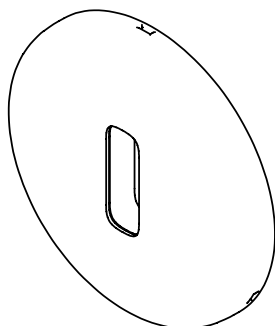
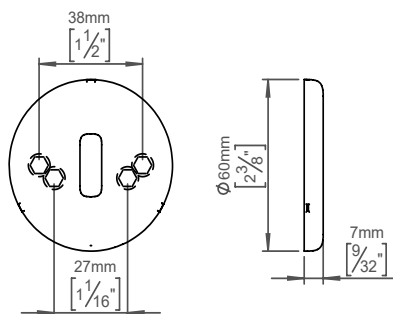
## Bjarke Ingels Group collection

**Product** 60mm, snap-on cover, cc 27/38mm.

**Tender text**

Bjarke Ingels Group collection, pebble key escutcheon, snap-on-cover, Ø60x7mm in satin finished AISI 304 stainless steel. 20-year warranty.

**Product specification** Dimensions: 60x60x34mm  
Material: stainless steel AISI 304  
Surface finish: satin grain 320  
[20-year warranty \(5 years for coated items\)](#)



**Available finishes**



Powder coated

**Spare parts/ accessories**

**Mounting** <https://dline.com/mounting-instructions/>

**Product care**

d line products are produced in the highest quality AISI 304 stainless steel. To sustain the unique d line finish please follow the below instructions:

- Wash down the surfaces using soapy water or mild detergent
  - Always thoroughly rinse off with clean water
  - To complete the cleaning procedure dry/polish the surface with a soft dry cloth
- Please do not use scouring powder, steel wool, chloride based detergents or other aggressive cleaning products as these may damage the surface.
- If spots or corrosion appear on the surface it is not due to the stainless steel quality, but to impurities in the environment, aggressive conditions or improper or insufficient cleaning.