

# Key escutcheon

## Knud Holscher collection

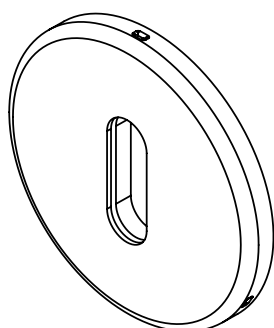
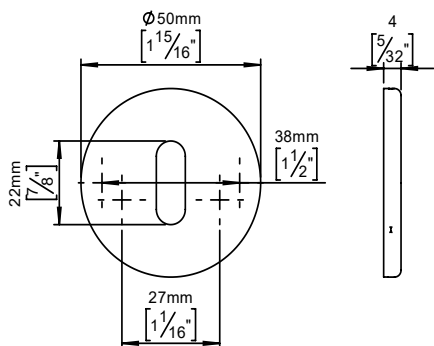
**Product** Ø50mm, cc 27/38mm, snap-on cover.

**Tender text** Knud Holscher collection, key escutcheon, Ø50mm, snap-on cover, cc 27/38mm. Manufactured in the highest quality marine grade, AISI 316 stainless steel, protecting against high levels of corrosion. 20-year warranty.

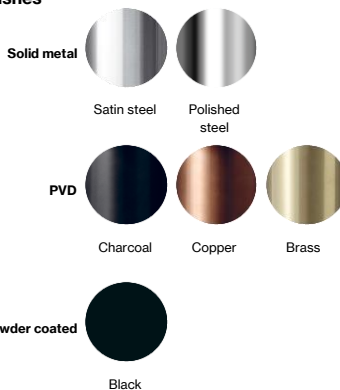
Re-handle® this product to prolong its life span up to 100 years, lowering the Global Warming potential (CO2).

[Re-handle your product here](#)

**Product specification** Dimensions: 50x50x4mm  
Material: stainless steel AISI 316  
Surface finish: satin grain 320, hand crafted  
[20-year warranty \(5 years for coated items\)](#)



### Available finishes



Please note: PVD and powder coated items cannot be Re-handled

**Spare parts/ accessories** P 80 - Accessories for fixing

**Mounting** <https://dline.com/mounting-instructions/>

### Product care

d line products are produced in the highest quality marine grade AISI 316 stainless steel. To sustain the unique d line finish please follow the below instructions:

- Wash down the surfaces using soapy water or mild detergent
- Always thoroughly rinse off with clean water

• To complete the cleaning procedure dry/polish the surface with a soft dry cloth  
Please do not use scouring powder, steel wool, chloride based detergents or other aggressive cleaning products as these may damage the surface.

If spots or corrosion appear on the surface it is not due to the stainless steel quality, but to impurities in the environment, aggressive conditions or improper or insufficient cleaning.