

LED WALL PACK LIGHT

INSTRUCTION MANUAL

- Thank you for purchasing our product. Please read the below articles carefully to see how to use this product safely.
- Warning contents and attention contents related to product safely use, please be sure to follow it.

⚠ WARNING



Risk of Fire, Electrical Shock, Cuts or other Casualty Hazards-Installation and maintenance of this product must be performed by a qualified electrician. This product must be installed in accordance with the applicable installation code by a person familiar with the construction and operation of the product and hazards involved.



Risk of Fire and Electric Shock-Make certain power is OFF before starting installation or attempting any maintenance. Disconnect power at fuse or circuit breaker.



Risk of Fire-Minimum 90°C supply conductors.
Risk of Burn-Disconnect power and allow fixture to cool before handling or servicing.
Risk of Personal Injury-Due to sharp edges, handle with care.

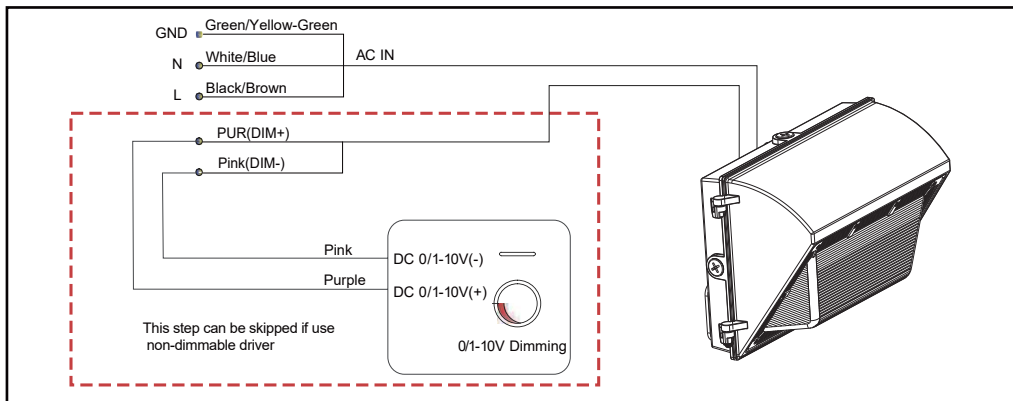


Failure to comply with these instructions may result in death, serious bodily injury and property damage.

Attention

- 1.This product within the input voltage range: 100-277V, 50/60Hz.
- 2.If input voltage exceeds this range, it may cause the lamp failure. Please be sure to operate under correct input voltage.
- 3.Ensure ambient operating temperature of -35°C-50°C.
- 4.Using this product in temperatures outside of this range will reduce the product lifespan.
- 5.Make sure to turn off power before starting the installation process.
- 6.IP rating of Ip65, can work under damp/wet locations.
- 7.Please keep the product away from any corrosive substance. When you clean it, please use damp or dry cloth.

Wiring Diagram



Installation

