

# UFO High Bay

## INSTRUCTION MANUAL

- Thank you for purchasing our UFO Highbay. Please read the below articles carefully to see how to use this product safely.
- Warning contents and attention contents related to product safety use, please be sure to follow it.

### ⚠ WARNING



Risk of Fire, Electrical Shock, Cuts or other Casualty Hazards- Installation and maintenance of this product must be performed by a qualified electrician. This product must be installed in accordance with the applicable installation code by a person familiar with the construction and operation of the product and hazards involved.



Risk of Fire and Electric Shock- Make certain power is OFF before starting installation or attempting any maintenance. Disconnect power at fuse or circuit breaker.



Risk of Fire- Minimum 90°C supply conductors.

Risk of Burn- Disconnect power and allow fixture to cool before handling or servicing.  
Risk of Personal Injury- Due to sharp edges, handle with care.

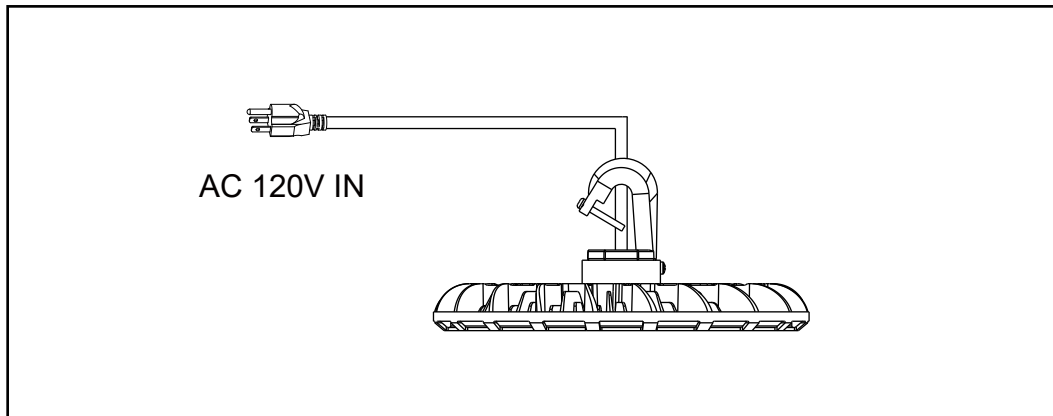


Failure to comply with these instructions may result in death, serious bodily injury and property damage.

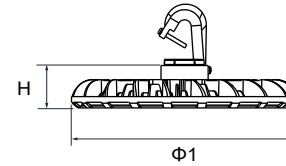
### Attention

1. This UFO High Bay within the input voltage range: 120V, 60Hz.
2. If input voltage exceeds this range, it may cause the lamp failure. Please be sure to operate under correct input voltage.
3. Ensure ambient operating temperature of -35°C~50°C.
4. Using this UFO high bay in temperatures outside of this range will reduce the UFO high bay lifespan.
5. Make sure to turn off power before starting the installation process.
6. IP rating of IP65, can work under damp/wet locations.
7. Please keep the UFO High Bay away from any corrosive substance. When you clean it, please use damp or dry cloth.

### Wiring Diagram



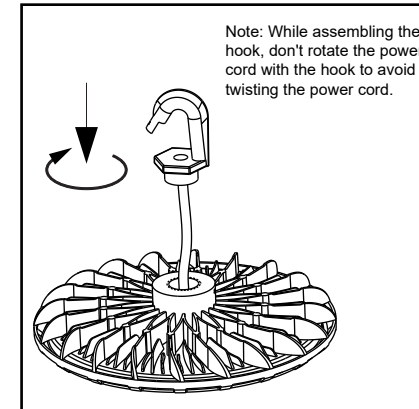
### Product Dimension:



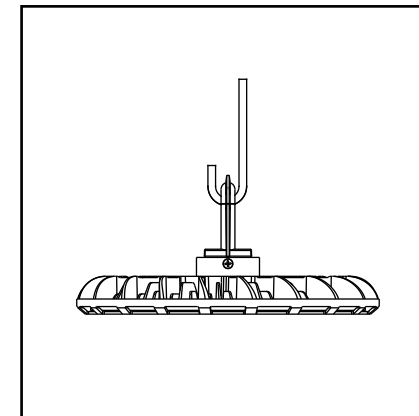
| Wattage | 100W       | 150W        |
|---------|------------|-------------|
| Φ1      | 249mm/9.8" | 290mm/11.4" |
| H       | 46mm/1.8"  | 46mm/1.8"   |

### Installation

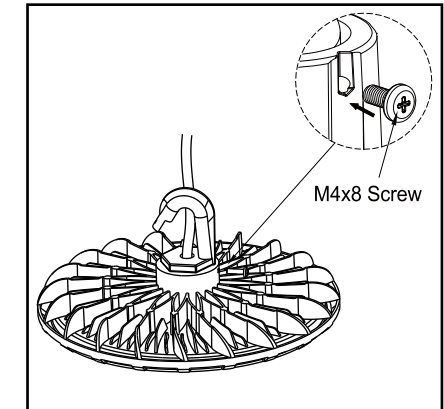
1. Take out the hook from the accessory bag, and screw the hook into the 3/4 hole of the fixture to lock it.



3. Hanging the fixture in the fixed position



2. After the hook is locked in place, there has an M4x8 screw on the hook base, please screw it tighten to ensure the hook will not rotate and fall off easily



4. Lock the M4X30 screw to ensure the fixture does not fall when it shakes.

