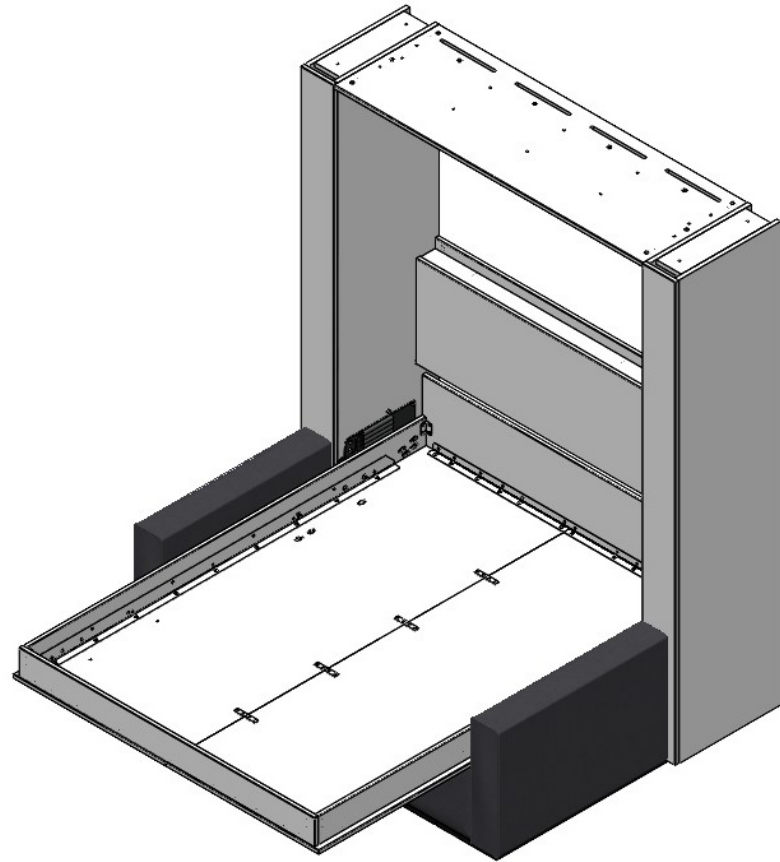
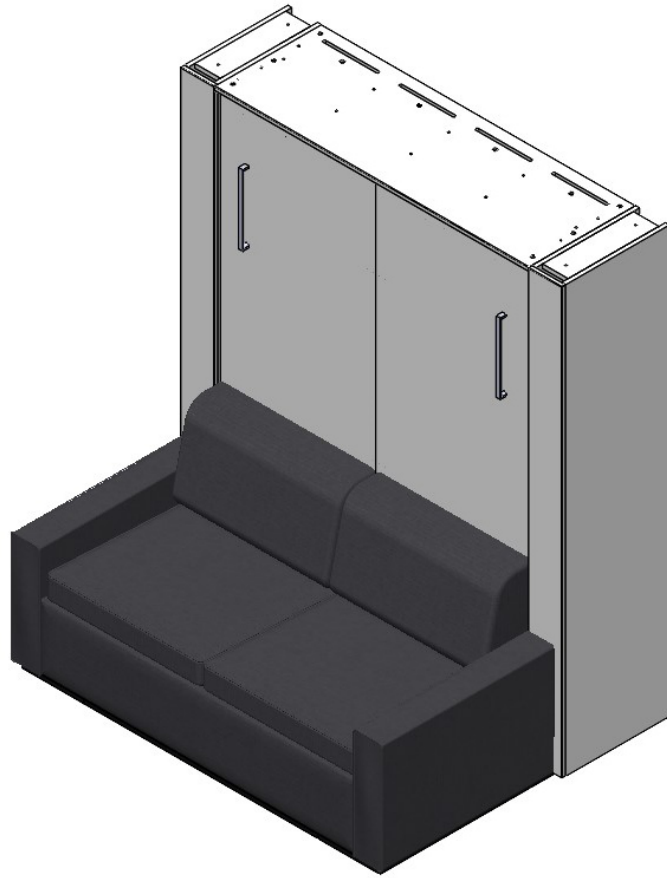


# **Sofa-WallBed** | **Assembly Manual**

Inova LLC | 2 Van Buren Blvd. | Guilderland Center, NY 12085



# Sofa-WallBed



# Quick Start Guide

**Sofa-WallBed | Assembly Manual**

# Quick Start Guide



## HELPFUL INFORMATION

- Prior to opening your shipment, check and confirm the room is completely ready to receive the furniture (see "Room Readiness Checklist" on next page).
- Place the parts in the room in order of assembly sequence, if possible. This will ensure quick and organized success assembling your Sofa-WallBed.
- The Hardware Box is located on the pallet and labeled "Hardware"
- Hardware is packed by STEP #, not PART #
- All Cabinetry and Sofa parts are labeled for easy identification
- Labels will not be seen once the Bed is completely assembled; the part label is a sticker and can be removed if desired.
- Each page of the assembly includes a "QR Code", which is linked to a video for each step. To view, open the camera app on any smart phone and direct the camera toward the QR code. You will then be redirected to the assembly video.

## ROOM READINESS CHECKLIST

- Check room to confirm the ceiling, floor, and walls in the room are finished and completed
- Select the wall and location in which the Bed will be placed
- Measure the length of the wall and height of ceiling to confirm the Bed will fit
- Locate any electrical outlets on the wall that may be covered up by the Bed
- Clear out any items in the room so you have a clear path to the wall and an open area to assemble the Bed
- If the flooring is hard, lay down some furniture blankets, sheets of cardboard, or other cushioning material to prevent parts from being scratched
- Locate the hardware box and open it. Organize the hardware bags numerically and alphabetically.
- Locate the mattress that will be used with this Bed; the mattress is required for proper adjustment of the Bed and completion of the assembly and should be no thicker than 11".

**TIP:** Your bed comes with a 4" tall by 1" deep baseboard cut out, if you would like the bed tight against the wall, and your existing baseboard exceeds these dimensions, you may want to remove the baseboard directly behind your bed to ensure a tight fit.

# Quick Start Guide



## TOOLS PROVIDED:

#1 Phillips Bit  
#2 Phillips Bit  
#3 Phillips Bit  
#2 Square Bit  
4mm Allen Wrench  
4mm Allen Bit  
Pozi Drive Bit  
T27 Torx Bit  
1/2" Wrench  
Ratcheting Screwdriver  
Mallet

### Optional:

Electric Power Drill  
Masking Tape  
Scissors

## HARDWARE LIST:

### Bolts:

H-068 Panel Bolts, 2"  
H-112 Flange Head Bolts, 5/16" x 2"  
H-162 Panel Bolts, 30mm  
H-235 Hex Head, 5/16" x 2-3/4"  
H-244 Button Head 1/4"-20 x 1/2"  
H-417 Cap Screw 5/16"-18 x 1"  
H-461 Panel Bolt, 3/4"  
H-738 Flange Bolts 5/16" x 1-1/2"

### Screws:

H-019 Machine Screws, 10-32 x 3/4"  
H-016 Sheet Rock Screw 2-1/2"  
H-065 Panel Screws, 50mm  
H-073 Euro Screws, 5/16"  
H-087 Pan Head Screws, 5/8"  
H-088 Machine Screws, 1/4"-20 x 1/2"  
H-107s Euro Screws, 13mm

H-115 Euro Screw, 18mm  
H-491 Machine Screw, 3/4"

### Nuts:

H-086 Flange Nuts, 5/16"  
H-767 Nylock Nuts, 5/6"

### Other:

H-003 Wood Dowels  
H-011 Minifix Pins  
H-062 Double-Ended Minifix Pin  
H-067 Washers, 3/4"OD x 5/16" ID  
H-073 Pozi Euro Screws, 14mm  
H-077 Wide Angle Brackets  
H-085 Mending Plates  
H-120 Roller Bearing  
H-231 Type 2 Fix Connector  
H-233 Door Bumper  
H-285 Pivot Bracket  
H-783 Mending Plate  
H-967 Screw Cover

# How It Works

**Sofa-WallBed** | **Assembly Manual**

## **HOW IT MOVES UP AND DOWN:**

The mechanisms that allow the Sofa-WallBed to move up and down are spring-loaded and located on the inside face of each Pier.

As the Sofa-WallBed is lowered down, gravity is naturally starting to pull it down. The springs “kick in” and provide enough resistance to avoid it from coming down too quickly.

## **TO LOWER THE SOFA-WALLBED:**

Handles are located on the outside of the Bed Cabinet (on the Bed Platform) to open and lower the Bed Platform.

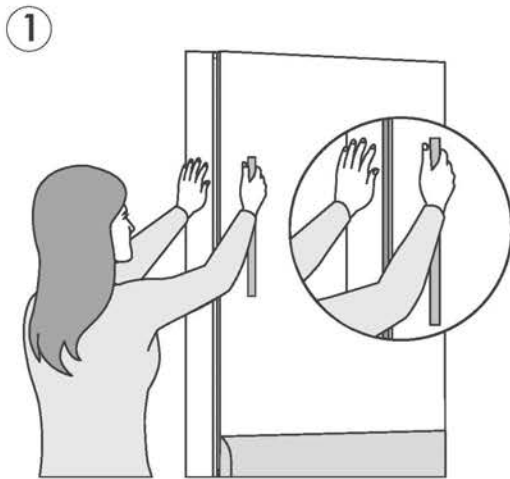
## **TO RAISE THE SOFA-WALLBED:**

At the corner of the Bed Platform, place hands underneath and lift. Start walking toward the Bed Cabinet to close. Once at half-way, grab a handle and guide the Bed Platform into the Bed Cabinet.

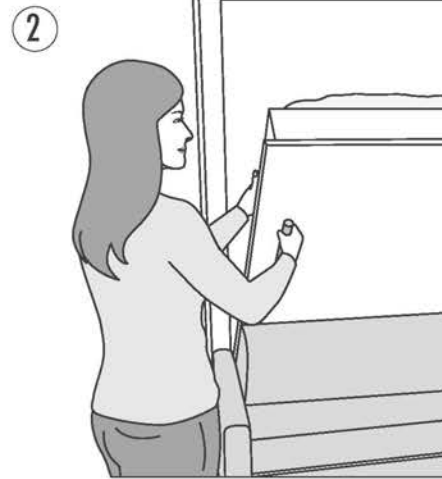


# Opening & Closing your InovaBed

## Open Bed



1 Place hands as shown; Reach to high point of the handle



2 Pull on handle and walk backward

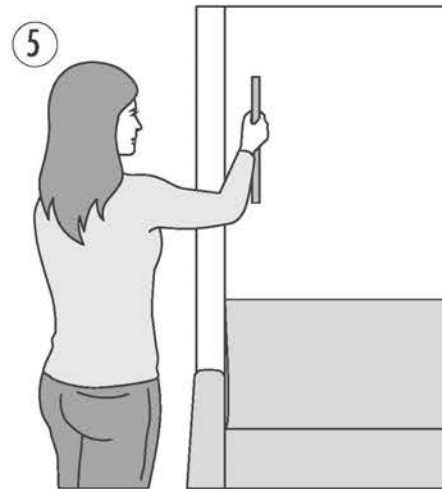


3 Guide bed down and release

## Close Bed



4 **Important!** Remove all pillows and make bed prior to closing.



5 From the side, lift corner of bed upward, grab handle, and walk toward cabinet



6 Guide bed into the cabinet and release

## HOW TO ADJUST TENSION:

### To adjust the tension of the Sofa-WallBed:

The factory has installed the proper number of springs based on our estimated weight of typical mattresses. Your mattress weight may vary from these estimates. With the springs provided, the Bed Platform should be very easy to raise and lower.

If it is too light, it will float up a little instead of staying down in the bed position. In this case you will need to remove one of the springs.

If it is too heavy, it will be too difficult to lift and you will need to add a spring.

## STEPS FOR ADJUSTMENT

1. To adjust the number of springs, you will need to temporarily “walk” the cabinet and sofa forward until it is around two feet from the wall. Do not move the unit by grabbing the sofa arms as it may damage it. Use the cabinet instead.
2. Remove the skirt, Seat Deck and Bed Platform (reverse steps 14-18).
3. **Watch the video linked to the QR code below.** The final arrangement of springs should be symmetrical above and below the center of the mechanism. For example, if you start with (8) springs, the center space will be empty. If you remove a spring, you should take it off the top, but you should also move the bottom spring to the center space. Ideally, the left and right spring mechanism should have the same number of springs.
4. Push the cabinet and sofa back in place against the wall and test the raising and lowering of the bed.

# Troubleshooting

**Sofa-WallBed | Assembly Manual**

# TROUBLESHOOTING

---

## HOW CAN I ACCESS BEHIND THE SOFA-WALLBED?

If you need to access to the area behind the Bed, you most likely do not have to remove it from the wall. The Headboard does release, allowing access behind the Bed.

## TO LOWER THE HEADBOARD:

Simply pull the upper lip of the Headboard away from the shelf. This will require a bit of force to do because of the button fix clips used to keep the Headboard in place.

## REMOVING BED FROM WALL:

With another person, "walk" each side of the Bed Cabinet away from wall.

**TIP:** You may want to place moving pads underneath the Bed Cabinet (with another person, tip the Bed Cabinet slightly to place pad).

## MY SOFA-WALLBED IS MAKING A CREAKING NOISE

If any of the hinges or other parts of the mechanism on Sofa-WallBed creak, spray them with a dry silicone-type lubricant, available at most hardware stores. Although this type of lubricant should not damage the wood panels, be careful not get any on the bed covers or mattress.

## I CAN'T RAISE OR LOWER THE BED PLATFORM

If there is any binding or difficulty raising or lowering the bed, it is possible that a foreign object has become lodged in the sofa mechanism. Remove the seat cushions, and look between the sofa arm and sofa seat for any obstructions. If there is no obvious culprit, call Inova customer service for assistance in troubleshooting the issue.

# TROUBLESHOOTING (CONT.)

---

## HOW DO I RETRIEVE SOMETHING THAT FELL UNDERNEATH THE SEAT DECK?:

It is possible to lift up the Seat Deck and get full access underneath, without removing the sofa Skirt. The process will be easier with two people but it can be done with one. First, remove the Seat Cushions from the Seat Deck. While tucking your hands between the Back Cushions and the back of the Seat Deck, carefully lift the Seat Deck rear. While lifting, be careful to tuck all portions of the Back Cushions behind the seat deck back. Once the seat deck is completely free, you'll have access underneath. In order to get the seat deck back underneath the Back Cushions, you'll need to carefully tuck all portions of the Back Cushions over the seat portions of the Back Cushions over the Seat Deck while your hands are over

the top of the seat deck back. Once the seat deck is underneath the Back Cushions, you'll need to reset the Rear Support mechanisms by cycling the Bed open and closed once.

## CARE & MAINTENANCE INFORMATION

Please refer to your Welcome Booklet for detailed information on Care & Maintenance.

## NEED TO DISASSEMBLE AND MOVE THE SOFA-WALLBED

Reverse assembly steps from manual

**TIP:** Bag and label hardware per Step. This will be very helpful when reassembling the Sofa-WallBed.

## I HAVE A BROKEN PART THAT NEEDS TO BE REPLACED

Please take photos of the broken part and the bed overall. Then, email the photos to [help@inovabed.com](mailto:help@inovabed.com) or text them to 518-595-4779 along with your name, order number, and best contact number.

# Sofa-WallBed: Hardware Overview

The illustrations drawn are general representations of your products hardware.



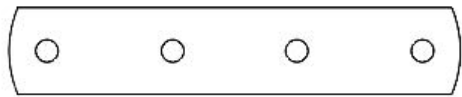
H-068



H-162



H-087



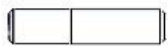
H-085



H-062



H-065



H-003



H-011



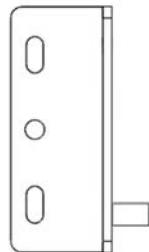
H-231a



H-231b



H-115



H-285a



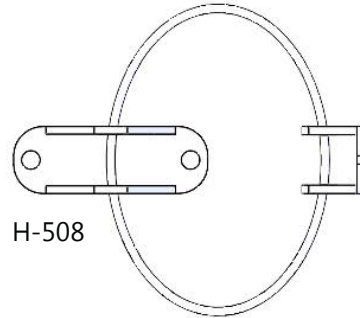
H-285b



H-285c



H-016



H-508



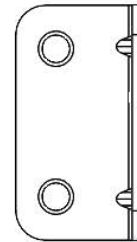
H-417



H-073



H-244



H-077



H-019



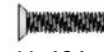
H-107



H-738



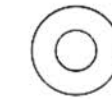
H-086



H-491



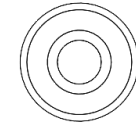
H-493



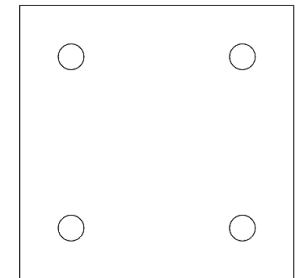
H-067



H-235



H-120



H-783



H-233



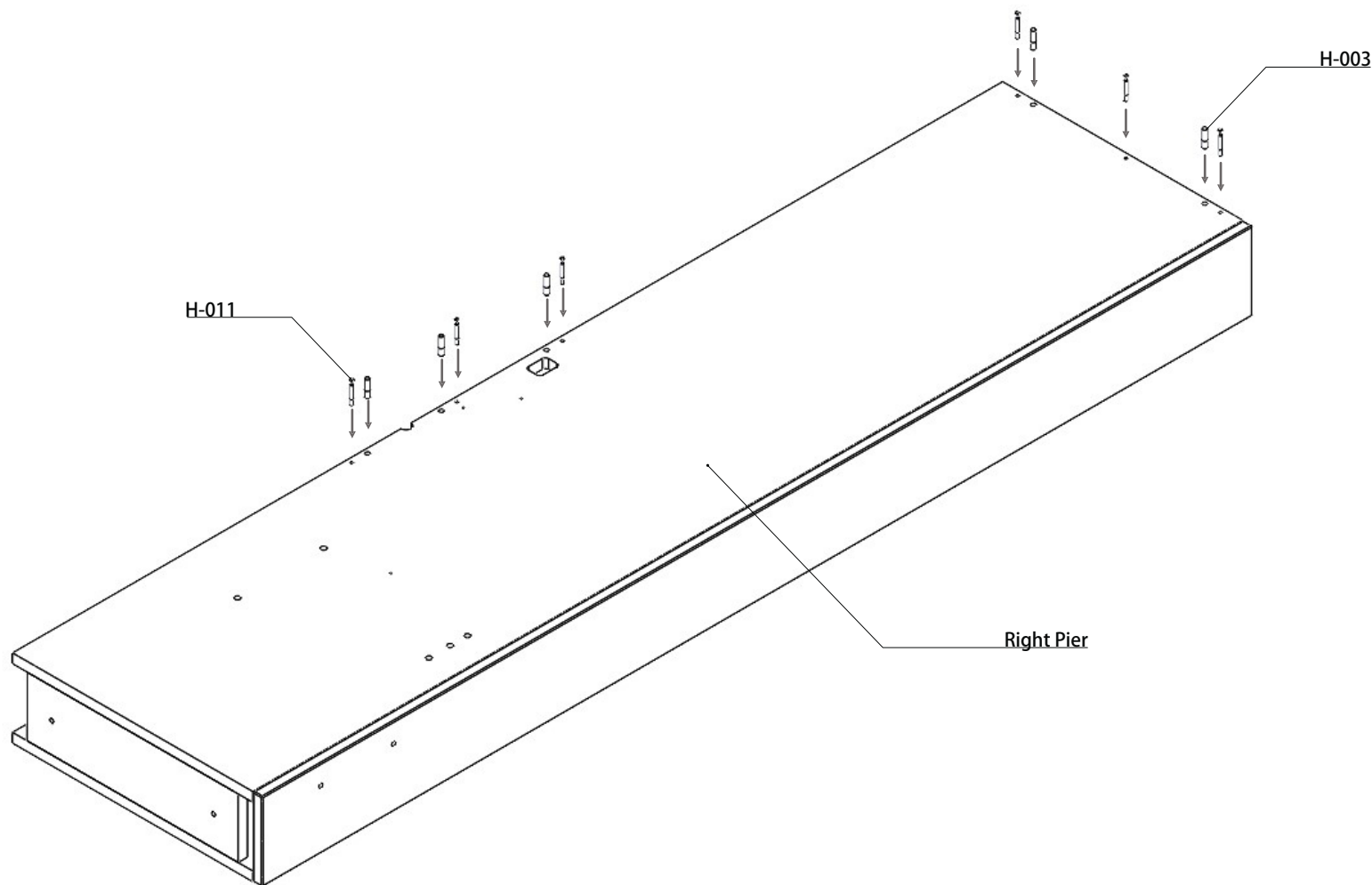
H-932



## Step 1: Prepare the Right Pier

The illustrations drawn are general representations of your product's parts and hardware.

- Lay the Right Pier on the floor as shown (padding or carpet is suggested to be underneath the pier to avoid scratching).
- Screw the H-011 minifix pins into the small holes using the H-333 square tip driver.
- Tap the H-003 wood dowels into the larger holes using a mallet.





## Step 2: Prepare the Cabinet Back and Cabinet Top

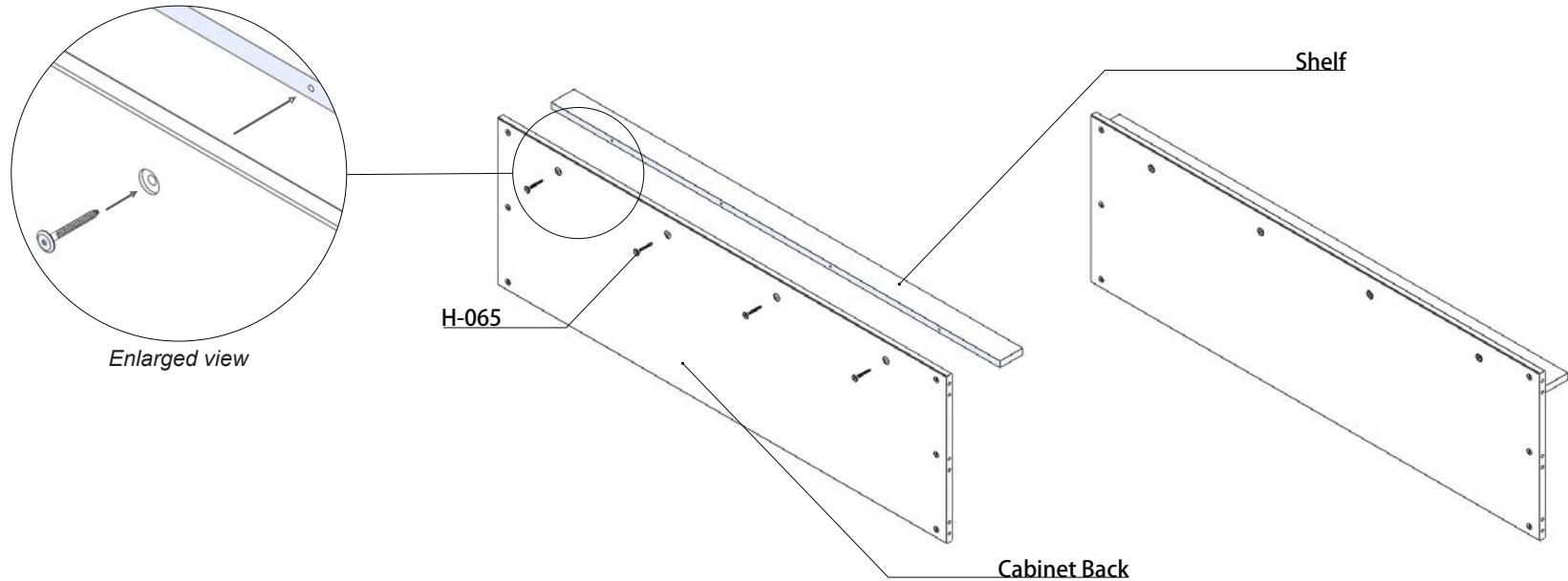
The illustrations drawn are general representations of your product's parts and hardware.

**IMPORTANT: If you purchased the electrical kit option, set the shelf that was packaged without the dimmer switch and outlet aside, and reference the addendum instructions that come with the additionally packaged shelf with the dimmer switch and power hub pre-installed.**

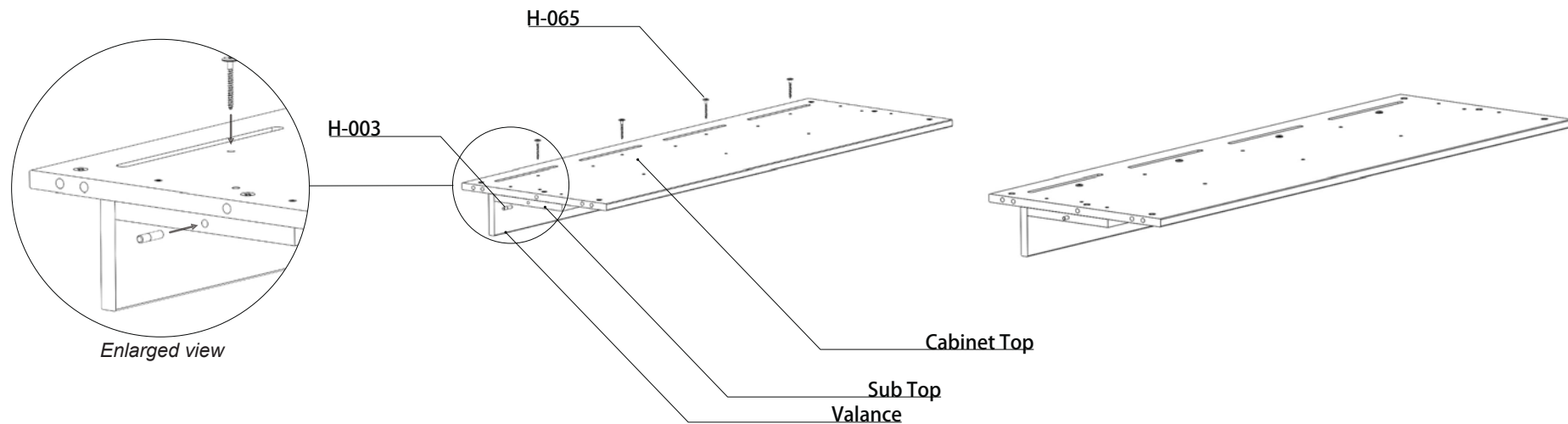
A. Attach the Shelf to the Cabinet Back using the provided H-065 panel screws and 4mm hex driver.

B. Attach the Valance to the Cab Top/Sub Top assembly using the provided H-065 panel screws and insert the H-003 dowels into both ends of the sub top.

A.



B.



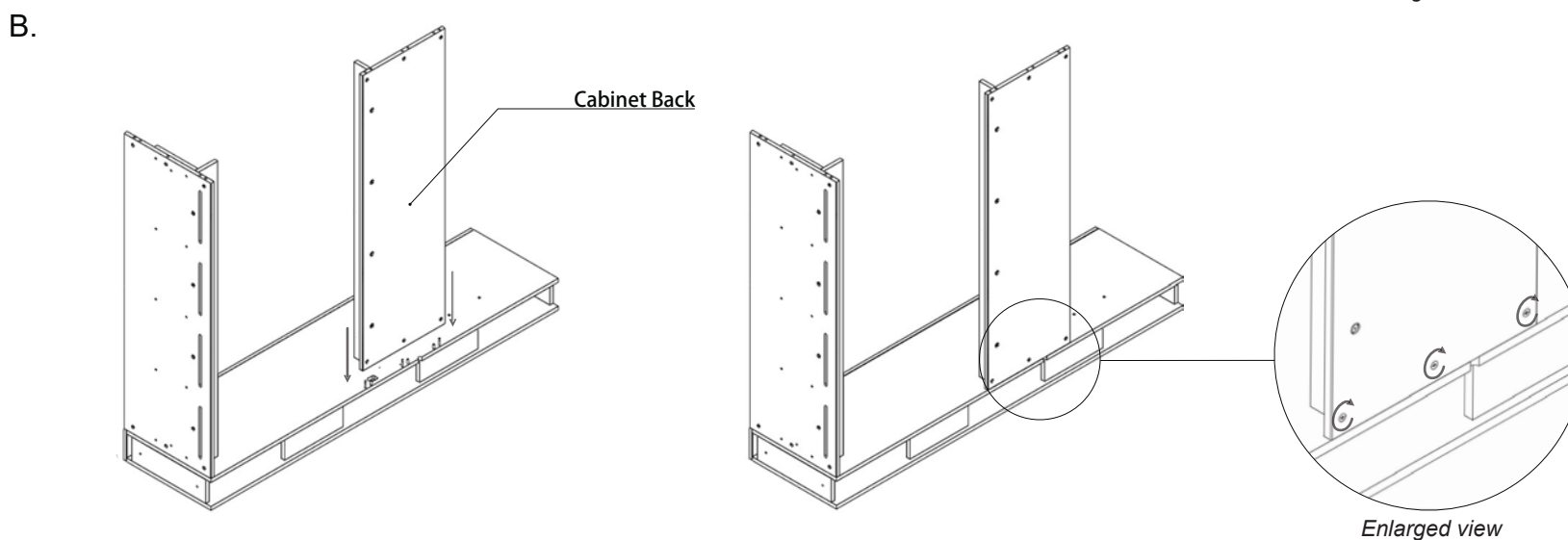
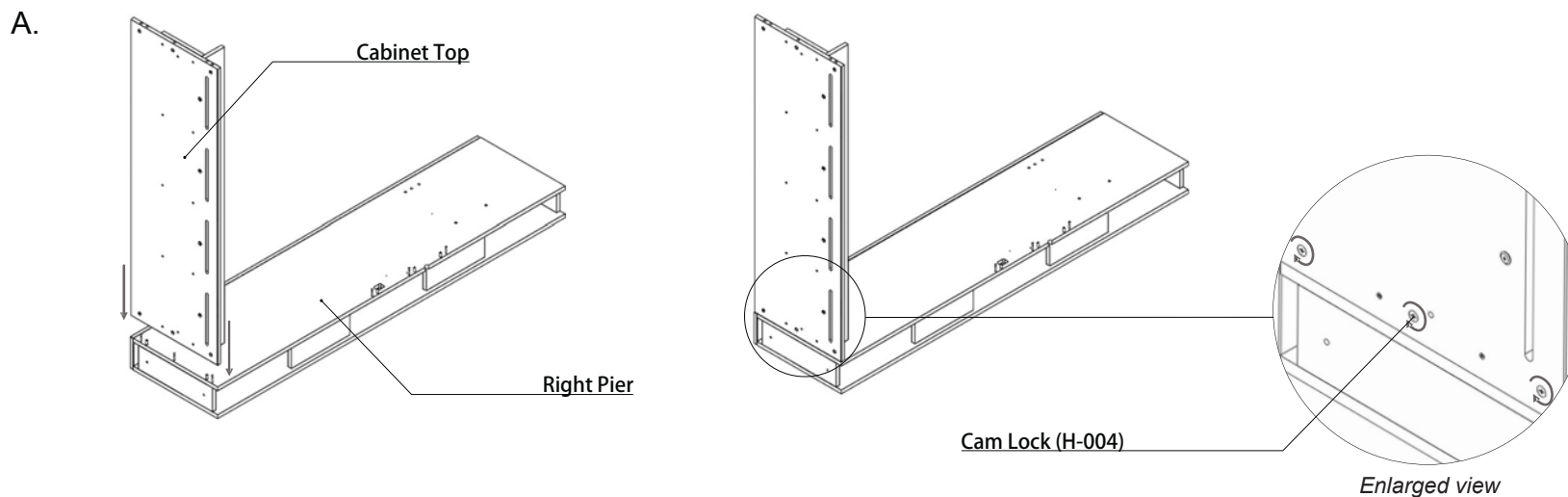




## Step 3: Cabinet Back and Cabinet Top to Right Pier

The illustrations drawn are general representations of your product's parts and hardware.

- Lay the Right Pier on its side if it is not already (padding or carpet is suggested to be underneath the pier to avoid scratching).
- Align the Cabinet Top with the hardware fastened to top edge of the Right Pier as shown, then tighten the cam locks (H-004) with the #3 phillips tip provided (clockwise rotation).
- Align the Cabinet Back to the hardware fastened to the back of the Right Pier in the same manor as the Cabinet Top, then tighten the cams locks (H-004).

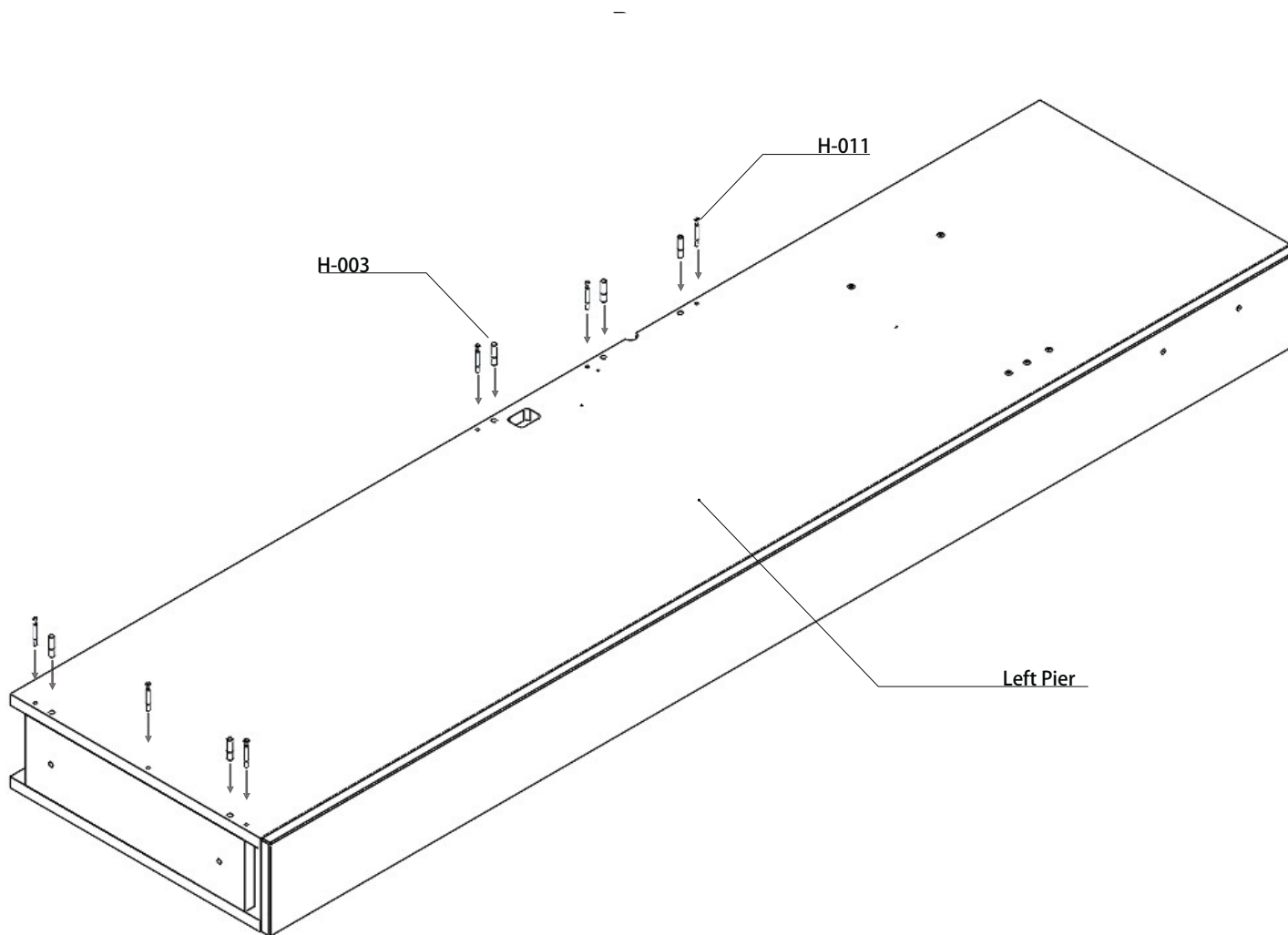




## Step 4: Prepare The Left Pier

The illustrations drawn are general representations of your product's parts and hardware.

- A. Lay the Left Pier on the floor as shown (padding or carpet is suggested to be underneath the pier to avoid scratching).
- B. Screw the H-011 Minifix Pins into the small holes using the H-333 square tip driver.
- C. Tap the H-003 Wood Dowels into the larger holes using a Mallet.

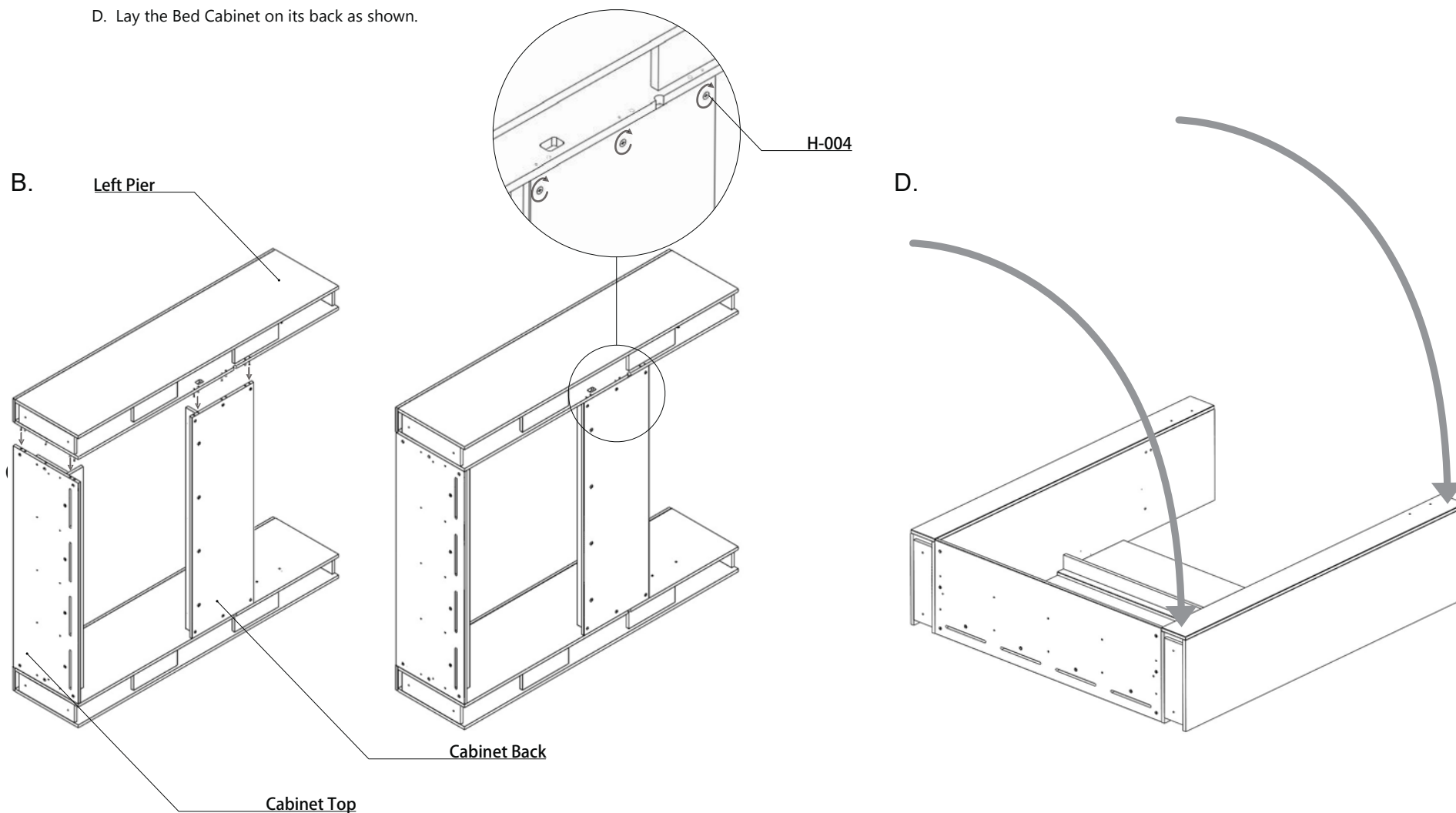




## Step 5: Assemble The Bed Cabinet TWO PERSON LIFT!

The illustrations drawn are general representations of your product's parts and hardware.

- A. **No hardware is needed for this step.** With another person, lift and flip the Left Pier with one person at the top end and the other at the bottom end. ( the hardware previously installed is facing toward the floor now ).
- B. Gently lower the Left Pier onto the Cabinet Top and Cabinet Back assuring that the hardware on the left Pier aligns with the corresponding holes as shown below.
- C. With one person still supporting the bottom end of the Left Pier, the other can now tighten the cams locks (H-004) on the Cabinet Top and Cabinet back.
- D. Lay the Bed Cabinet on its back as shown.



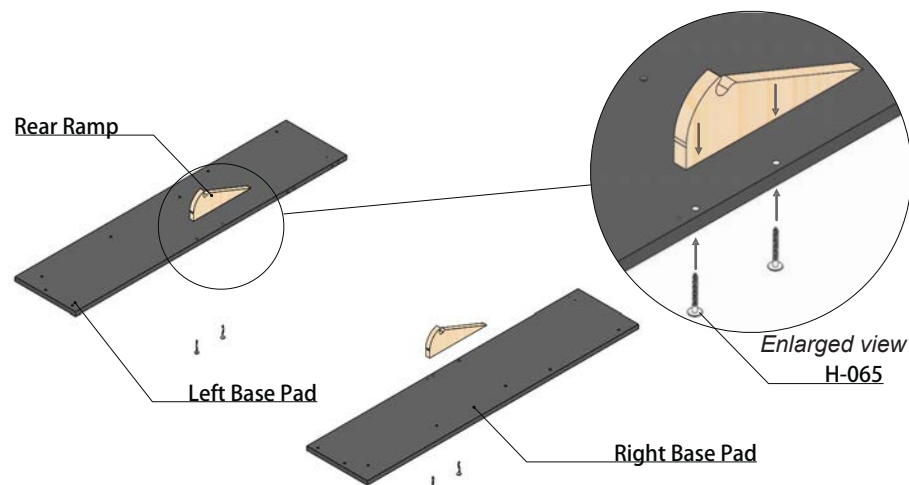


## Step 6: Assemble The Base Plate

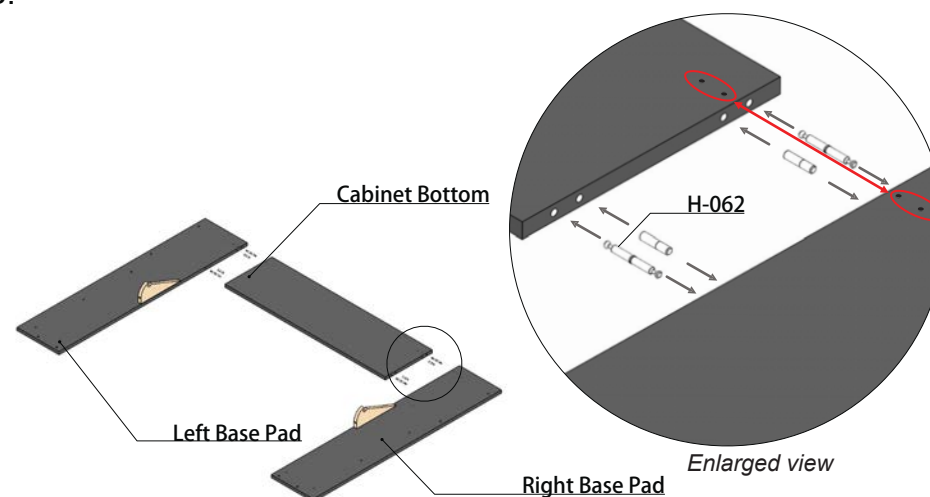
The illustrations drawn are general representations of your product's parts and hardware.

- Attach the Rear Ramps to the Left and Right Base Pads using the H-065 panel screws provided. ( Important: MUST be fully tightened so that the Rear Ramps butt up to the Base Pads).
- Arrange the Base Plate Assembly parts as shown, then insert the H-003 Dowels and H-062 double end pins into their corresponding holes and tighten the H-004 cam locks. Make sure the holes circled in red below line up.
- To ensure the Base Pads are secured to the Cabinet Bottom, install both the H-085 mending plates as shown using the H-087 screws provided.
- Attach the spreader as shown using the H-162 panel bolts provided. Make sure the black edge on the spreader is facing toward the front.

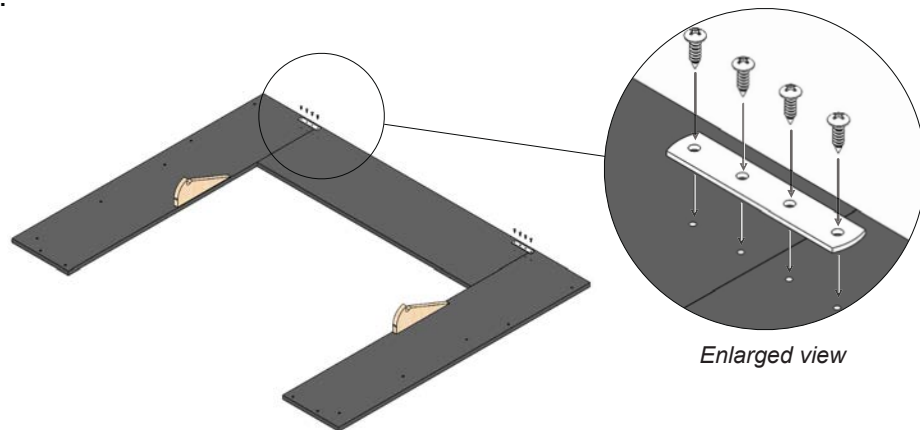
A.



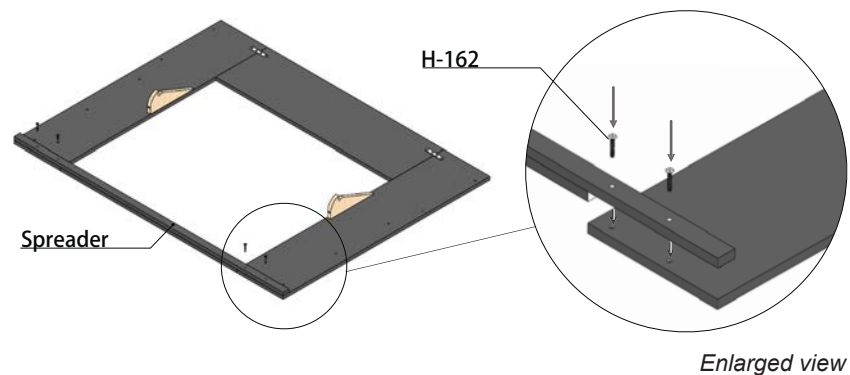
B.



C.



D.





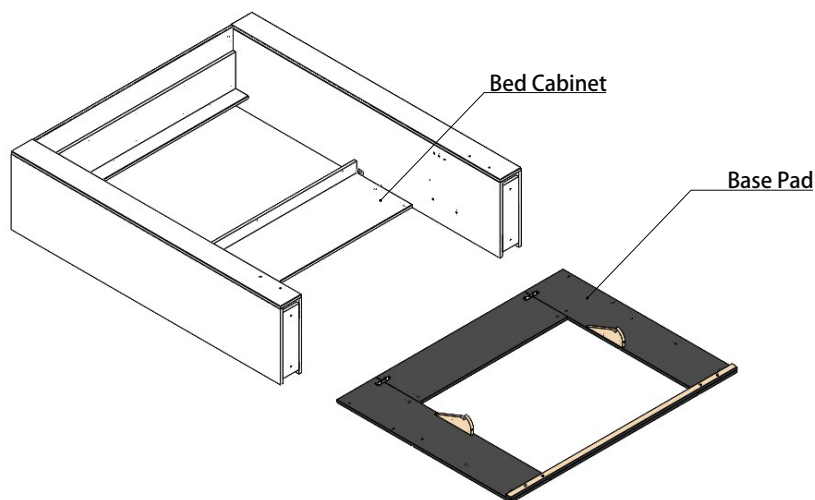
## Step 7: Attach the Base Pad to the Bed Cabinet TWO PERSON LIFT!

The illustrations drawn are general representations of your product's parts and hardware.

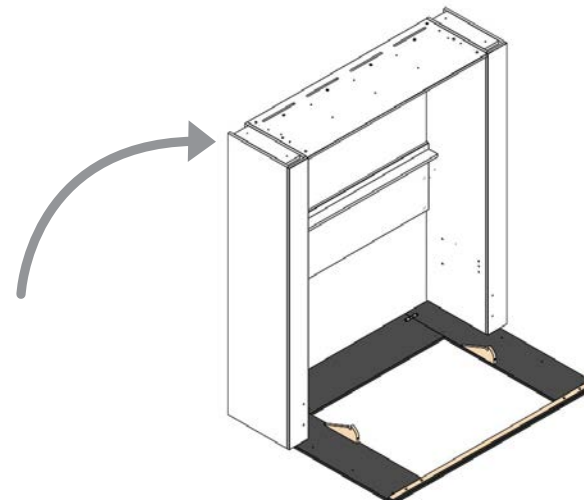
**IMPORTANT:** If you purchased the electrical kit option, reference the addendum instructions that come with the additionally packaged shelf with dimmer switch and power hub pre-installed for additional instructions.

- Place the assembled Base Pad on the ground (close to the area where you want the bed to be once completed but away from the wall).
- Lift the Bed Cabinet upright by the spacers at the top and back of the Piers (DO NOT lift by the Cabinet Top or Cabinet Back)
- Place the Bed Cabinet on the Base Pad. With one person holding the Bed Cabinet up, the other can **HAND TIGHTEN** the H-162 panel bolt provided as shown. Once all the bolts are threaded then the bolts may be tightened with a drill or screwdriver.

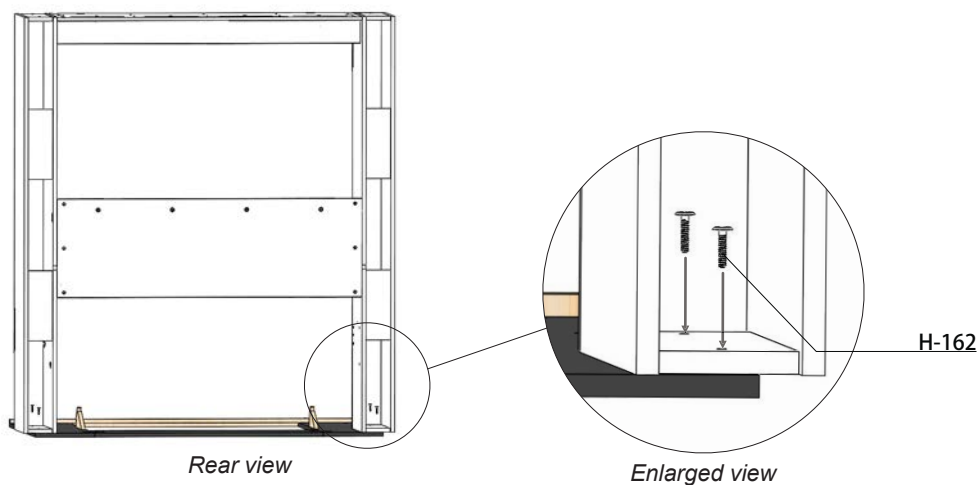
A.



B.



C.



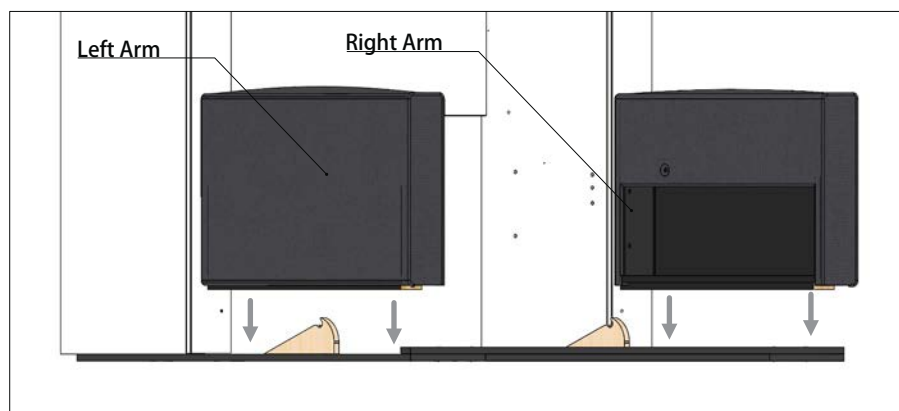


## Step 8: Attach the Arms

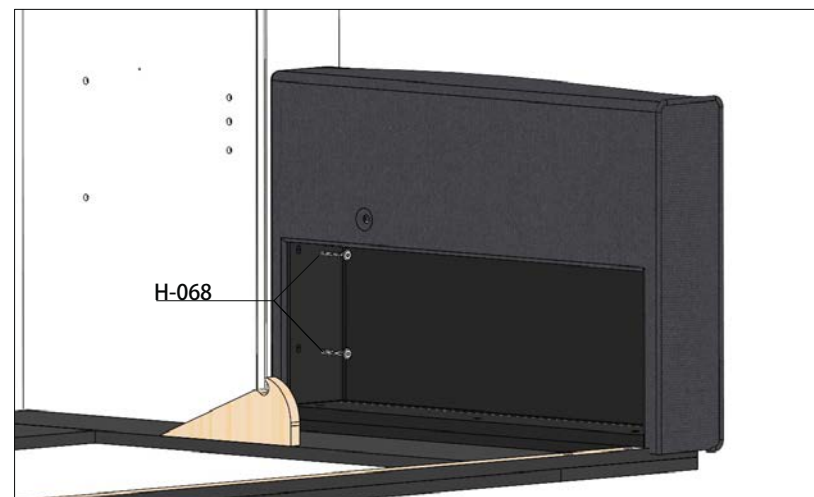
The illustrations drawn are general representations of your product's parts and hardware.

- Place the Left and Right Arms as shown on the Base Pad
- Align the holes in the back of the Arm and the front of the Pier then bolt them together using the H-068 panel bolts. Complete this step on both Arms.
- Now you will be able to bolt the lower part of the arm to the Base Pad with the remaining H-068 panel bolts. **Tip: the bottom of the arm base should be flush with the outside of the base pad assembly. Complete this step on both Arms.**
- Move the Bed Cabinet against the wall into its final position in the room.

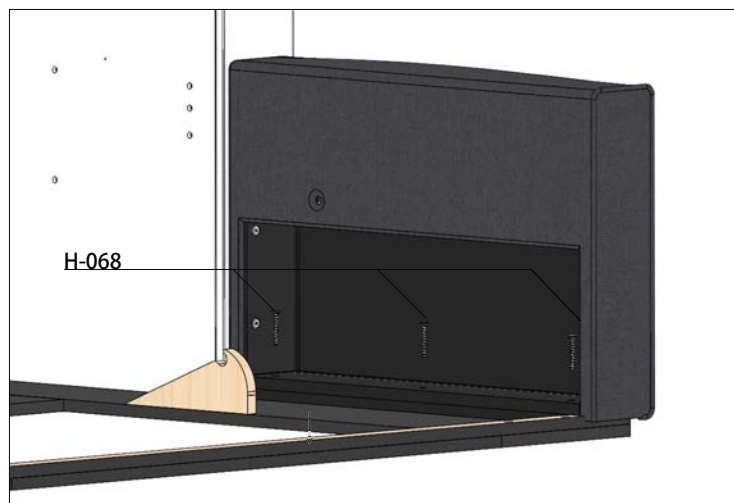
A.



B.



C.



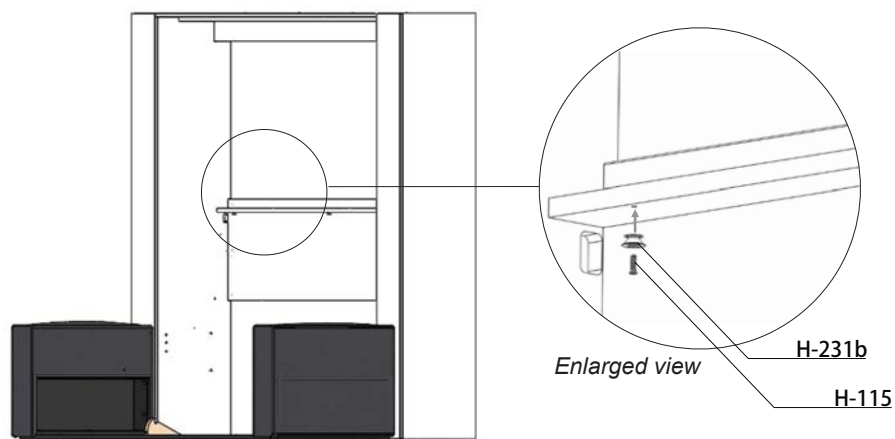


## Step 9: Install the Headboard

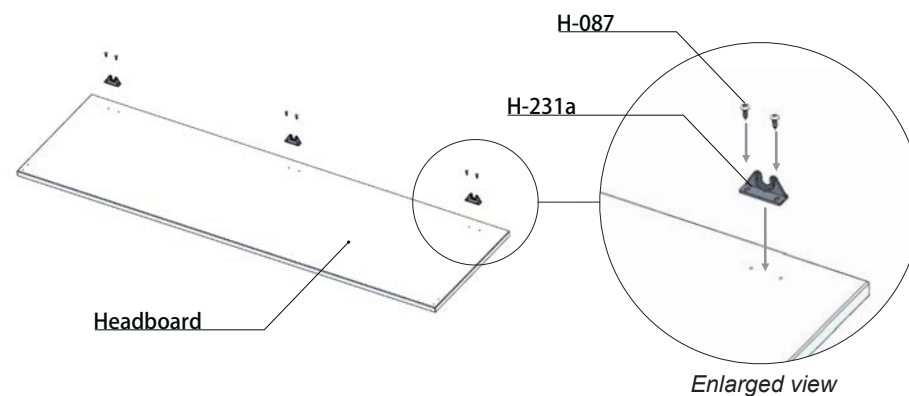
The illustrations drawn are general representations of your product's parts and hardware.

- Screw the H-231b button fix connectors to the Shelf as shown using the H-115 euro screws provided.
- Attach the H-231a 90 degree snap connectors to the Headboard as shown using H-087 screws.
- Tap the H-285b bearings into the large holes on the inner sides of both Piers followed by the H-285a pivot brackets as shown (Note; there is a left and right bracket).
- Hold the Headboard in place to secure the H-285a pivot brackets to the Headboard using the H-285c black screws as shown.

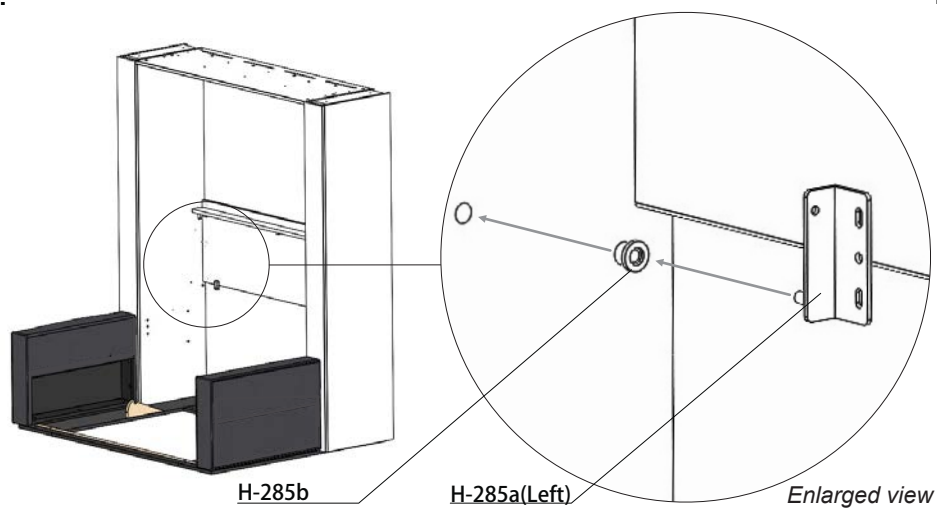
A.



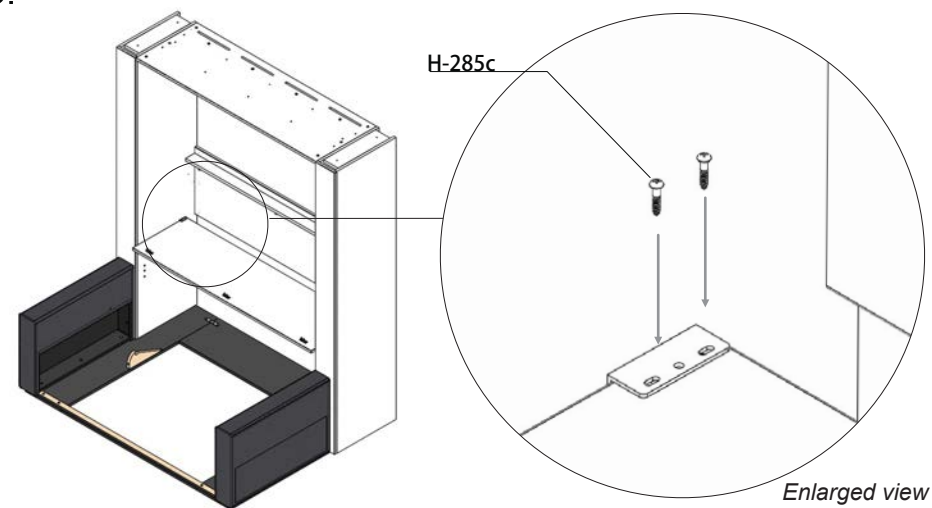
B.



C.



D.



H-285b



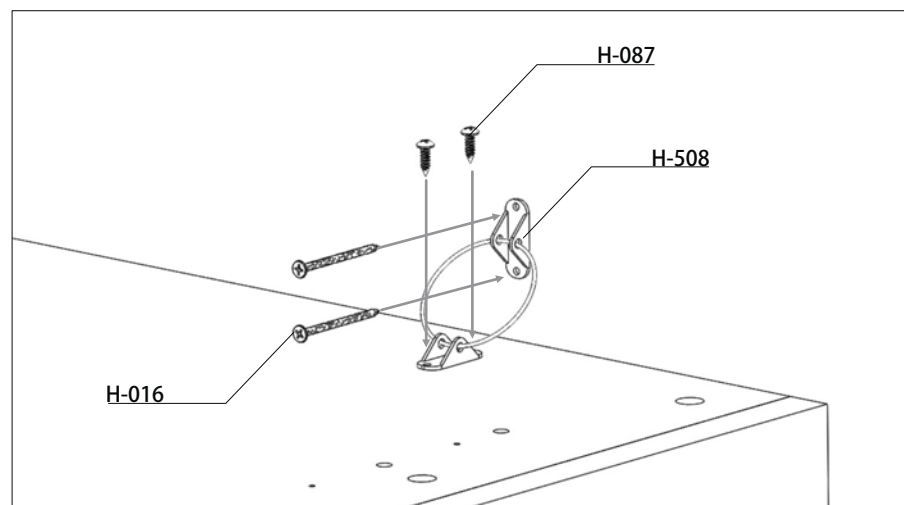
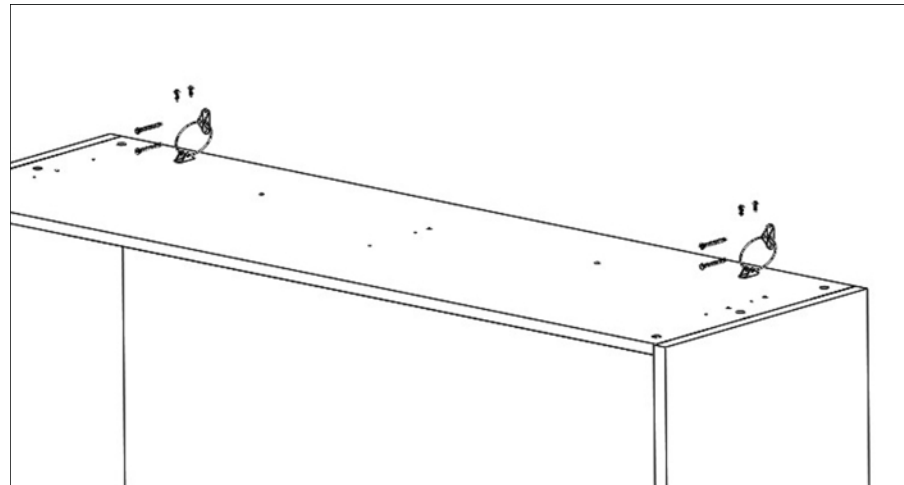


# Anti-Tip Strap Attachment

The illustrations drawn are general representations of your product's parts and hardware.

---

- A. Move the Bed Cabinet against the wall into its final position in the room if not already done so.
- B. Locate the Studs in the wall. Attach the H-508 cable and bracket assembly to the studs, just above the Bed Cabinet top using H-016 drywall screws.
- C. Attach the other bracket to the Bed Cabinet Top using H-087 screws.





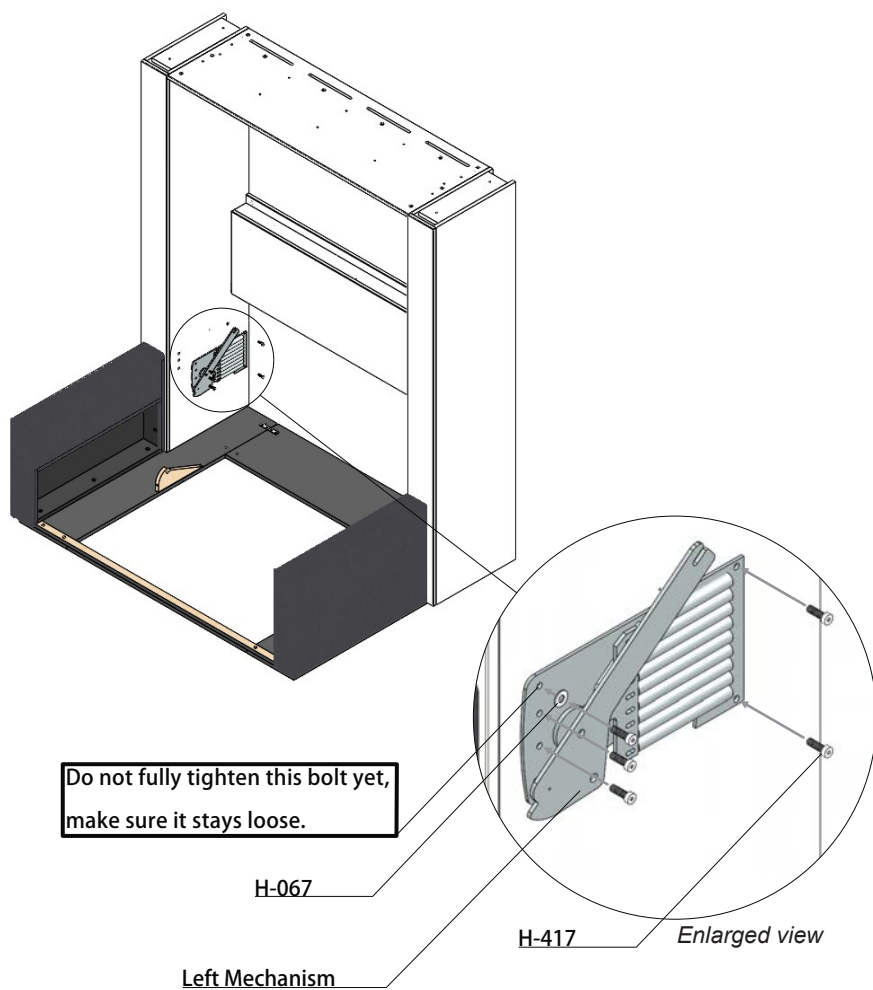


## Step 10: Install the Mechanisms

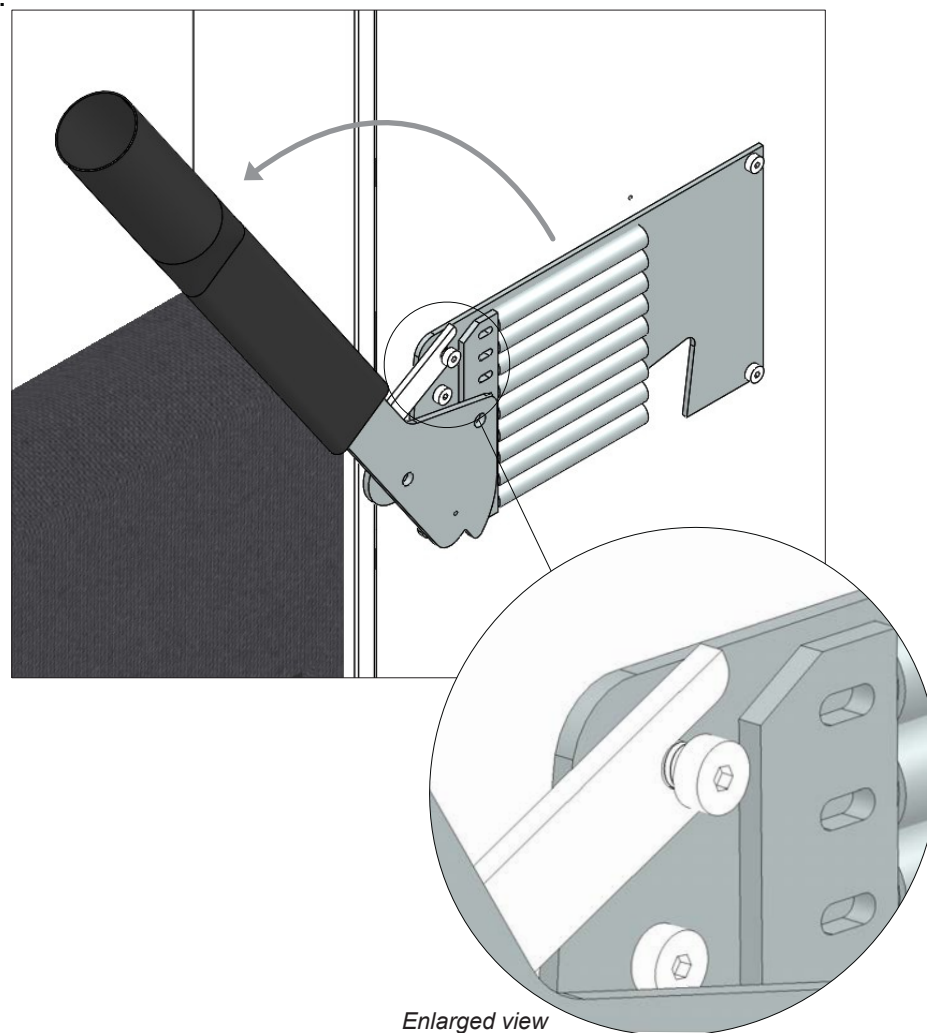
The illustrations drawn are general representations of your product's parts and hardware.

- A. Attach the Left Mechanism to the Left Pier as shown using the H-417 low head cap screws provided **HAND TIGHTEN** to start all low head cap screws. **DO NOT** fully tighten the screw at the top/front corner of the mechanism and use the H-067 washer with this bolt. Repeat for right.
- B. Engage the H-001 Spring Mechanisms using the mechanism tool provided. Flip the silver hook on the mechanism up and carefully set it behind the head of the bolt as shown. Repeat for right.

A.



B.



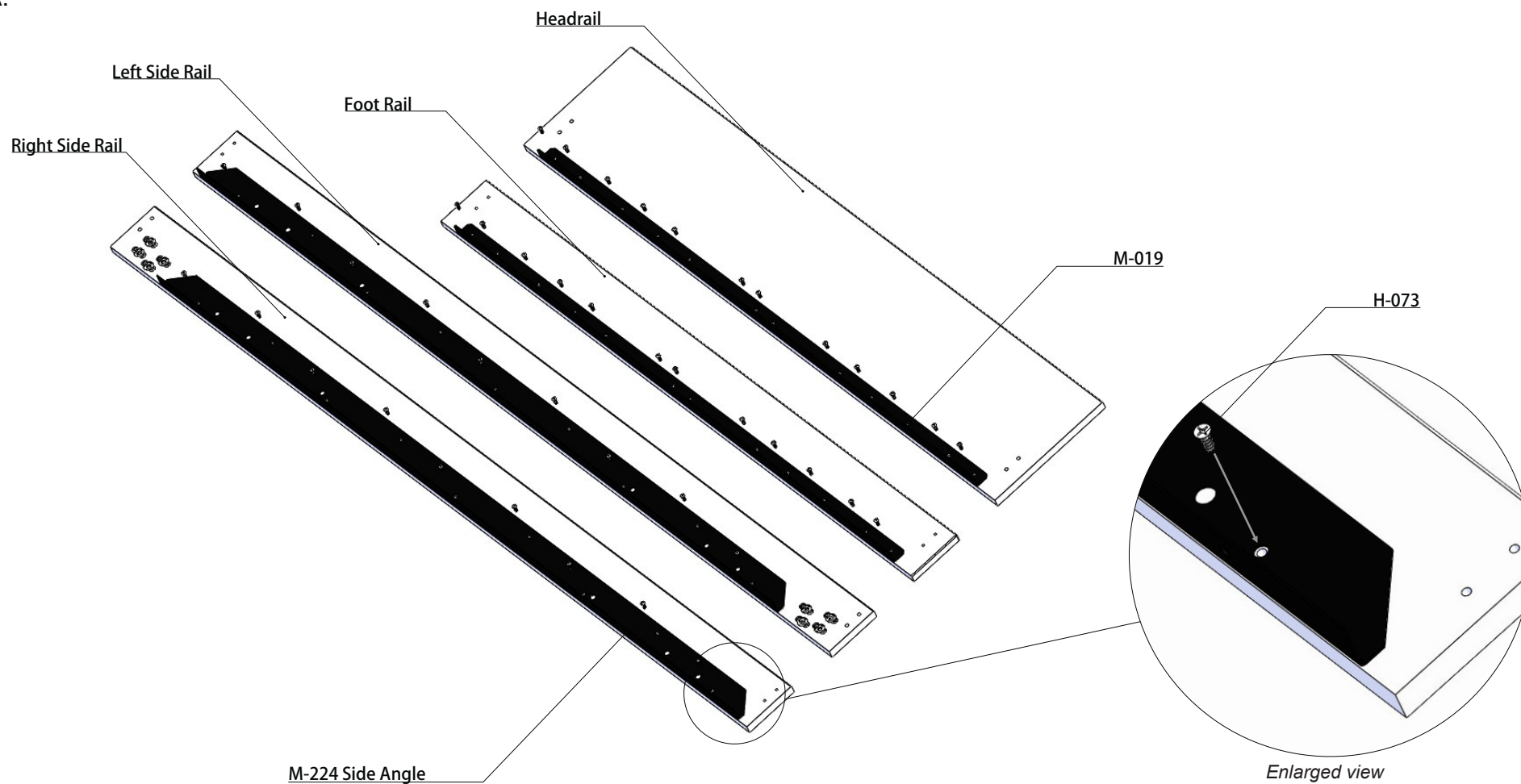


# Step 11: Head Rail, Foot Rail and Side Rails

The illustrations drawn are general representations of your product's parts and hardware.

A. Attach the M-19 head/foot angle brackets to the Head Rail and Foot Rail using the H-073 euro screws provided and the H-933 pozi drive bit. Then, attach the M-224 side angles to the Left and Right Side Rails using the remaining H-073 euro screws.

A.



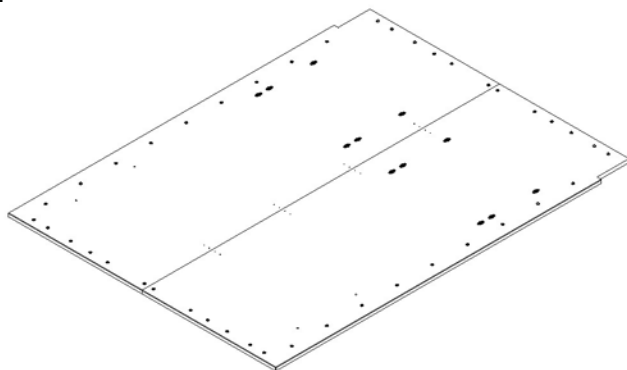


## Step 12: Assemble Bed Platform

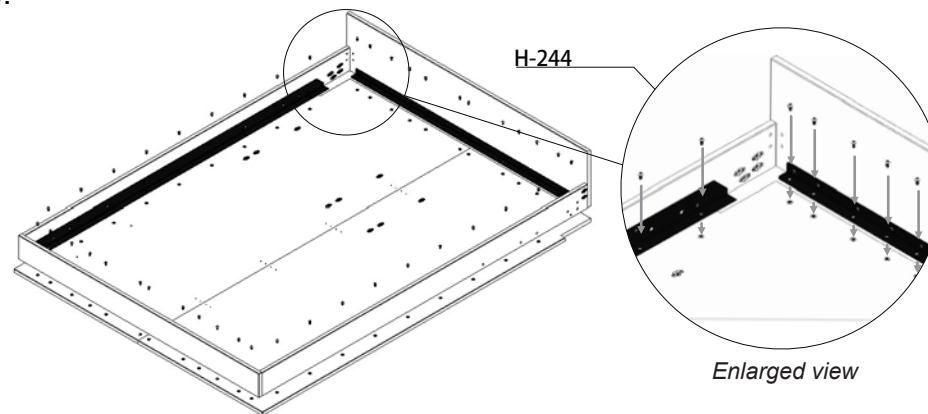
The illustrations drawn are general representations of your product's parts and hardware.

- A. Place the Left and Right Bed Panels on the ground with the hardware facing up (padding or carpet is suggested to be underneath the Bed Panels to avoid scratching).
- B. Attach the Head/ Foot Rails and the Side Rails as shown using the H-244 button head bolts and the H-245 torx bit provided. At this step **DO NOT fully tighten** the H-244 bolts.
- C. Attach the H-085 mending plates to the Right and Left Bed Panels using the H-087 screws as shown.
- D1. Attach the H-077 angle brackets to the Head Rail and Side Rails using the H-019 machine screws provided.
- D2. Attach the remaining H-077 angle brackets to the Foot Rail and Side Rails using the H-107 euro screws provided.
- E. You may now **Fully Tighten** the H-244 button head bolts **BY HAND** as to not damage the inserts.

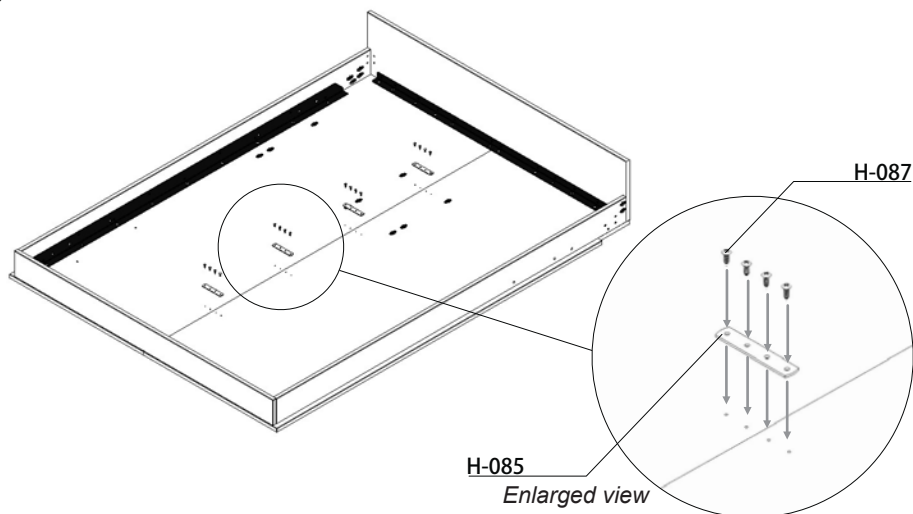
A.



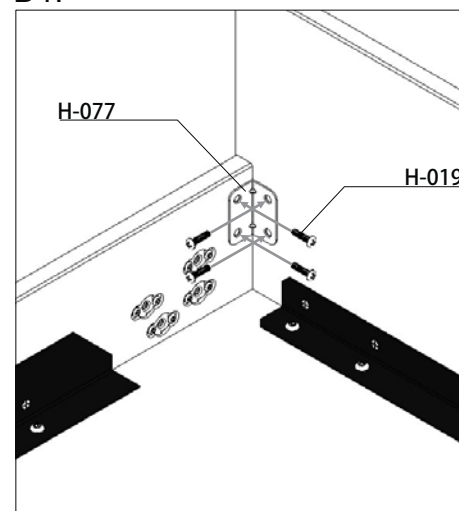
B.



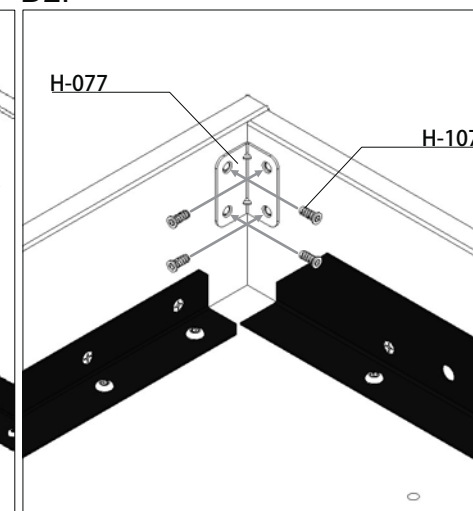
C.



D1.



D2.





## Step 13: Mechanize The Bed Platform **TWO PERSON LIFT!**

The illustrations drawn are general representations of your product's parts and hardware.

A. Insert the H-738 bolts into hole #1 on the Left and Right Side Rails. Then attach the H-086 nuts to the ends of bolts, but DO NOT fully tighten.

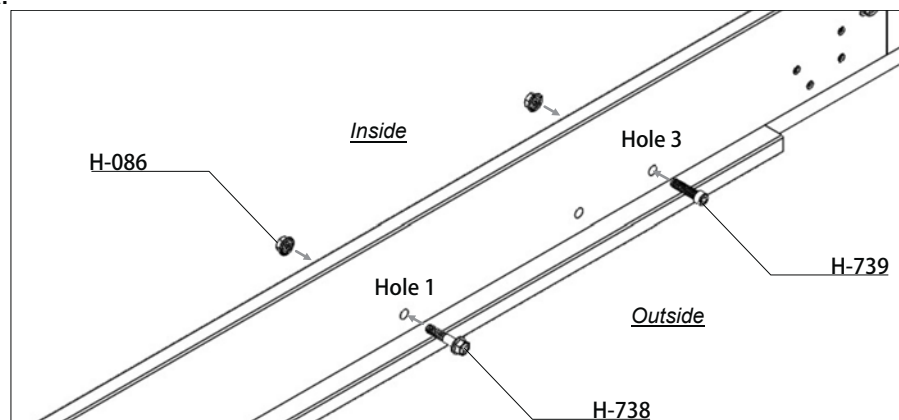
Insert the H-739 low head cap screw into hole #3 on the Left and Right Side Rails. Then attach the H-086 nuts as shown and fully tighten.

B. Stand the Bed Platform up, resting the Headrail on the floor. With one person holding the Bed Platform in place, attach the M-50a cheek plates to the Side Rails with H-924 machine screws as show.

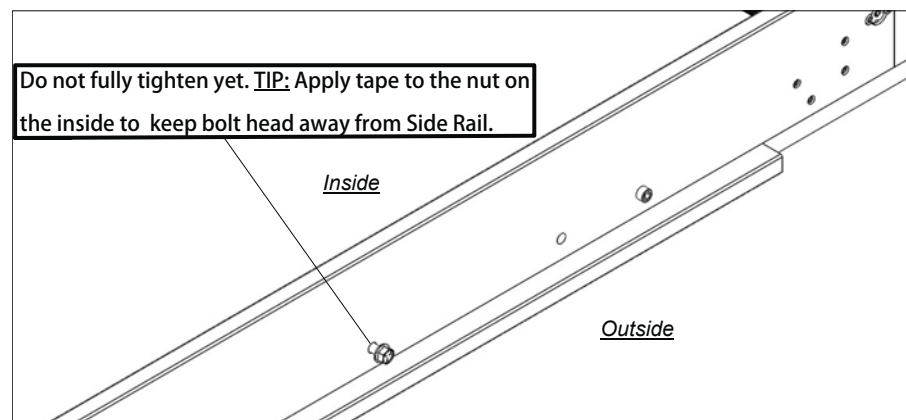
( Left Cheek Plate to Left Side Rail, Right Cheek Plate to Right Side Rail)

C. Install the Pull Handles as shown.

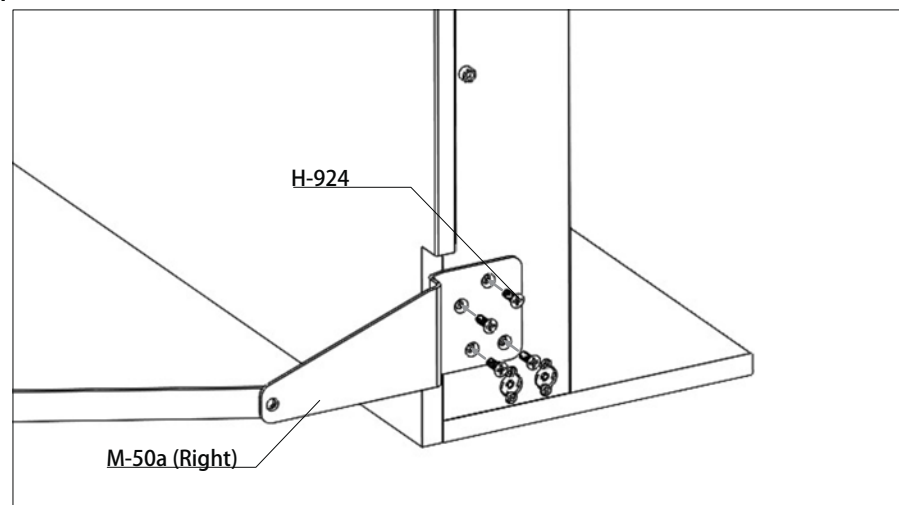
A.



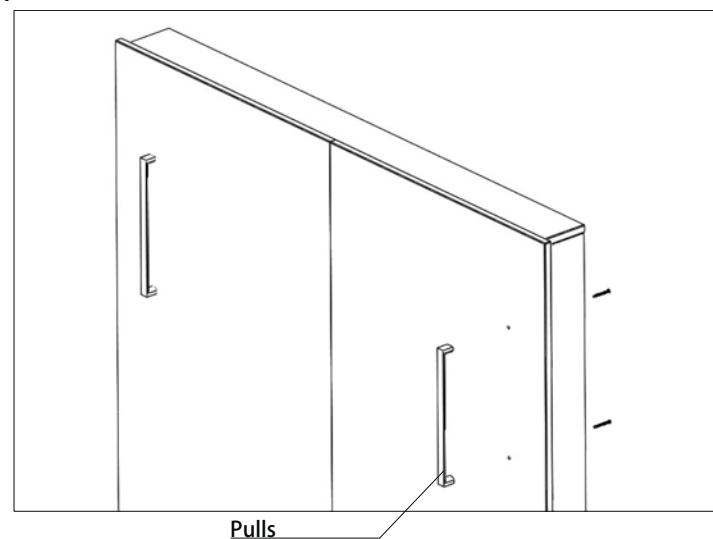
Right Side Rail shown.



B.



C.





## Step 14: Install the Bed Platform **TWO PERSON LIFT!**

The illustrations drawn are general representations of your product's parts and hardware.

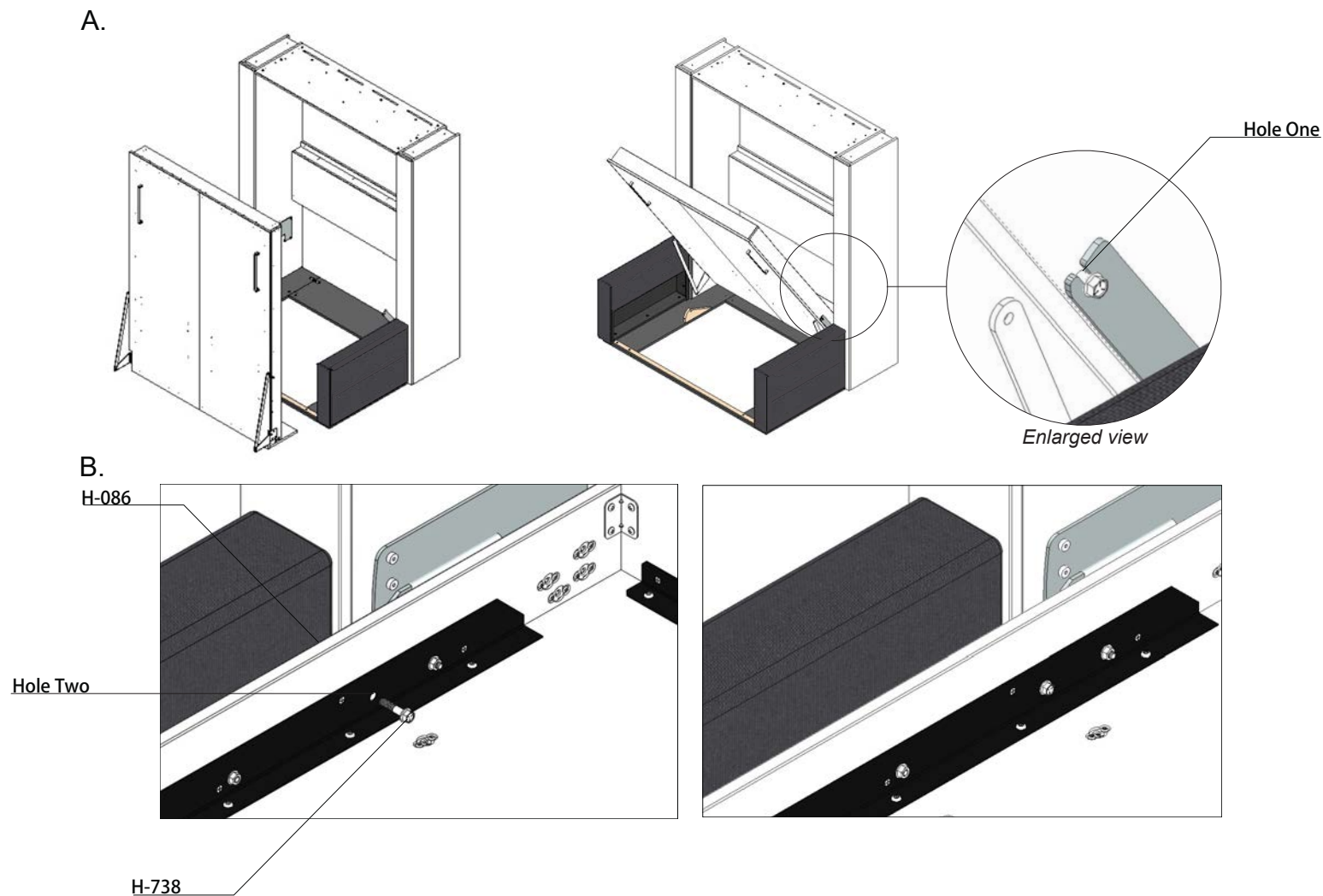
A. Lift the Bed Platform assembly as shown, then align the bolts in hole one on both Side Rails with the slot on both Spring Mechanisms as shown.

**TIP: For the easiest installation, walk the Bed Platform into the Bed Cabinet slowly keeping the sides of the Bed Platform parallel to the Sofa Arms.**

B. Insert the H-738 bolts into hole 2 through the Side Rails as well as the Spring Mechanism arms, then tighten with the H-086 nuts provided.

C. Tighten the bolt that was previously loose on the top front mounting hole of the Spring Mechanism.

D. Inside the Bed Platform there are now exposed bolt ends which may need to be covered. By-eye, measure and cut the bolt caps provided and press them onto the exposed bolt threads.





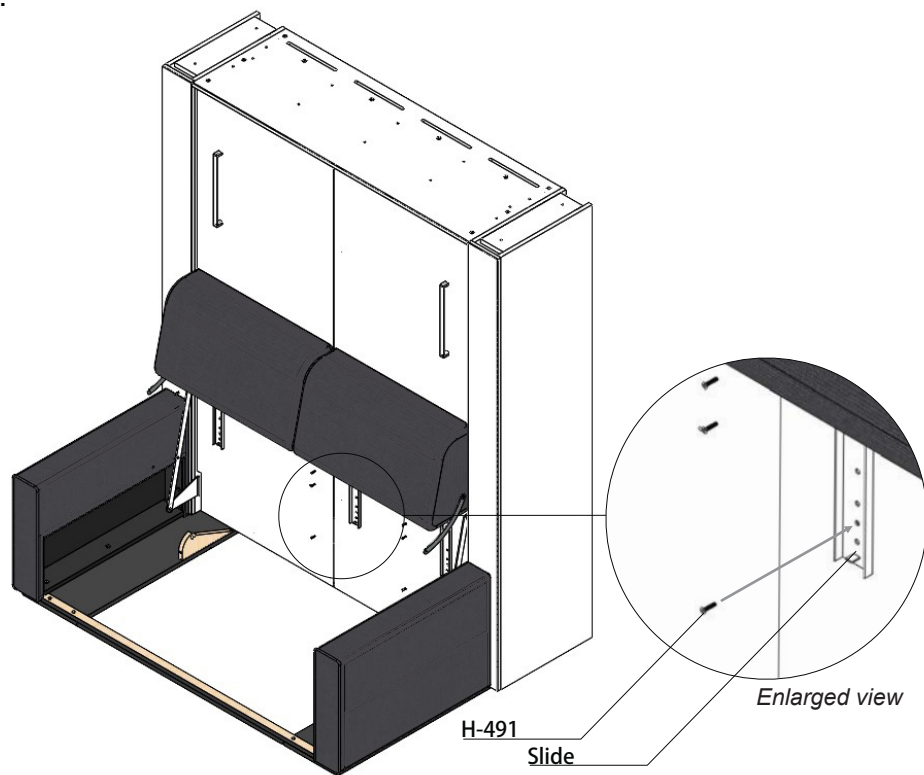
## Step 15: Attach the Back Cushions

The illustrations drawn are general representations of your product's parts and hardware.

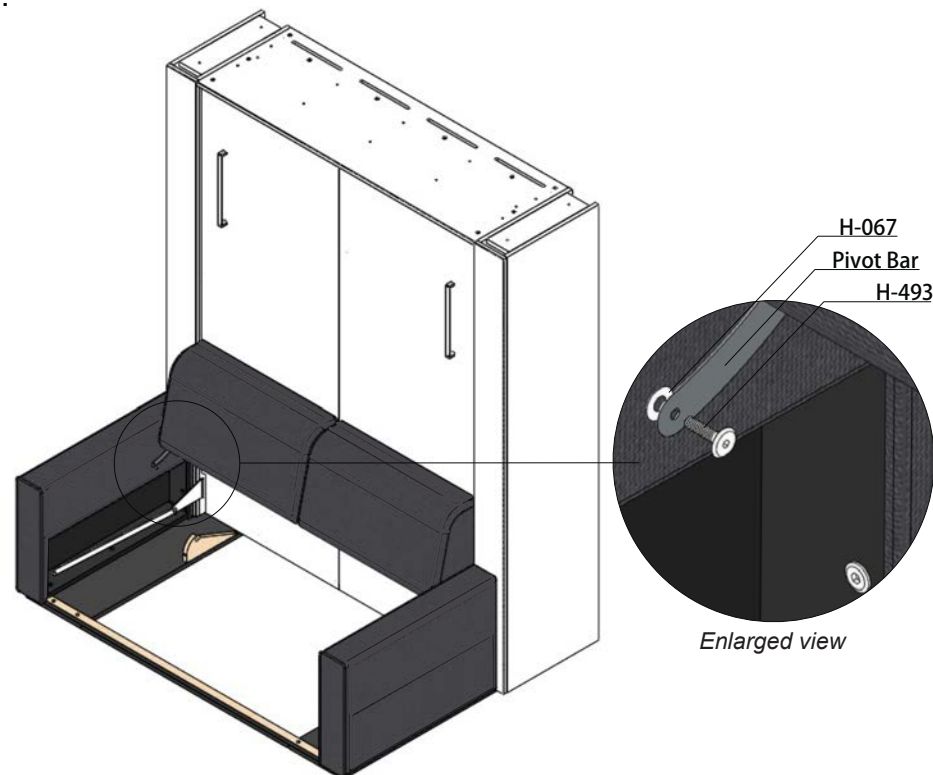
A. Attach the Back Cushion to the Bed Platform using H-491 machine screws, starting with the **second hole from the bottom of the slide aligning with the bottom hole on the Bed Panel**. Ensure 3 machine screws per slide are utilized.

B. Secure the Back Cushion Pivot Bars to the Arms (holes in arms with threaded stud) using the H-493 bolts and H-067 washer. The Washer should go between the Pivot Bar and the Arm.

A.



B.







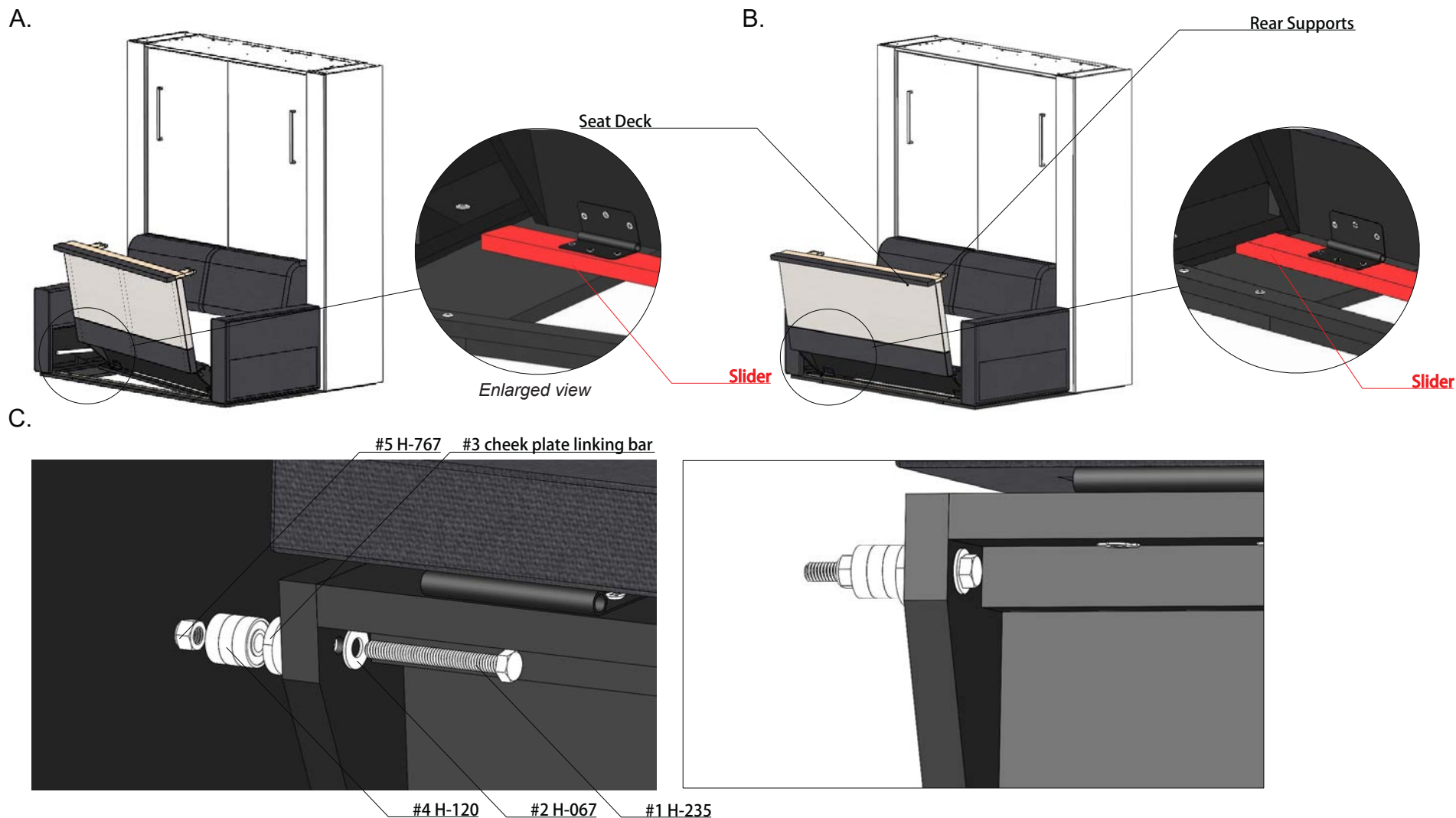
## Step 16: Install the Seat Deck

The illustrations drawn are general representations of your product's parts and hardware.

- Remove the seat cushions from the Seat Deck, then angle the Seat Deck Front Slider and slide the right and left edges under the bottom ledge of both arms as shown.
- Then move the Slider toward the front, making the seat parallel with the front spreader (note: if the slider does not easily move underneath the arms, loosen the arm bolts slightly)
- Attach the cheek plate linking bar to the front support using the hardware provided. Install the hardware in the exact order as depicted below

1) H-235 bolt 2).H-067 washer 3) cheek plate linking bar 4) H-120 roller bearings 5) H-767 nylock nut

**Do Not over tighten the Nylock nut, make sure the bearings can still roll. Tip: it is easier to attach hardware if someone lowers the Bed slightly after the bolt is through the Linking Bar.**



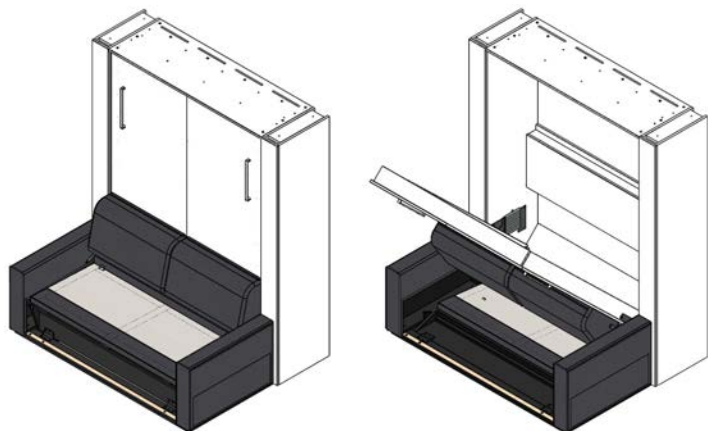


## Step 17: Attach the Skirt

The illustrations drawn are general representations of your product's parts and hardware.

- Engage the rear supports and prepare to attach the Skirt by opening the Bed to a 45 degree angle. You will hear a slight knocking sound- that is the rear supports engaging.
- Attach the H-783 mending plates to the inside of both the Arms as shown using the H-087 screws. There are no pilot holes for these plates, attach near the top and bottom of the opening.
- Attach the Skirt to the mending plates using H-087 screws.
- Secure the skirt to the Spreader with the H-077 bracket provided and the remainder of the H-087 screws. The bracket should be placed **centered** between the Arms on the spreader.

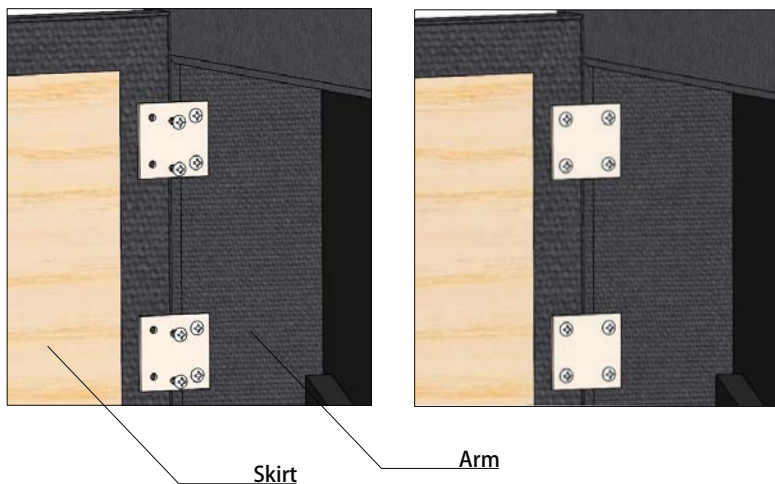
A.



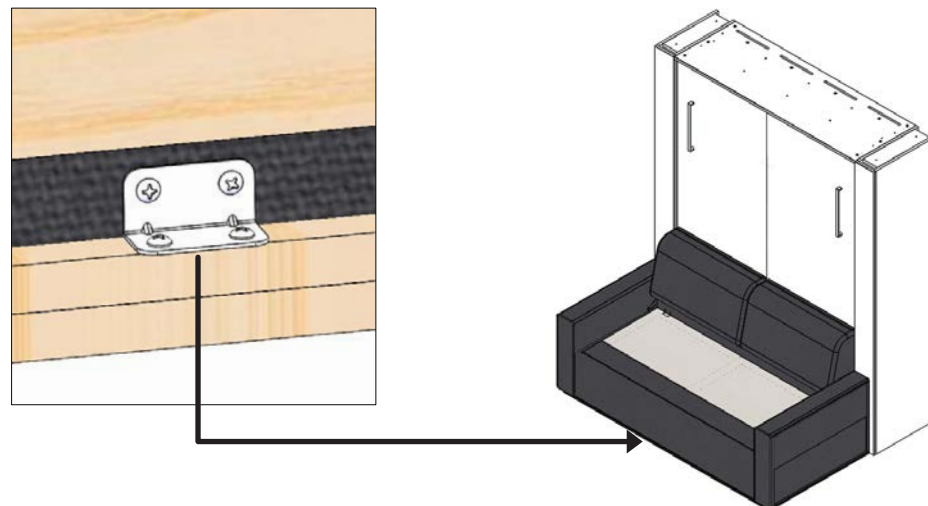
B.



C.



D.





## Step 18: Secure Mechanism Covers

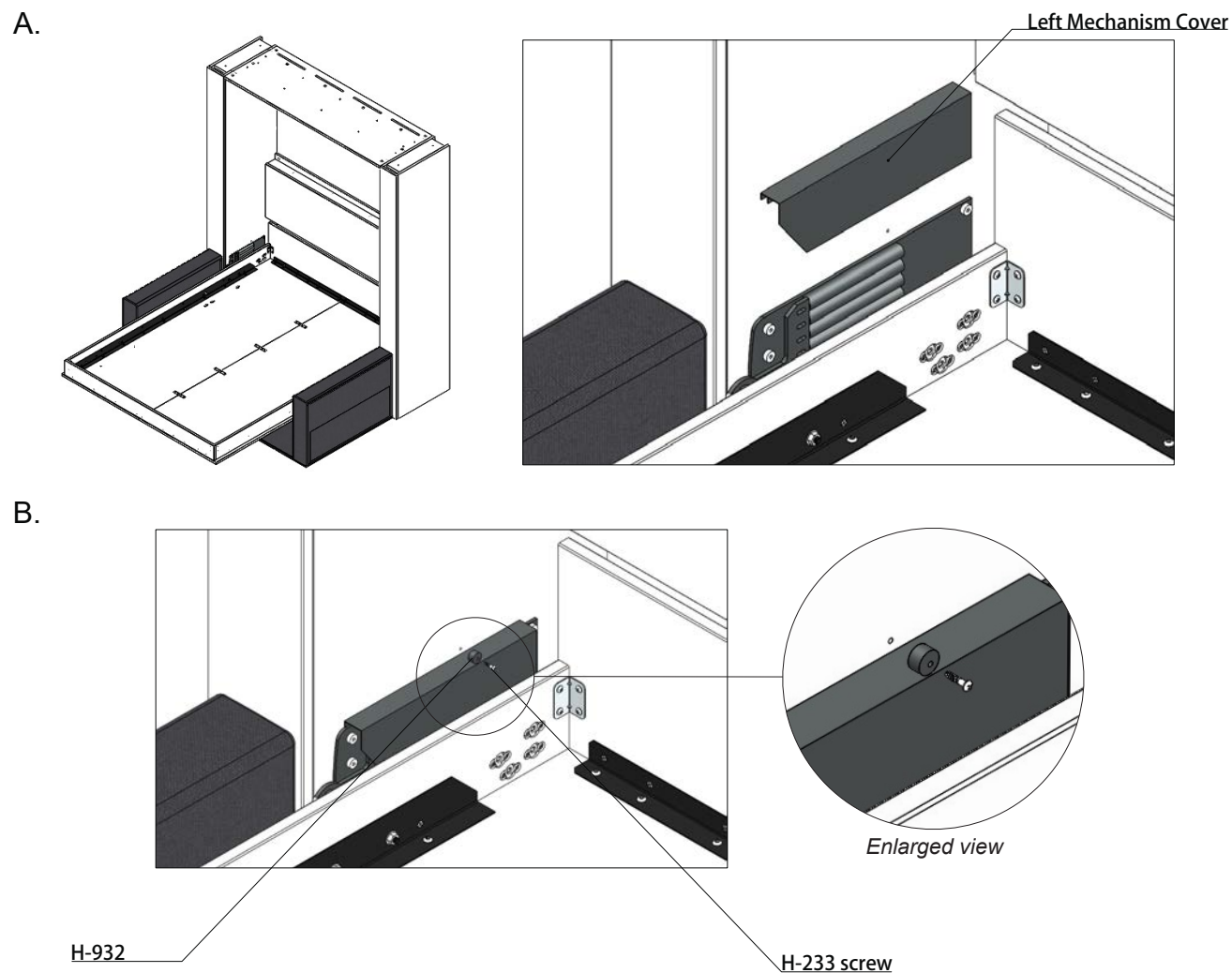
The illustrations drawn are general representations of your product's parts and hardware.

A. Open the Bed fully and place the Left Mechanism Cover over the Left Mechanism and the Right Mechanism Cover for the Right Mechanism.

B. Attach the H-233 bumpers with the H-932 screws to the inner side of the pier above the Mechanism Covers.

Note: Make sure the screw is going into the pilot hole above the Mechanism Covers as shown.

C. Be aware that pillows cannot be stored in the bed when in the sofa position, a reminder sticker has been included- it is recommended the sticker be placed on the shelf of the bed or somewhere visible

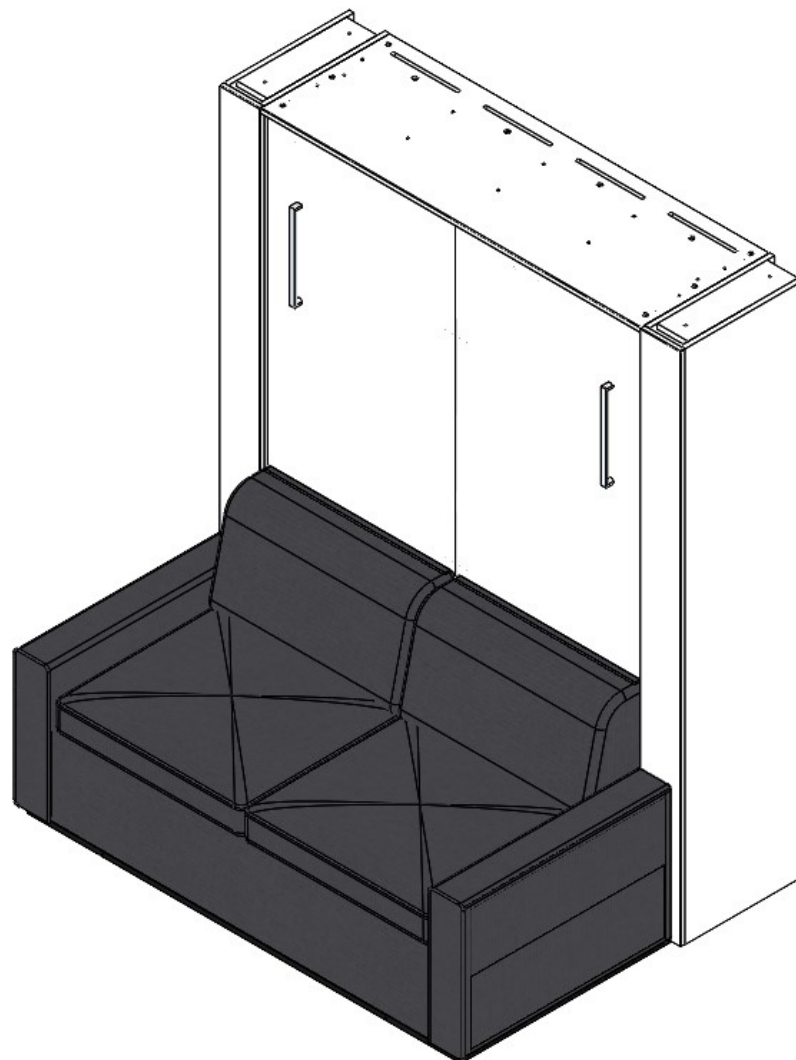




## Step 19: Seat Cushions and Mattress

The illustrations drawn are general representations of your product's parts and hardware.

- A. Put the Seat Cushions on the seat deck, make sure they are facing Velcro to Velcro
- B. Open the bed and place the mattress on the Bed Platform, cycle the bed open and closed a few times to ensure everything is functioning smoothly. If it is not, refer back to the troubleshooting section at the beginning of the assembly manual
- C. If the Bed Platform feels difficult to open, remove a spring from each mechanism (refer to 'How It Works' section at the beginning of the assembly manual).
- D. If the Bed Platform feels difficult to close, add a spring to each mechanism (refer to 'How It Works' section at the beginning of the assembly manual).



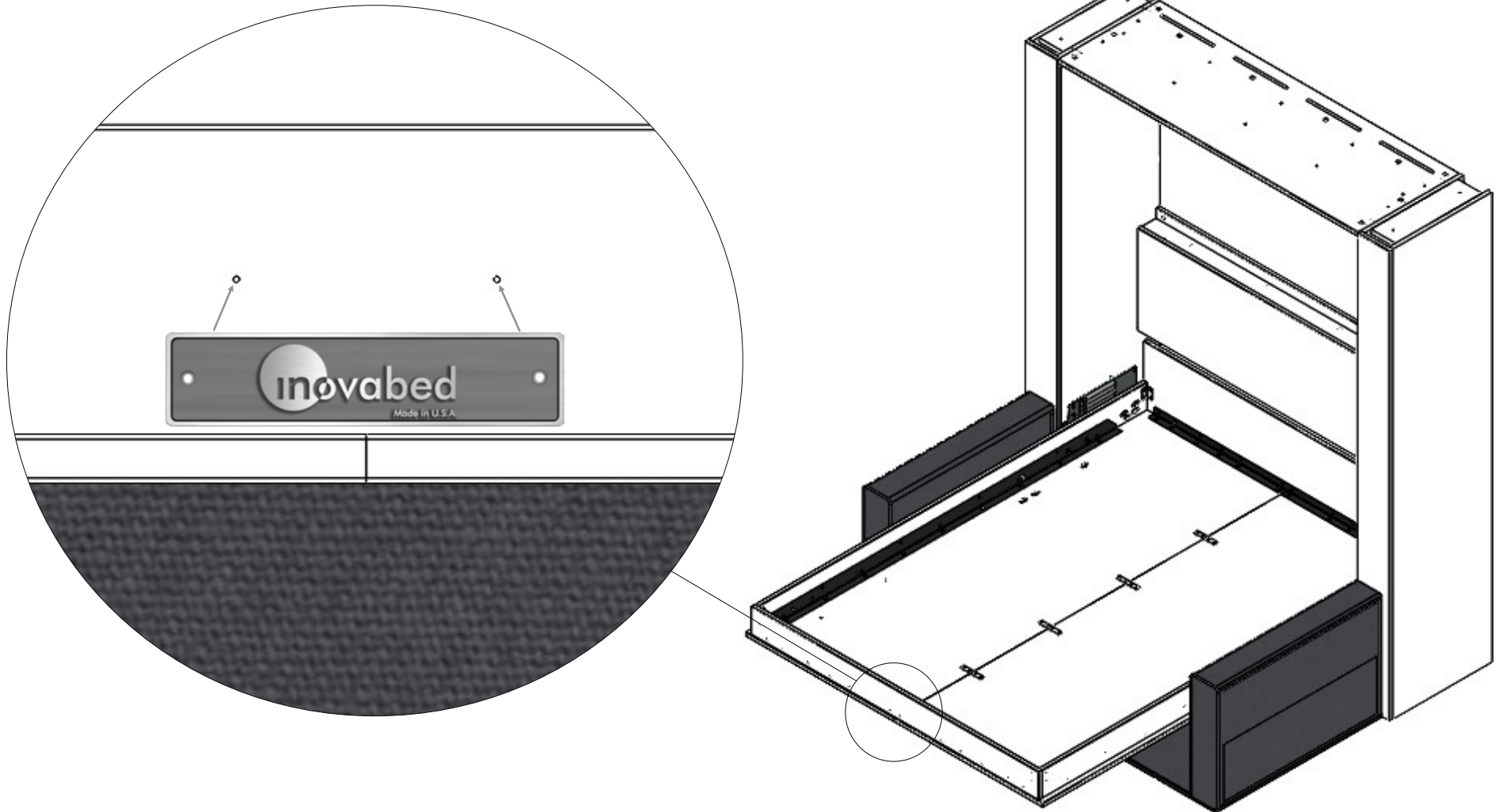
## Final Step: Plaque

The illustrations drawn are general representations of your product's parts and hardware.

---

- A. Open your InovaBed fully and attach the plaque to the Footrail using the provided screws and the #1 Phillips bit ( **Hand Tighten ONLY** ).

A.

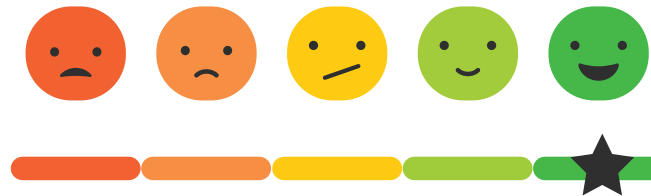


# CONGRATULATIONS!



YOUR SOFA-WALLBED IS READY FOR  
YOU TO ENJOY!

**BEFORE YOU GO...PLEASE PROVIDE  
YOUR FEEDBACK!**

## HELP US IMPROVE



Please send us your feedback and finished photos to  
[info@inovabed.com](mailto:info@inovabed.com) or tag us with #inovabeds

 Instagram @InovaBeds  
 Facebook @InovaBed

**THANK YOU FOR YOUR PURCHASE!**



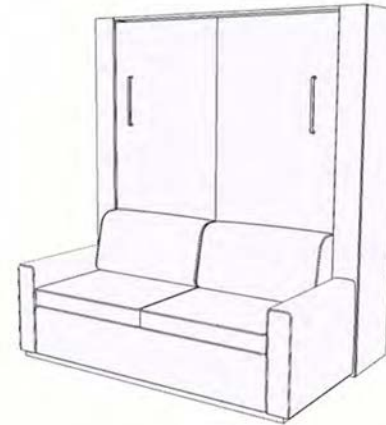
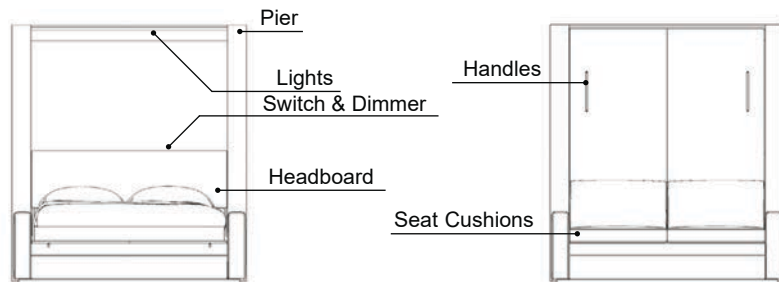
# Care and Maintenance

The illustrations drawn are general representations of your product's parts and hardware.

---

Items needed:

- #2 Phillips Screw Driver
- Dry Teflon or silicone Spray
- Adjustable Wrench
- Vacuum (Optional)



## 1. Cycle Test the Bed Up and Down

- Confirm bed is moving up and down normally.
- Test that the Bed can be raised with minimal strength.
- Leave the bed at a 45 degree angle and see if it stays in place.
- Listen for any squeaking noise and identify potential source (lubrication to be applied in later steps).

## 3. Inspect Mechanism Covers

- With the Bed open, locate the mechanisms on both sides of the Bed Platform by the Headboard.
- Check that the Mechanism Covers have small adjustable bumpers to hold them in place.
- Inspect the Mechanism Covers and determine whether it is in good condition or not ( scratches or dents would constitute as being in bad condition).

## 2. Check Handles and Tighten if Needed

- Hold the to handles and try to gently wiggle them side to side. If the handles wiggle then you will need to remove the mattress and tighten the screws.

## 4. Inspect Electrical (if applicable)

- Confirm that the lighting is functioning properly, and the switch or dimmer works when activated.
- If the Shelf has outlets or USB ports included, check that they are working as well.

# Care and Maintenance

The illustrations drawn are general representations of your product's parts and hardware.

---

## 5. Lubricate Mechanism Springs

- Remove the small bumpers that secures the mechanism covers as well as the mechanism covers.
- Ensure that all 5 bolts for each mechanism are tight or tighten them with a 4mm allen wrench.
- Inspect the springs on the mechanisms and determine whether or not they are fine or have been stretched and need to be replaced.
- Prepare to lubricate the Mechanisms by protecting any sheets/ duvet near the Mechanism.
- Lubricate the Mechanisms with either Dry Silicone Spray or Dry Teflon Spray.
- Prior to reattaching the Mechanism Covers, cycle the bed at least 10 times.
- Reattach the Mechanism Covers.

## 6. Inspect Interior and Exterior of Sofa

### **For Interior of Sofa:**

- Open the Bed to a 45° angle, inspect the sofa for any fallen or lost items and remove them.
- Inspect the parts for any visible damage.
- Check that the swing bars for the back cushions are tightened to the inner side of the arms.
- Recommended: Dust and vacuum the inside of the Sofa.

### **For Exterior of Sofa:**

- Check for any damage beyond general wear and tear.
- Flip Cushions- they are reversible.
- Recommended: clean upholstery, annually.

## 7. Lubricate all hinges

- Rear Support Hinges (Dry Silicone Spray)
- Front Support Hinges (Dry Silicone Spray)