

Items Needed

- Screw Driver
- Adjustable Wrench
- Allen Wrench
- Dry Teflon Spray or Dry Silicone Spray
- Vacuum (optional)

Videos

<https://vimeo.com/showcase/7211900>
Password: sofa manual

Step 1: Cycle test Bed Up & Down

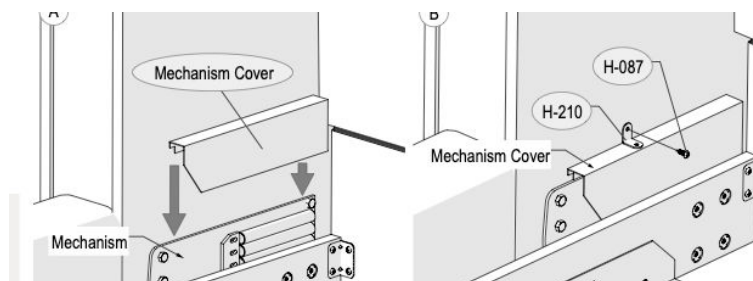
- Confirm bed is moving up and down as normal
- Listen for any squeaking noise (lubrication to be applied in further steps)

Step 2: Check Handles and Tighten if needed

- Place hand on pull and try lightly to wiggle side to side (check both pulls)
- If tightening is required, place bed in down position. Lift mattress to one side in order to access behind handle. Tighten handles on both sides. Place mattress back in place.

Step 3: Inspect Mechanism Covers

- With Bed open, locate mechanisms (on both sides)
- Check that the mechanism covers have the brackets to hold them in place
- Visibly check the mechanism cover to make sure it's in good shape (not bent)

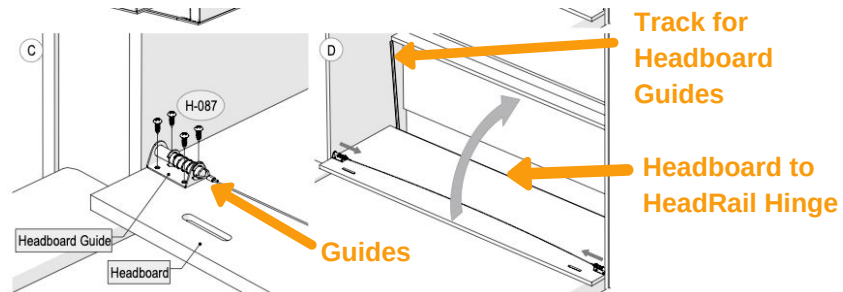
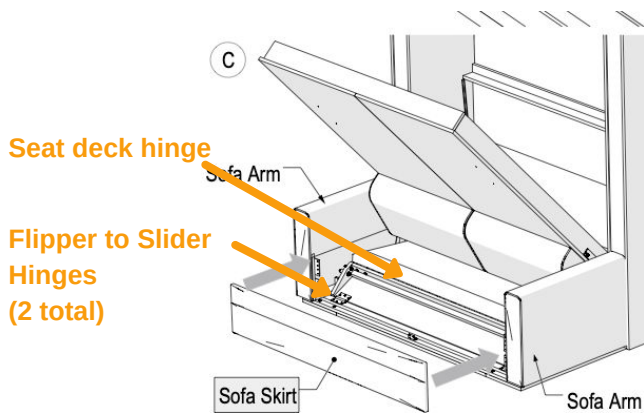


Step 4: Lubricate Mechanism Springs & Brass Bushings

- Remove bracket and cover (see above)
- Ensure all bolts are tight; if needed, tighten
- Inspect springs - check for any that appear stretched. If so, they should be replaced.
- Protect any sheets/duvet near mechanism prior to spraying
- Use a [Dry Silicone Spray](#) or [Dry Teflon Spray](#) on springs and brass bushings
- Do the same to the other mechanism
- Prior to placing the cover and bracket, cycle the bed approximately 10 times.
- Place covers and brackets back onto mechanism

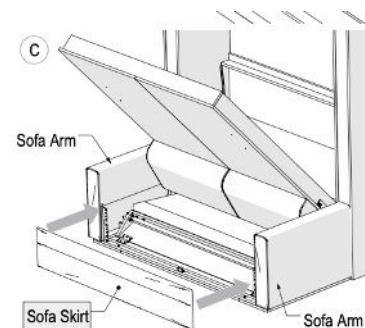
Step 5: Lubricate all Hinges and Guides

- Check and spray all Hinges and Guides:
 - Headboard to HeadRail Hinge (Use a Dry Silicone Spray)
 - Guides behind Headboard (Use a Dry Silicone Spray)
 - Tracks for Headboard Guides, located at interior cabinet sides - (Use Dry Teflon Spray)
 - Seat Deck Hinge (Use Dry Silicone Spray)
 - Flipper to Slider Hinges (Use Dry Silicone Spray)



Step 6: Inspect interior of Sofa; and Upholstery

- For Interior of Sofa:
 - With bed at 45 degree angle, check to see if any items have fallen inside - if so, remove
 - Quick check parts for any visible damage
 - Recommended: dust and vacuum if needed
- For Sofa:
 - Check for any damage beyond wear and tear
 - Flip cushions - they are reversible
 - Recommended: professionally clean upholstery annually



Step 7: Inspect Electrical

- Confirm lighting works properly, turns on and off and if there is a dimmer, it dims
- If USB ports are included, confirm they are working properly

Date Completed: _____
 By: _____
 Next inspection date: _____

Notes: _____

