

# SEPURA™



## *USER GUIDE*

# SEPURA™

Sepura Home  
SUP-001-02



## USER GUIDE

# Dear you,

From all us here at team Sepura, thank you so much for supporting us. When our founder, Victor, was hunched over under his kitchen sink disassembling his plumbing after a bad ordeal with potato peels and a garbage disposal, he knew there must be a better way of disposing of food waste.

Thousands of conversations, tens of thousands of man hours, years of tinkering, and support from customers like you have gotten us to this point. Now it's time for you to step into the world we've been living in for the past few years: the world of Sepura.

I'm sure we don't need to tell you this, but when food waste is improperly disposed of, it typically ends up in landfills and produces a LOT of greenhouse gases like methane and carbon dioxide.

By choosing Sepura, you're doing your part to divert that food waste away from landfills. Thank you.

- Team SEPURA

---

## In the next 12 months...

**540,000** kg of CO<sub>2</sub> emissions diverted by Sepura

**240,000** kg food waste diverted from landfills by Sepura

**1** happier planet

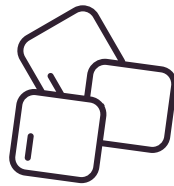
# IMPORTANT SAFETY INSTRUCTIONS & WARNINGS

---



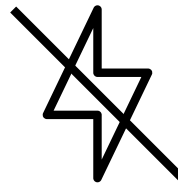
## Don't Reach

Do not put your hands down the drain. While Sepura doesn't have any blades, fingers can still get pinched if caught in the auger (and trust us, it hurts).



## Ice Cubes

If ice cubes are placed in your sink, make sure these melt before running Sepura, otherwise they will create unwanted water in the Collection Center.



## Lost Power

If Sepura loses power, make sure the valve is closed by reaching under the carbon filter and manually closing the valve. (see Troubleshooting page)



## Chemicals

Be mindful of what you pour into your drain as it could end up in your compost. If you pour in a toxic chemical, make sure to rinse carefully before running Sepura.

## Suggested Practices

---

### Liquids



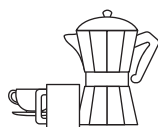
Refrain from pouring water or liquids down the drain as Sepura is running to avoid getting liquids into the Collection Centre.

### Grease and Oils



Sepura can handle hardened grease. If still liquid, or in the case of cooled oils, place directly into the Collection Centre to avoid sending it down the drain.

### Coffee Grinds



Empty coffee grinds directly into the Collection Centre to avoid sending it down the drain.

### Paper Towel



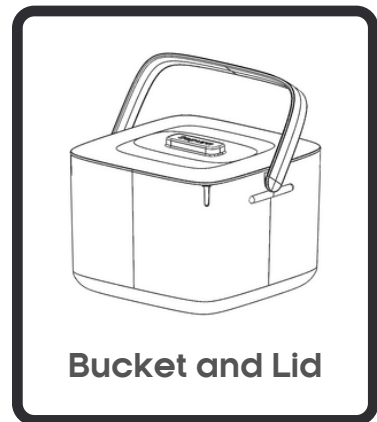
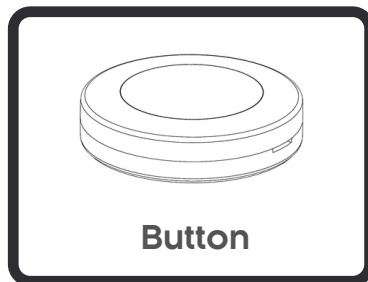
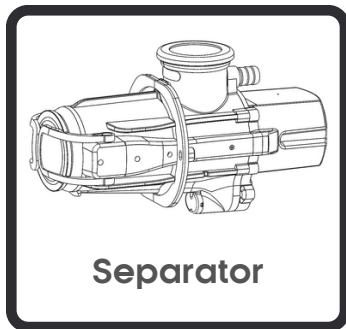
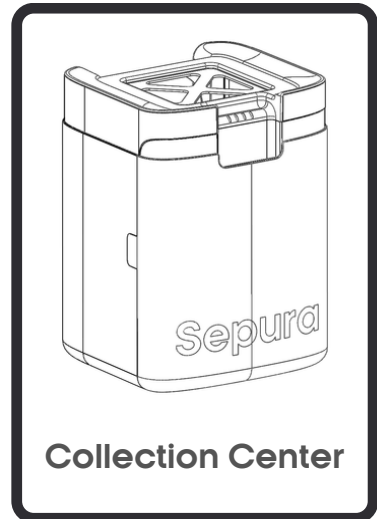
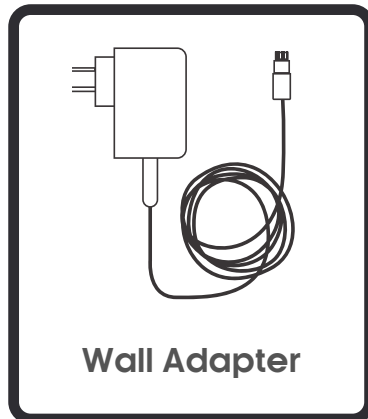
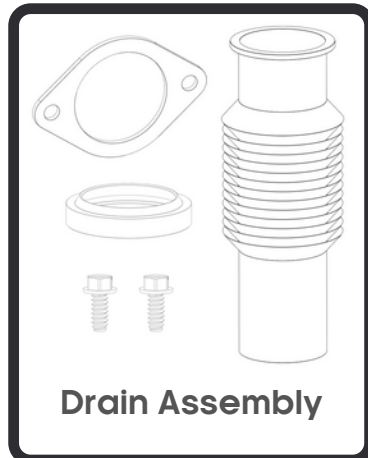
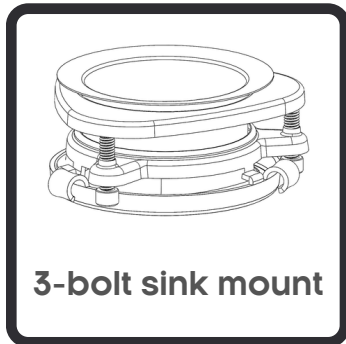
While Sepura can process paper towel, occasionally wet paper towel will get stuck until something else knocks it free.

**SAVE THESE INSTRUCTIONS**

# Parts Included

---

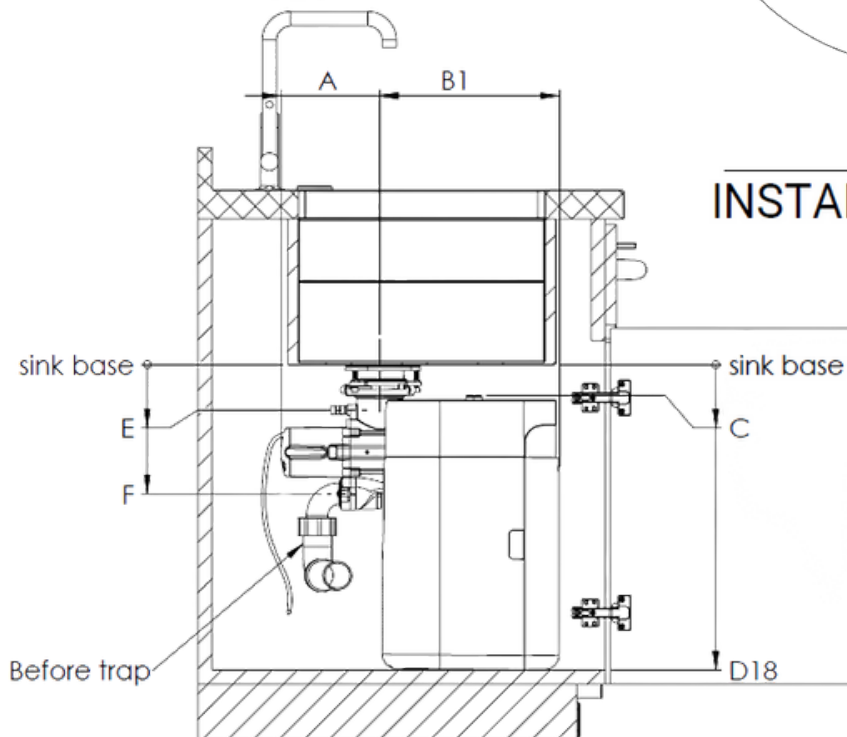
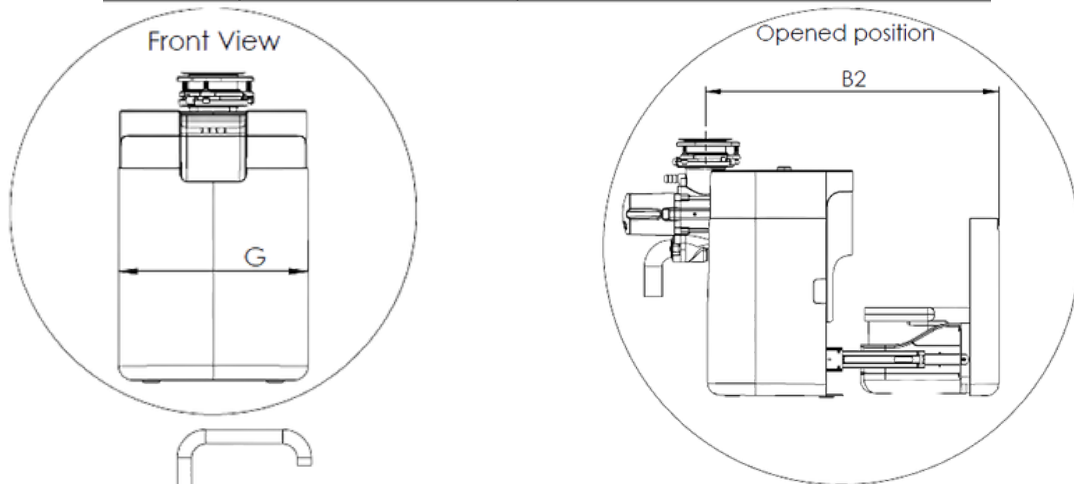
In addition to the beautiful Sepura unit you've received, there are a few parts you need to make sure that Sepura is installed correctly.



# Dimensions

It's important to create enough room for Sepura under your sink before beginning installation.

Dimension	Value	Description
A	175mm   6.9in	drain center to furthest point back
B1 B2	318mm   12.5in 606mm   23.8in	drain center to furthest point of collection center (closed and opened)
C	56mm   2.2in	bottom of sink to top of collection center
D1 - D22	441mm   17.3in 567mm   22.3in	space needed under sink (adjustable)
E	80mm   3.2in	bottom of sink to dishwasher drain adapter
F	230mm   9.0in	bottom of sink to sepura drain outlet
G	336mm   13.2in	width of collection center



## Sepura Home INSTALLATION DRAWINGS

SCALE: 1:10

# Table of Contents

---

Introduction .....	1
Warnings .....	2
Parts Included .....	3
Dimensions .....	4

## Installation

### **Removing an existing garbage disposal?**

Removing Garbage Disposal .....	6-7
---------------------------------	-----

### **Ready to install the 3-bolt sink mount?**

Installing Mount .....	7-8
------------------------	-----

### **Ready to install Sepura?**

Installing Sepura .....	9-11
-------------------------	------

Turning on Sepura .....	12-13
-------------------------	-------

Installing Sepura's Button .....	14
----------------------------------	----

## **Using Sepura**

Using Sepura .....	15
--------------------	----

Status Indicator Lights .....	16-18
-------------------------------	-------

Regular Use .....	16
-------------------	----

Booting Up .....	16
------------------	----

Warnings .....	17
----------------	----

Software Updates .....	17-18
------------------------	-------

Bin Calibration .....	18
-----------------------	----

Maintenance .....	19
-------------------	----

Troubleshooting .....	20
-----------------------	----

# Removing Garbage Disposal

---

## WARNING

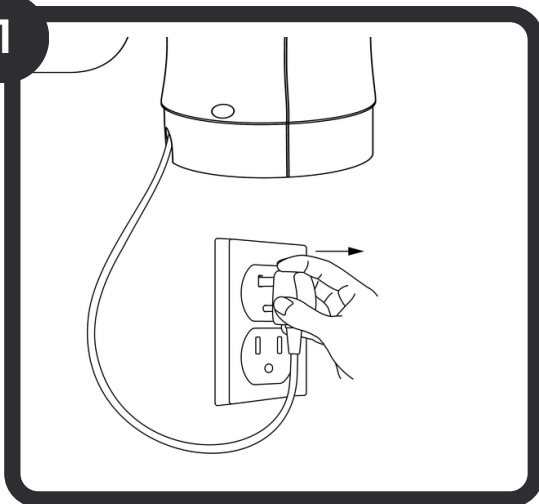
### Shock Hazard

Turn off electric power at fuse box or circuit breaker.

## CAUTION

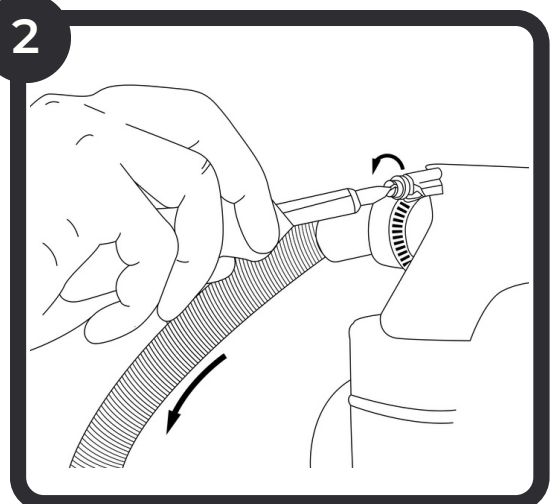
Clean drain line before installing Sepura. Failure to do so may result in drain line blockage.

1



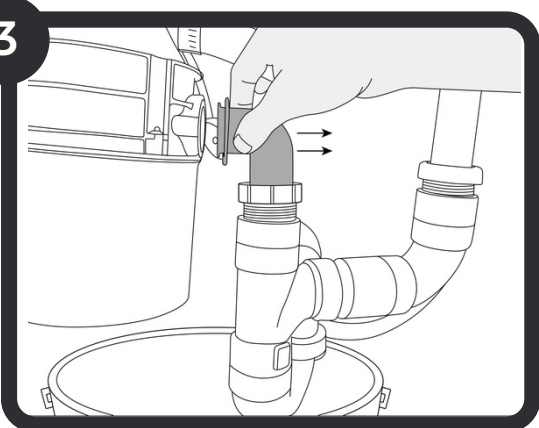
Unplug your old garbage disposal unit.

2



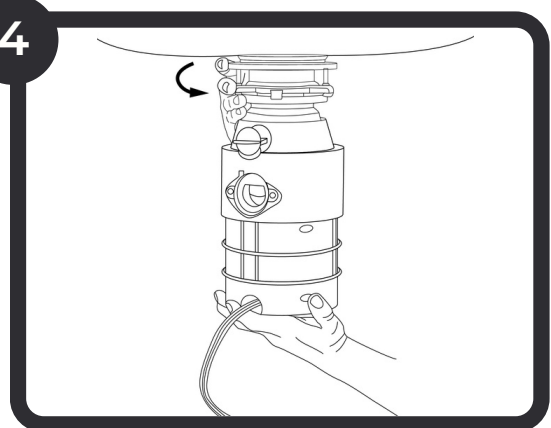
Disconnect the dishwasher drain tube (if installed).

3



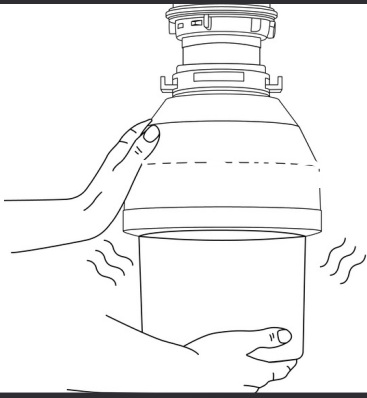
Disconnect the drain pipe from the rest of the plumbing (there might be some water that drips down at this stage, so have a bucket handy).

4



Twist the sink mount ring attached to free the garbage disposal (if stuck, use your screwdriver inside the loops to create leverage). The disposal unit is heavy, so prepare for that to avoid damage to your plumbing.



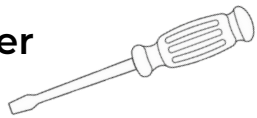
**5**

Wiggle the unit free and remove it from under your sink.

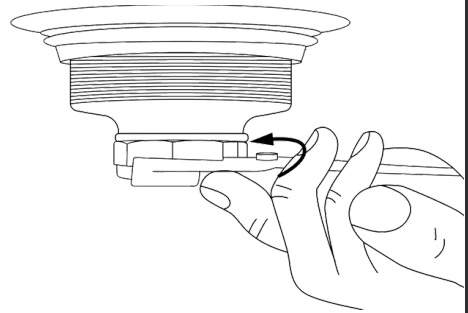
## Installing Mount

### WHAT YOU'LL NEED

Screwdriver

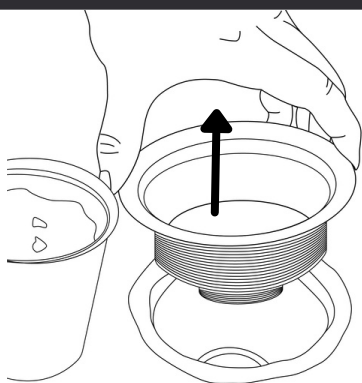


Plumber's Putty

**A**

If needed, remove your sink's previous strainer by:

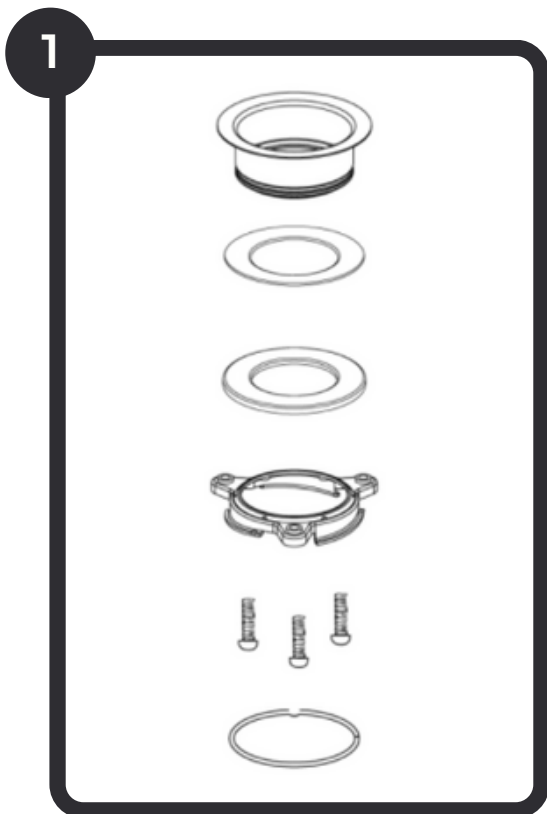
- Making sure all plumbing below is disconnected and out of the way,
- unscrewing the strainer nut below the sink to free up the strainer flange for removal.

**B**

Remove the flange by pushing up underneath it and then removing it from inside the sink. Make sure any food waste and glue residue is wiped clean and dried before continuing.

# Installing Mount (continued)

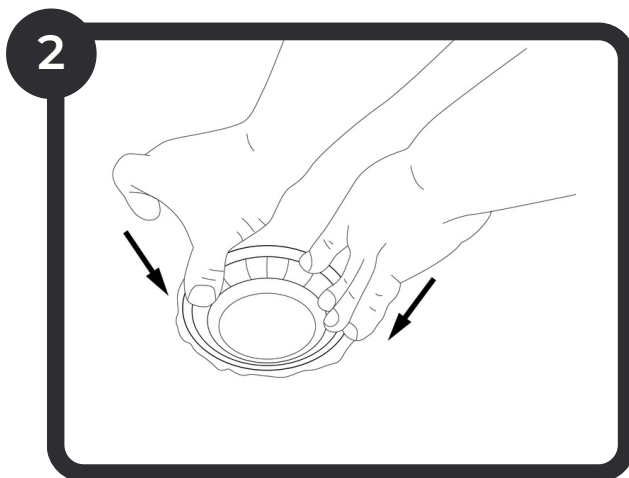
---



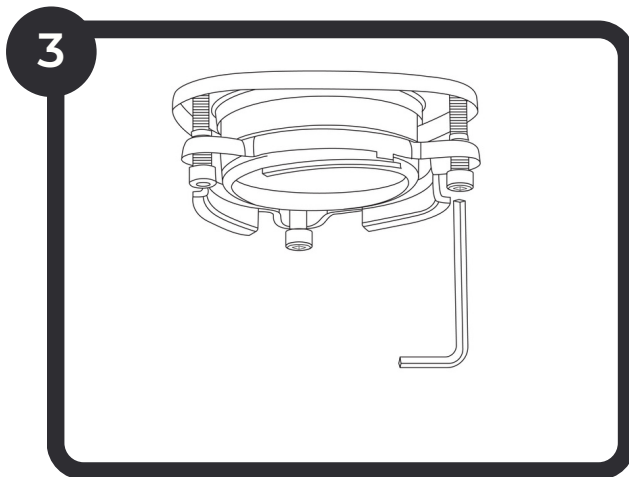
You can now grab the 3-bolt sink mount from the box. Separate the flange by loosening the three bolts and removing the snap ring.

## TIP

You can remove the snap ring from the sink mount with a flat head screwdriver.



Roll up the plumber's putty into a thin, long roll and apply around the bottom side of the flange ring. Center the flange in your sink and press down firmly to create a seal.

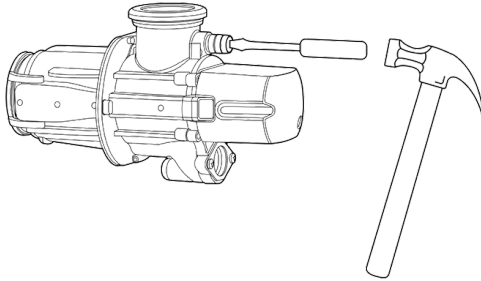


Go underneath your sink and reassemble the parts of the mount as they were before. Use the snap ring to lock them into place. Tighten the 3 bolts by increments like a car tire to create an even space all around.

# Installing Sepura

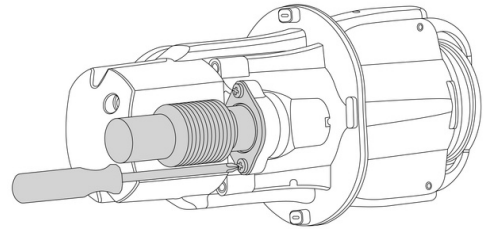
---

1



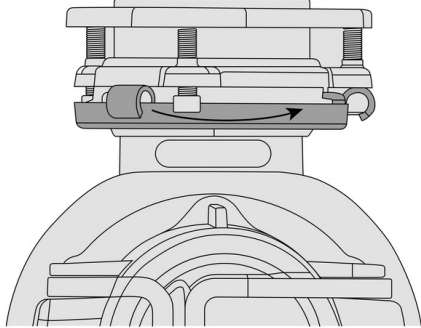
(OPTIONAL) Grab Sepura's Separator component and if you have a dishwasher drain, knock out the plug with your hammer and screwdriver.

2



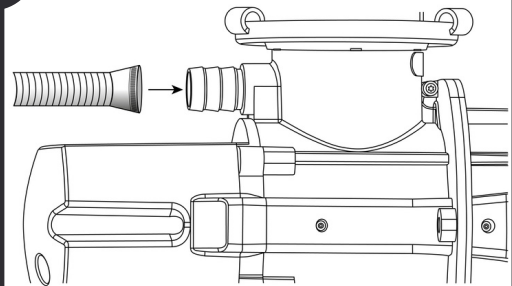
Fasten the flexible drain tube at the bottom of the Separator, making sure it is watertight. (Bolts might squeak when fastening, this is normal.)

3



Position the Separator under your sink with the valve door and latch facing you. Connect it to your sink by twisting the bottom ring onto the 3-bolt sink mount. Make sure the Separator's gasket is in place (in between the sink mount and its drain opening) and to tighten the mount's ring all the way up to the notch, otherwise leaking can occur. Then, connect the flexible drain tube to your plumbing, making sure it is watertight.

4

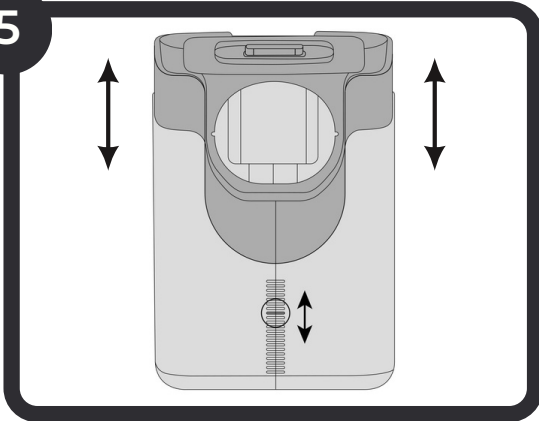


(OPTIONAL) If you have a dishwasher drain, connect this to the Separator's dishwasher drain inlet. Make sure the plug was knocked out in step 1.

# Installing Sepura (continued)

---

5

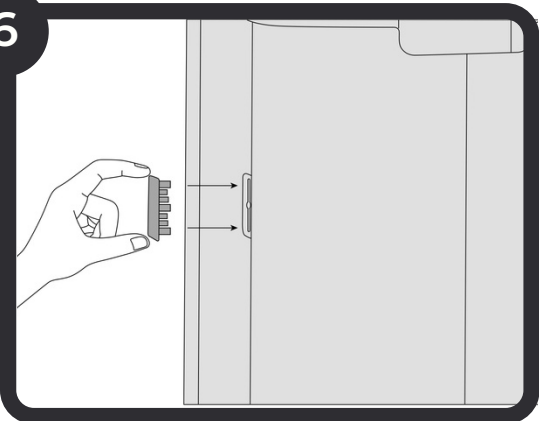


Now, grab Sepura's Collection Center, remove the bucket and lid inside, and slide into place with the door facing you. Adjust its height by sliding the top compartment until the Separator component fits inside the back opening.

## TIP

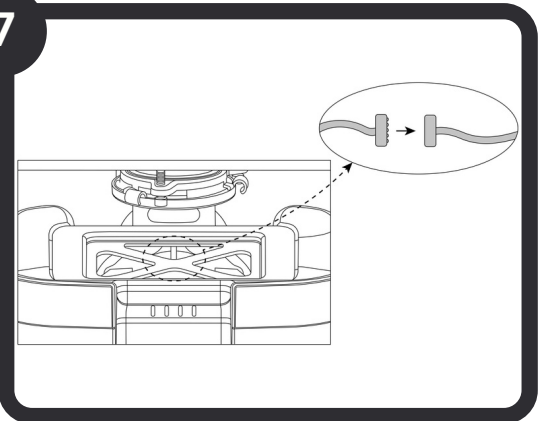
Remove the entire door/tray of the Collection Center with the quick-release tabs on the rails so it is easier to work with.

6



Once a height is reached where the Separator can fit through the back opening of the Collection Center freely, lock the height in place with the side clips.

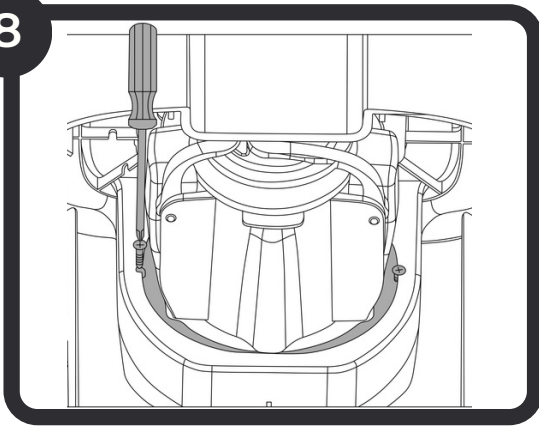
7



Press the Collection Center up against the Separator's foam ring. Then, reach in through the opening at the top and connect the data cable.

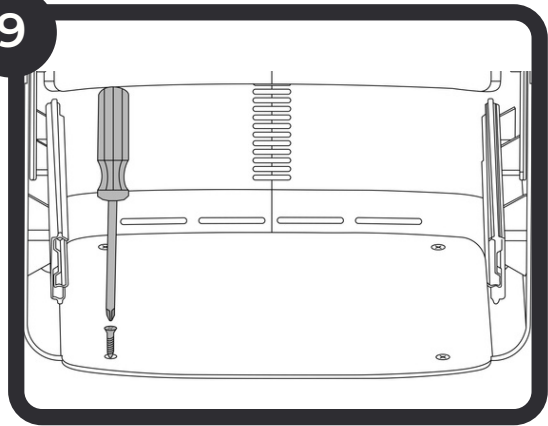
# Installing Sepura (continued)

8



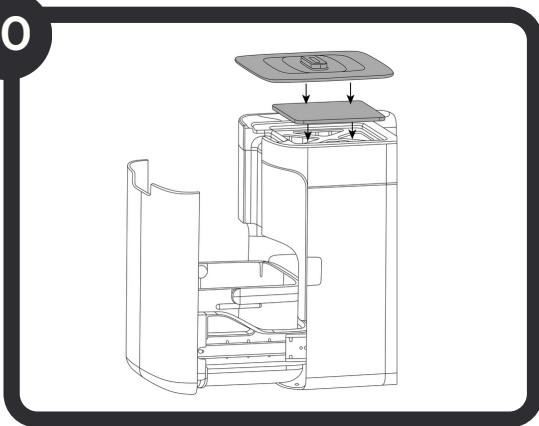
Make sure the Collection Center is pressed up against the Separator's foam ring to create an air-tight seal, then use the 2 small screws provided to fasten the two together.

9



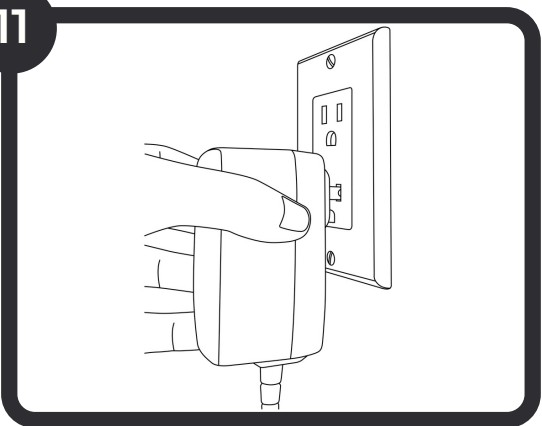
Secure the Collection Center into the baseboard with the 4 wood screws left.

10



Re-install the door if you removed it, and place the bucket inside. Remove the carbon filter from its packaging and place on top of the Collection Center. Remember to remove the lid from the bucket and to place it on top of the carbon filter as well.

11



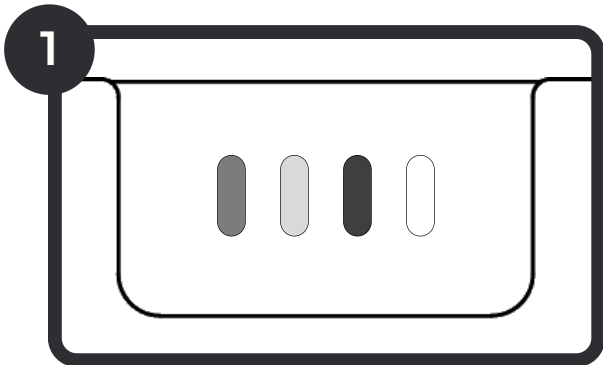
Plug Sepura in and make sure your wall socket has power (this can now stay on indefinitely).

## CHECKPOINT

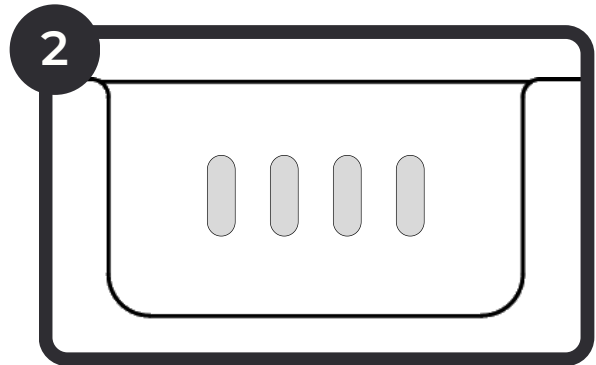
The lights on the front of the Collection Center should now be on! Please follow the next steps to finish setting up Sepura.

# Turning on Sepura

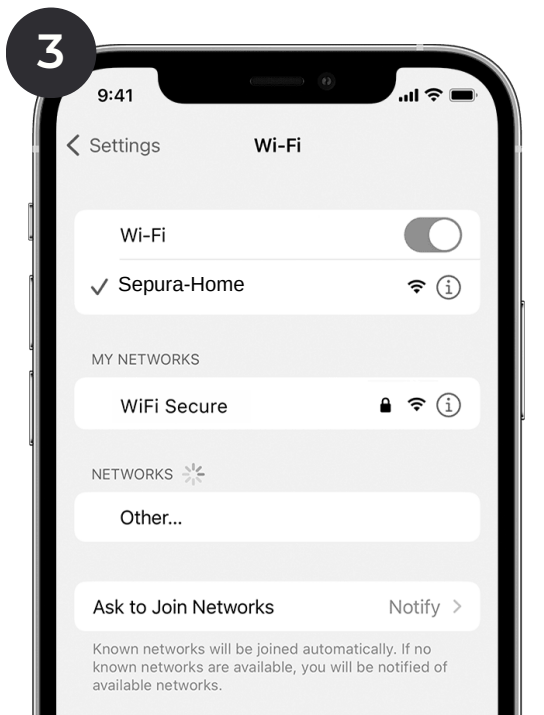
---



Once plugged in, you will notice a multi-colored light animation display on the Collection Center's LED lights.



Sepura will then create an Access Point to connect to Wi-Fi. Its progress will be shown by the lights loading in green. Once the Access Point is ready, the lights will blink slowly green.

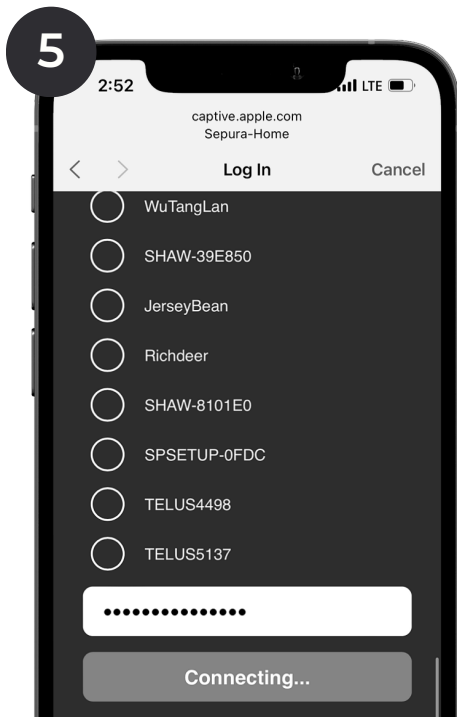


Next, connect Sepura to your home Wi-Fi by going into the Wi-Fi settings of your phone and looking for the Sepura-Home network. Depending on different home networks, this may take up to 10 minutes to be visible.

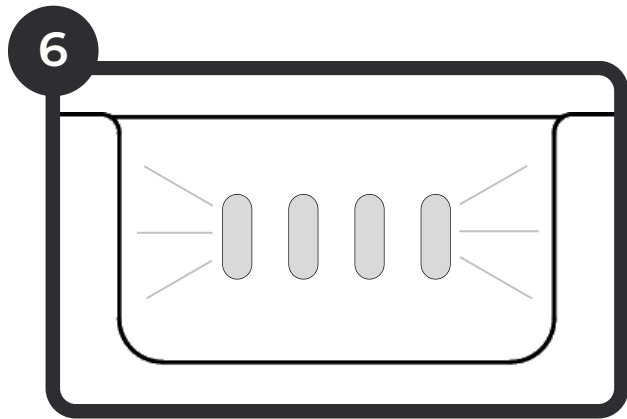


Once connected, this will open our splash page. If this does not open automatically, check your notifications or type in your modem's IP address in the search bar of your browser (e.g. 192.168.1.1). This should automatically redirect you to our splash page.

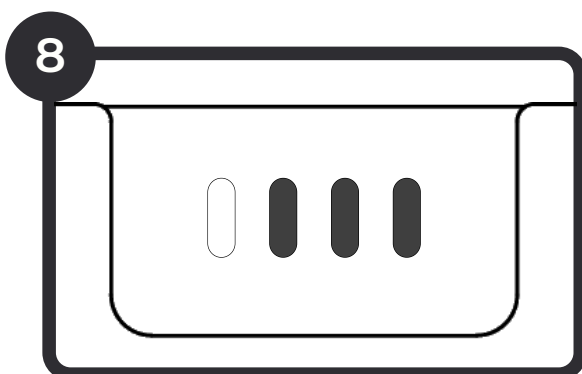
# Turning on Sepura



Once on the splash page, hit the "Scan Wi-Fi" button, this will display a list of all available networks. Select your home Wi-Fi (note that only 2.4GHz is accepted), scroll down and enter your Wi-Fi password and hit Connect.



Once connected, the lights on the Collection Center will flash green and a message will also appear on the splash page indicating a successful connection.



During calibration, the lights will progressively light up white. Once successful, the first light will flash white, before staying on to indicate it is now in Normal Mode.

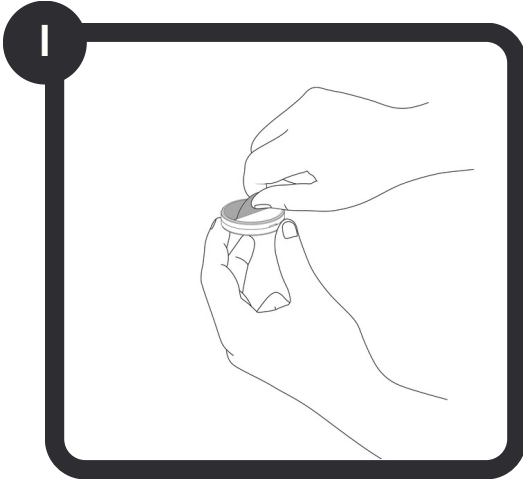
Next, it is important to calibrate the sensors onboard the Collection Center to its newly adjusted height so it can accurately display how full it is. While still on the Splash Page, hit the "Bin Calibration" button to do that.

# Installing Sepura's Button

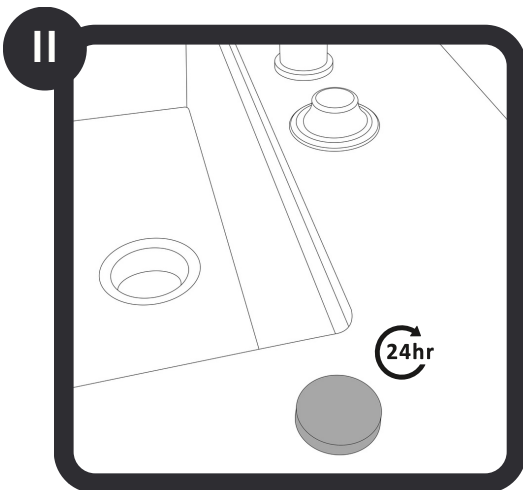
---

## CHECKPOINT

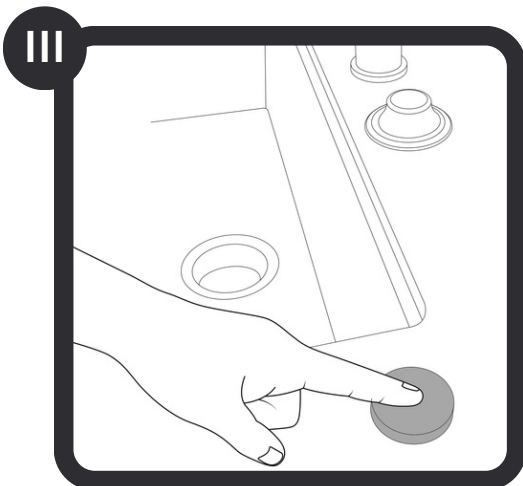
Decide on where you'd like to place your button. Once placed, you can't move it. Make sure the area is wiped clean and completely dry.



Once the area is completely dry, remove the adhesive backing from the button.



Press the button, adhesive side down, firmly into place. Wait 24 hours before wetting the area again.



Test it out! Your Sepura unit should now be ready to use.



# Using SEPURA

---

Your Sepura unit is always learning and improving through over-the-air updates. Please visit [sepurahome.com/guide](http://sepurahome.com/guide) for the most up to date information.

## PLEASE NOTE

You do not need to run water while Sepura is turned on.

## CAUTION - INJURY RISK

While Sepura has no blades, having your finger get caught can cause injury. Do not reach down the drain with your bare hands.

### Normal Mode

---

To run Sepura, simply click the button. This will open the separator's valve and your unit will begin the separation process. Sepura will turn itself off after a few seconds, or you can click the button again to turn it off sooner.

### Flooded Mode

---

If you try to turn Sepura on while the water level in your sink is too high, Sepura will keep its valve closed to prevent liquids from entering the Collection Center. Once enough liquid has drained, Sepura will then start the separation process on its own.

### Stuck Mode

---

If too much food waste or a solid item like a fork gets accidentally dropped into the Separator, Sepura will try to free itself. If that fails, it will back up, stop and beep. After you hear the beep, you can then remove the item.

# Status Indicator Lights

---

## Regular Use

### Bin Capacity



White lights indicate how full the bin is inside the Collection Center.

---

## Booting Up

### Booting



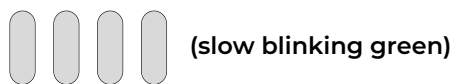
While Sepura is booting, a lights animation will display in blue, green, pink and white.

### Creating Access Point



While Sepura is creating its Wi-Fi hotspot, lights will progressively light up green.

### Access Point is Live



Once the Sepura-Home hotspot is created, lights will slowly blink green.

### Successfully Connected to Home Wi-Fi



After connecting Sepura to your home's Wi-Fi, lights will flash green twice when successful.

---

# Warnings

## Bin Too Full



Lights will flash white when the bin inside the Collection Center is full.

## Stuck



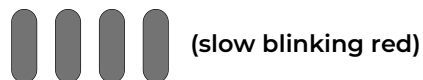
If Sepura gets stuck, lights will flash blue until you safely remove the object obstructing it.

## Flooded



If sink is full of water, lights will flash yellow until Sepura is free to run again.

## Something Went Wrong



If lights are breathing red, factory reset Sepura by clicking the button 4 times, waiting until the lights turn purple, and then clicking the button once more.

---

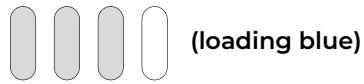
# Software Update

## Long Press (10 seconds)



Press and hold button until white lights flash once to start the over-the-air update.

### Connecting to Wi-Fi



Lights will progressively light up blue as Sepura connects to your home Wi-Fi.

### Updating



While Sepura is undergoing an over the air update, lights will breathe white.

### Update Successful



Once Sepura has updated successfully, lights will flash white.

---

## Bin Calibration

### Extra Long Press (15 seconds)



Press and hold button until white lights flash twice to start calibration.

### Calibrating



While the Collection Center is calibrating, lights will progressively light up white.

### Calibration Successful



Once calibration is successful, the first light will flash white.

# Maintenance

---

## Carbon Filter

---

We recommend that you replace the carbon filter every 3 months, or sooner if odours become noticeable.

## Bags / Liners

---

Sepura can be used with or without liners/bags. If you do use liners, remember to change these before they start dissolving at the bottom.

## Cleaning

---

Your Sepura unit doesn't require any internal cleaning. The Separator component cleans itself every time you run it.

## Power

---

Always keep Sepura powered on. Sepura is a very low powered device and is meant to be kept powered at all times.

# Support

---

## Servicing

A member of our customer support team will be happy to help you with any issues you may encounter. If you did not buy your Sepura unit directly from [sepurahome.com](http://sepurahome.com), please get in touch with the retailer you purchased your unit from. Please include your order number when contacting our team. Or visit [sepurahome.com/guide](http://sepurahome.com/guide).

**For technical support:**  
[support@sepurahome.com](mailto:support@sepurahome.com)

**For general inquiries:**  
[info@sepurahome.com](mailto:info@sepurahome.com)

## Warranty

Every Sepura comes with a one (1) year manufacturer's warranty. This covers any flaw that renders the product unusable caused by an error in our manufacturing process.

It is the user's obligation not to tamper with the product in any way. Doing so will void the warranty. Customer will need original purchase receipt at the time of making a warranty claim.

**Exclusions:** This warranty DOES NOT cover damage due to accident, fire, flood, and/or other Acts of God, misuse, incorrect line voltage, improper installation, improper or unauthorized repairs, commercial use, or damage that occurs during shipping.

Customer adjustments which are explained in this owners manual are not covered under the terms of this warranty. This warranty will automatically be voided for any unit found with a missing or altered serial number. This warranty is valid only on products purchased and used in Canada and the U.S.A.



**GUIDE DE  
L'UTILISATEUR**

# **Cher vous,**

De la part de toute l'équipe Sepura, merci beaucoup de nous soutenir. Lorsque notre fondateur, Victor, était courbé sous l'évier de sa cuisine pour démonter sa plomberie après une mauvaise expérience avec des pelures de pommes de terre et un broyeur, il savait qu'il devait y avoir une meilleure façon de se débarrasser des déchets alimentaires.

Des milliers de conversations, des dizaines de milliers d'heures de travail, des années de bricolage et le soutien de clients comme vous nous ont permis d'en arriver là. Il est maintenant temps pour vous d'entrer dans le monde dans lequel nous avons vécu ces dernières années : le monde de Sepura.

Je suis sûr que nous n'avons pas besoin de vous le dire, mais lorsque les déchets alimentaires ne sont pas correctement éliminés, ils finissent généralement dans des décharges et produisent BEAUCOUP de gaz à effet de serre comme le méthane et le dioxyde de carbone.

En choisissant Sepura, vous faites votre part pour détourner ces déchets alimentaires des sites d'enfouissement. Merci.

**- Équipe Sepura**



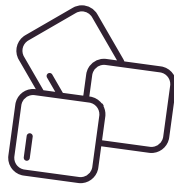
# Avertissements

---



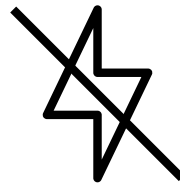
## Pas de mains

Ne mettez pas vos mains dans le drain. Bien que Sepura n'ait pas de lames, les doigts peuvent toujours être pincés s'ils sont pris dans l'appareil (et croyez-nous, ça fait mal).



## Glaçons

Si vous placez des glaçons dans votre évier, assurez-vous qu'ils fondent avant de faire fonctionner Sepura, sinon ils créeront de l'eau indésirable dans le centre de collecte.



## Perte de Puissance

Si Sepura perd de l'énergie, assurez-vous que la valve est fermée en passant la main sous le filtre à charbon et en fermant manuellement la valve. (voir la page de dépannage)



## Produits Chimiques

Faites attention à ce que vous versez dans votre drain, car cela pourrait se retrouver dans votre compost. Si vous versez un produit chimique toxique, assurez-vous de le rincer soigneusement avant de faire fonctionner Sepura.

## Pratiques Suggérées

---

### Liquides



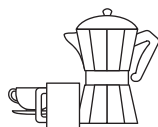
Évitez de verser de l'eau ou des liquides dans le drain pendant que Sepura fonctionne pour éviter que des liquides rentrent dans le centre de collection.

### Graisse & Huile



Sepura peut traiter de la graisse durcie. S'il est encore liquide, ou dans le cas d'huiles refroidies, placez-le directement dans le centre de collection pour éviter de l'envoyer à l'égout.

### Moulins à Café



Videz les moutures de café directement dans le centre de collection pour éviter de les envoyer à l'égout.

### Serviette en Papier

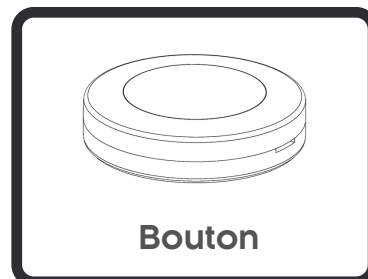
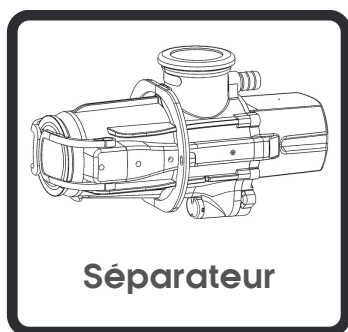
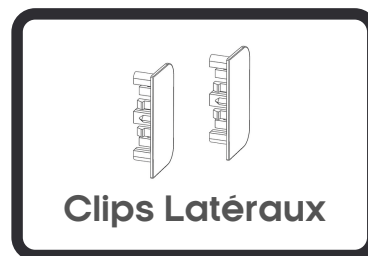
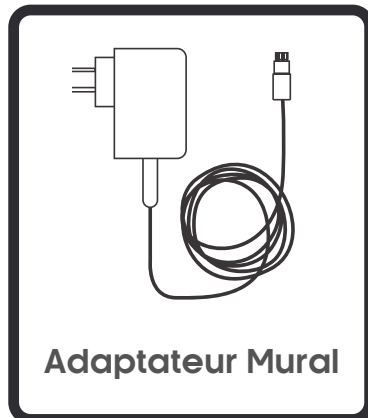
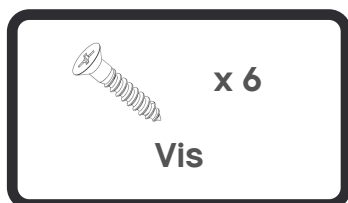


Bien que Sepura puisse traiter les essuie-tout, il arrive qu'ils restent coincés jusqu'à ce qu'un autre élément les libère.

# Pièces Incluses

---

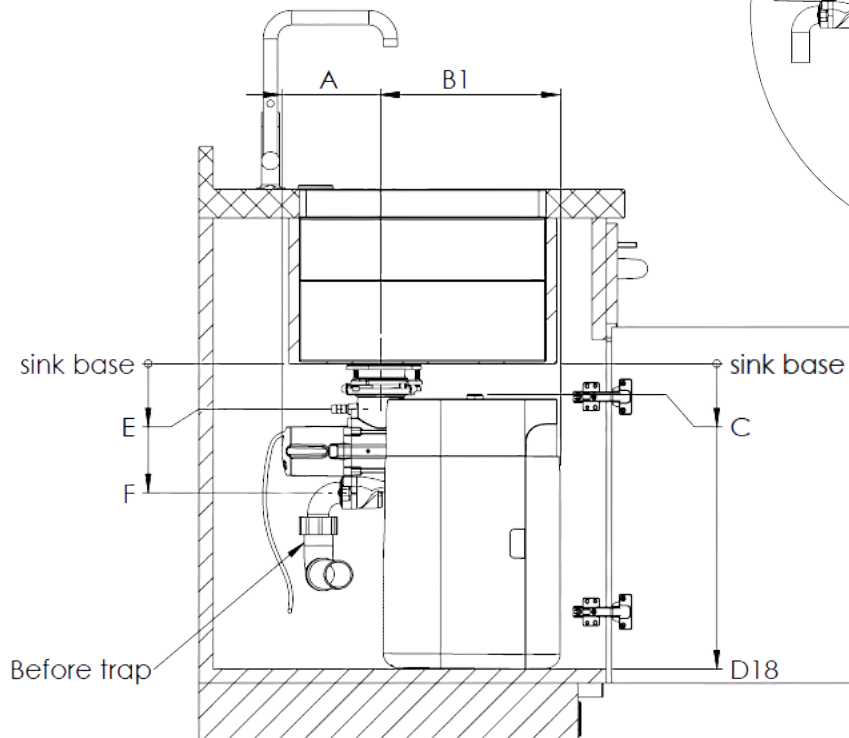
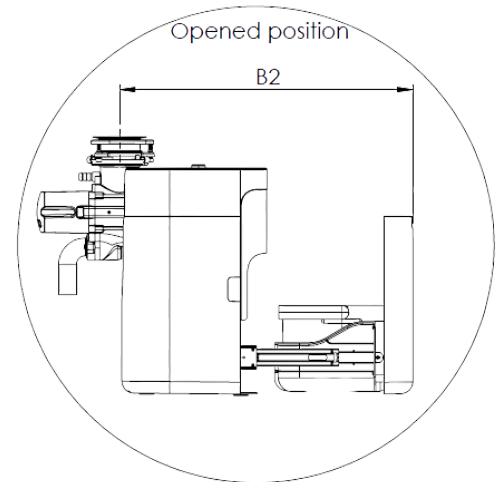
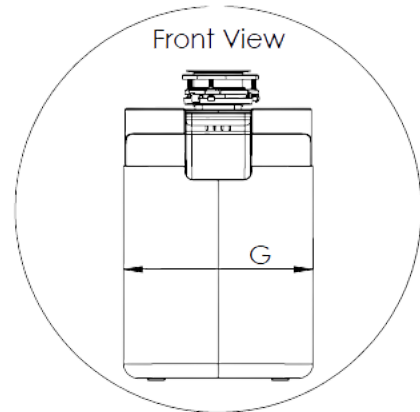
En plus de la belle unité Sepura que vous avez reçue, il y a quelques pièces dont vous avez besoin pour vous assurer que Sepura est installé correctement.



# Dimensions

Il est important de créer un espace suffisant pour Sepura sous votre évier avant de commencer l'installation.

Dimension	Value
A	175mm   6.9in
B1	318mm   12.5in
B2	606mm   23.8in
C	56mm   2.2in
D1 - D22	441mm   17.3in 567mm   22.3in
E	80mm   3.2in
F	230mm   9.0in
G	336mm   13.2in



# Table des Matières

---

Introduction .....	1
Avertissements .....	2
Pièces Incluses .....	3
Dimensions .....	4

## Installation

### **Retirer un broyeur à déchets existant?**

Enlèvement des ordures ménagères .....	6-7
--	-----

### **Prêt à installer le support d'évier à 3 boulons?**

Installation du support .....	7-8
-------------------------------	-----

### **Prêt à installer Sepura?**

Installation de Sepura .....	9-11
------------------------------	------

Alumer Sepura .....	12-13
---------------------	-------

Installation du bouton de Sepura .....	14
--	----

## **Utilisation de Sepura**

Utilisation de Sepura .....	15
-----------------------------	----

Lumières d'état .....	16-18
-----------------------	-------

Utilisation régulière .....	16
-----------------------------	----

Démarrage .....	16
-----------------	----

Avertissements .....	17
----------------------	----

Mises à jour des logiciels .....	17-18
----------------------------------	-------

Calibrage des bacs .....	18
--------------------------	----

Maintenance .....	19
-------------------	----

Dépannage .....	20
-----------------	----

# Démontage du broyeur

## AVERTISSEMENT

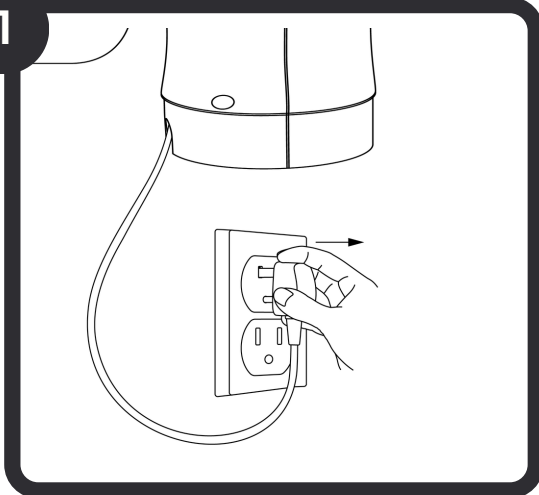
### Risque de choc

Coupez l'alimentation électrique au niveau de la boîte à fusibles ou du disjoncteur.

## ATTENTION

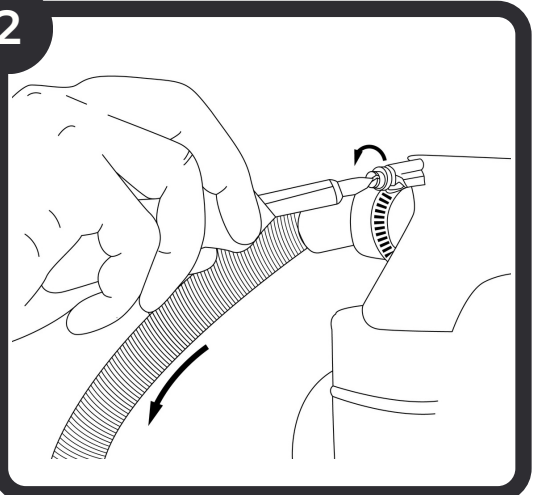
Nettoyer la conduite d'évacuation avant d'installer Sepura. Le non-respect de cette consigne peut entraîner le blocage de la conduite d'évacuation.

1



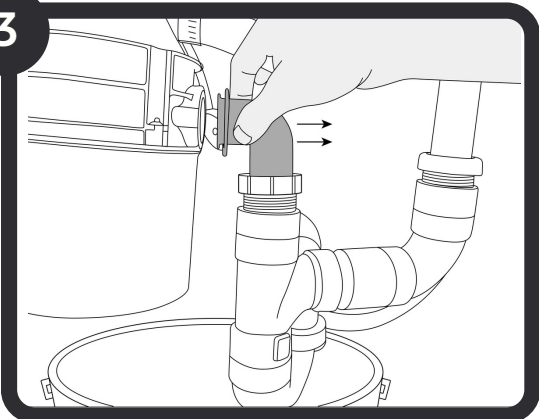
Débranchez votre ancien broyeur.

2



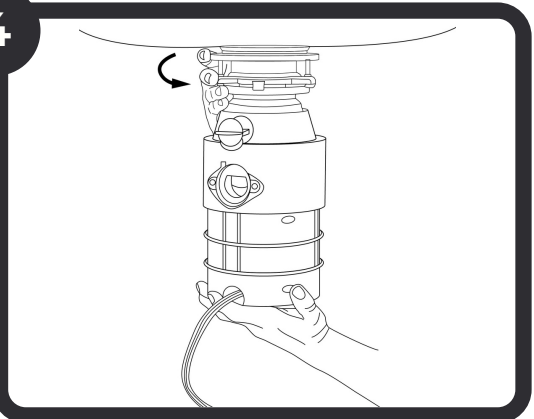
Débranchez le tube de vidange du lave-vaisselle (s'il est installé).

3



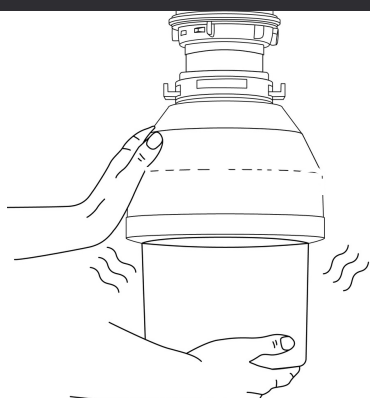
Débranchez le tuyau d'évacuation du reste de la plomberie (il se peut que de l'eau s'égoutte à ce stade, alors ayez un seau à portée de main).

4



Tournez l'anneau de fixation de l'évier pour libérer le broyeur (s'il est coincé, utilisez votre tournevis à l'intérieur des boucles pour faire levier). Le broyeur est lourd, alors préparez-vous à cela pour éviter d'endommager votre plomberie.

5

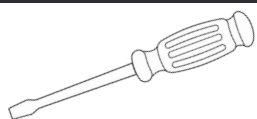


Dégagez l'appareil et retirez-le de sous votre évier.

## Installation du support

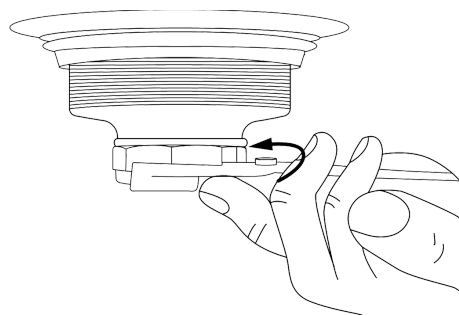
### CE DONT VOUS AUREZ BESOIN

Tournevis

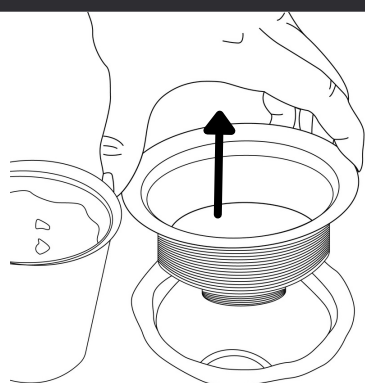


Mastic de plombier

A



B



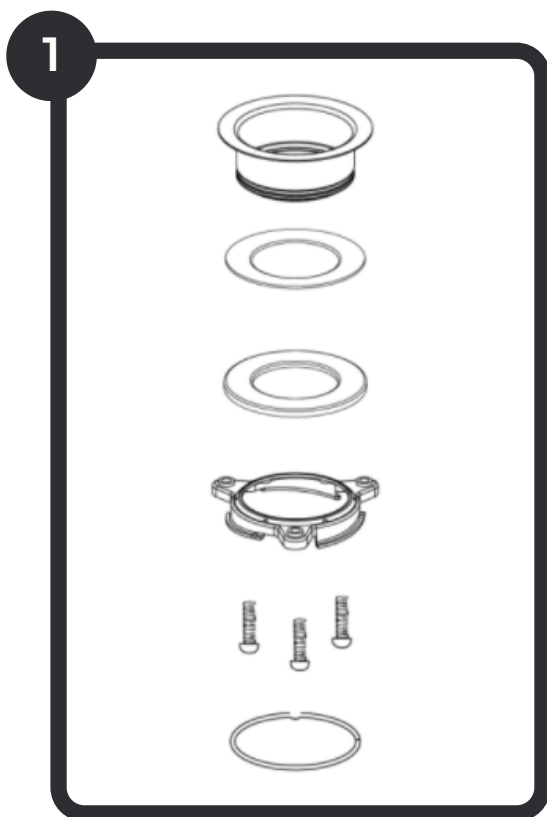
Retirez la bride en la poussant vers le haut sous celle-ci, puis en la retirant de l'intérieur de l'évier. Assurez-vous que les déchets alimentaires et les résidus de colle sont nettoyés et séchés avant de continuer.

Si nécessaire, retirez la crépine précédente de votre évier en :

- Assurez-vous que toute la plomberie en dessous est débranchée et hors de portée,
- dévissant l'écrou de la crépine sous l'évier pour libérer la bride de la crépine et la retirer.

# Installation du support (suite)

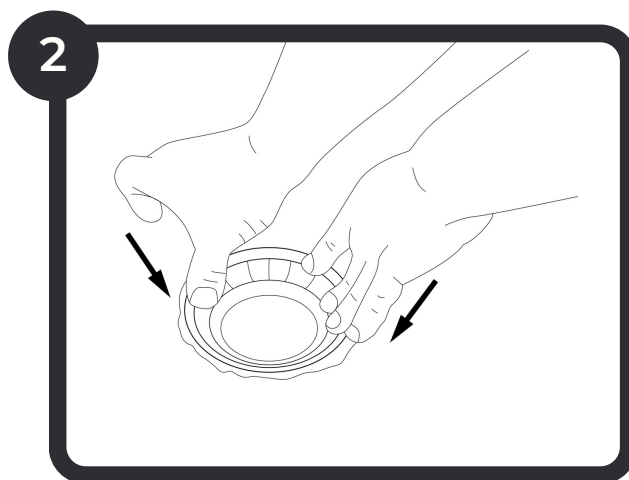
---



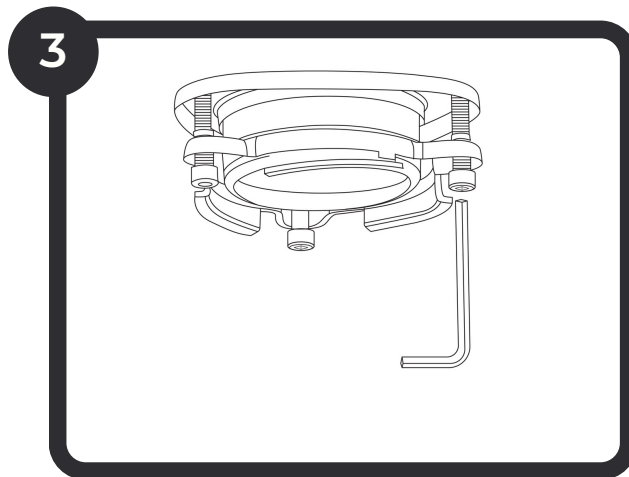
Vous pouvez maintenant prendre le support d'évier à 3 boulons dans la boîte. Séparez la bride en desserrant les trois boulons et en retirant le jonc.

## TIP

Vous pouvez retirer le jonc du support d'évier à l'aide d'un tournevis à tête plate.



Roulez le mastic de plombier en un rouleau fin et long et appliquez-le autour du côté inférieur de la bride. Centrez la bride dans votre évier et appuyez fermement pour créer un joint.

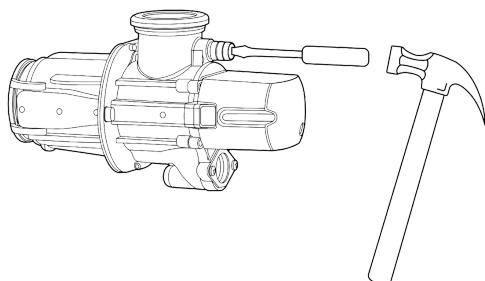


Allez sous votre évier et réassemblez les pièces du support comme elles l'étaient auparavant. Utilisez l'anneau élastique pour les verrouiller en place. Serrez les 3 boulons par incréments comme un pneu de voiture pour créer un espace régulier tout autour.

# Installation de Sepura

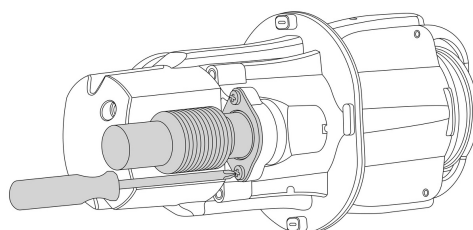
---

1



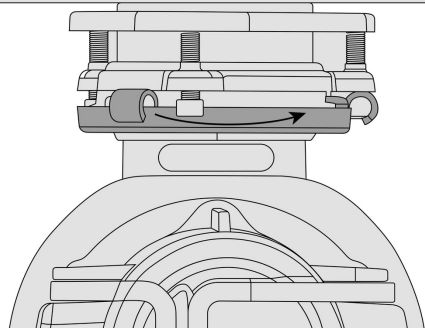
(FACULTATIF) Prenez le composant Séparateur de Sepura et si vous avez une évacuation de lave-vaisselle, faites sauter le bouchon avec votre marteau et votre tournevis.

2



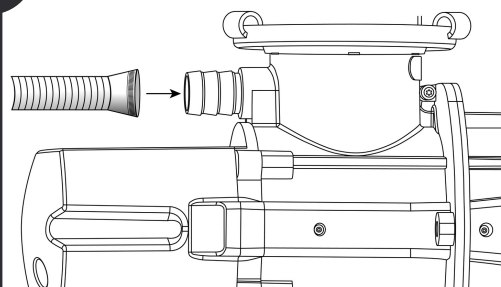
Fixez le tube de drainage flexible au bas du séparateur, en vous assurant qu'il est étanche. (Les boulons peuvent grincer lors de la fixation, c'est normal).

3



Placez le séparateur sous votre évier, la porte et le loquet de la valve face à vous. Raccordez-le à votre évier en vissant l'anneau inférieur sur le support d'évier à 3 boulons. Veillez à ce que le joint du séparateur soit en place (entre le support de l'évier et son orifice de vidange) et à ce que la bague du support soit bien serrée jusqu'à l'encoche, sinon des fuites peuvent se produire. Ensuite, raccordez le tube de vidange flexible à votre plomberie, en vous assurant qu'il est étanche.

4

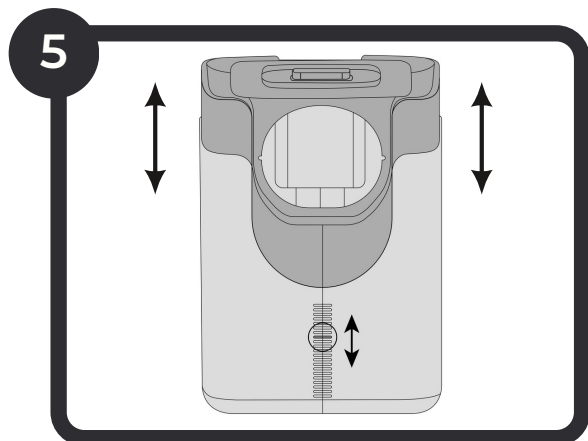


(FACULTATIF) Si vous avez une évacuation pour le lave-vaisselle, raccordez-la à l'entrée de l'évacuation du lave-vaisselle du séparateur. Assurez-vous que le bouchon a été enlevé à l'étape 1.



# Installation de Sepura (suite)

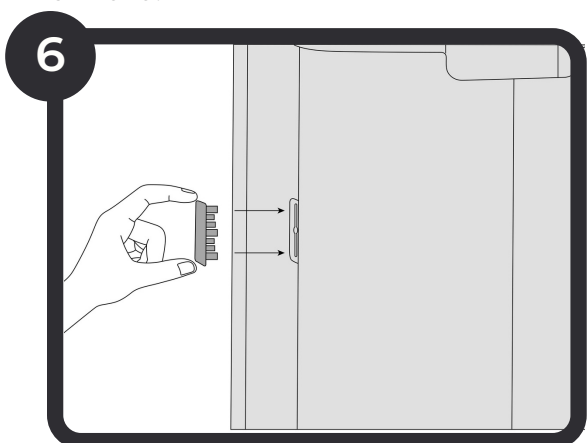
---



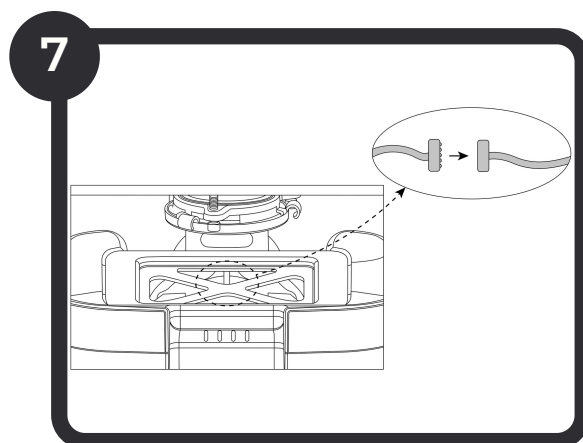
Maintenant, prenez le centre de collecte Sepura, retirez le seau et le couvercle à l'intérieur, et faites-le glisser en place avec la porte face à vous. Réglez sa hauteur en faisant glisser le compartiment supérieur jusqu'à ce que le composant Séparateur s'insère dans l'ouverture arrière.

**TIP**

Retirez l'ensemble de la porte/du plateau du centre de collecte à l'aide des languettes de dégagement rapide situées sur les rails afin de pouvoir travailler plus facilement.



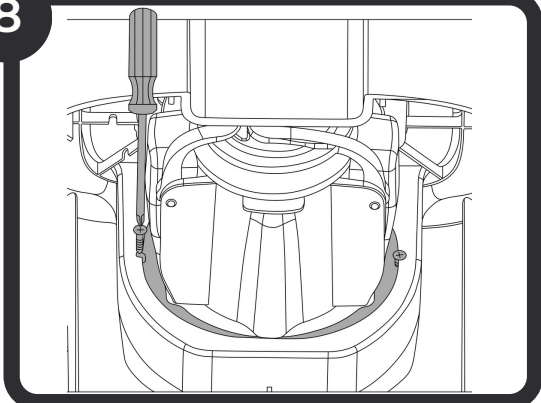
Une fois que vous avez atteint une hauteur permettant au séparateur de passer librement par l'ouverture arrière du centre de collecte, verrouillez la hauteur en place à l'aide des clips latéraux.



Appuyez le centre de collection contre l'anneau en mousse du séparateur. Ensuite, passez la main par l'ouverture située en haut pour vous assurer que le câble entre le séparateur and le centre de collection est connecté.

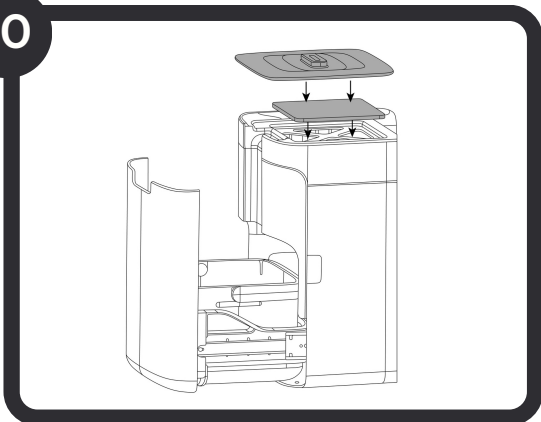
# Installation de Sepura (suite)

8



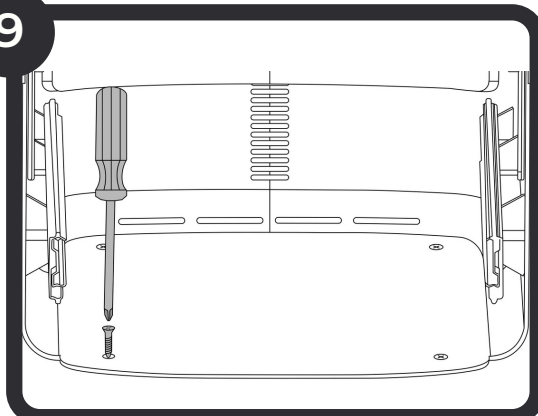
Assurez-vous que le centre de collection est appuyé contre l'anneau en mousse du séparateur pour créer un joint étanche à l'air, puis utilisez les 2 petites vis fournies pour fixer les deux ensemble.

10



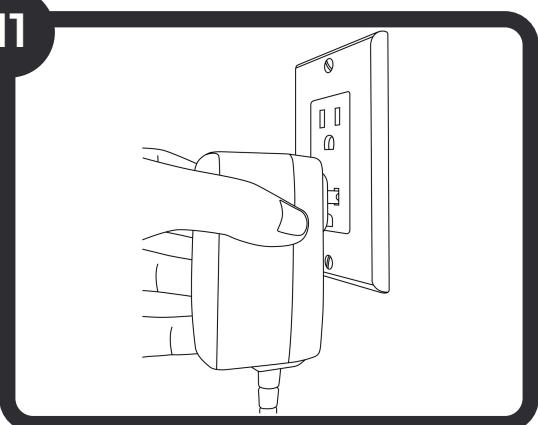
Réinstallez la porte si vous l'avez retirée, et placez le seau à l'intérieur. Retirez le filtre à charbon de son emballage et placez-le sur le centre de collection. N'oubliez pas de retirer le couvercle du seau et de le placer également sur le filtre à charbon.

9



Fixez le centre de collection dans la plinthe à l'aide des 4 vis à bois restantes.

11



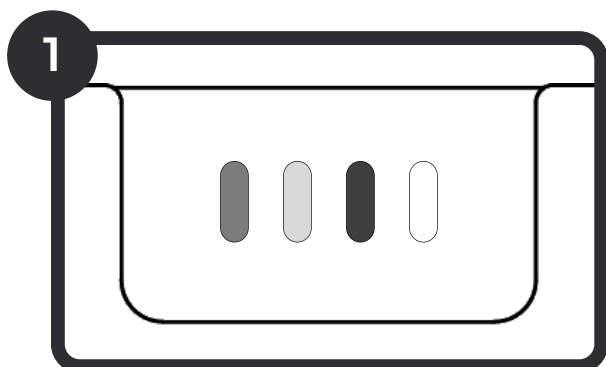
Branchez Sepura et vérifiez que votre prise murale est alimentée (elle peut maintenant rester allumée indéfiniment).

## Point de Contrôle

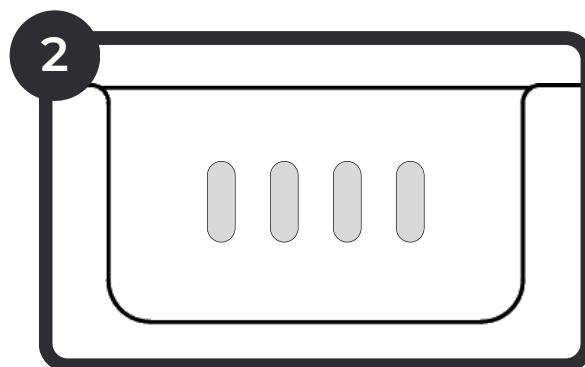
Les lumières sur le devant du centre de collection devraient maintenant être allumées ! Veuillez suivre les étapes suivantes pour terminer la configuration de Sepura.

# Alumer Sepura

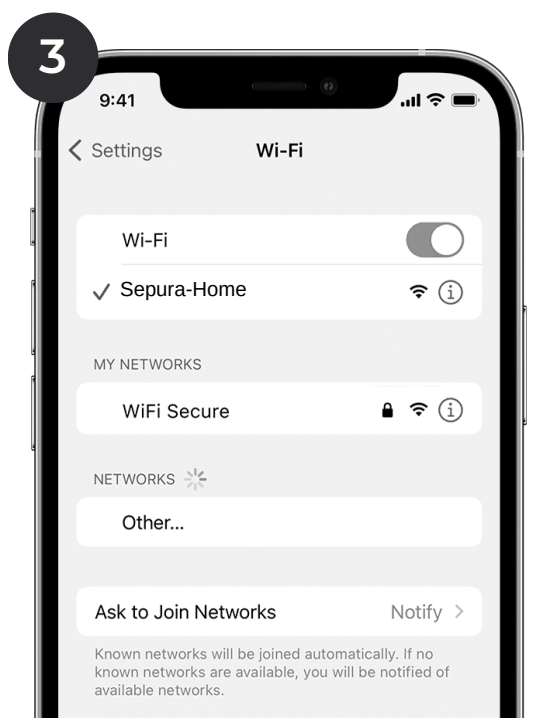
---



1 Une fois branché, vous remarquerez une animation lumineuse multicolore sur les lumières LED du centre de collection.



2 Sepura va ensuite créer un point d'accès pour se connecter au Wi-Fi. Sa progression sera indiquée par le chargement des lumières en vert. Une fois que le point d'accès est prêt, les lumières clignoteront lentement en vert.

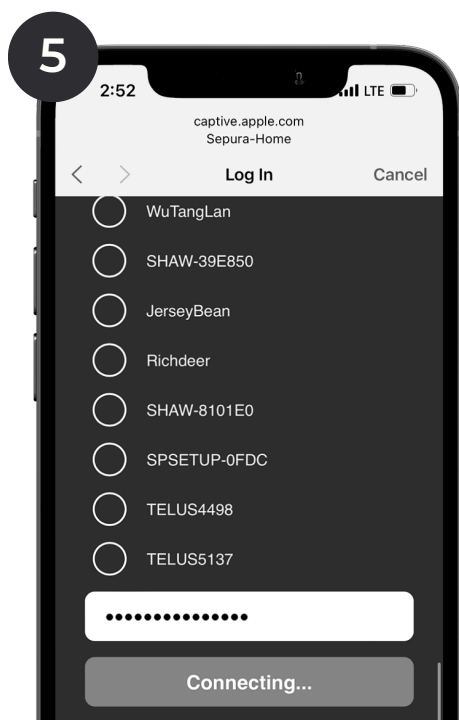


3 Ensuite, connectez Sepura au réseau Wi-Fi de votre domicile en allant dans les paramètres Wi-Fi de votre téléphone et en recherchant le réseau Sepura-Home. Selon les différents réseaux domestiques, cela peut prendre jusqu'à 10 minutes pour être visible.

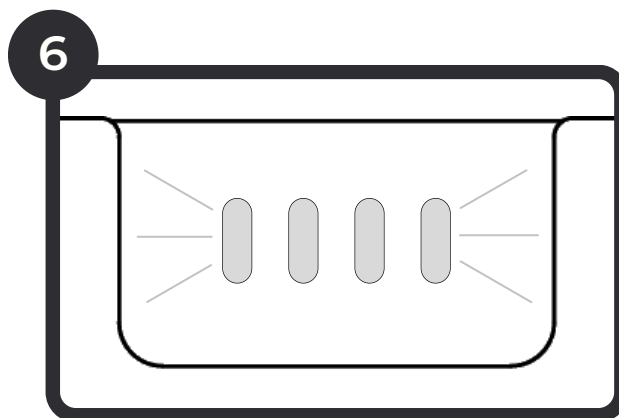


4 Une fois connecté, cela ouvrira notre page d'accueil. Si celle-ci ne s'ouvre pas automatiquement, vérifiez vos notifications ou utilisez l'adresse IP de votre modem dans la barre de recherche de votre navigateur (par exemple 192.168.1.1). Cela devrait vous rediriger automatiquement vers notre page d'accueil.

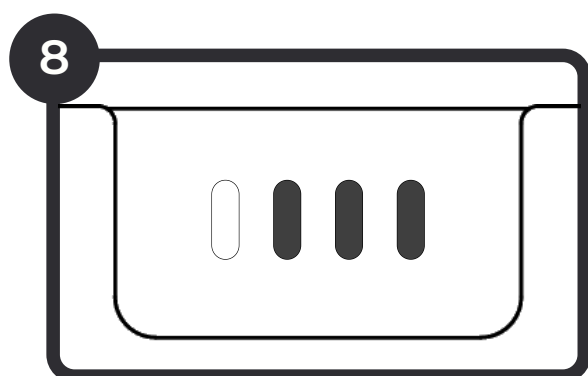
# Tourner sur Sepura



Une fois sur la page d'accueil, cliquez sur le bouton "Scan Wi-Fi", ce qui affichera une liste de tous les réseaux disponibles. Sélectionnez le réseau Wi-Fi de votre domicile (notez que seul le réseau 2,4 GHz est accepté), faites défiler la liste et entrez votre mot de passe Wi-Fi, puis cliquez sur Connecter.



Une fois la connexion établie, les voyants du centre de collection clignoteront en vert et un message apparaîtra également sur la page d'accueil pour indiquer que la connexion a réussi.



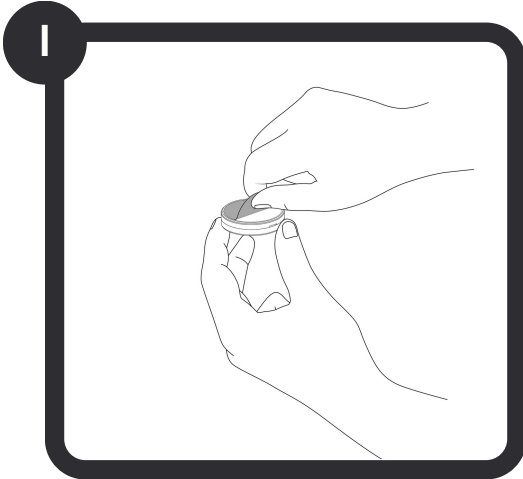
Pendant l'étalonnage, les voyants s'allument progressivement en blanc. Une fois l'étalonnage réussi, le premier voyant clignote en blanc, avant de rester allumé pour indiquer qu'il est maintenant en mode normal.

Ensuite, il est important de calibrer les capteurs à bord du centre de collection à sa nouvelle hauteur afin qu'il puisse afficher avec précision son niveau de remplissage. En restant sur la page d'accueil, cliquez sur le bouton "Calibrage du bac" pour le faire.

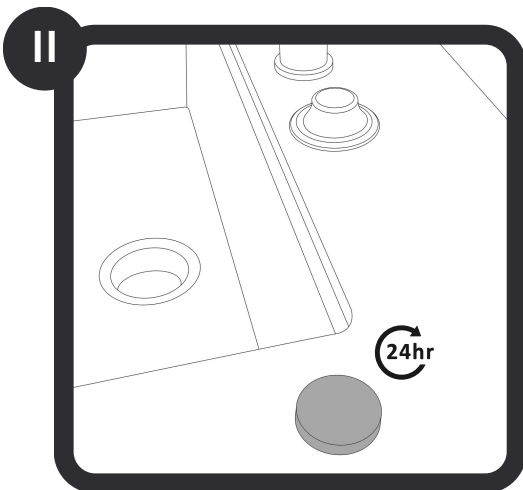
# Installation du bouton de Sepura

## Point de Contrôle

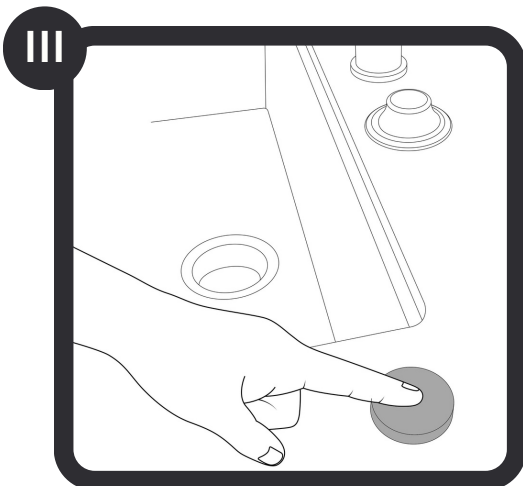
Décidez l'endroit où vous souhaitez placer votre bouton. Une fois placé, vous ne pouvez plus le déplacer. Veillez à ce que la zone soit nettoyée et complètement sèche.



Une fois que la zone est complètement sèche, retirez le support adhésif du bouton.



Appuyez fermement sur le bouton, face adhésive vers le bas, pour le mettre en place. Attendez 24 heures avant de mouiller à nouveau la zone.



Testez-le ! Votre unité Sepura est maintenant prête à être utilisée.

# Utilisation de Sepura

---

Votre unité Sepura apprend et s'améliore constamment grâce à des mises à jour en direct. Veuillez consulter le site [sepurahome.com/guide](http://sepurahome.com/guide) pour obtenir les informations les plus récentes.

## VEUILLEZ NOTER

Il n'est pas nécessaire de faire couler l'eau pendant que Sepura est allumé.

## ATTENTION - RISQUE DE BLESSURE

Bien que Sepura n'ait pas de lames, le fait de se coincer le doigt peut causer des blessures. Ne passez pas la main dans la canalisation avec vos mains nues.

### Mode normal

---

Pour faire fonctionner Sepura, il suffit de cliquer sur le bouton. Cela ouvrira la valve du séparateur et votre unité commencera le processus de séparation. Sepura s'éteindra de lui-même après quelques secondes, ou vous pouvez cliquer à nouveau sur le bouton pour l'éteindre plus tôt.

### Mode inondé

---

Si vous essayez de mettre Sepura en marche alors que le niveau d'eau de votre évier est trop élevé, Sepura gardera sa valve fermée pour empêcher les liquides de pénétrer dans le centre de collecte. Une fois qu'une quantité suffisante de liquide s'est écoulée, Sepura commencera alors le processus de séparation.

### Mode bloqué

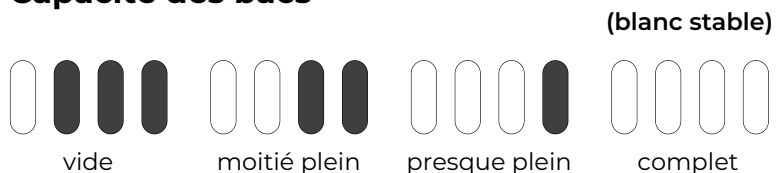
---

Si une trop grande quantité de déchets alimentaires ou un objet solide comme une fourchette tombe accidentellement dans le séparateur, Sepura essaie de se libérer. Si cela échoue, il recule, s'arrête et émet un son. Après avoir entendu le son, vous pouvez alors retirer l'objet.

# Lumières d'état

## Utilisation régulière

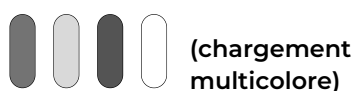
### Capacité des bacs



Des lumières blanches indiquent le degré de remplissage du bac à l'intérieur du centre de collecte.

## Démarrage

### Démarrer



Pendant le démarrage de Sepura, une animation lumineuse s'affiche en bleu, vert, rose et blanc.

### Création du point d'accès



Pendant que Sepura crée son hotspot Wi-Fi, les lumières s'allument progressivement en vert.

### Le point d'accès est actif



Une fois le hotspot Sepura-Home créé, les lumières clignoteront lentement en vert.

### Connexion réussie au réseau Wi-Fi de la maison



Après avoir connecté Sepura au réseau Wi-Fi de votre maison, les lumières clignoteront deux fois en vert lorsque la connexion sera réussie.

---

# Avertissements

## Centre de collection est trop plein



Les lumières clignoteront en blanc lorsque le bac dans le centre de collection est plein.

## Coincé



Si Sepura est bloqué, les lumières clignoteront en rouge jusqu'à ce que vous retiriez en toute sécurité l'objet qui l'obstrue.

## Inondé



Si l'évier est plein d'eau, les lumières clignoteront en jaune jusqu'à ce que Sepura soit à nouveau libre de fonctionner.

## Quelque chose s'est mal passé



Si les voyants sont rouges, redémarrez Sepura en cliquant 4 fois sur le bouton, en attendant que les lumières deviennent violettes, puis en cliquant une fois de plus sur le bouton.

---

# Mise à jour du logiciel

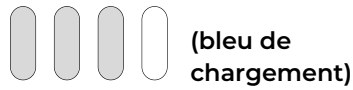
## Pression longue (10 secondes)



Appuyez sur le bouton et maintenez-le enfoncé jusqu'à ce que les lumières blanches clignotent une fois pour lancer la mise à jour par voie aérienne.

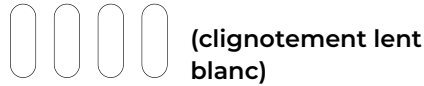


### Connexion au Wi-Fi



Les lumières s'allument progressivement en bleu au fur et à mesure que Sepura se connecte au Wi-Fi de votre maison.

### Mise à jour de



Alors que Sepura fait l'objet d'une mise à jour aérienne, les lumières respireront en blanc.

### Mise à jour réussie



Une fois que Sepura a été mis à jour avec succès, les lumières clignoteront en blanc.

---

## Calibrage du bac

### Pression extra longue (15 secondes)



Appuyez sur le bouton et maintenez-le enfoncé jusqu'à ce que les lumières blanches clignotent deux fois pour lancer l'étalonnage.

### Calibrage



Pendant que le centre de collecte se calibre, les lumières s'allument progressivement en blanc.

### Étalonnage réussi



Une fois l'étalonnage réussi, la première lumière clignotera en blanc.

# Maintenance

---

## Filtre à charbon

---

Nous vous recommandons de remplacer le filtre à charbon tous les 3 mois, ou plus tôt si les odeurs deviennent perceptibles.

## Sacs / doublures

---

Sepura peut être utilisé avec ou sans sacs. Si vous utilisez des sacs, n'oubliez pas de les changer avant qu'ils ne commencent à se dissoudre au fond.

## Nettoyage

---

Votre unité Sepura ne nécessite aucun nettoyage interne. Le composant Separateur se nettoie lui-même à chaque fois que vous le faites fonctionner.

## Puissance

---

Gardez toujours Sepura sous puissance. Sepura est un appareil à très faible puissance et doit être maintenu sous puissance en permanence.

# Soutien

---

## Desservant

Un membre de notre équipe d'assistance à la clientèle se fera un plaisir de vous aider à résoudre les problèmes que vous pourriez rencontrer. Si vous n'avez pas acheté votre appareil Sepura directement sur [sepurahome.com](http://sepurahome.com), veuillez prendre contact avec le détaillant chez qui vous avez acheté votre appareil. Veuillez indiquer votre numéro de commande lorsque vous contactez notre équipe. Ou, visitez [sepurahome.com/guide](http://sepurahome.com/guide).

**Pour le support technique:**

[support@sepurahome.com](mailto:support@sepurahome.com)

**Pour les questions d'ordre général:**

[info@sepurahome.com](mailto:info@sepurahome.com)

## Garantie

Chaque Sepura est livré avec une garantie de fabrication d'un (1) an. Cette garantie couvre tout défaut qui rendrait le produit inutilisable, causé par une erreur dans notre processus de fabrication.

Il est de l'obligation de l'utilisateur de ne pas altérer le produit de quelque manière que ce soit. Cela annulerait la garantie. Le client devra présenter le reçu d'achat original au moment de la demande de garantie.

Exclusions : Cette garantie ne couvre pas les dommages dus à un accident, un incendie, une inondation et/ou d'autres catastrophes naturelles, une mauvaise utilisation, une tension de ligne incorrecte, une installation incorrecte, des réparations incorrectes ou non autorisées, une utilisation commerciale ou des dommages survenus pendant le transport.

Les réglages effectués par le client, qui sont expliqués dans ce manuel, ne sont pas couverts par les termes de cette garantie. Cette garantie sera automatiquement annulée pour tout appareil dont le numéro de série est manquant ou altéré. Cette garantie est valable uniquement pour les produits achetés et utilisés au Canada et aux États-Unis.