

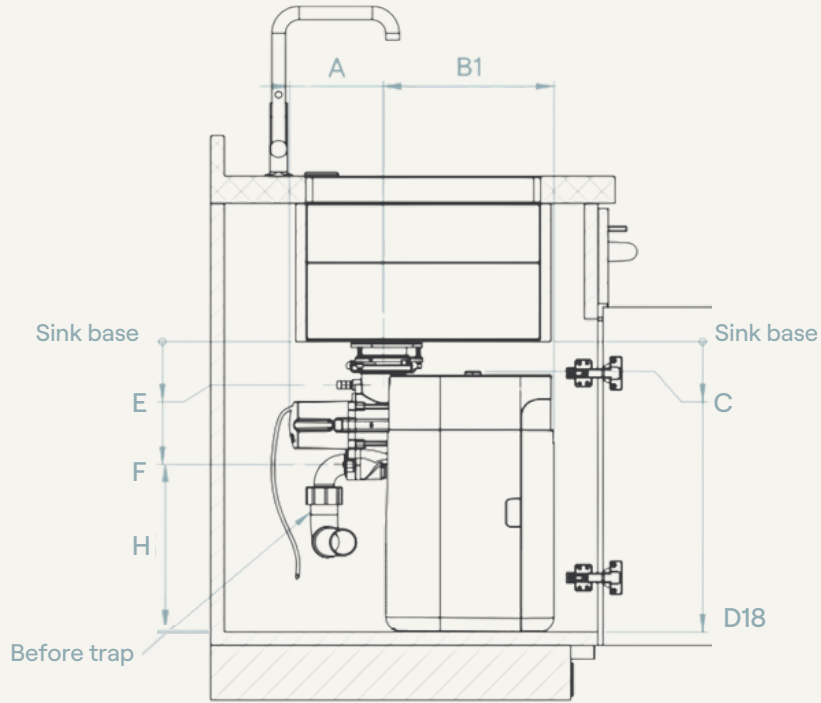
Downloadable Specs

Bin Volume	2.6gallons/10L
Collection Center Dimensions	15.25in/39cm - 20.25in/51cm [height], 11in/28cm [width], 12.5in/32cm [depth]
Aperture diameter	3in/7.6cm
Sink mount adapter	Universal 3-Bolt Mount Sink Flange Kit (included)
Dishwasher adapter	0.5in/1.27cm ID barbed hose adapter (optional)
Drain pipe	Standard 1.5in/3.81cm discharge pipe
Power source	Standard wall plug [AC 100-240V ~1.6A 50-60Hz]
Power consumption	60Watts when running, daily average: 0.67Wh
Collection Center Filter	Replaceable activated charcoal 0.2in/0.5cm [thickness] filter



Installation Drawings

Attention: your drain pipe exiting the cabinet must be located within dimension 'H' i.e. below the separator's drain (dimension 'F'). Your Sepura must drain downhill.



DIMENSION	VALUE	DESCRIPTION
A	175mm 6.9in	drain center to furthest point back
B1	318mm 12.5in	drain center to furthest point of
B2	606mm 23.8in	collection center (closed and opened)
C	56mm 2.2in	bottom of sink to top of collection center
D1 -	441mm 17.3in	space needed under sink (adjustable)
D22	567mm 22.3in	
E	80mm 3.2in	bottom of sink to dishwasher drain adapter
F	230mm 9.0in	bottom of sink to Sepura drain outlet
G	336mm 13.2in	width of collection center
H	$H = D - 9in$	minimum drain pipe height required

