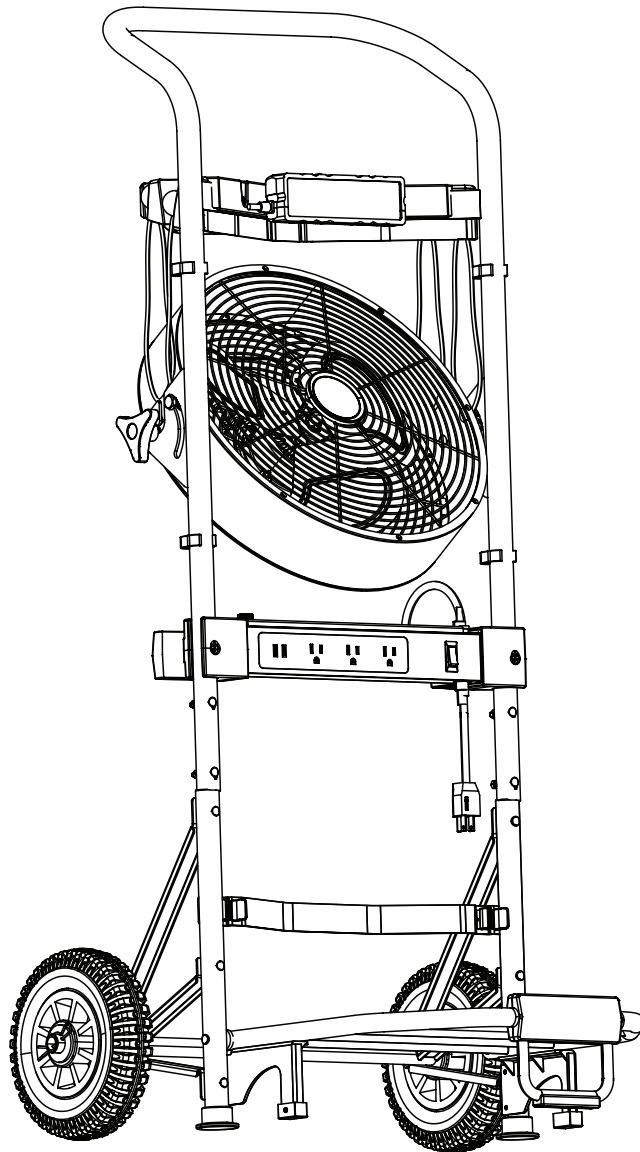




MULEPRODUCTS.COM

# MOBILE WORKSHOP

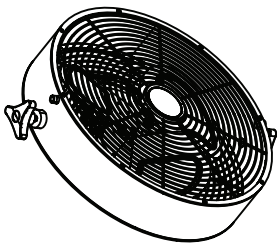
Model #52000



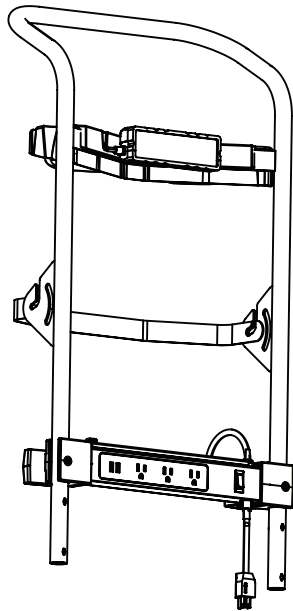
To obtain service, please contact Customer Service: 1-(877) 289-8692, 8 a.m. - 5 p.m. Central Time, Monday - Friday.

# PACKAGE CONTENTS

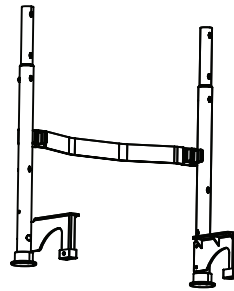
Ensure all of the Package Contents and Hardware Contents are included before attempting to assemble the product.



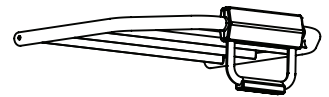
Fan Assembly



Upper Frame



Lower Frame



Loading Arm



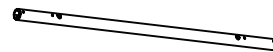
Wheel (x2)



Axle Support  
(x2)



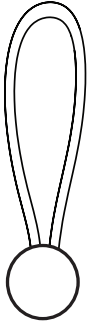
Axle Brace (x2)



Axle

## HARDWARE CONTENTS (not drawn to scale)

**A**



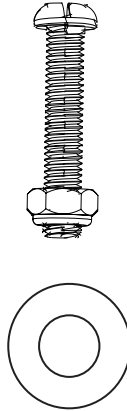
Tool Loop  
Qty.4

**B**



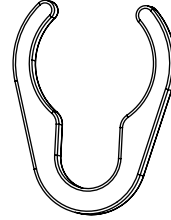
Short Screw  
& Hex Nut  
Qty. 12 ea.  
+ 1 extra

**C**



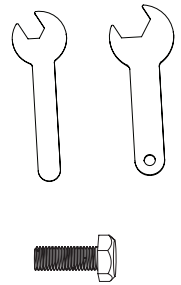
Long Screw,  
Washer & Hex  
Nut  
Qty. 2 ea.

**D**



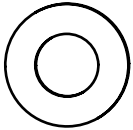
Cord Clips  
Qty. 4

**E**



Black Wrench (x1)  
Silver Wrench (x1)  
M8 Screw Qty. 2

**F**

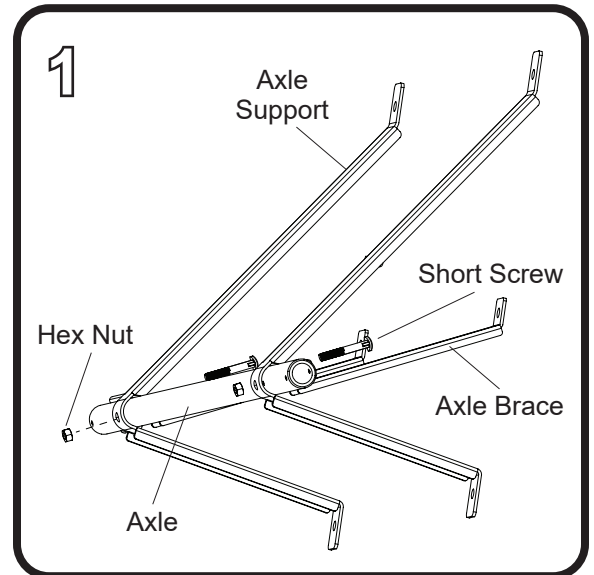


Washer & Cotter  
Pin  
Qty. 4 ea.

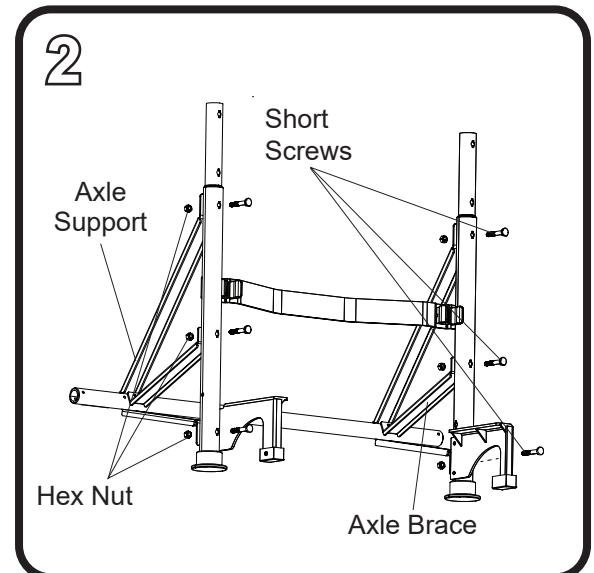
# ASSEMBLY INSTRUCTIONS

1. Use silver wrench (included) to secure the axle to the axle supports & axle braces using two short screws & hex nuts from hardware bag (B).

**Note:** The holes in one side of the axle are larger than the other side. Insert the short screw in the larger hole so that it exits the smaller hole which is adjacent to the axle support.

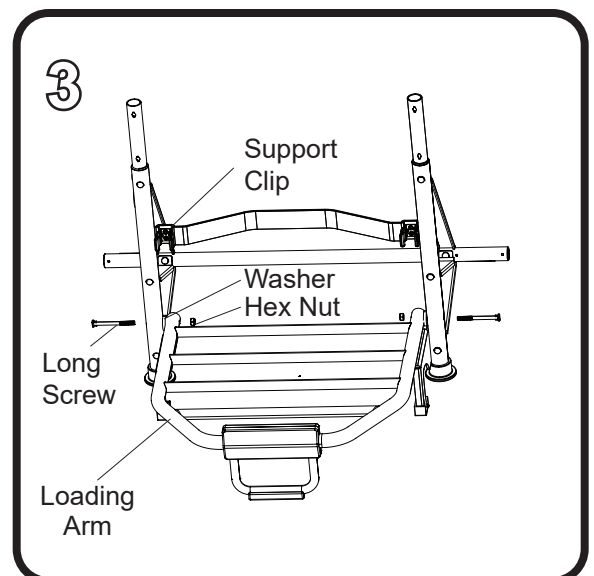


2. Secure the axle supports & axle braces to the lower frame using six short screws & hex nuts from hardware bag (B). **Note:** Use the silver wrench for all hex nuts for short screws.



3. Insert the loading arm into the support clips. Then align the holes in the loading arm with the holes in the lower frame and secure with two long screws, washers, and hex nuts from hardware bag (C). **Note:** Use the silver wrench for hex nuts for long screws.

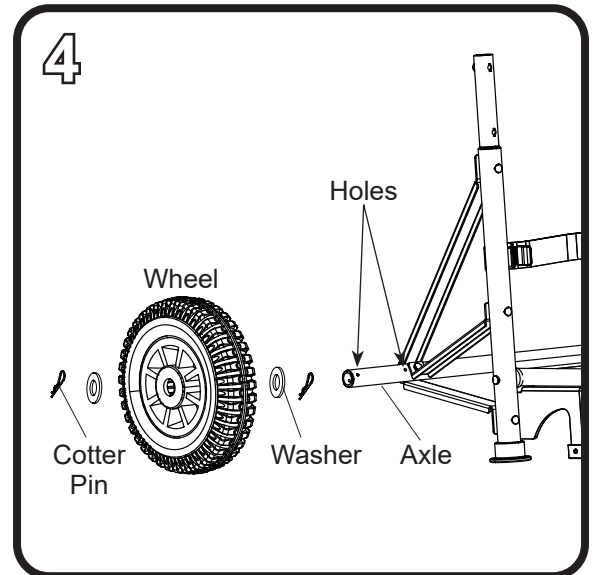
**Note:** Loading arm is shown in the lowered position for visibility. It may be easier to align holes and insert screws and washers when the loading arm is inserted in the support clips.



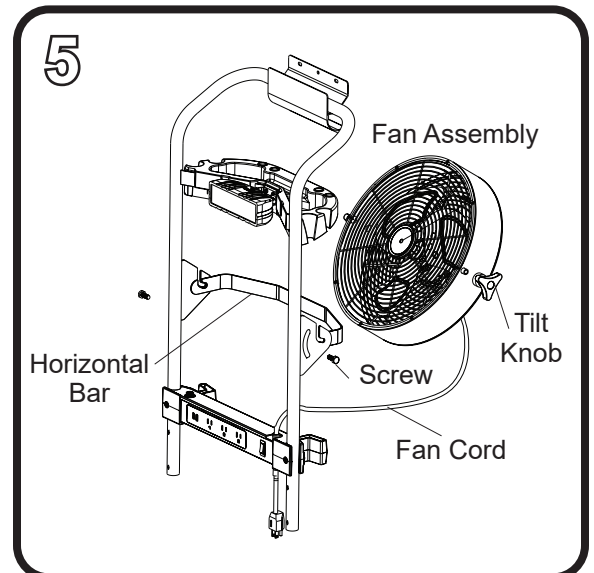


## ASSEMBLY INSTRUCTIONS

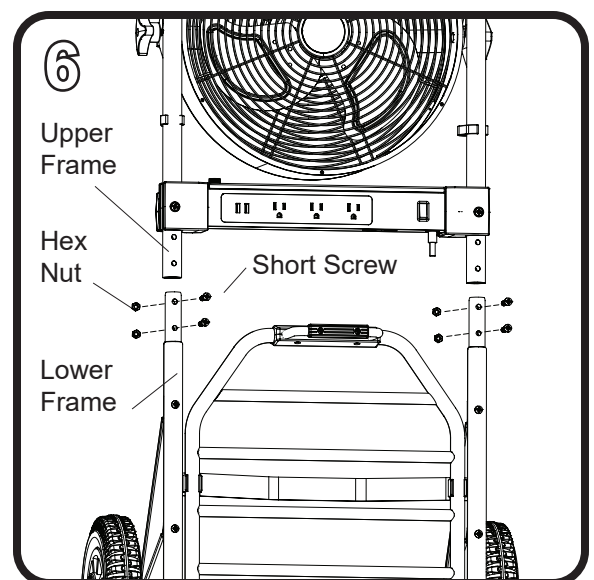
4. Feed the axle through the center holes in the two washers from hardware bag (F) and the wheel in the order shown above. Slide the two cotter pins from hardware bag (F) in the holes in the axle to secure. Repeat for other wheel.



5. Loosen the tilt knobs and lift the fan assembly into the brackets. Secure with the two M8 screws from hardware bag (E). **Note:** Use the black wrench. **Important:** Ensure fan cord is outside of horizontal bar during installation.

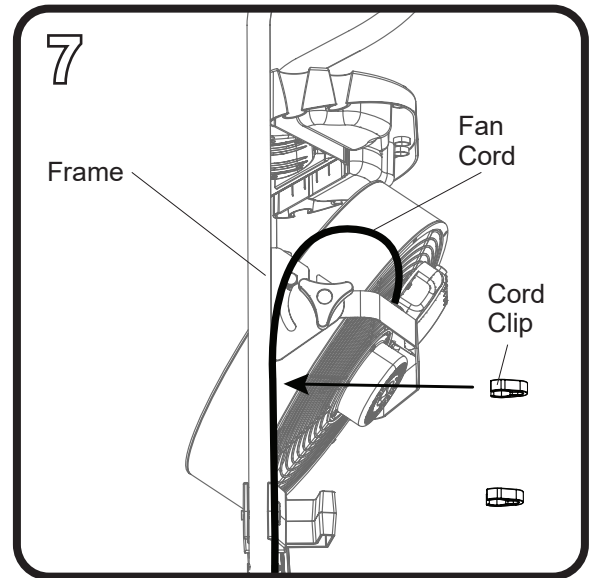


6. Slide the tubes of the upper frame over the tubes of the lower frame and use four short screws and hex nuts from hardware bag (B) to secure.

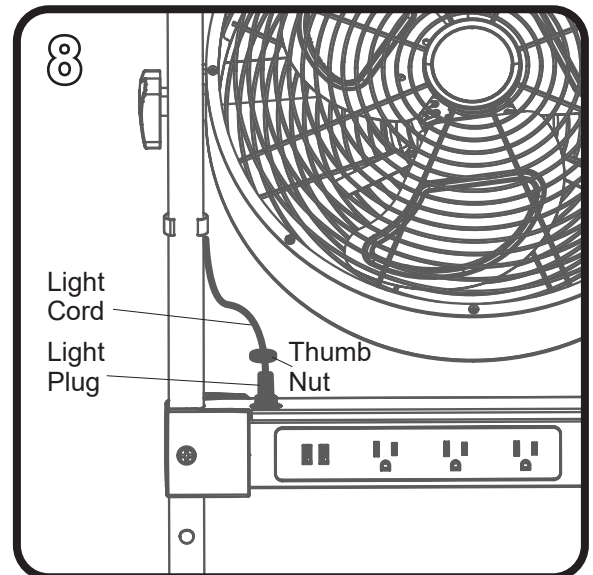


## ASSEMBLY INSTRUCTIONS

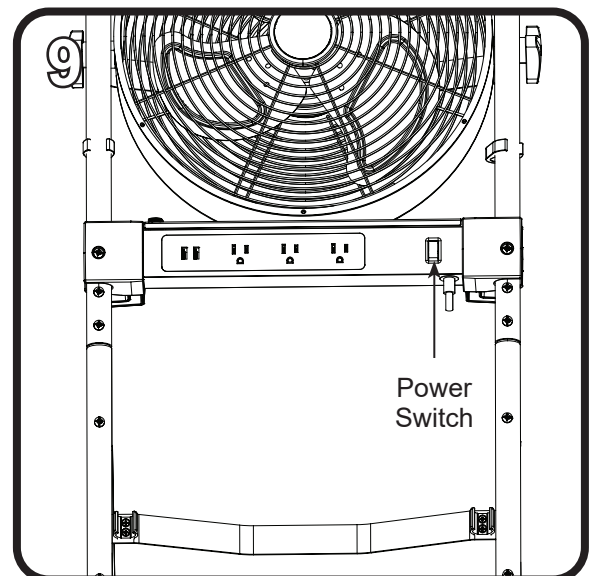
- Secure the fan cord to the vertical tube of the frame using two cord clips. Use the other two cord clips to secure the light cord. **Note:** Avoid clipping the cord clips over the "MULE" logo decals as the clip may damage the logo.



- Plug the light cord into the top of the power strip. Then twist the preassembled thumb nut clockwise to secure the plug.

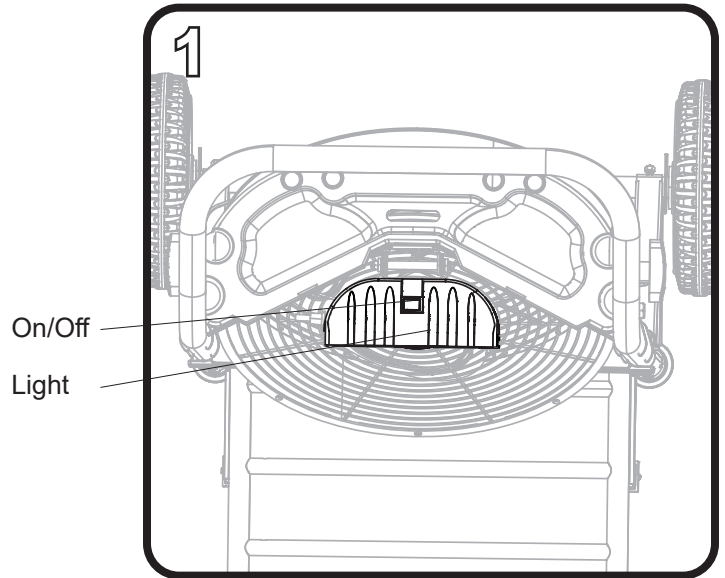


- Plug main power cord into a grounded 120V outlet. Turn on power switch.



# OPERATING INSTRUCTIONS

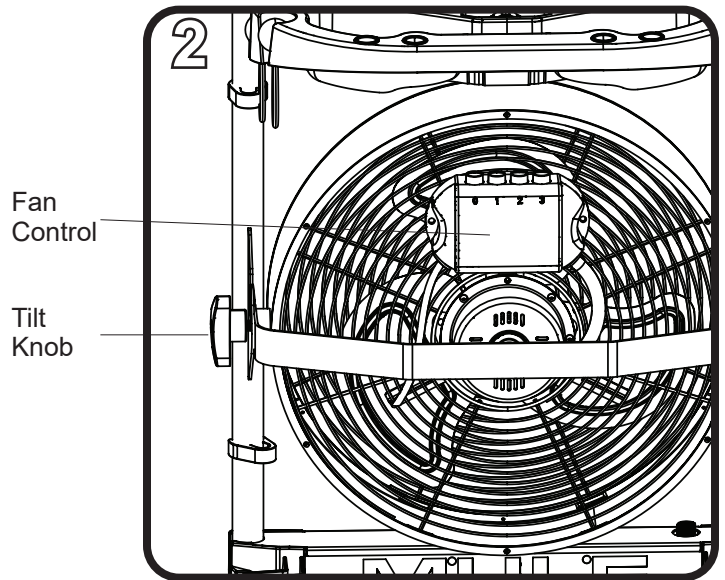
1. **LIGHT** - The toggle switch on top of the light turns light on/off. To adjust the direction of light, tilt light up or down. **Note:** The power switch on the power strip must be ON for the light to operate.



2. **FAN** - The fan control is located on the back side of the fan. The fan has four settings:

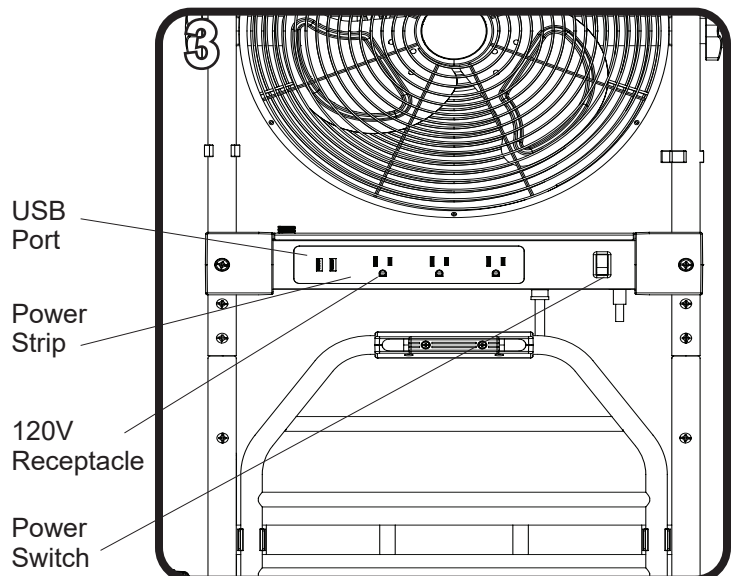
- 0 - Off
- 1 - Low Speed
- 2 - Medium Speed
- 3 - High Speed

Use tilt knobs to adjust fan position. Loosen tilt knob by turning counterclockwise, adjust fan, and retighten tilt knob.



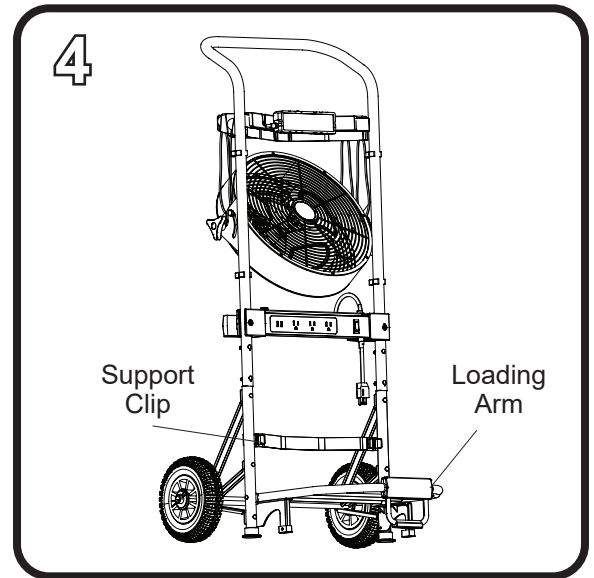
3. **POWER STRIP** - The power strip has three 120V receptacles, two USB ports, and the power strip switch.

**Note:** USB ports have max. total of 2.4A.  
Receptacles have a max. total of 15A.

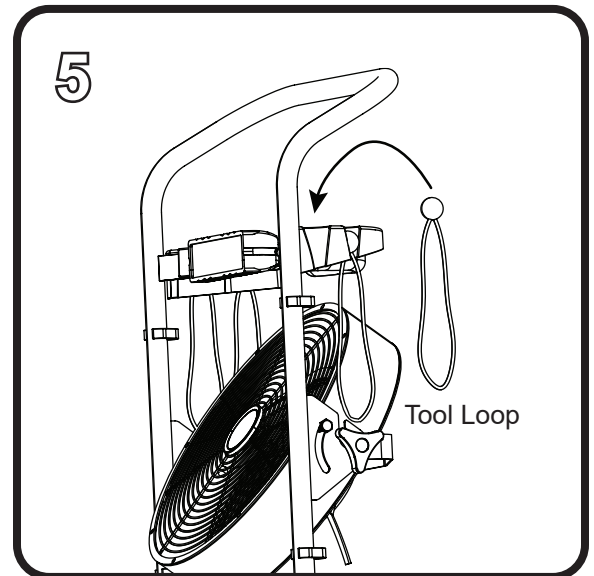


## OPERATING INSTRUCTIONS

4. **LOADING ARM** - The loading is designed to carry light loads (up to 300 lb). It can be folded up for storage by lifting the loading arm and pressing its side rails into the support clips located on the tubing of the lower frame.



5. **TOOL LOOPS** - Use elastic loops from hardware bag (A) to connect to tools, extension cords, etc. Then drop the ball-end of the tool loop into the slots in the backside of the tool tray for convenient storage.



# SAFETY INFORMATION

**READ CAREFULLY AND SAVE THE FOLLOWING INSTRUCTIONS BEFORE OPERATION.**

## **CAUTION:**

- Suitable for indoor, commercial/light industrial use. Use only grounded 120V outlet.
- Indoor use only, do not use outdoor. Do not place the fan in or near window. Rain may create an electrical hazard.
- Keep the fan out of the reach of children. This fan is not for use by children.
- Do not leave the fan running unattended.
- Never insert fingers or other objects through the guards when fan is running.
- To disconnect from power, grip plug and pull from wall outlet. Never yank on cord. Never plug/unplug with wet hands.
- Unplug the plug when moving the unit from one location to another.
- Unplug the unit when opening the guard grilles for cleaning.
- Do not operate any fan with a damaged cord or plug. Discard fan or return to an authorized service facility for examination and/or repair.
- Do not run cord under carpeting. Do not cover cord with throw rugs, runners, or similar coverings. Do not route cord under furniture or appliances. Arrange cord away from traffic area and where it will not be tripped over.
- Only plug the unit into a power outlet with the same voltage as rated voltage of it.
- Never operate the fan without fan guard in place, as serious personal injury may result.
- If the power cord is damaged, it must be replaced by the manufacturer or its service agent or a similarly qualified person in order to avoid a hazard.

## **WARNING:**

- Only use this fan as described in this manual, other non recommended use may cause fire, electric shock, or injury.
- To protect against electrical shock, do not immerse unit plug or cord in water or spray with liquids.
- Do not operate in the presence of explosive and/or flammable fumes.
- Do not immerse or expose the motor housing, power cord, or plug to water or other liquids. Do not use the fan near a bathtub, a shower, a swimming pool, or anywhere water could splash it.
- To reduce the risk of fire or electric shock, DO NOT use this fan with any solid-state speed control devices.
- To reduce the risk of fire or electrical shock, do not use this fan with any solid state speed control device. This appliance has a 3-prong plug. To reduce the risk of electrical shock, this plug is intended to fit in an outlet only one way. If this does not fit the outlet, contact a qualified electrician. Do not attempt to bypass this procedure.

## TROUBLESHOOTING

**Fan does not work** - Ensure the main power cord is plugged into a 120V receptable and fan control switch on back of fan is turned on.

**Light does not work** - Press the toggle switch on top of the light. Ensure the light cord is plugged into the top of the power strip. Ensure the main power cord is plugged into a 120V receptable and the power switch is on.

**Power strip does not work** - Ensure the power switch is on. Ensure the main power cord is plugged into a 120V receptable. Ensure the power strip is not overloaded (USB ports have max.total of 2.4A. Receptacles have a max. total of 15A).

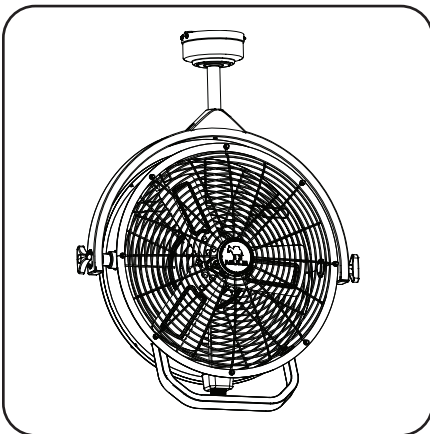
## WARRANTY

The manufacturer warrants all of its utility fans against defects in materials and workmanship for one (1) year from the date of purchase. If within this period the product is found to be defective, take a copy of the bill of sale as a proof of purchase and the product in its original carton to the place of purchase. The manufacturer will, at its option, repair, replace or refund the purchase price to the consumer. All costs of installation and removal of the fixture is the responsibility of the consumer. This warranty does not cover utility fans becoming defective due to misuse, accidental damage or improper handling and/or installation and specifically excludes liability for direct, incidental or consequential damages. As some states do not allow exclusions of limitations on an implied warranty, the above exclusion and limitation may not apply. This warranty gives you specific rights and you may also have other rights which may vary from state to state.

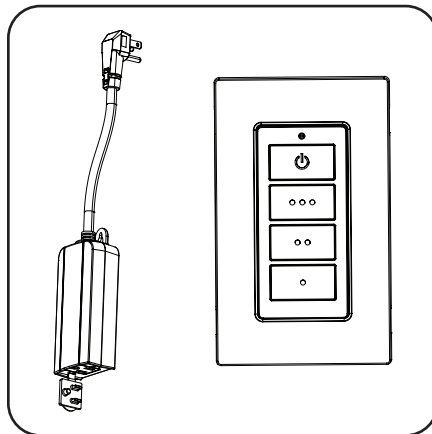
## CUSTOMER SERVICE

To obtain service, please contact Customer Service: 1-(877) 289-8692, 8 a.m. - 5 p.m. Central Time, Monday - Friday.

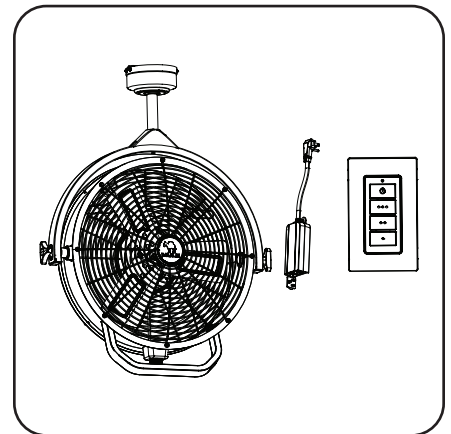
## ADDITIONAL MULE PRODUCTS



Garage Fan  
Model #52007



Accessory Remote  
Model #52003



Garage Fan with Remote  
Model #52006

To order additional Mule products, visit [MULEPRODUCTS.COM](http://MULEPRODUCTS.COM). Follow us on social media at:

 [FACEBOOK.COM/GETTHEMULE](https://www.facebook.com/GETTHEMULE)

 [YOUTUBE.COM/@GETTHEMULE](https://www.youtube.com/@GETTHEMULE)

 [TIKTOK.COM/@GETTHEMULE](https://www.tiktok.com/@GETTHEMULE)

 [INSTAGRAM.COM/GETTHEMULE](https://www.instagram.com/GETTHEMULE)

 [TWITTER.COM/GETTHEMULE](https://www.twitter.com/GETTHEMULE)

 [PINTEREST.COM/GETTHEMULE](https://www.pinterest.com/GETTHEMULE)